



US00D796703S

(12) **United States Design Patent** (10) **Patent No.:** **US D796,703 S**  
**Pratt** (45) **Date of Patent:** **\*\* Sep. 5, 2017**

(54) **LIGHT**

(56) **References Cited**

(71) Applicant: **Railblaza Limited**, Silverdale, Auckland (NZ)

U.S. PATENT DOCUMENTS

(72) Inventor: **Ross Gregory Pratt**, Auckland (NZ)

D581,556 S *	11/2008	To .....	D26/2
D600,367 S *	9/2009	Bertram .....	D26/2
D601,278 S *	9/2009	Takahashi .....	D26/2
D617,918 S *	6/2010	Yamamoto .....	D26/2
D651,326 S *	12/2011	Lai .....	D26/2
D663,869 S *	7/2012	Choi .....	D26/2

(73) Assignee: **Railblaza Limited** (NZ)

(\*\*) Term: **15 Years**

\* cited by examiner

(21) Appl. No.: **29/564,359**

*Primary Examiner* — Marcus Jackson

(22) Filed: **May 12, 2016**

(74) *Attorney, Agent, or Firm* — Miskin & Tsui-Yip LLP; Gloria Tsui-Yip, Esq.

(30) **Foreign Application Priority Data**

(57) **CLAIM**

Nov. 13, 2015 (AU) ..... 201516060

The ornamental design for a light, as shown and described.

(51) **LOC (10) Cl.** ..... **26-04**

**DESCRIPTION**

(52) **U.S. Cl.**

USPC ..... **D26/2**

(58) **Field of Classification Search**

USPC ..... D26/1-4; 313/313, 315, 316, 317, 318, 313/493; 315/52, 53, 56, 57, 58

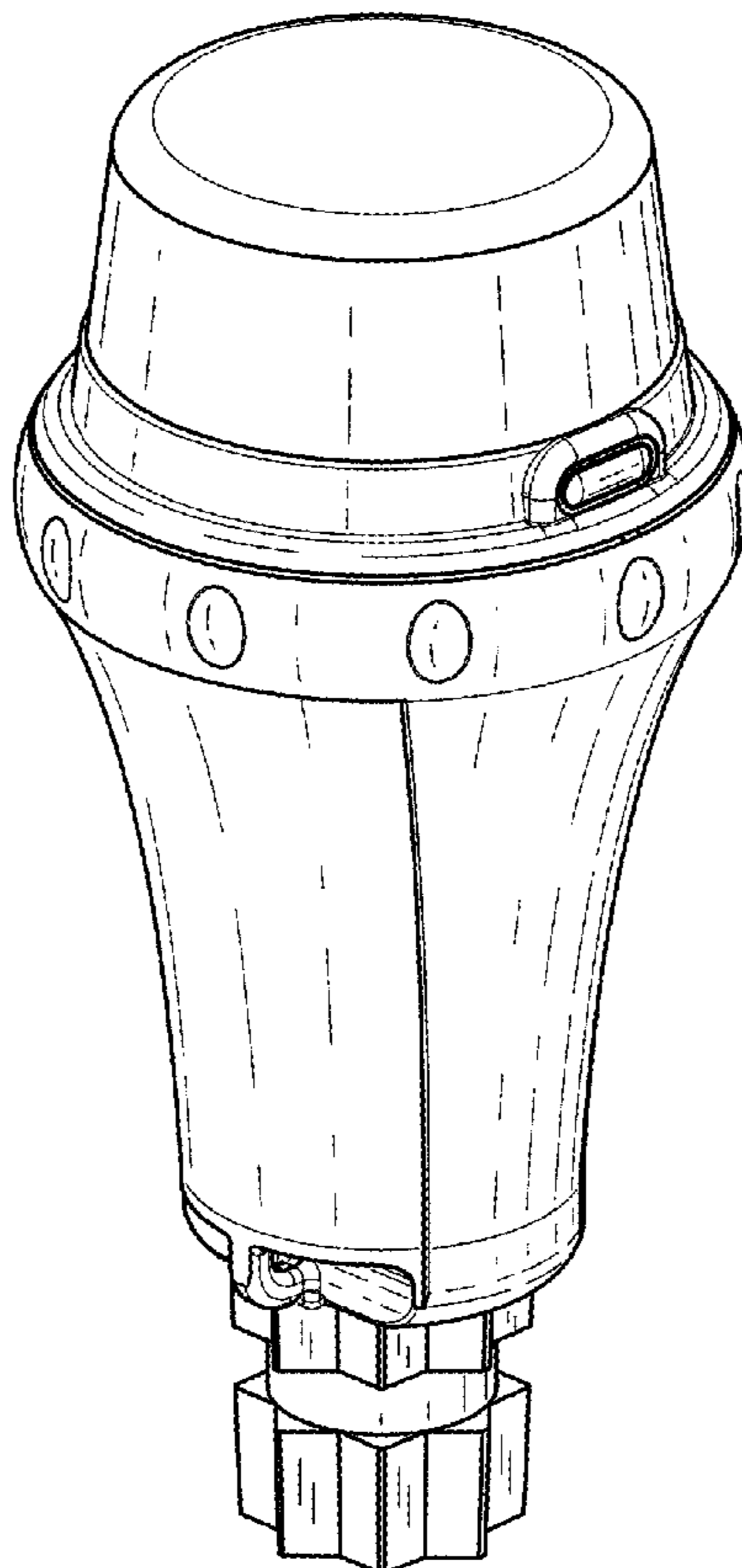
CPC ..... H01R 5/00; H01R 13/46; H01R 13/514; H01R 31/048; H01R 31/02; H01J 5/00;

H01J 5/16; H01J 15/00; H01J 5/48; H01J 5/50; H01J 19/54; F21V 5/00

See application file for complete search history.

FIG. 1 is a front elevational view of my new design;  
FIG. 2 is a rear elevational view thereof;  
FIG. 3 is a left side view thereof;  
FIG. 4 is a right side view thereof;  
FIG. 5 is a top plan view thereof;  
FIG. 6 is a bottom plan view thereof;  
FIG. 7 is a perspective view thereof; and,  
FIG. 8 is another perspective view thereof.

**1 Claim, 5 Drawing Sheets**



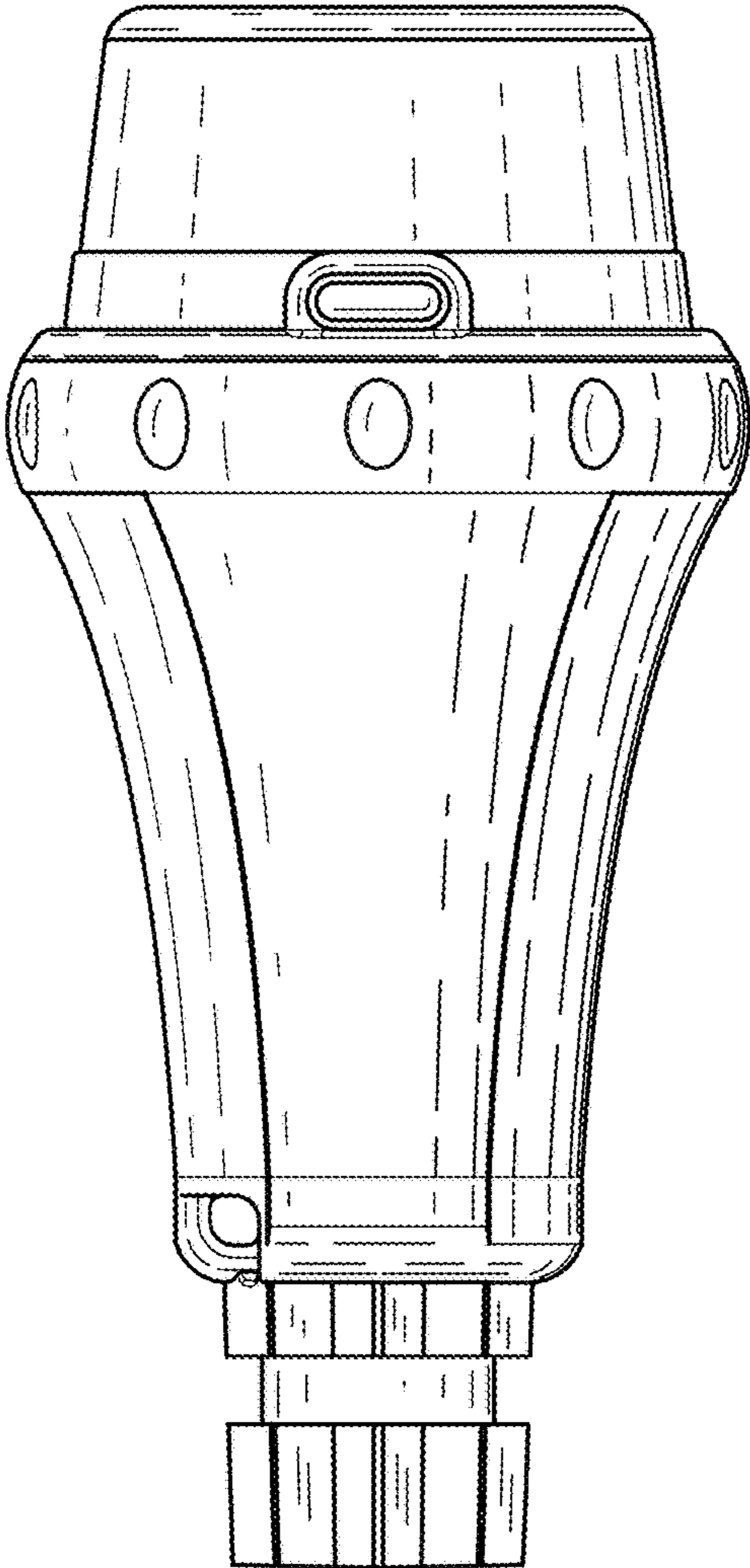


Fig.1

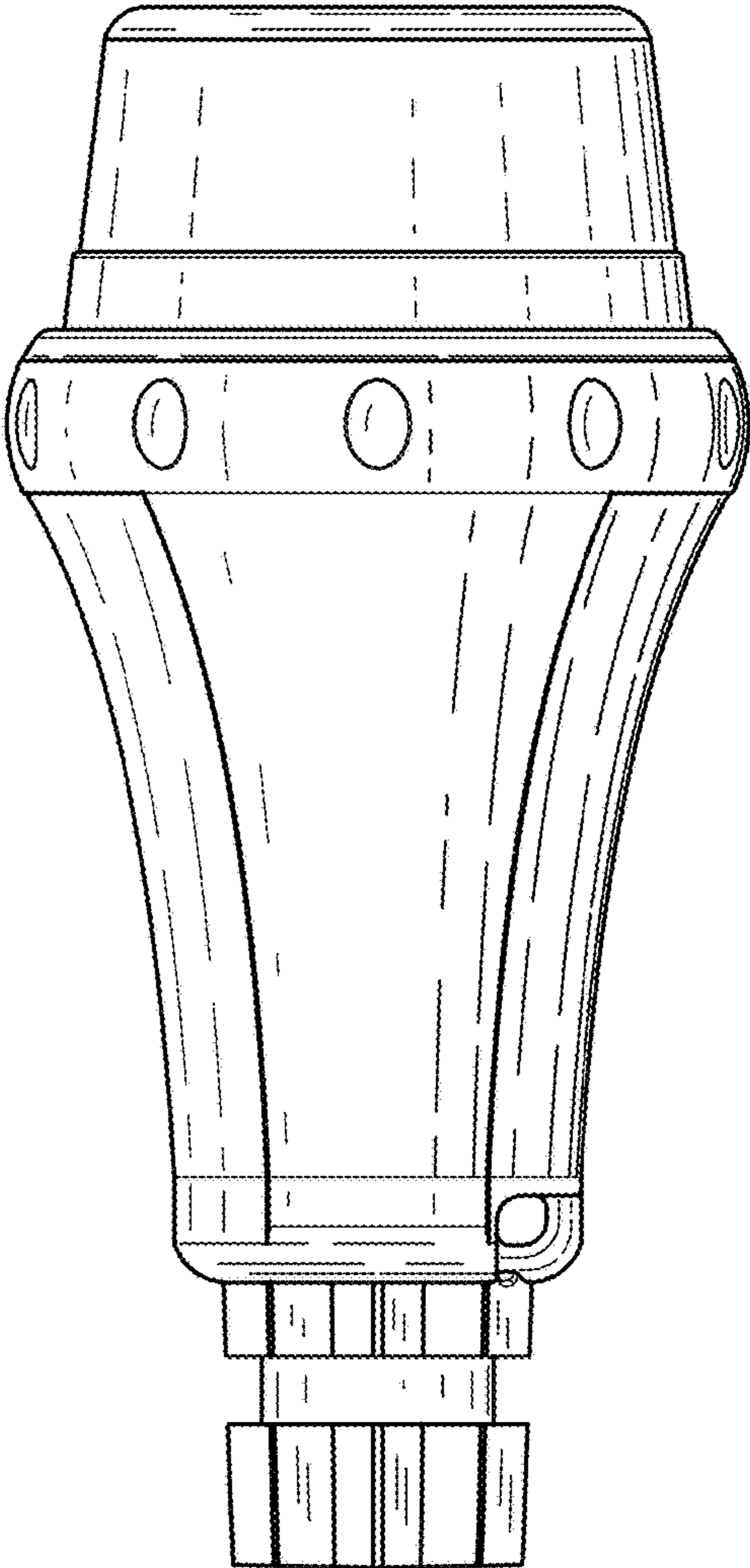


Fig.2

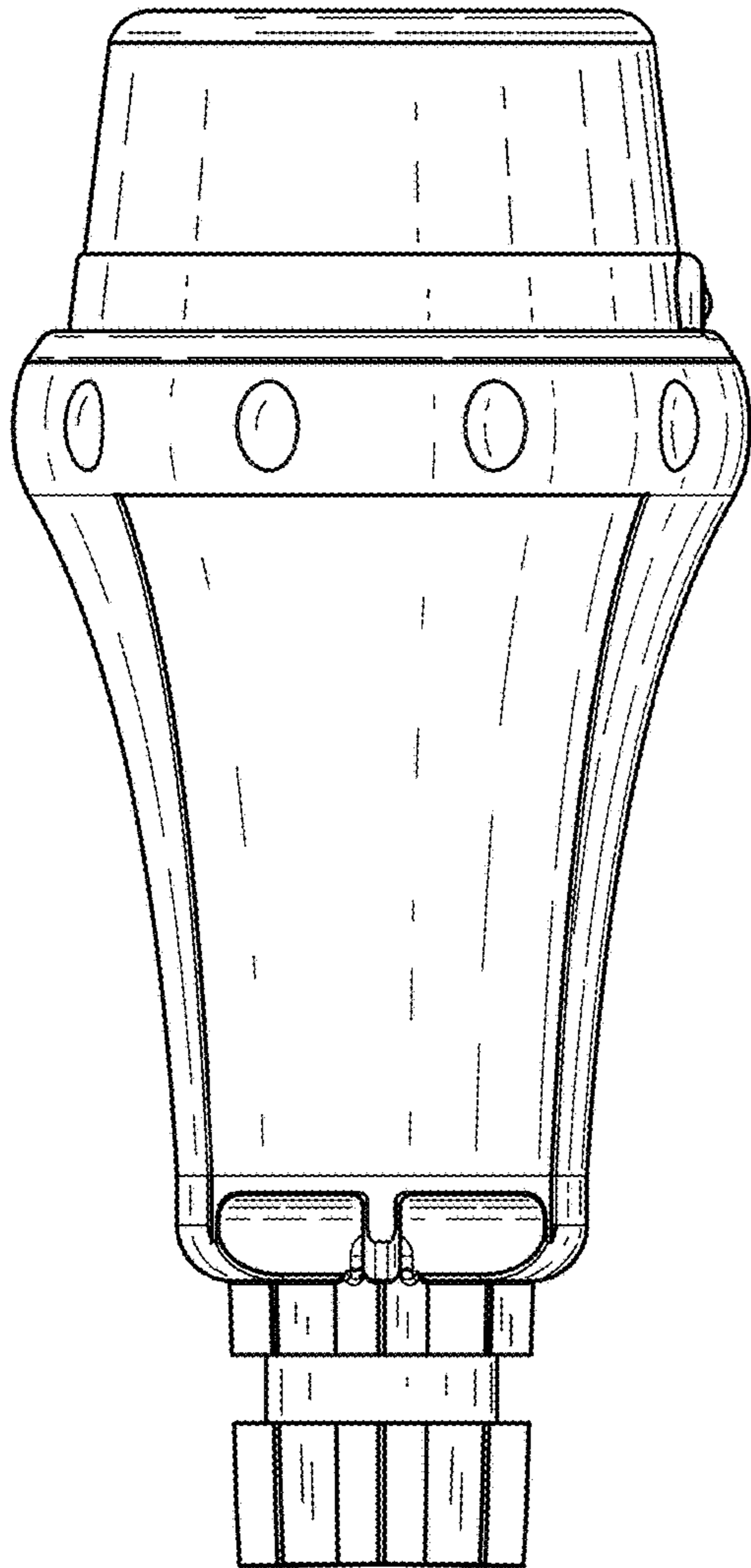


Fig.3

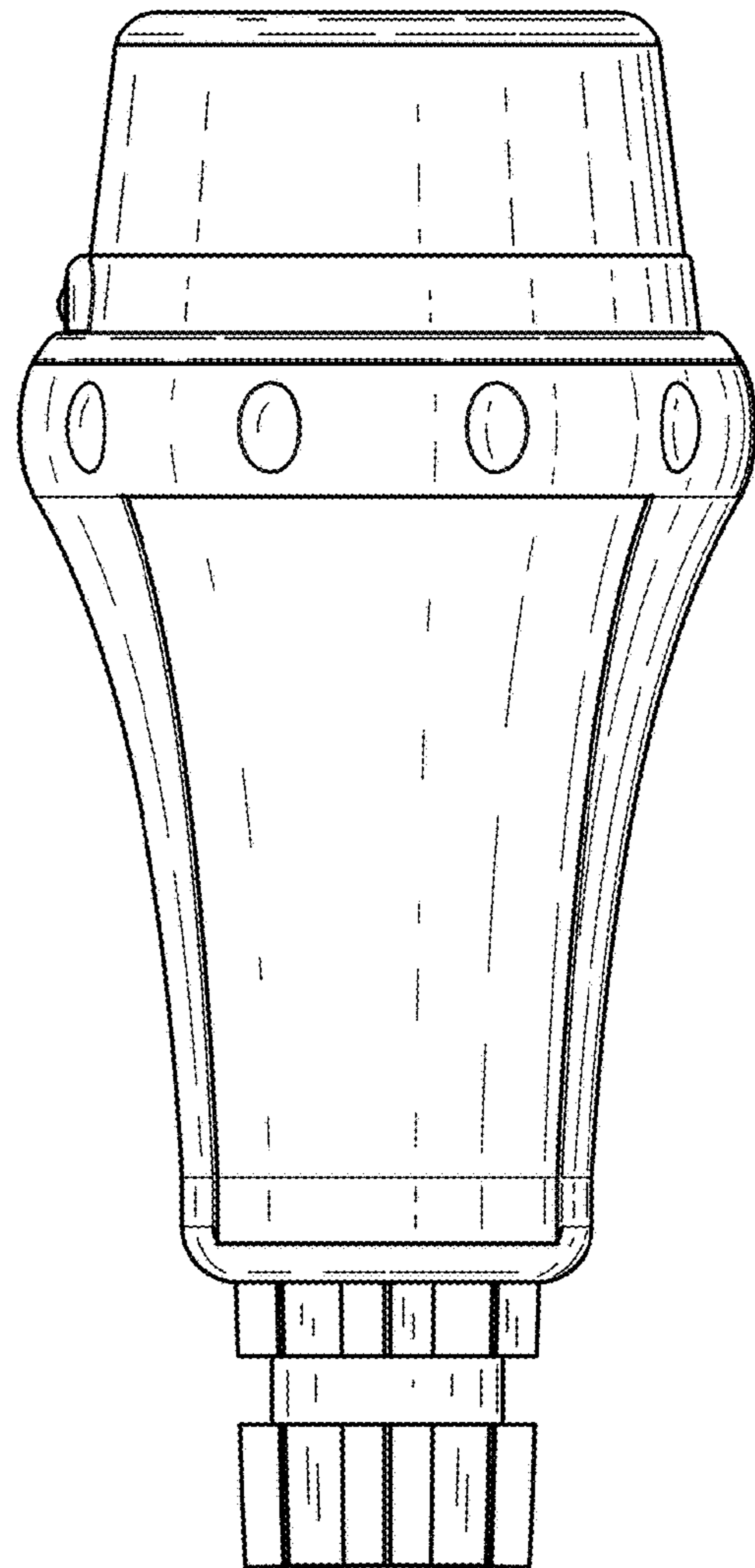


Fig.4

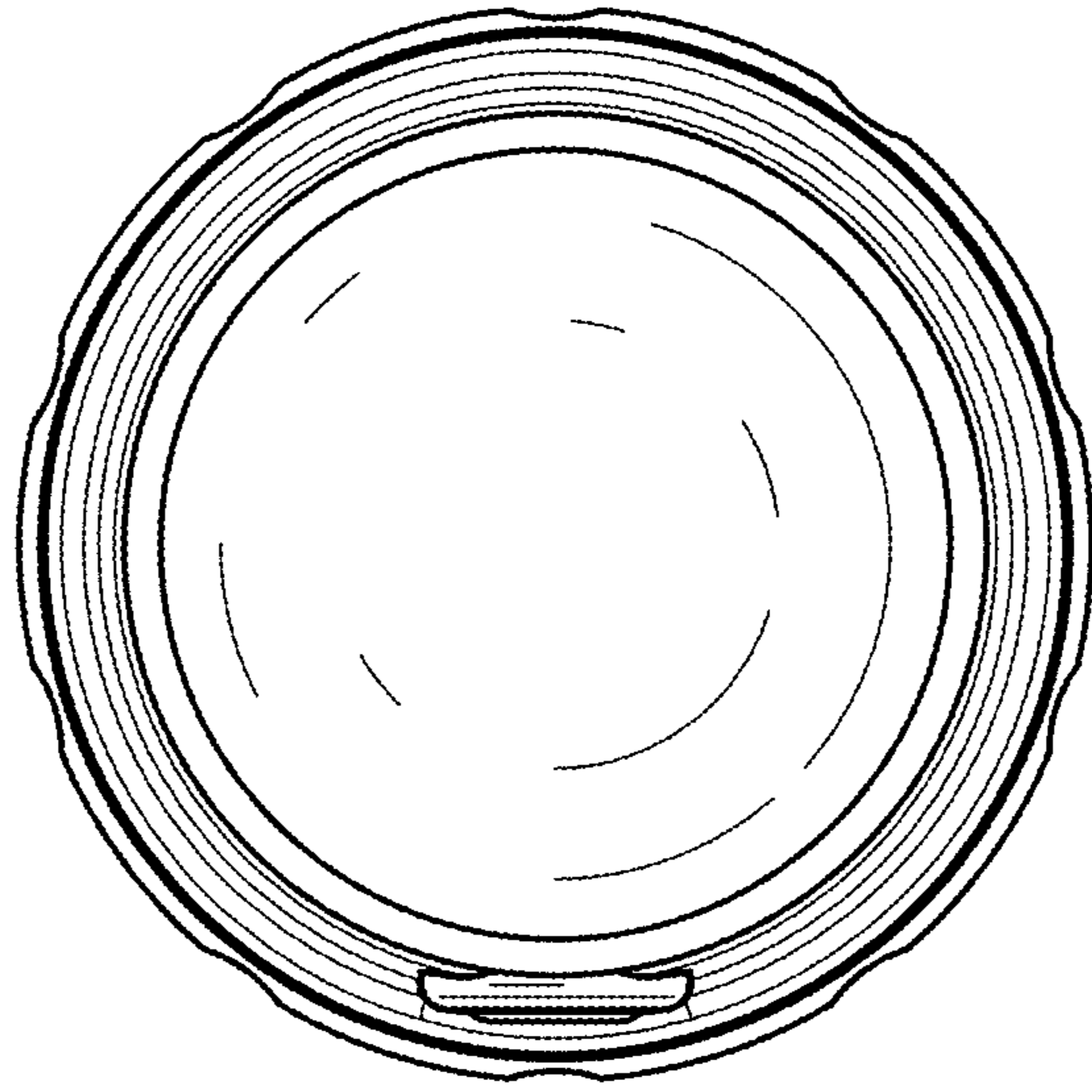


Fig.5

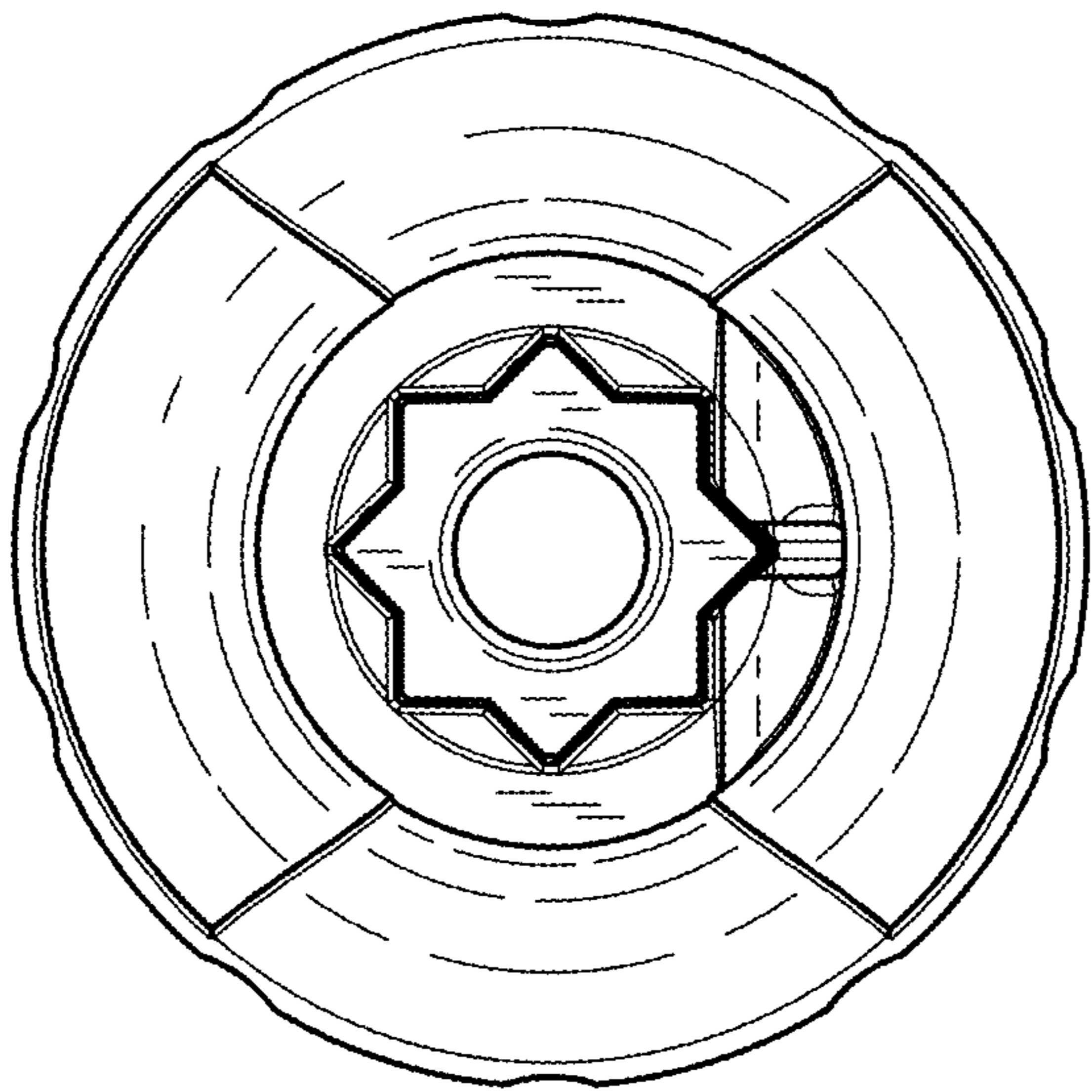


Fig.6

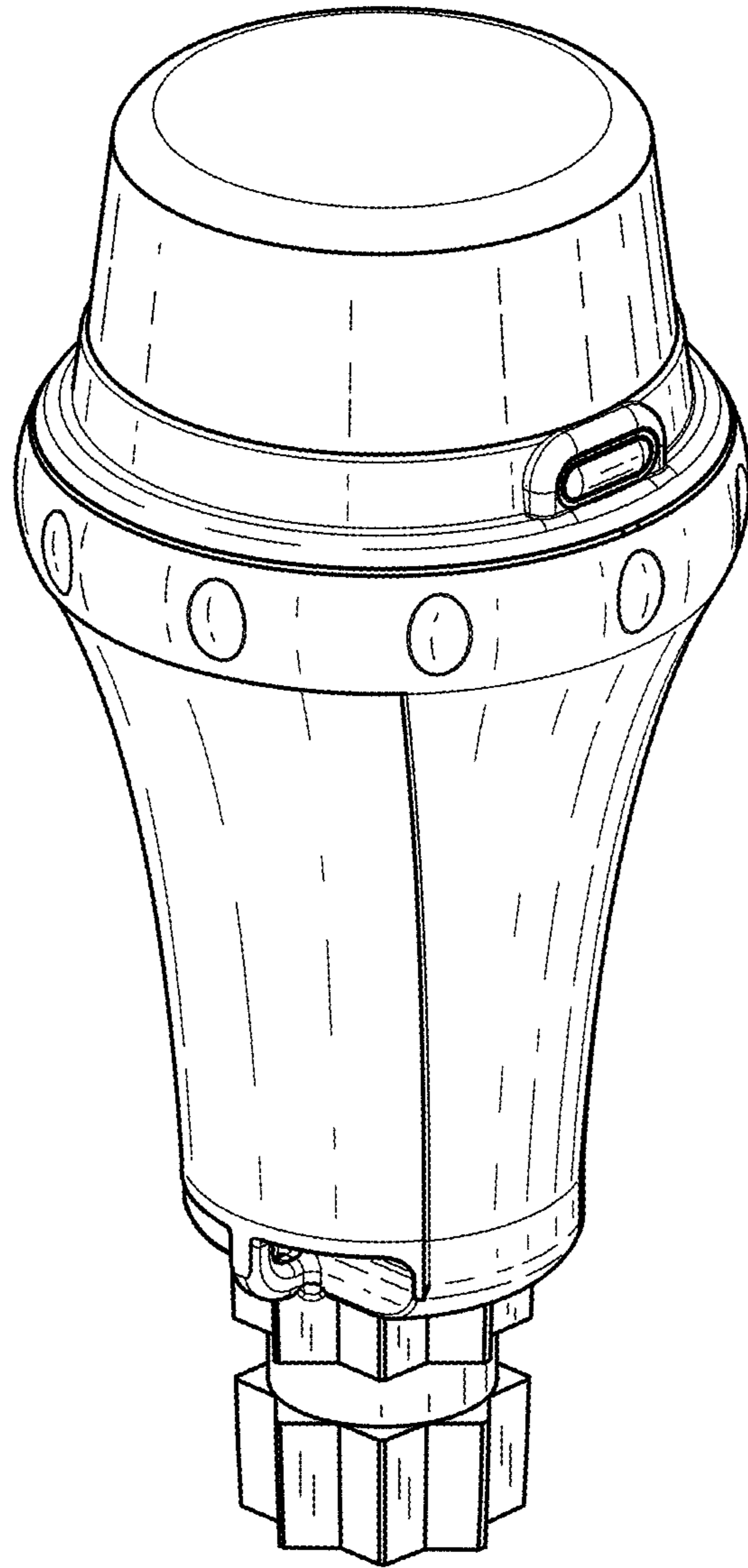


Fig.7

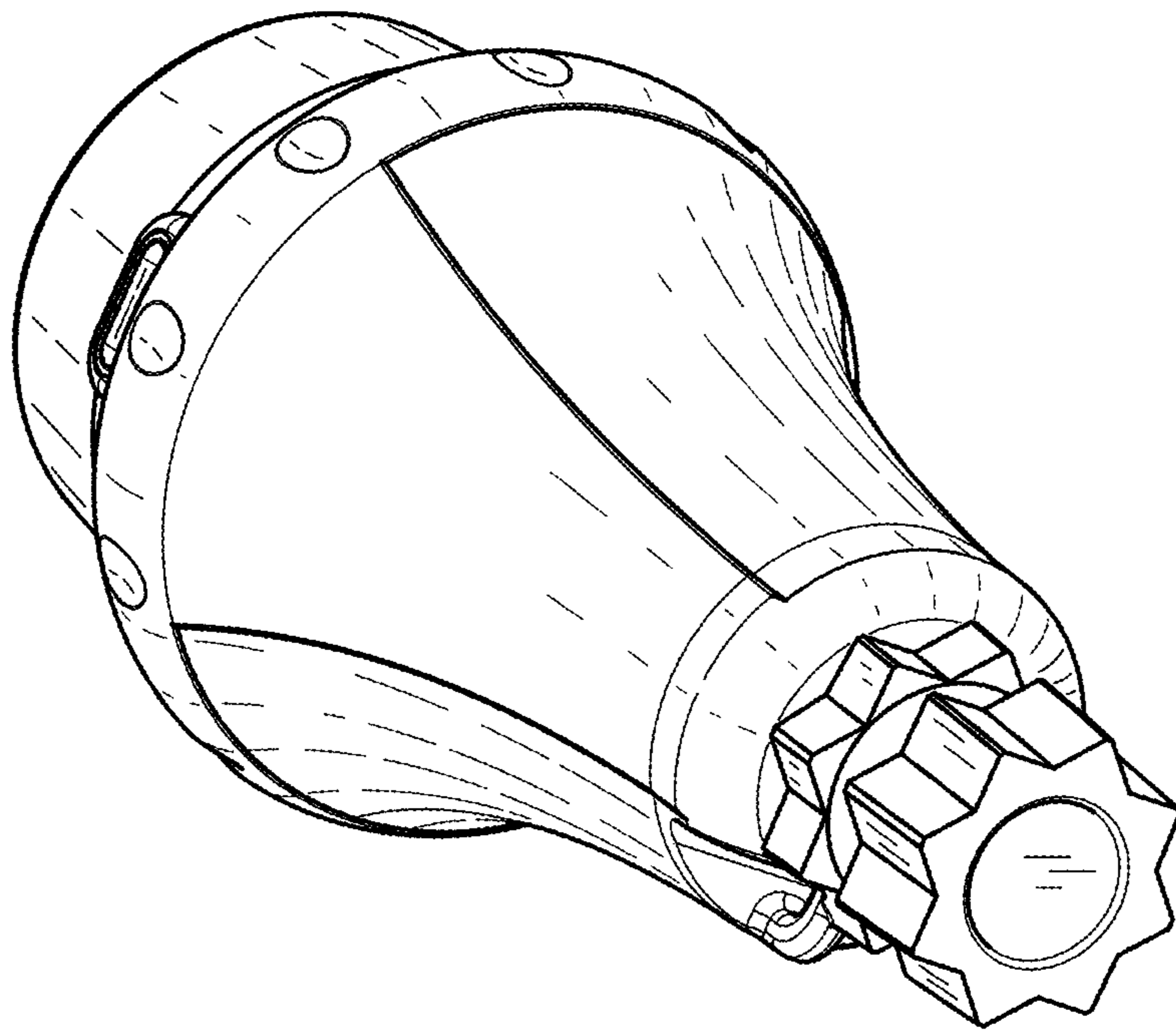


Fig.8