



US00D796702S

(12) **United States Design Patent** (10) **Patent No.:** **US D796,702 S**
Lutz (45) **Date of Patent:** **** Sep. 5, 2017**

(54) **LIGHT BULB HOUSING**

OTHER PUBLICATIONS

(71) Applicant: **Ledsens LLC**, Oconomowoc, WI (US)

Green Creative; Product Page from web-site; <http://gc-lighting.com/categories/br/>; 1 page; 2016 US.

(72) Inventor: **Chamy ChiaChen Lutz**, Oconomowoc, WI (US)

* cited by examiner

(73) Assignee: **Ledsens LLC**, Oconomowoc, WI (US)

Primary Examiner — Marcus Jackson

(**) Term: **15 Years**

(74) *Attorney, Agent, or Firm* — Boyle Fredrickson, S.C.

(21) Appl. No.: **29/562,470**

(57) **CLAIM**

(22) Filed: **Apr. 26, 2016**

The ornamental design for a light bulb housing, substantially as shown and described.

(51) **LOC (10) Cl.** **26-04**

(52) **U.S. Cl.**
USPC **D26/2**

DESCRIPTION

(58) **Field of Classification Search**
USPC D26/1-4; 313/313, 315, 316, 317, 318, 313/493; 315/52, 53, 56, 57, 58
CPC F21K 9/13; F21K 9/135; F21K 9/1375; H01R 5/00; H01R 13/46; H01R 13/514; H01R 31/048; H01R 31/02; H01J 5/00; H01J 5/16; H01J 5/48; H01J 5/50; H01J 15/00; H01J 19/54; F21V 5/00
See application file for complete search history.

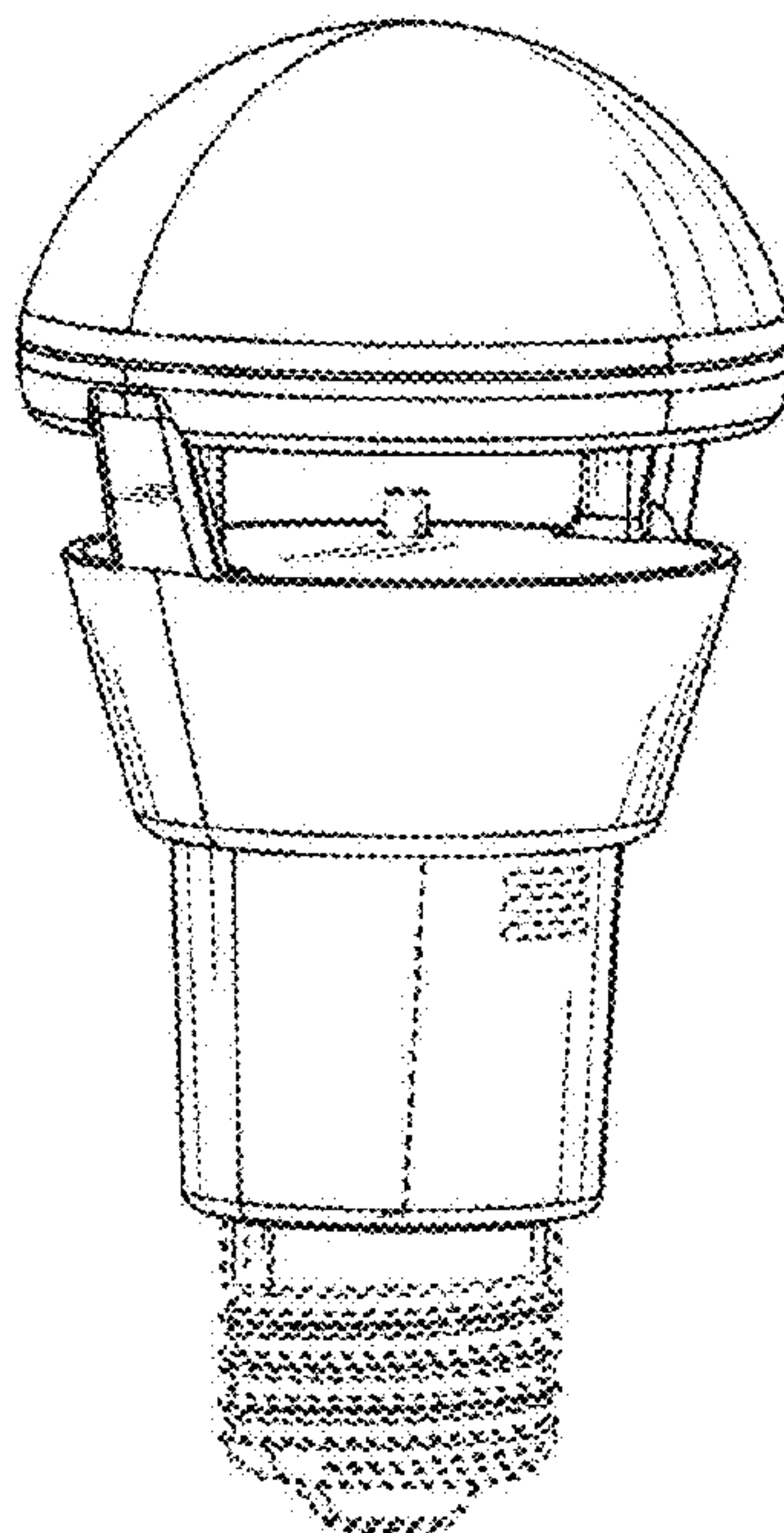
FIG. 1 is a front isometric view of a first embodiment of a light bulb housing in accordance our new design, wherein the portions illustrated in phantom form no part of the claimed design;
FIG. 2 is a bottom isometric view thereof;
FIG. 3 is a right side elevation view thereof, and a left side elevation view being a mirror image of the right side elevation view;
FIG. 4 is a front side elevation view thereof;
FIG. 5 is a rear side elevation view thereof;
FIG. 6 is a top plan view thereof; and,
FIG. 7 is a bottom plan view thereof.
The broken lines are for illustrative purposes and represent environmental structure and unclaimed portions of the invention and therefore form no part of the claimed design.

(56) **References Cited**

U.S. PATENT DOCUMENTS

D645,996 S	*	9/2011	Wey	D26/2
D656,252 S	*	3/2012	Engl	D26/2
D687,174 S	*	7/2013	Hsu	D26/2
D688,820 S	*	8/2013	Yang	D26/2
D719,684 S	*	12/2014	Grajcar	D26/2

1 Claim, 3 Drawing Sheets



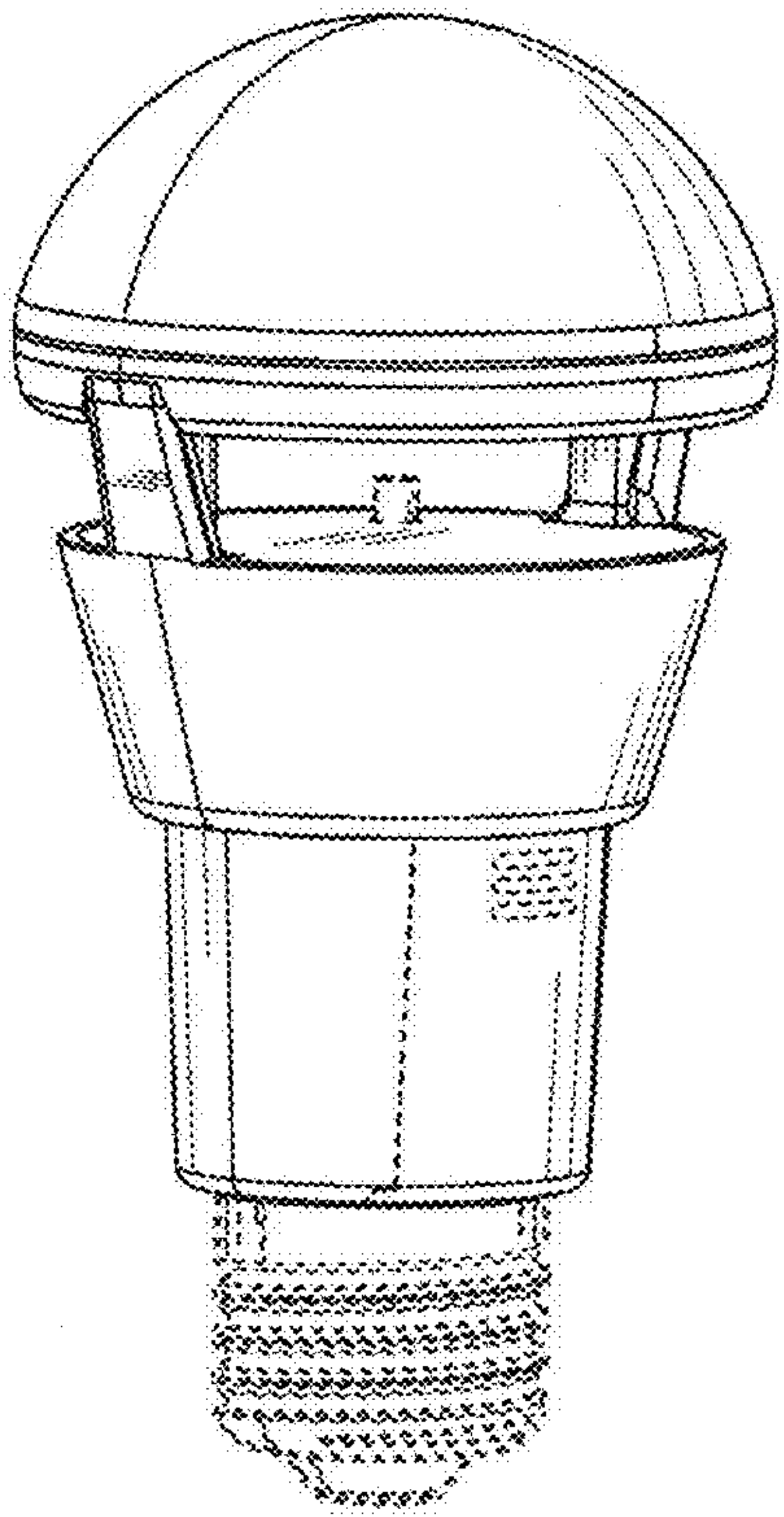


FIG. 1

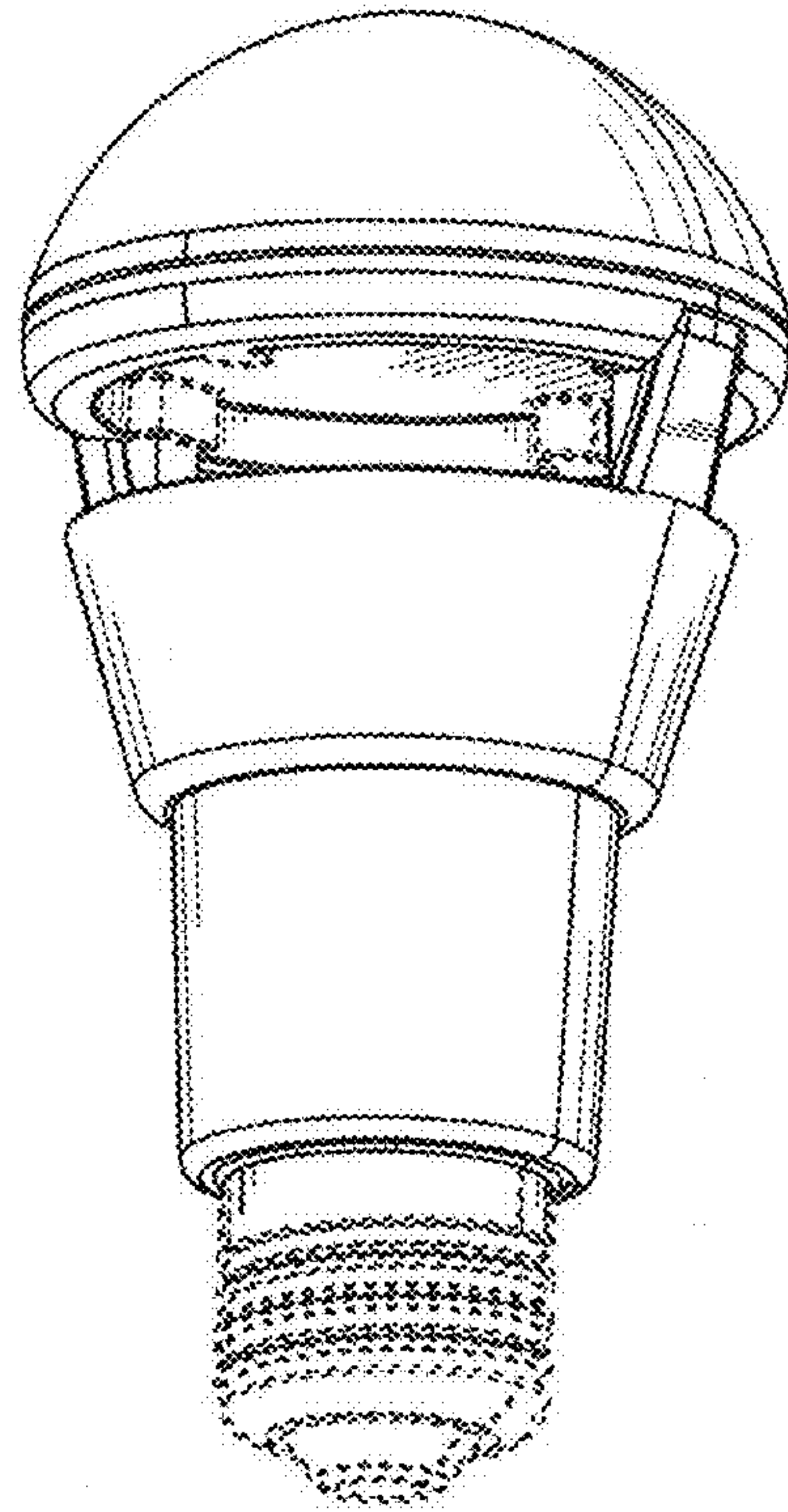


FIG. 2

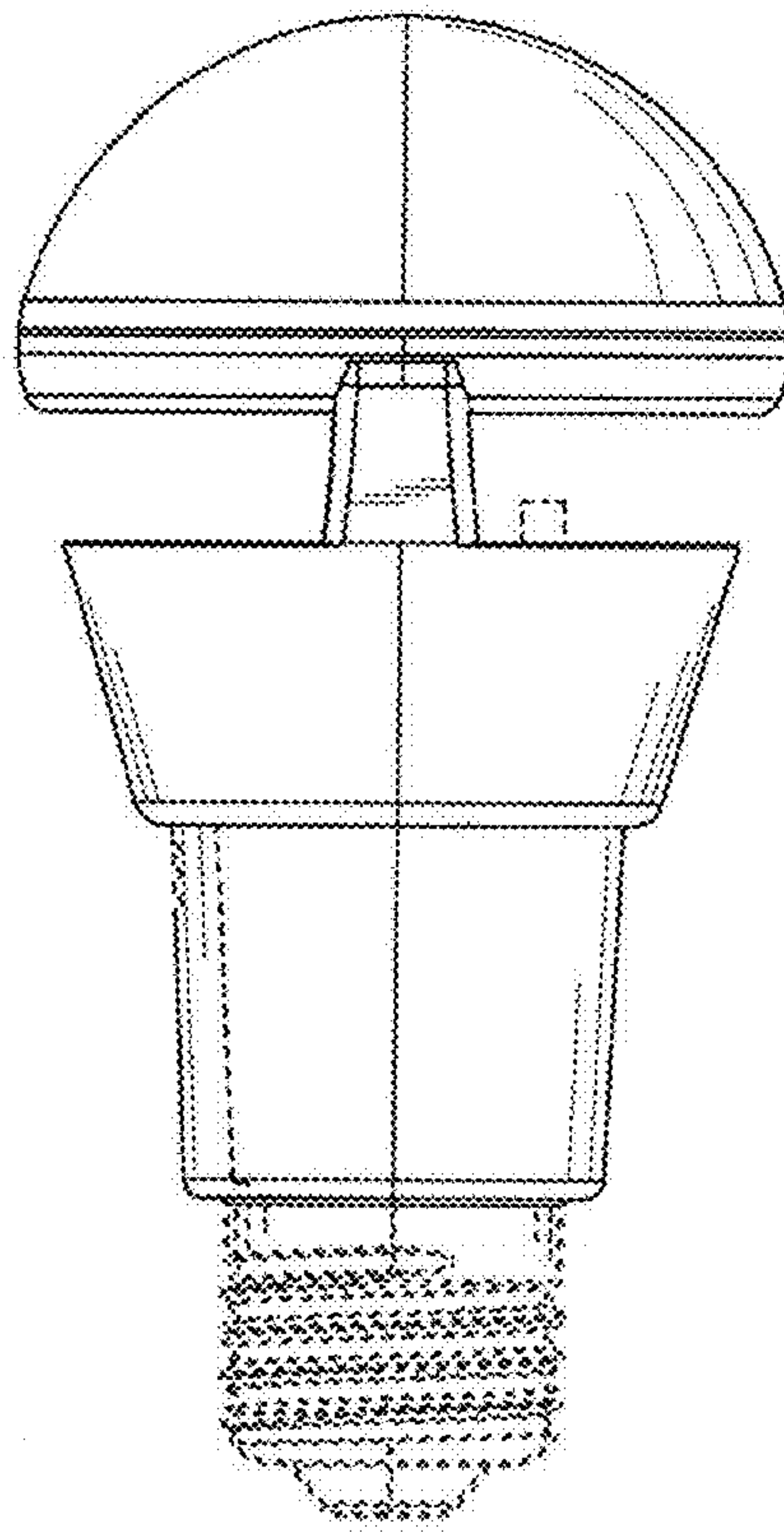


FIG. 3

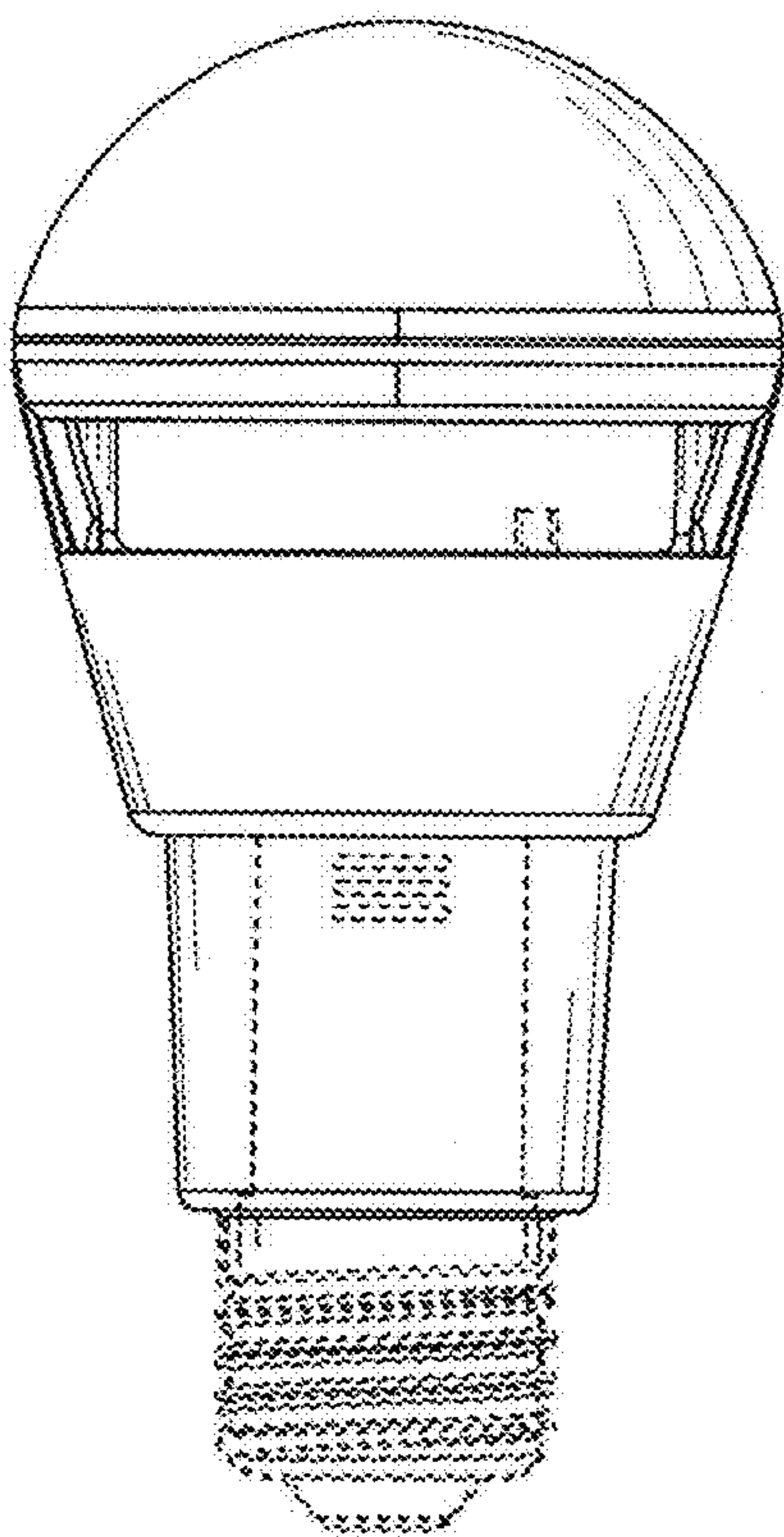


FIG. 4

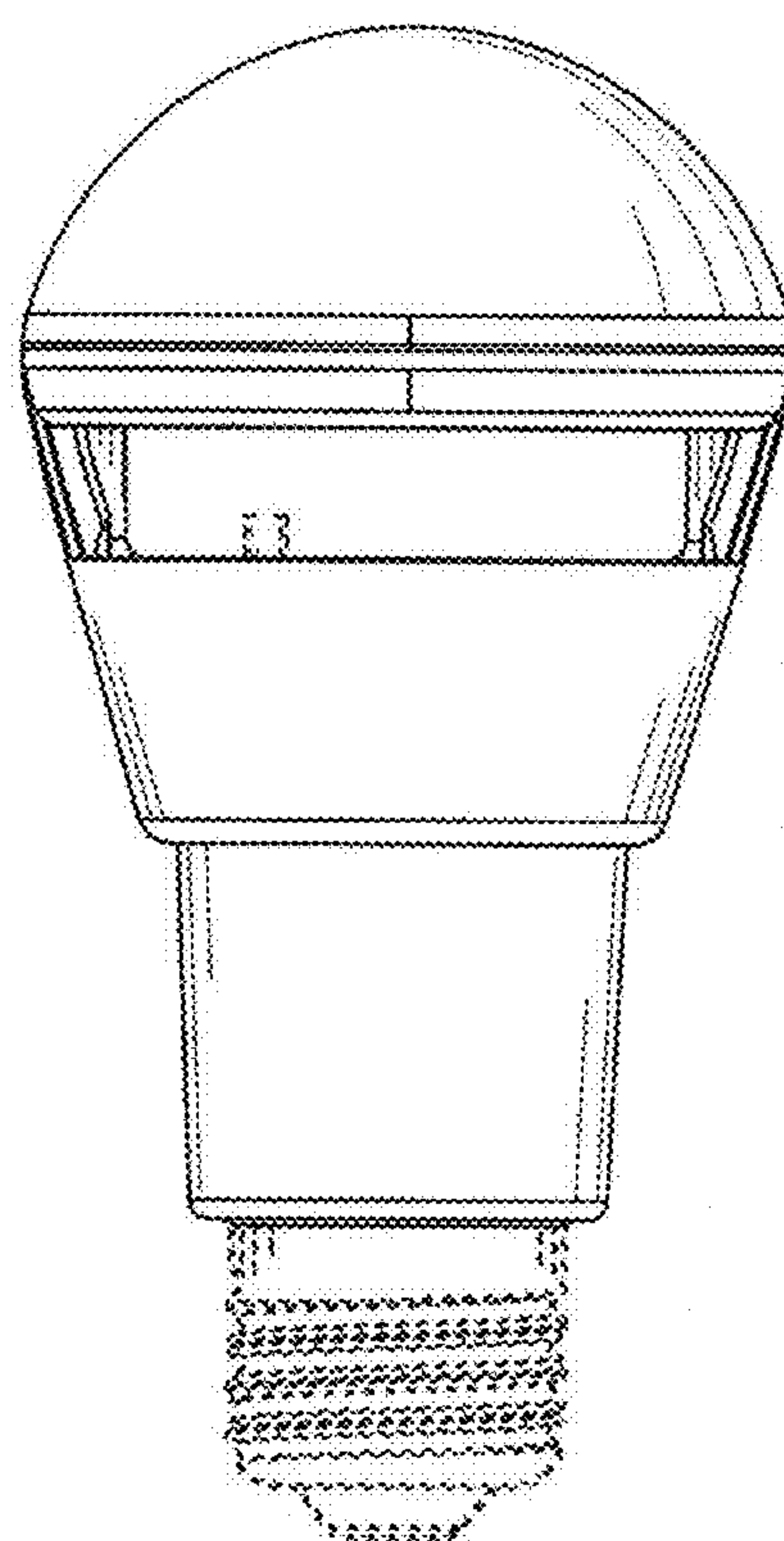


FIG. 5

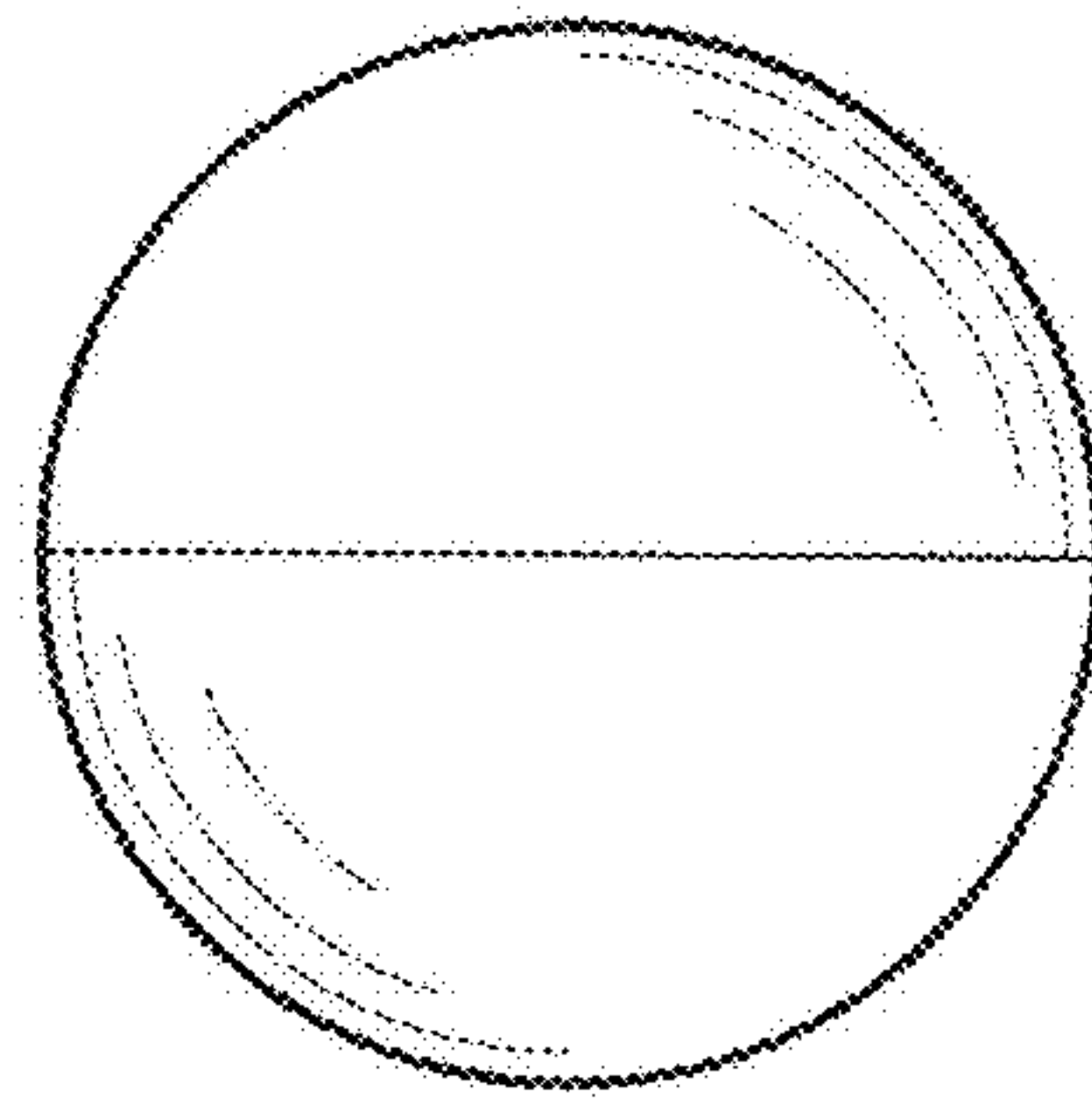


FIG. 6

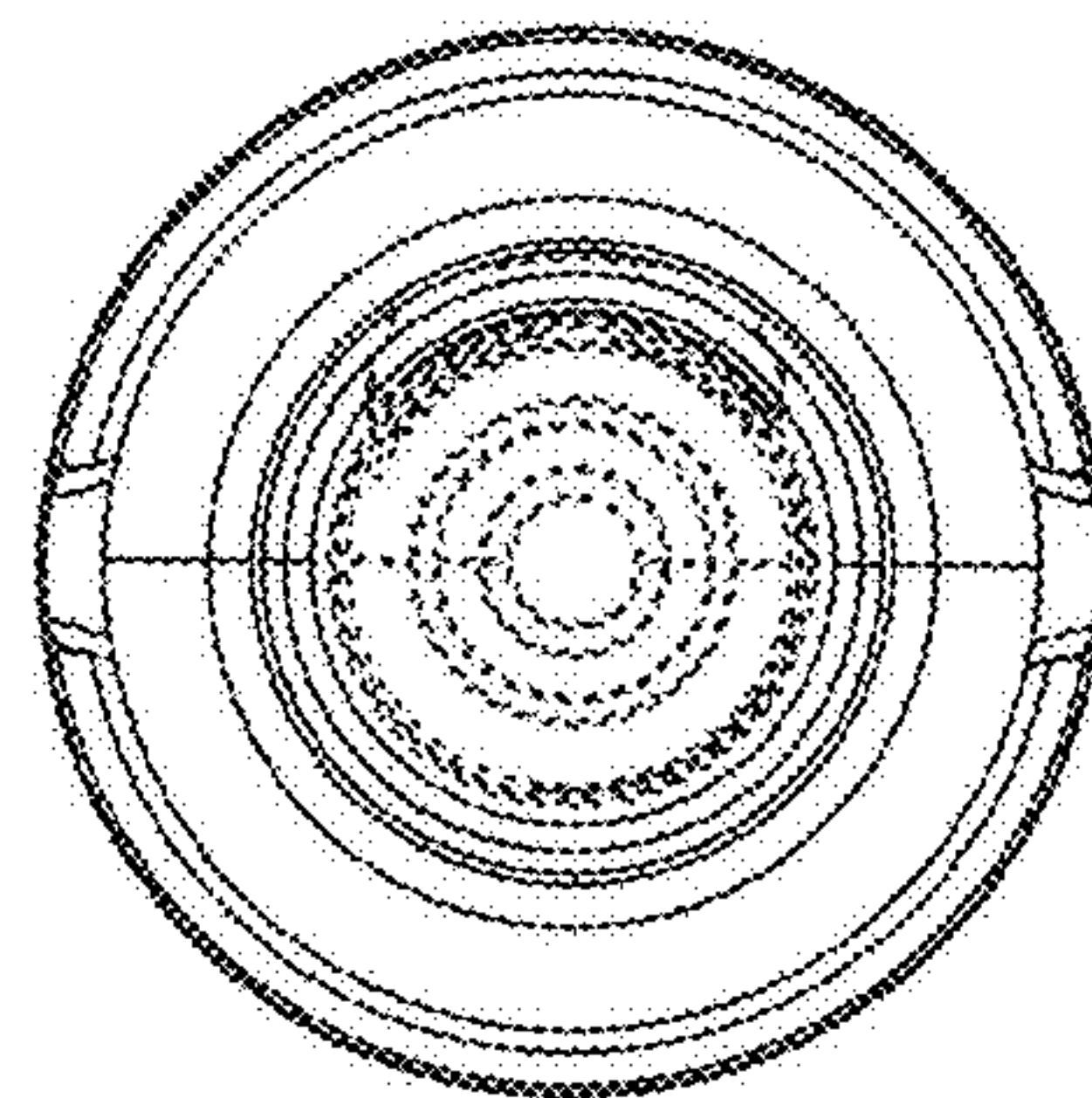


FIG. 7