



US00D796701S

(12) **United States Design Patent**
Moon et al.

(10) **Patent No.:** **US D796,701 S**

(45) **Date of Patent:** **** Sep. 5, 2017**

(54) **LED PLUG LAMP**

(71) Applicants: **Sangpil Moon**, Seoul (KR); **Feit Electric Company, Inc.**, Pico Rivera, CA (US)

(72) Inventors: **Daisung Moon**, Seoul (KR); **Sangpil Moon**, Seoul (KR)

(73) Assignees: **Sangpil Moon**, Seoul (KR); **Feit Electric Company, Inc.**, Pico Rivera, CA (US)

(**) Term: **14 Years**

(21) Appl. No.: **29/521,423**

(22) Filed: **Mar. 24, 2015**

(30) **Foreign Application Priority Data**

Jan. 28, 2015 (CN) 2015 3 0026178

(51) **LOC (10) Cl.** **26-04**

(52) **U.S. Cl.**
USPC **D26/1**

(58) **Field of Classification Search**
USPC D26/1, 2; 362/23, 390, 391, 444-448
CPC F21V 13/00
See application file for complete search history.

(56) **References Cited**

U.S. PATENT DOCUMENTS

D219,716 S * 1/1971 Grosso D26/1
D334,990 S * 4/1993 Sekiguchi D26/1
D657,074 S * 4/2012 Chen D26/1

D667,568 S * 9/2012 Chen D26/1
D667,570 S * 9/2012 Chen D26/1
D709,643 S * 7/2014 Kohler D26/138
D751,506 S * 3/2016 Liu D13/134
D769,193 S * 10/2016 Willette D13/134

* cited by examiner

Primary Examiner — Lakiya Rogers

Assistant Examiner — Harold E Blackwell, II

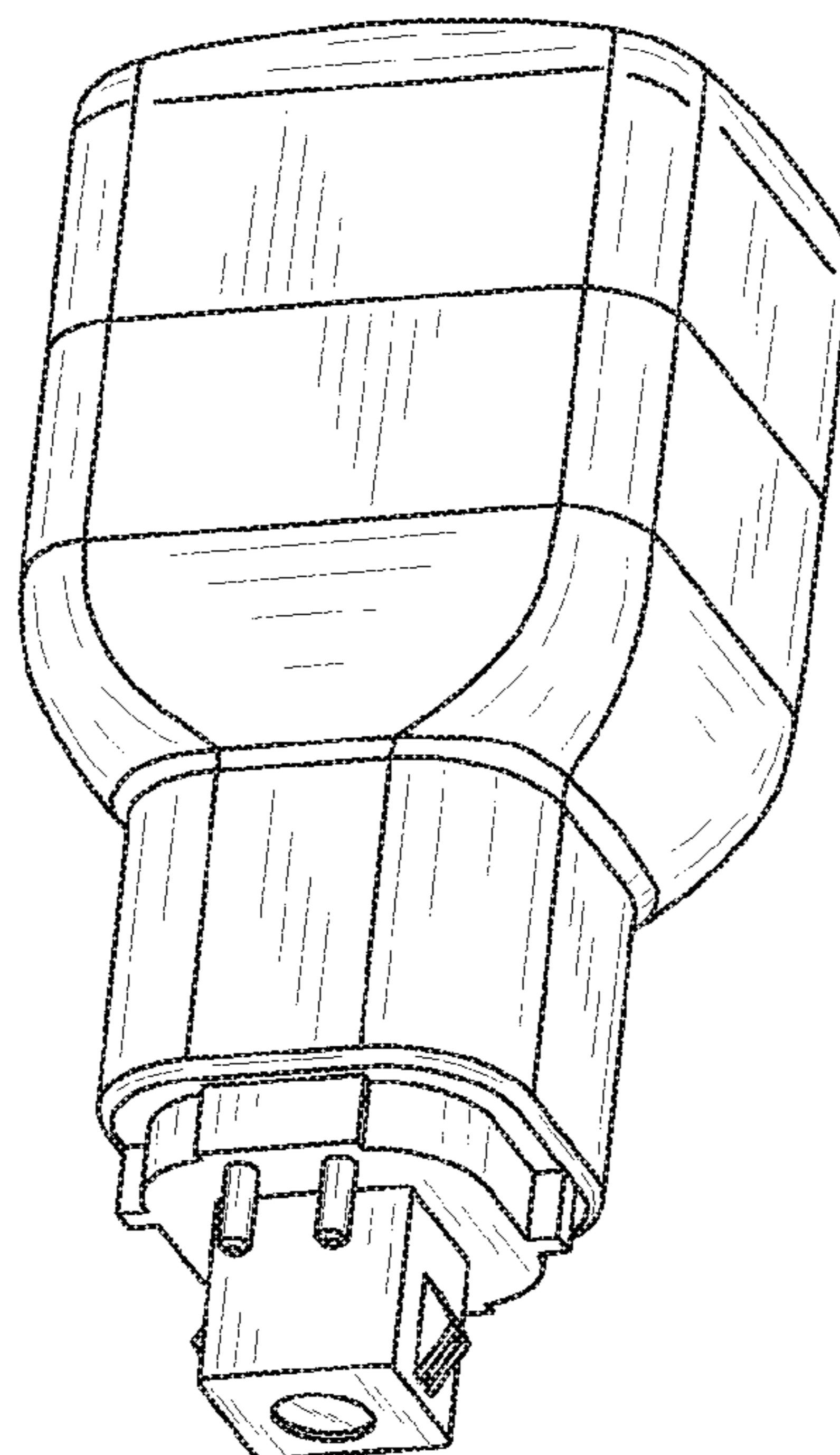
(57) **CLAIM**

The ornamental design for an LED plug lamp, as shown and described.

DESCRIPTION

FIG. 1 is a front elevational view of an LED plug lamp showing our new design;
FIG. 2 is a rear elevational view thereof;
FIG. 3 is a left side view thereof;
FIG. 4 is a right side view thereof;
FIG. 5 is a top plan view thereof;
FIG. 6 is a bottom plan view thereof;
FIG. 7 is a first perspective view thereof; and,
FIG. 8 is a second perspective view thereof.

1 Claim, 5 Drawing Sheets



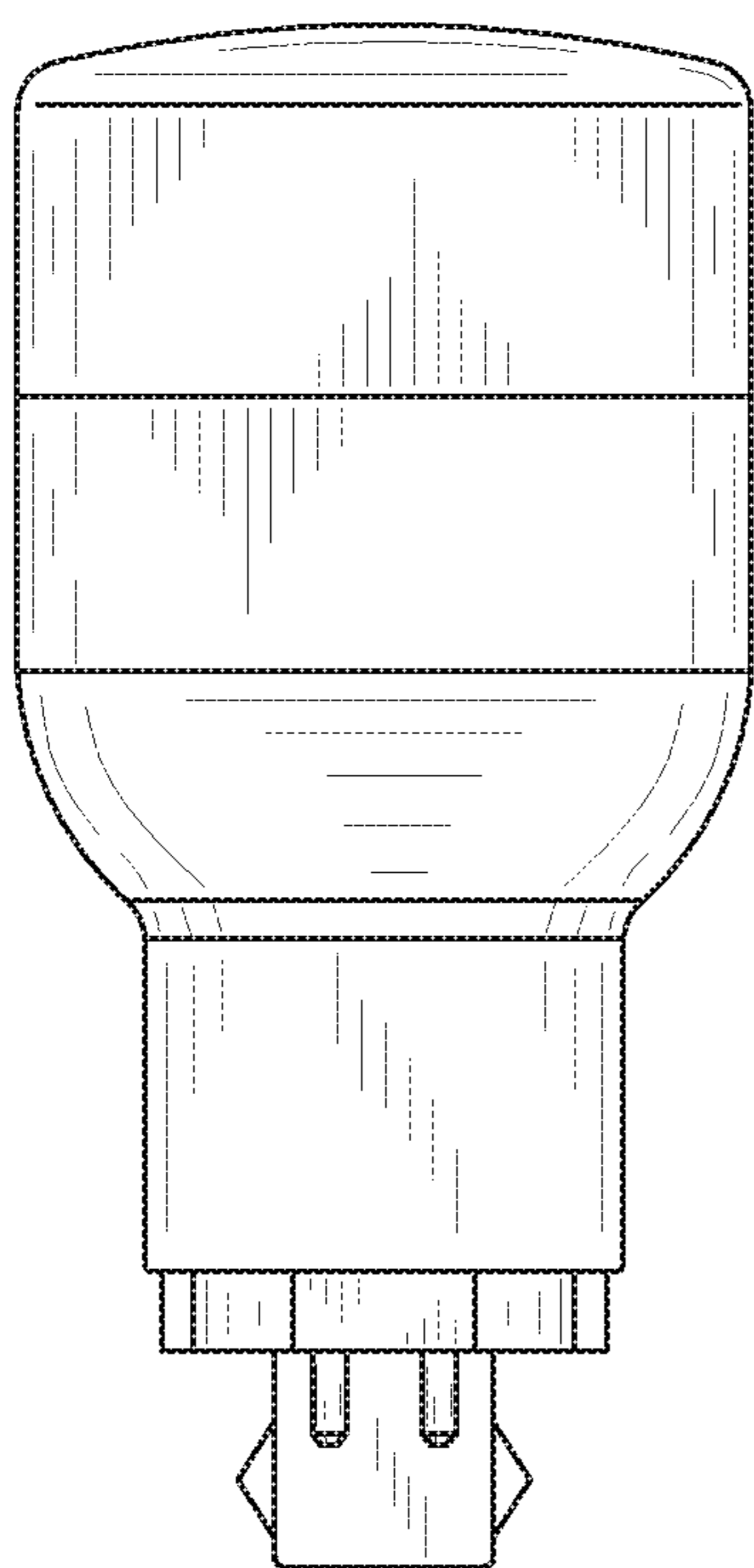


FIG. 1

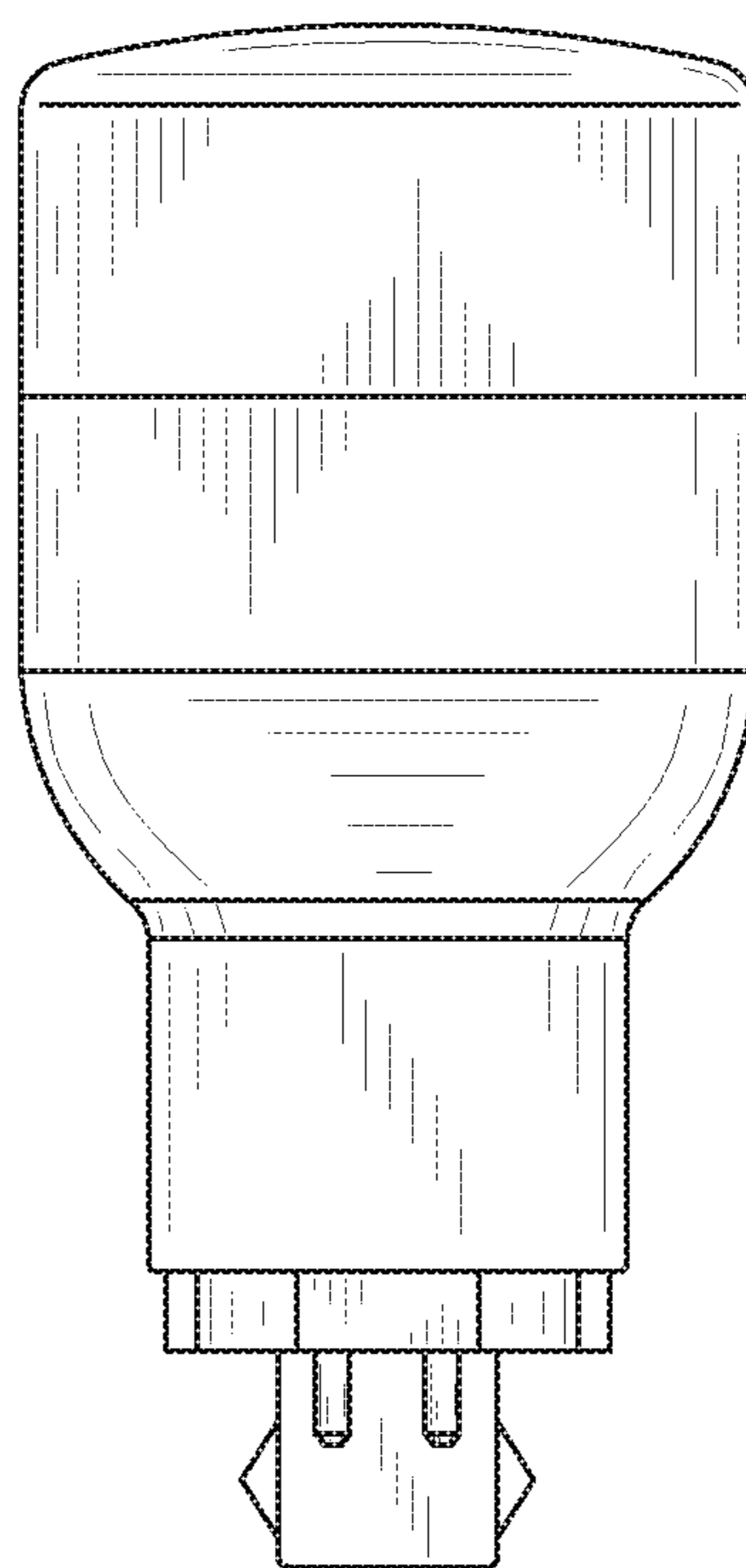


FIG. 2

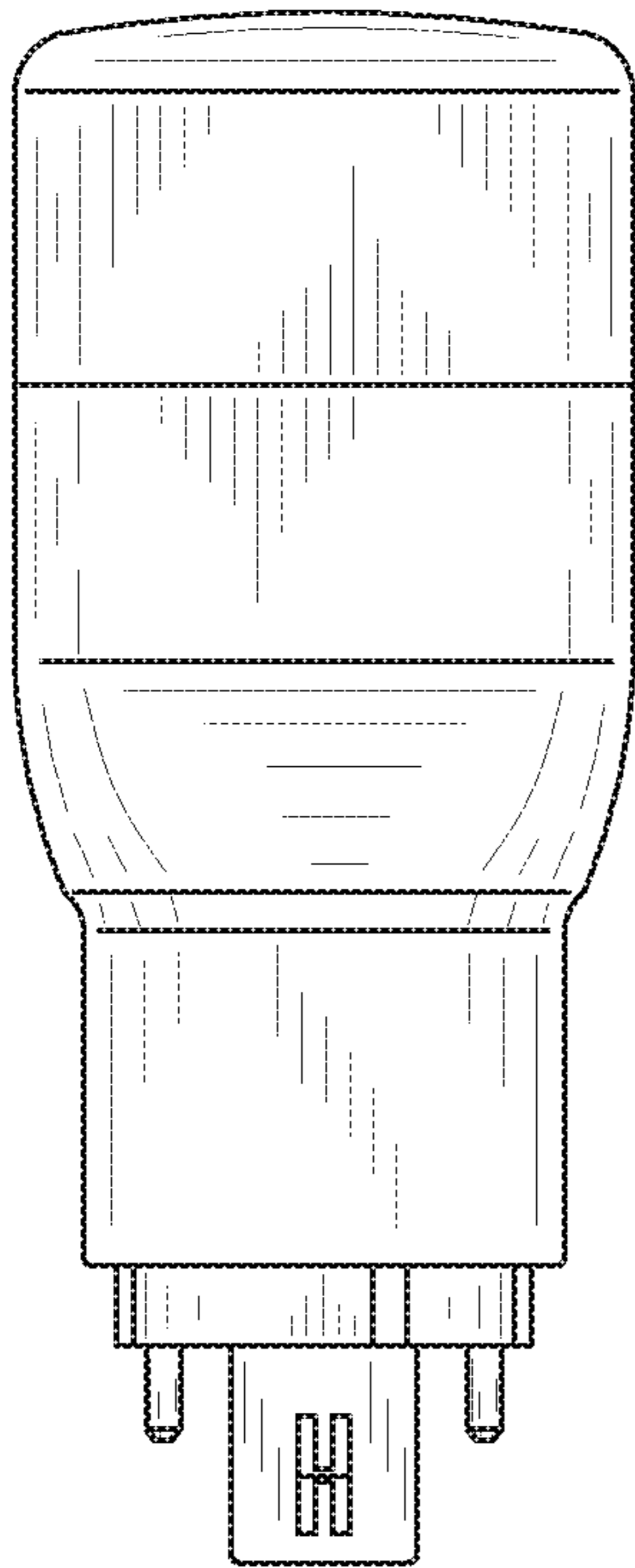


FIG.3

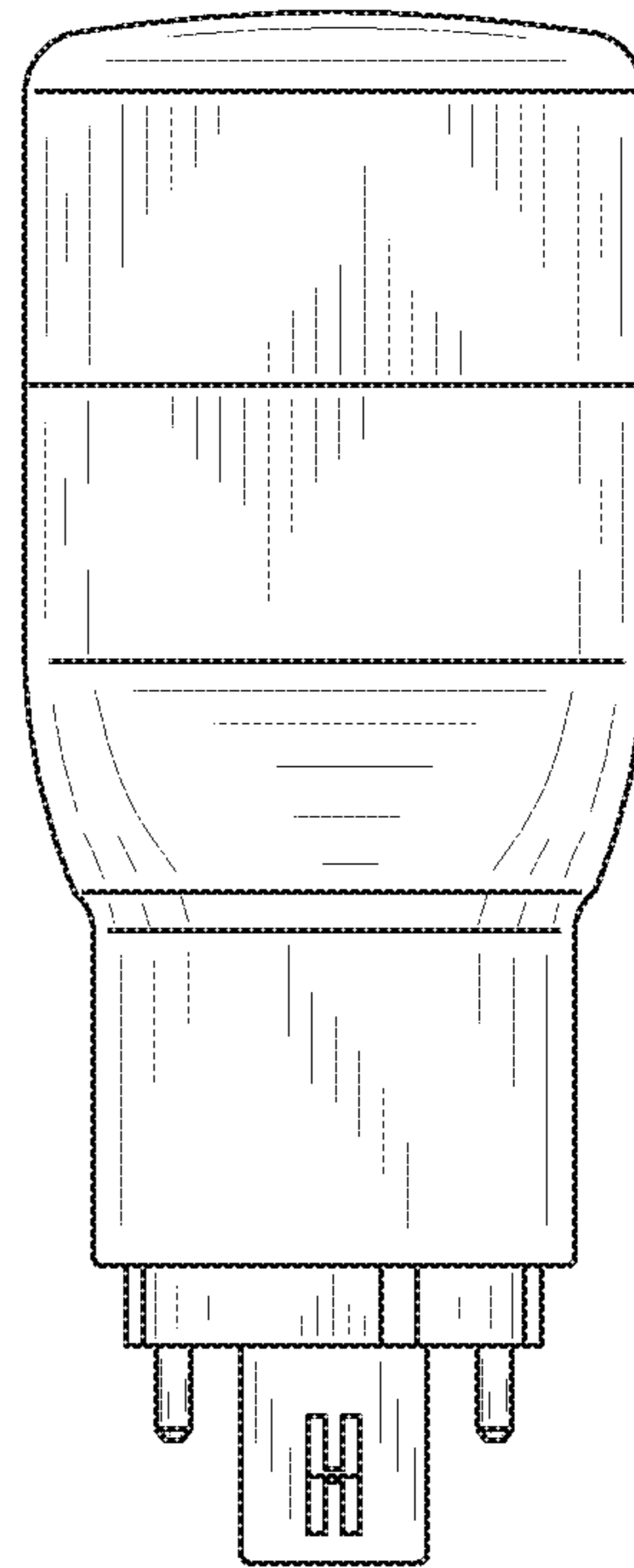


FIG.4

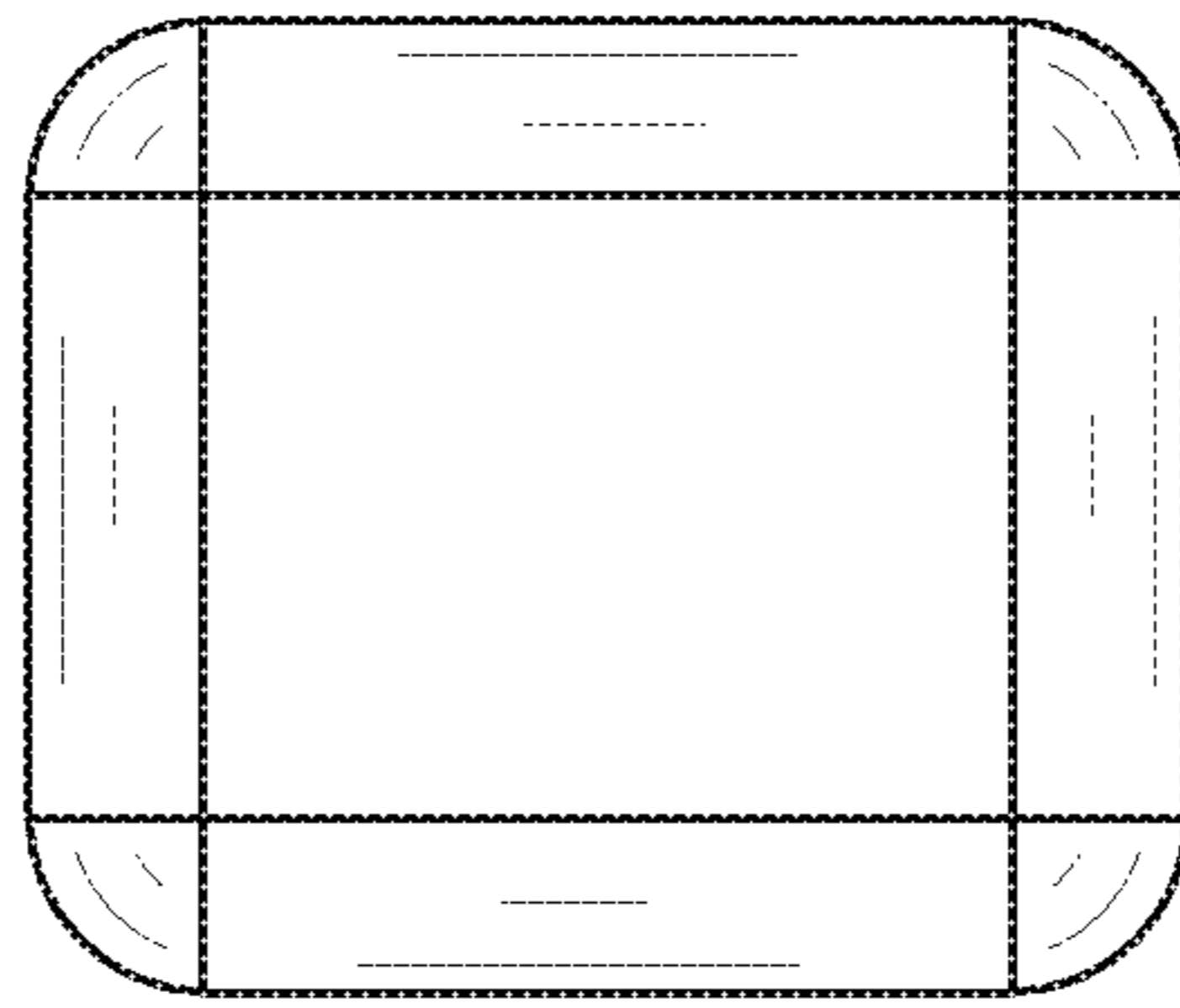


FIG. 5

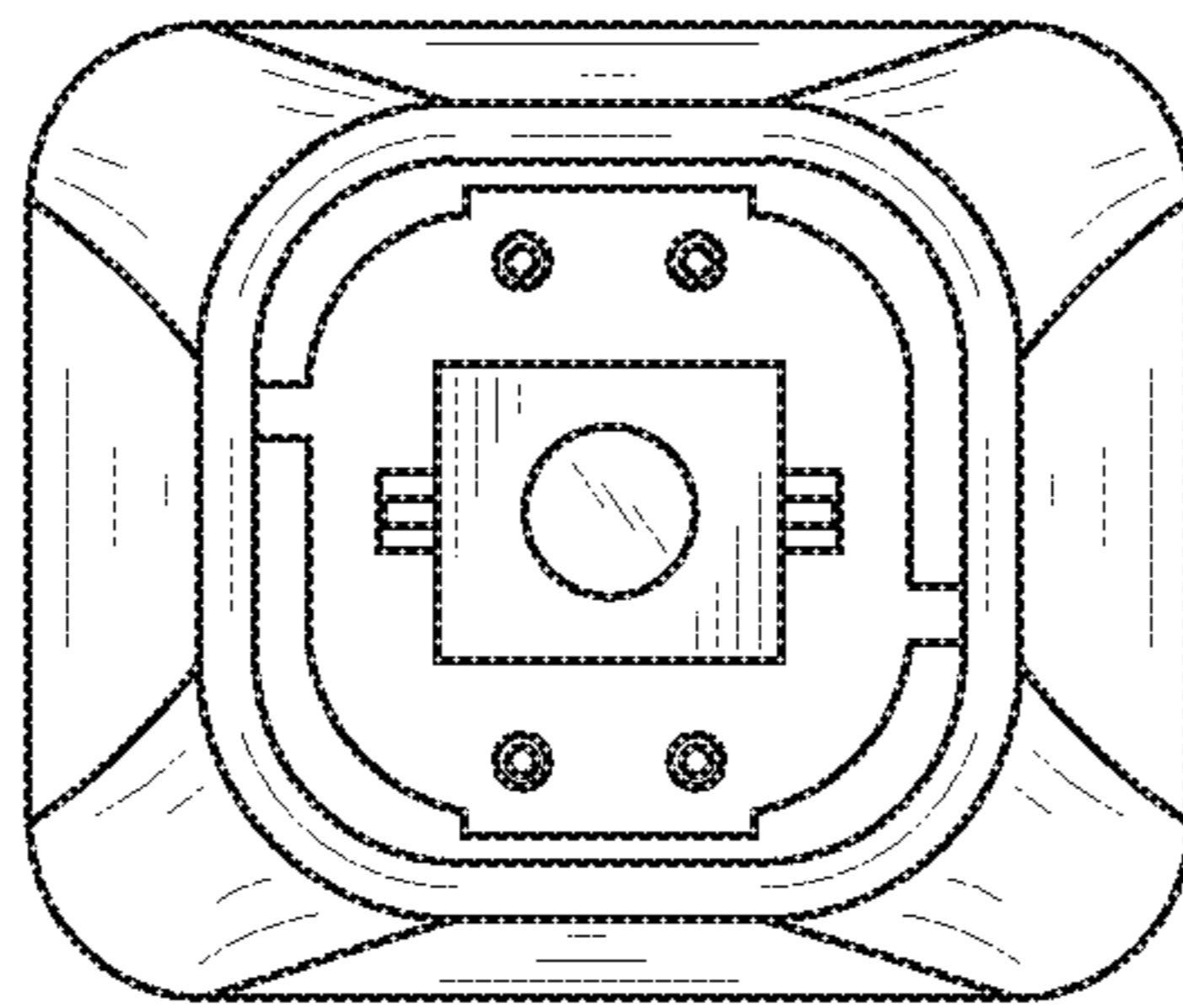


FIG. 6

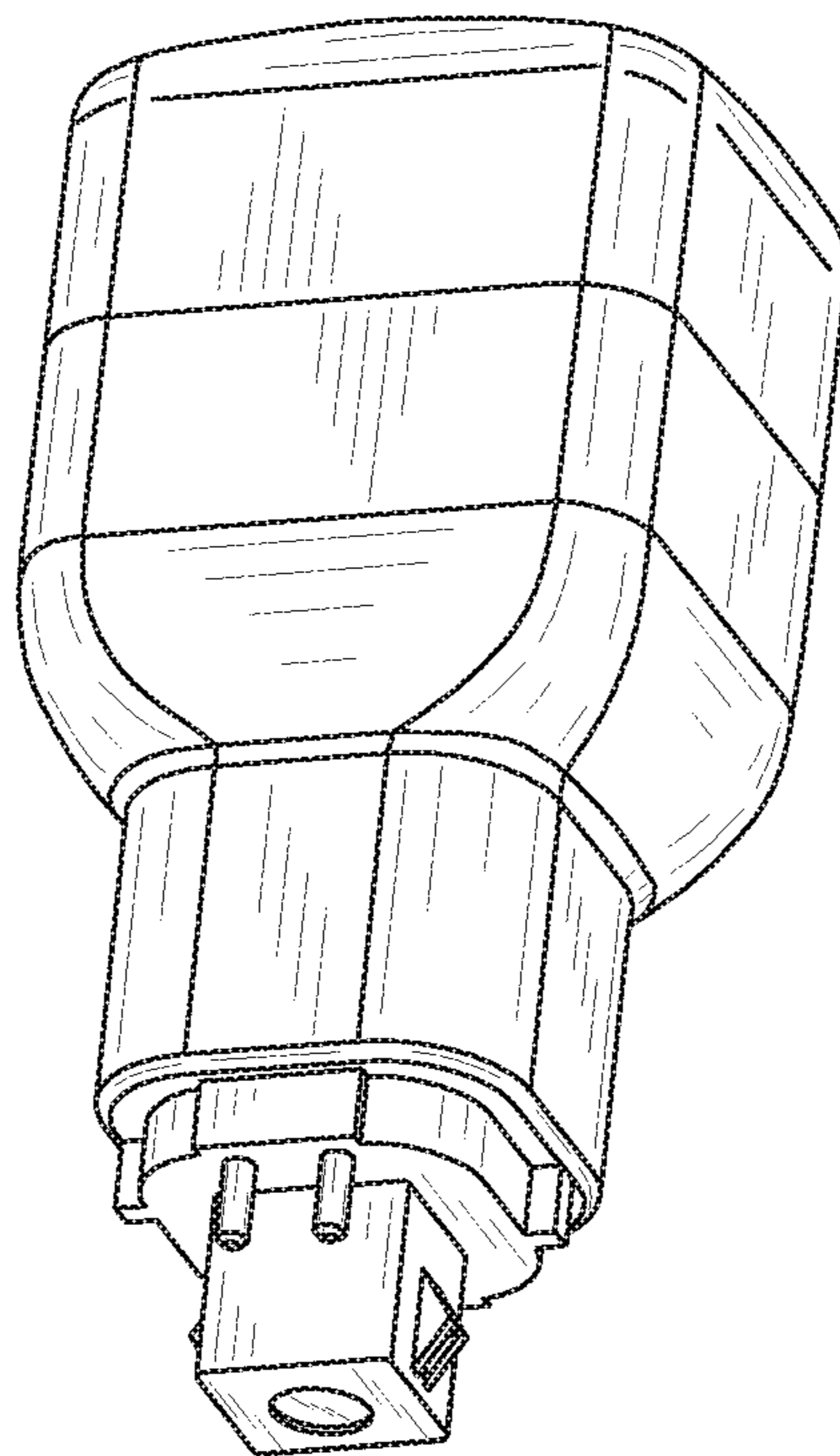


FIG.7

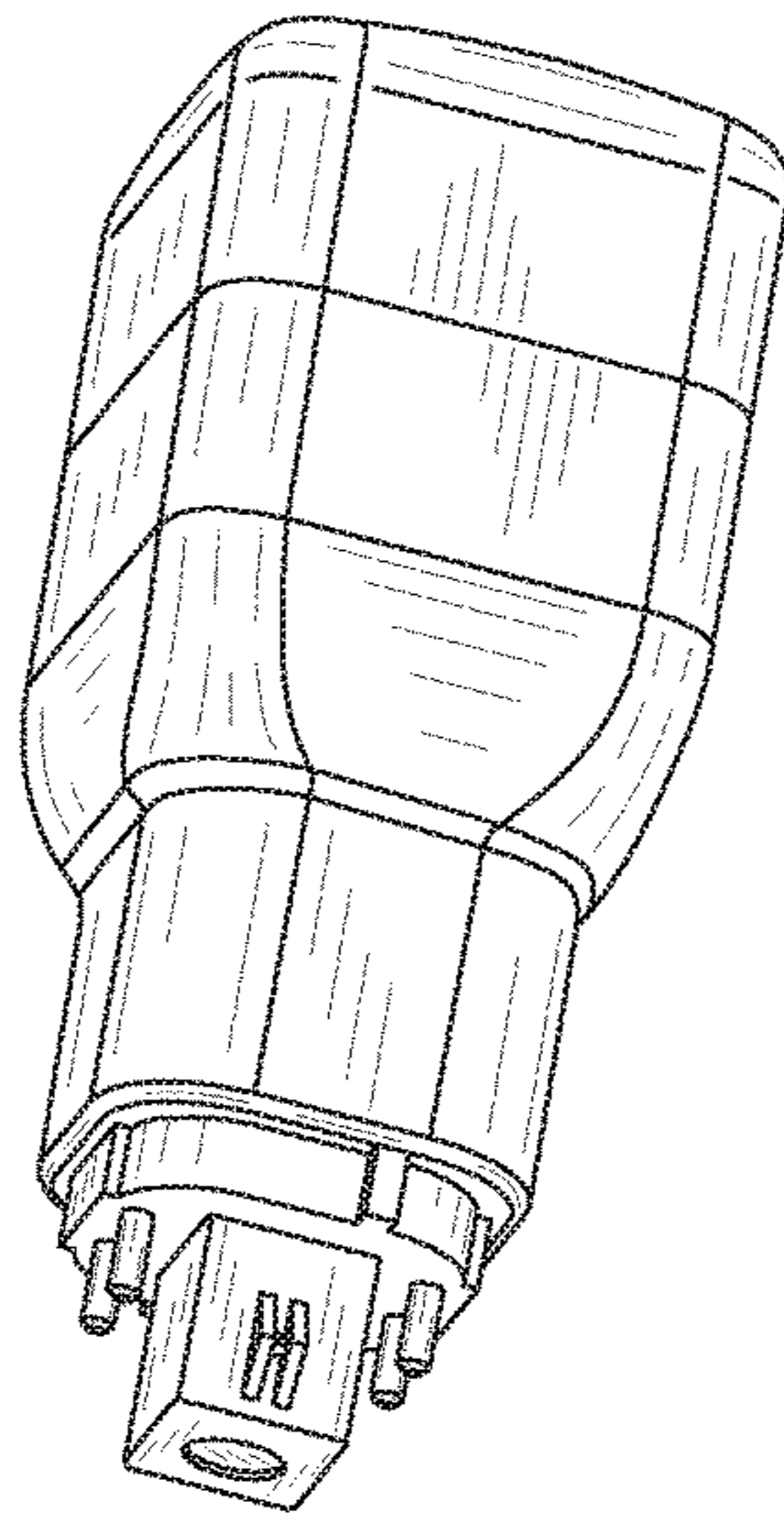


FIG.8