

US00D796699S

(12) **United States Design Patent** (10) **Patent No.:** **US D796,699 S**  
**Van Dore et al.** (45) **Date of Patent:** **\*\* Sep. 5, 2017**

(54) **ARCHITECTURAL CEILING PANEL APPARATUS**

(71) Applicant: **ARMSTRONG WORLD INDUSTRIES, INC.**, Lancaster, PA (US)

(72) Inventors: **Jonathan P. Van Dore**, Lititz, PA (US); **Ryan D. Hanuschak**, Lancaster, PA (US)

(73) Assignee: **AWI Licensing LLC**, Wilmington, DE (US)

(\*\*) Term: **14 Years**

(21) Appl. No.: **29/512,824**

(22) Filed: **Dec. 23, 2014**

(51) **LOC (10) Cl.** ..... **25-01**

(52) **U.S. Cl.**

USPC ..... **D25/138**

(58) **Field of Classification Search**

USPC ..... D6/387, 347; D7/6, 9, 12, 23, 32, 35, D7/39; D14/451, 125; D20/11, 26; (Continued)

(56) **References Cited**

U.S. PATENT DOCUMENTS

3,391,504 A 7/1968 McLorg  
3,638,368 A 2/1972 Pierson  
(Continued)

*Primary Examiner* — Susan Bennett Hattan

*Assistant Examiner* — Camelia H Styles

(74) *Attorney, Agent, or Firm* — Craig M. Sterner

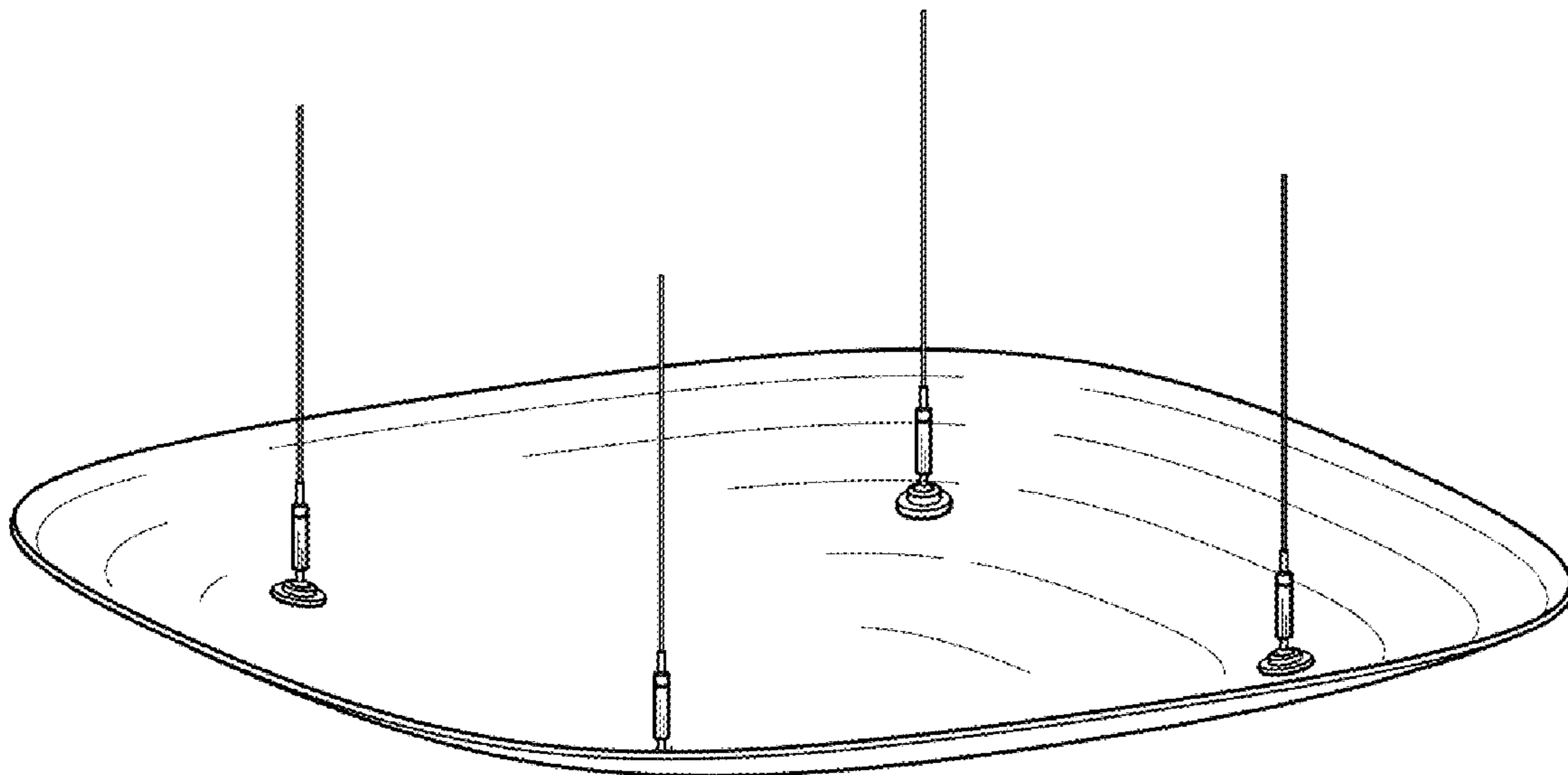
(57) **CLAIM**

We claim the ornamental design for an architectural ceiling panel apparatus, as shown and described.

**DESCRIPTION**

FIG. 1 is an elevated perspective view of an architectural ceiling panel apparatus showing my new design in accordance with a first embodiment of the present invention; FIG. 2 is a bottom perspective view of the architectural ceiling panel apparatus of FIG. 1; FIG. 3 is a right-side plan view of the architectural ceiling panel apparatus of FIG. 1; FIG. 4 is a left-side plan view of the architectural ceiling panel apparatus of FIG. 1; FIG. 5 is a front plan view of the architectural ceiling panel apparatus of FIG. 1; FIG. 6 is a rear plan view of the architectural ceiling panel apparatus of FIG. 1; FIG. 7 is a top plan view of the architectural ceiling panel apparatus of FIG. 1; FIG. 8 is a bottom plan view of the architectural ceiling panel apparatus of FIG. 1; FIG. 9 is an elevated perspective view of an architectural ceiling panel apparatus showing my new design in accordance with a second embodiment of the present invention; FIG. 10 is a bottom perspective view of the architectural ceiling panel apparatus of FIG. 9; FIG. 11 is a right-side plan view of the architectural ceiling panel apparatus of FIG. 9; FIG. 12 is a left-side plan view of the architectural ceiling panel apparatus of FIG. 9; FIG. 13 is a front plan view of the architectural ceiling panel apparatus of FIG. 9; FIG. 14 is a rear plan view of the architectural ceiling panel apparatus of FIG. 9; FIG. 15 is a top plan view of the architectural ceiling panel apparatus of FIG. 9; and, FIG. 16 is a bottom plan view of the architectural ceiling panel apparatus of FIG. 9.

**1 Claim, 8 Drawing Sheets**



(58) **Field of Classification Search**

USPC ..... D25/58, 103, 138, 150, 157; D26/9, 63,  
 D26/67, 72, 75-76, 80, 84-85, 88-89,  
 D26/90-92, 128, 686, 118, 120;  
 D59/1 D; D92/1 A, 1 B, 1 C; 5/104,  
 5/120; 52/506.07, 80.1, 22, 506.09, 752,  
 52/763, 309.1, 316, 222, 220.6, 236.1,  
 52/313, 390, 506.01, 506.06, 506.08;  
 280/18, 18.1; 297/273; 362/191, 278,  
 362/307, 355, 365, 490, 606; 428/51, 52,  
 428/106; 432/259; 434/127; 340/901  
 CPC .... F21S 8/06; F21S 8/061; F21S 8/063; F21S  
 8/065; F21S 8/068; E04B 9/061; E04B  
 9/26; E04B 9/122; E04B 9/003; E04B  
 9/0435; E04B 9/0478; E04B 9/068  
 See application file for complete search history.

(56) **References Cited**

U.S. PATENT DOCUMENTS

4,393,631 A 7/1983 Krent  
 4,666,171 A 5/1987 Sellers  
 5,149,117 A 9/1992 Wilkens, Sr. et al.  
 5,511,258 A 4/1996 Barr, Sr.

6,431,728 B1 \* 8/2002 Fredericks ..... B60Q 1/2696  
 340/901  
 7,152,997 B1 \* 12/2006 Kovacik ..... F21V 21/06  
 362/191  
 D588,736 S \* 3/2009 Smith ..... D26/63  
 D596,784 S \* 7/2009 Silver ..... D26/88  
 D601,745 S \* 10/2009 Sabernig ..... D26/90  
 D609,844 S \* 2/2010 Ngai ..... D26/88  
 D624,938 S 10/2010 Kelly et al.  
 D641,098 S \* 7/2011 Wildner ..... D26/85  
 D649,945 S \* 12/2011 Kim ..... D14/125  
 D668,371 S \* 10/2012 Alpaslan ..... D26/72  
 D668,374 S \* 10/2012 Wauters ..... D26/89  
 D680,681 S \* 4/2013 Boyer ..... D26/128  
 8,454,450 B1 6/2013 Cordray  
 D685,941 S \* 7/2013 Boyer ..... D26/67  
 8,528,266 B2 9/2013 Ellen  
 D702,393 S \* 4/2014 Ansierowicz ..... D26/89  
 D713,595 S \* 9/2014 Lechtenberg ..... D26/118  
 D722,066 S \* 2/2015 Baker ..... D14/451  
 D724,777 S \* 3/2015 Curran-Blaney ..... D26/118  
 D740,480 S \* 10/2015 Thompson ..... D26/90  
 D751,752 S \* 3/2016 Dodge ..... D26/120  
 D761,483 S \* 7/2016 Pratt ..... D26/118  
 2008/0084698 A1 \* 4/2008 Kinnune ..... F21V 21/02  
 362/365  
 2010/0095606 A1 4/2010 Bankston

\* cited by examiner

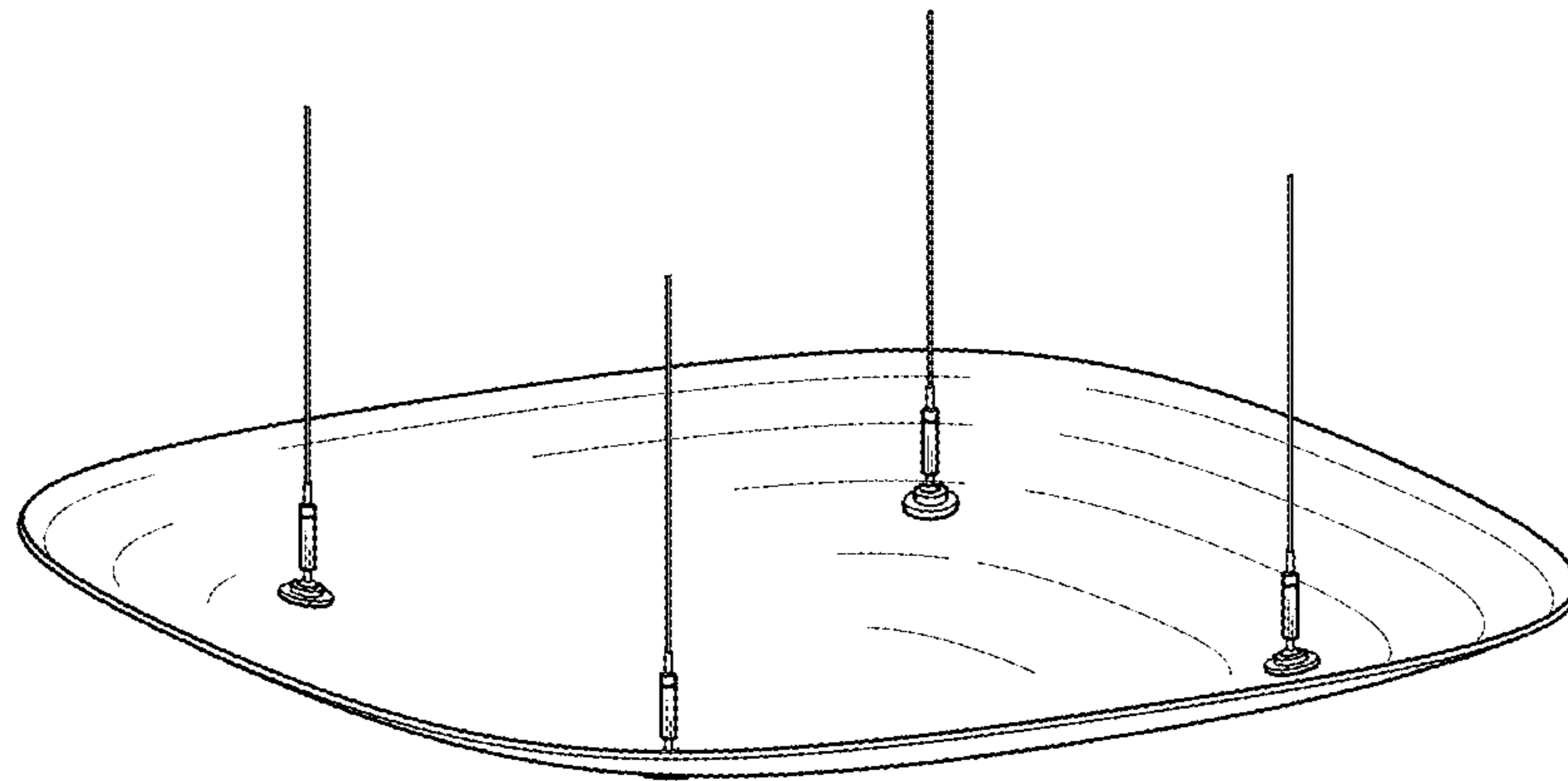


FIG. 1

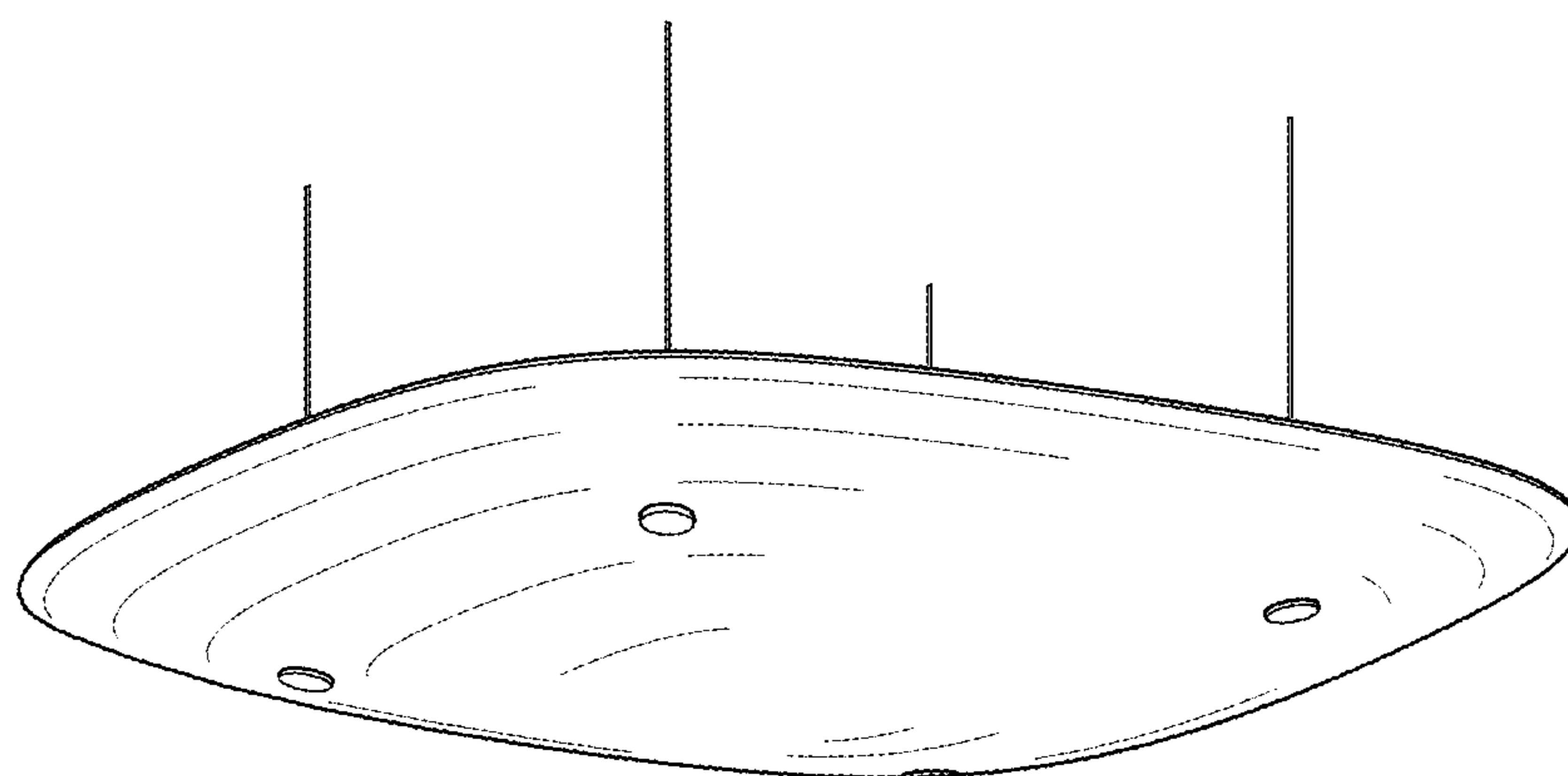


FIG. 2

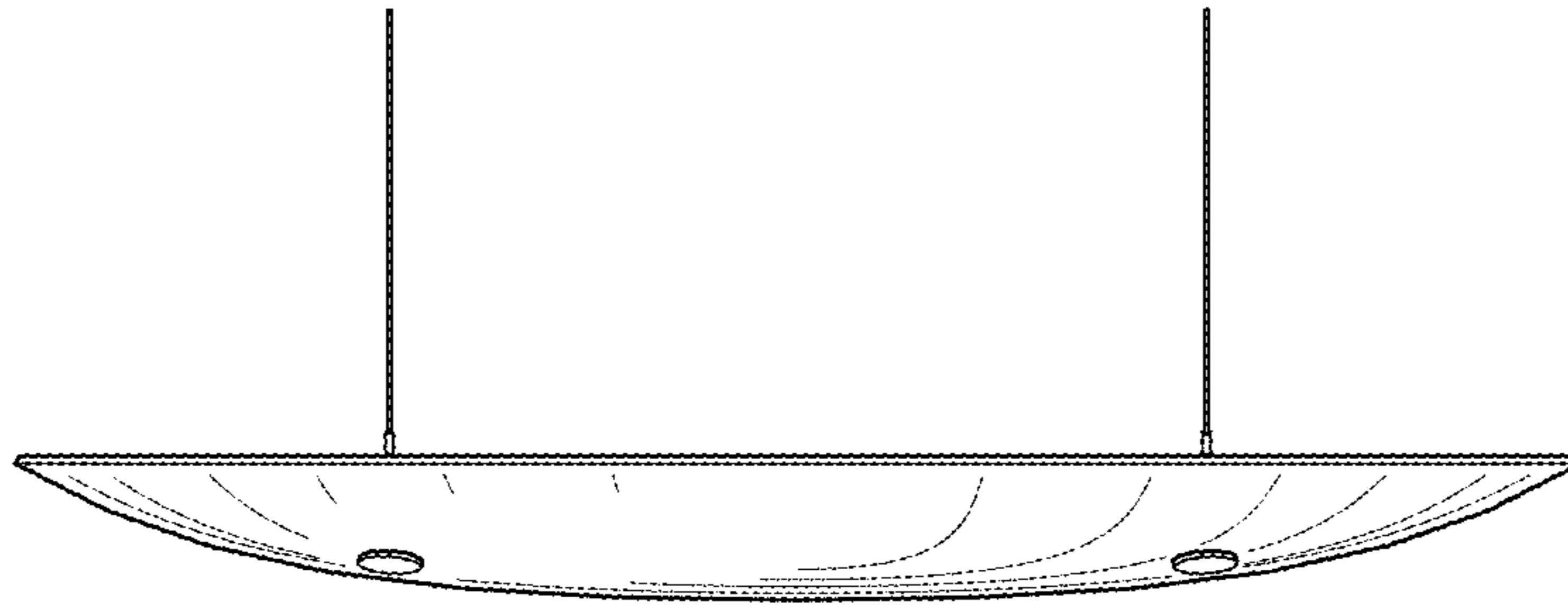


FIG. 3

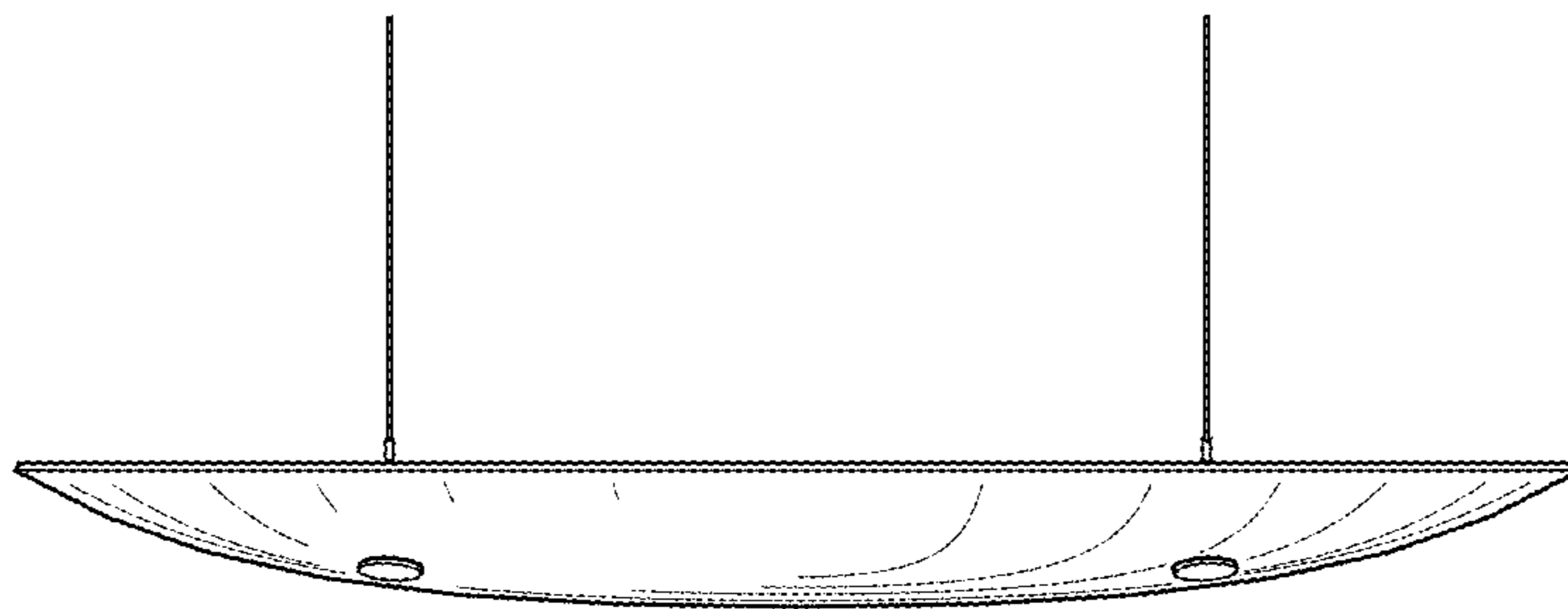


FIG. 4

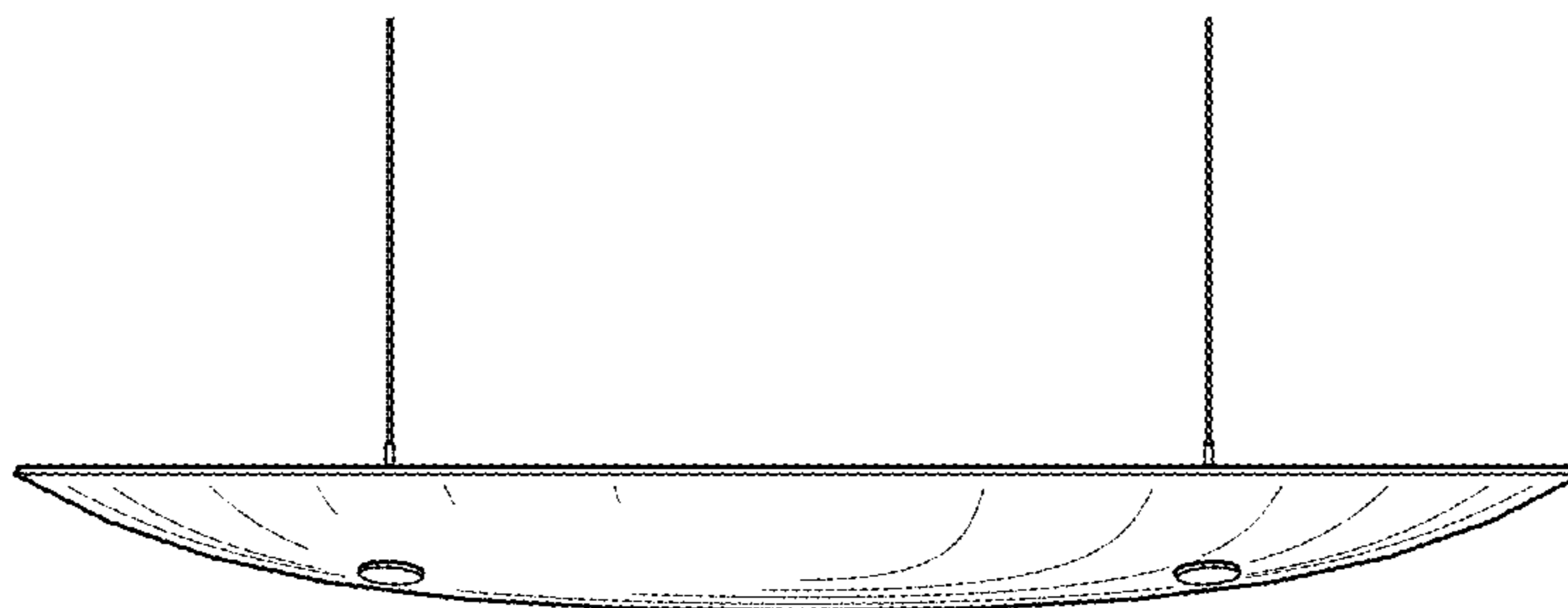


FIG. 5

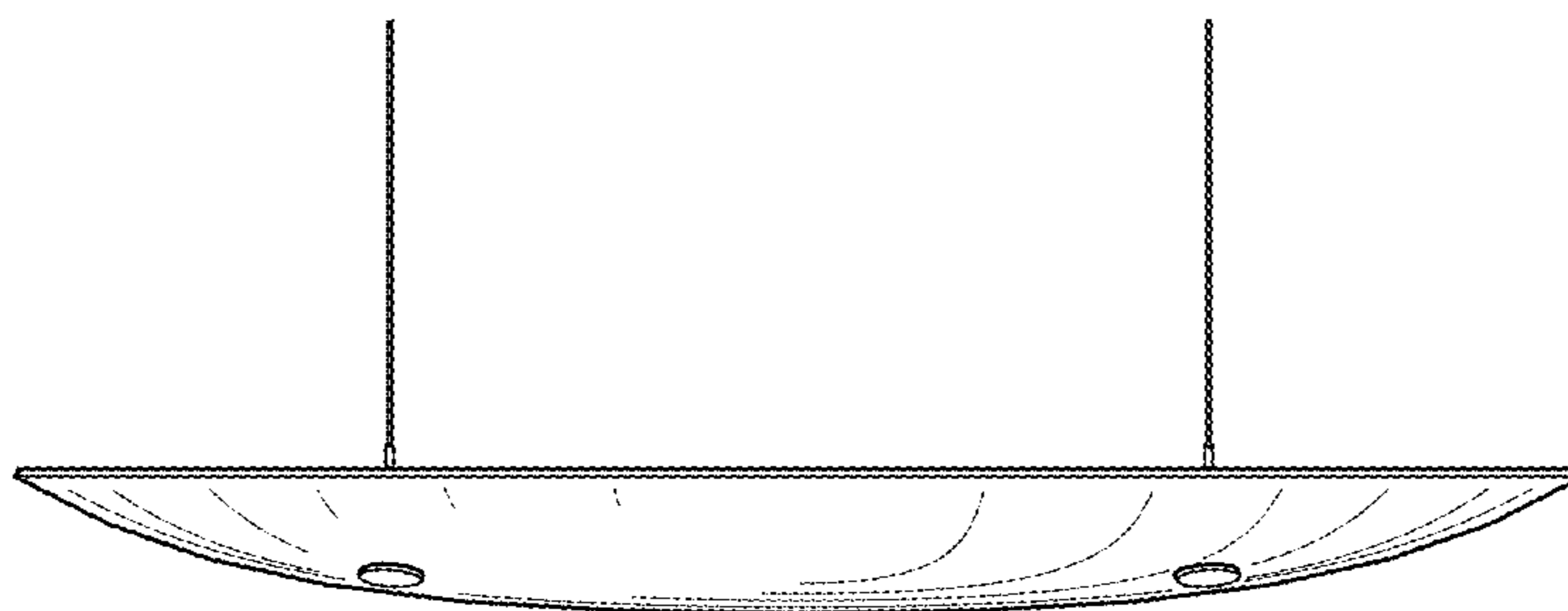


FIG. 6

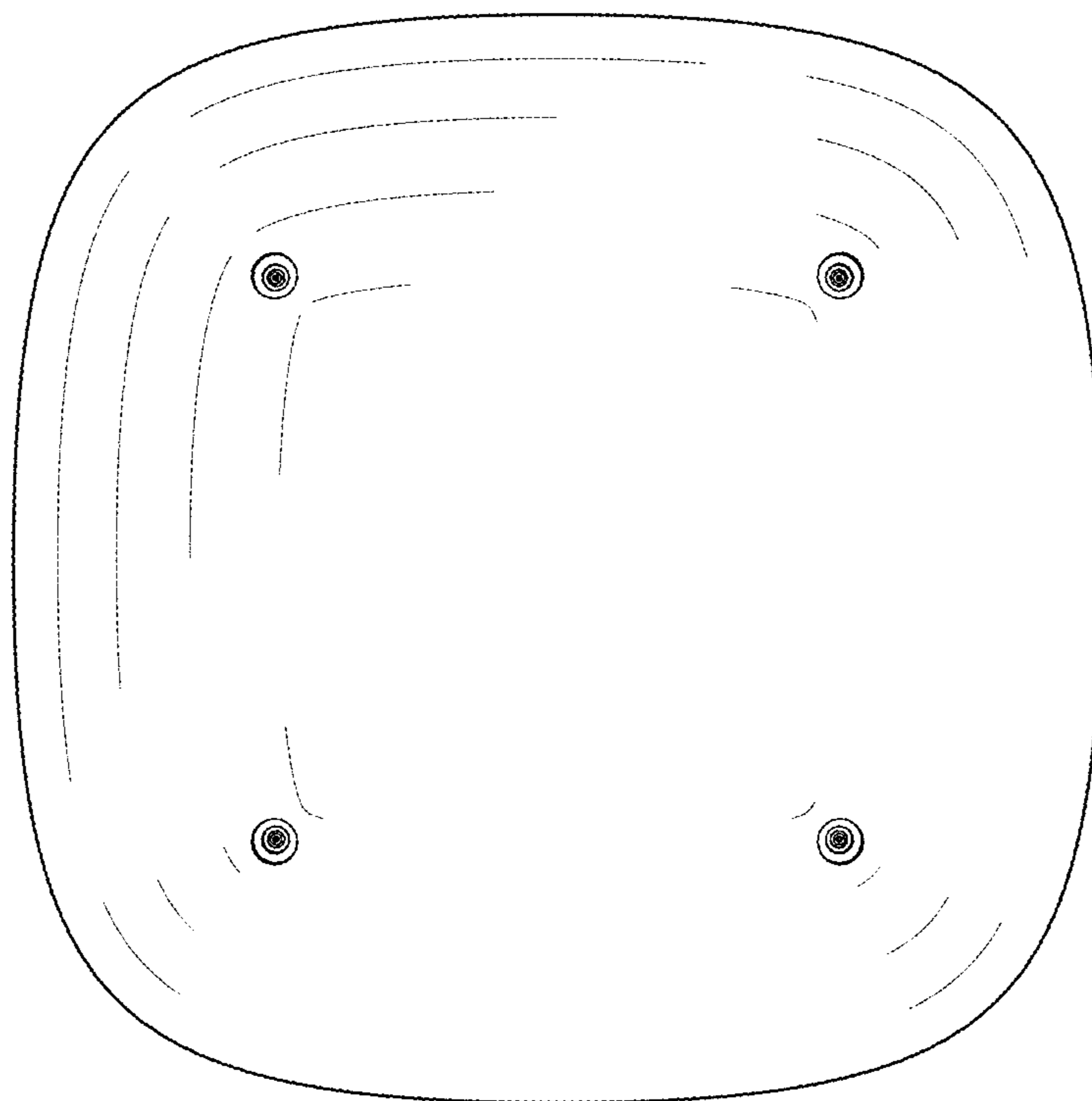


FIG. 7

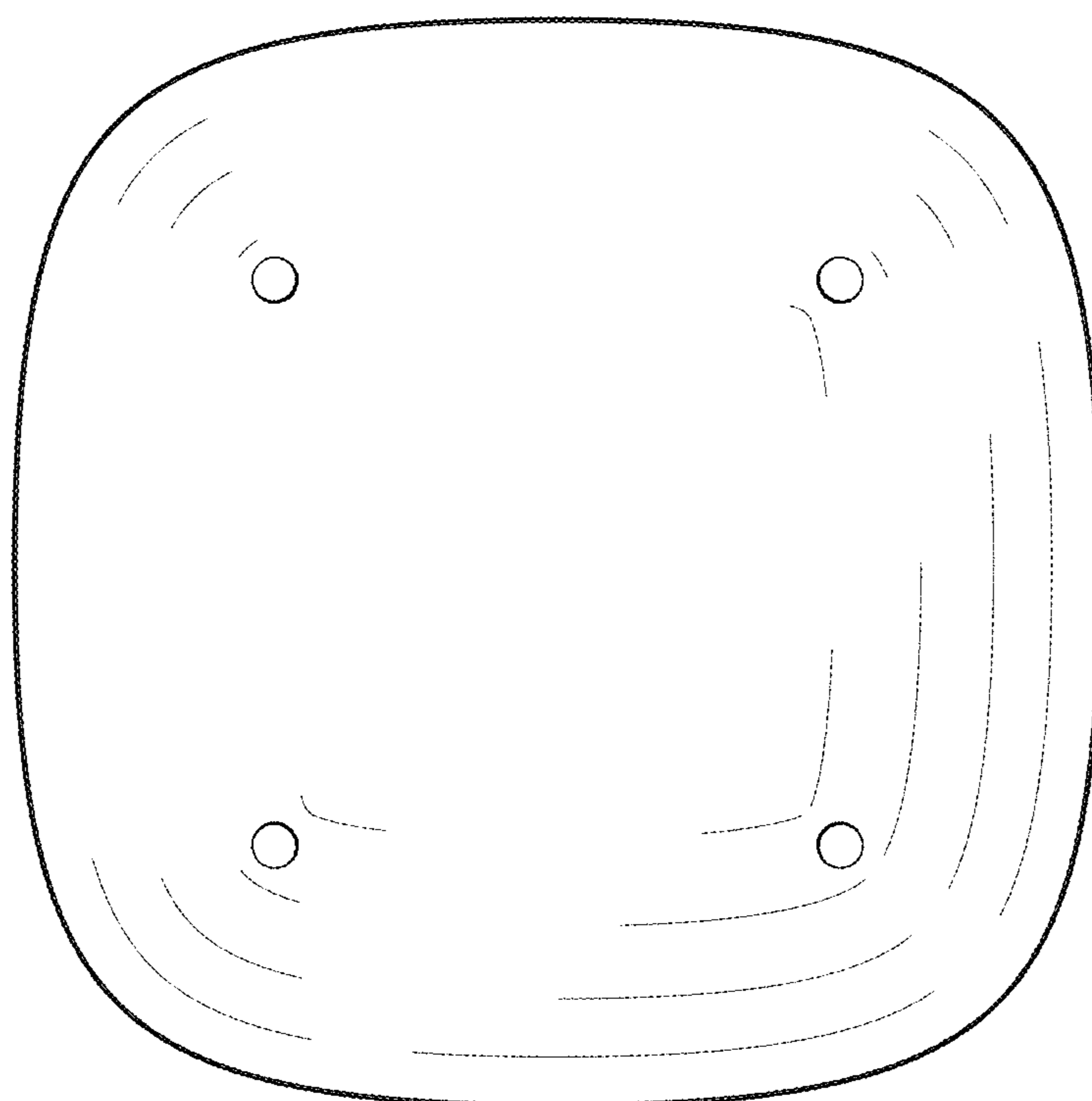


FIG. 8

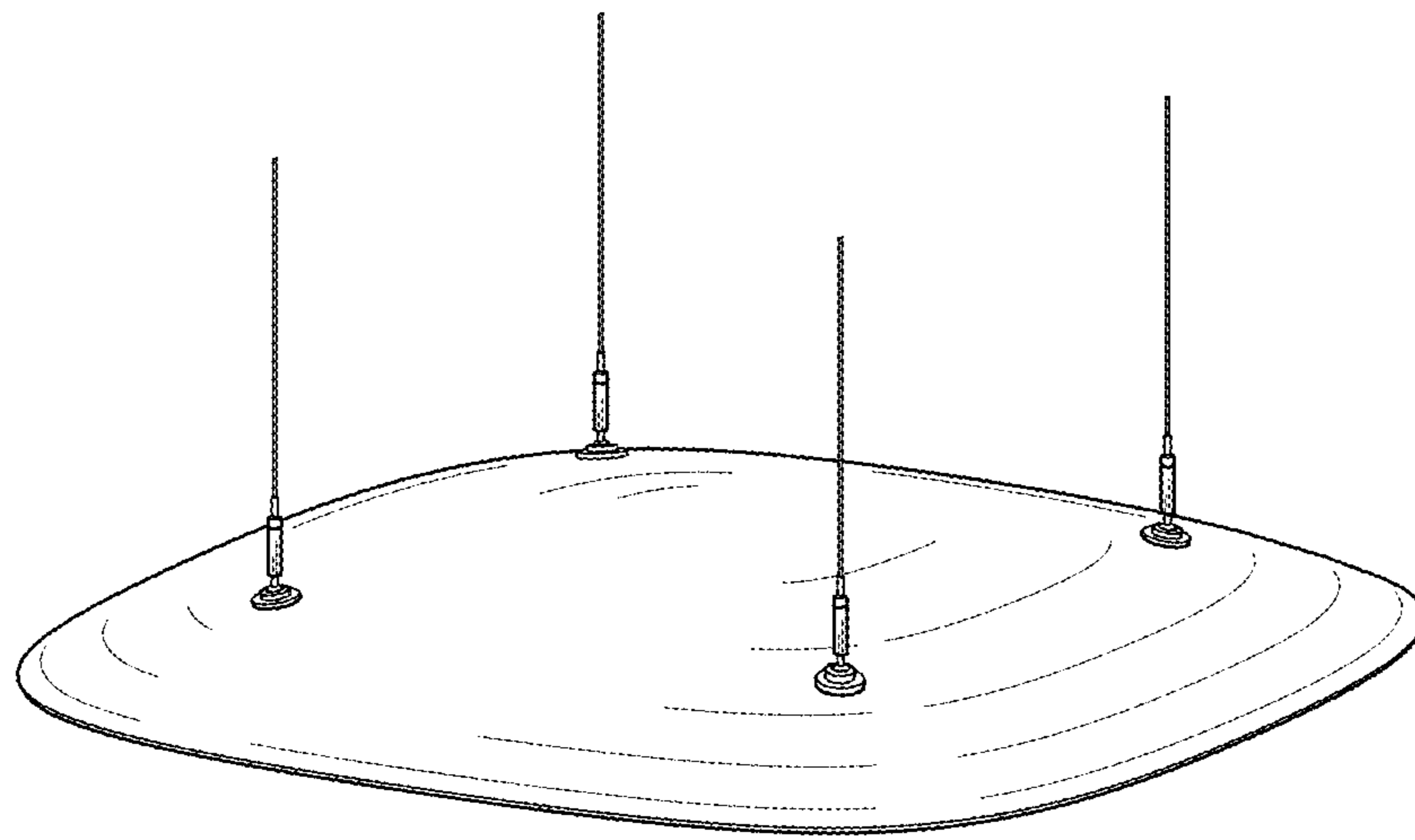


FIG. 9

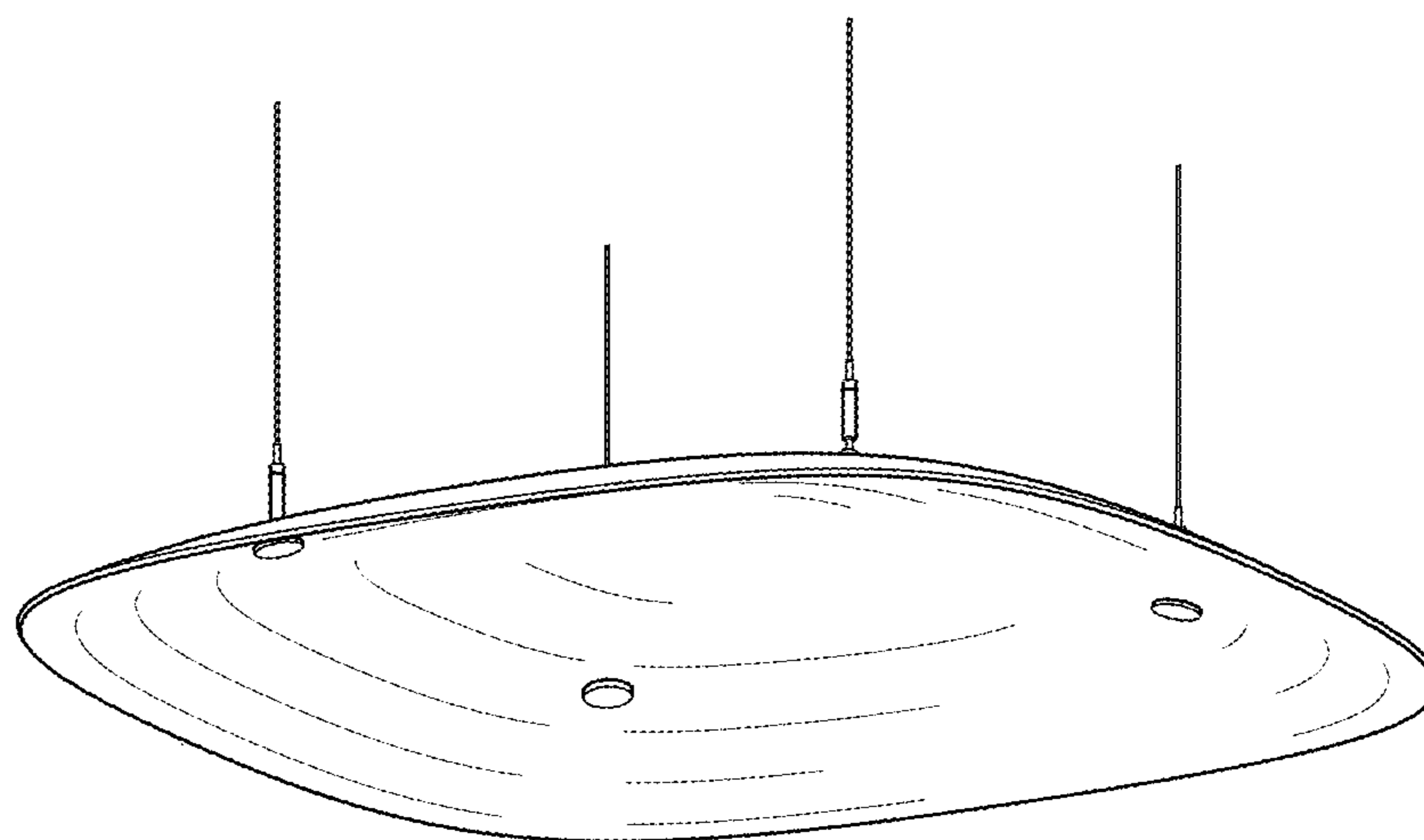


FIG. 10

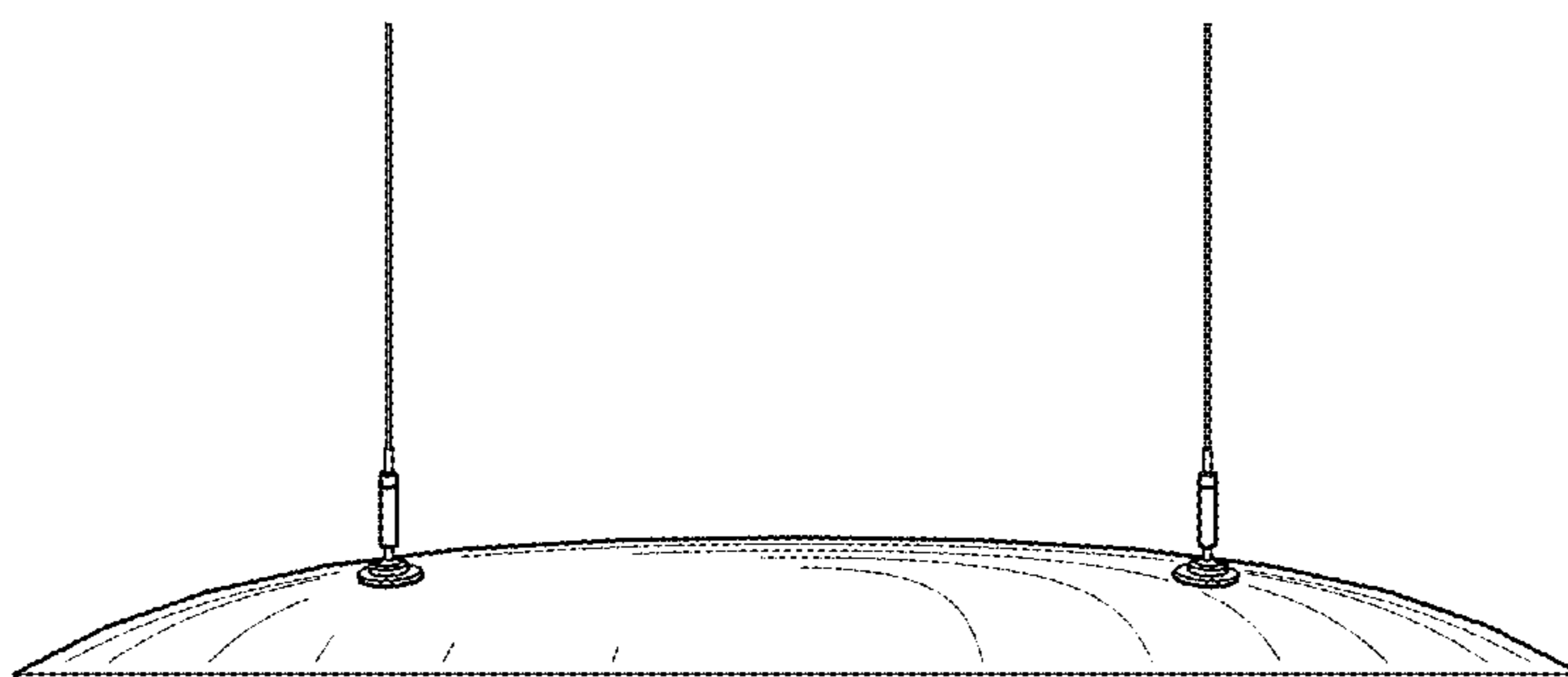


FIG. 11

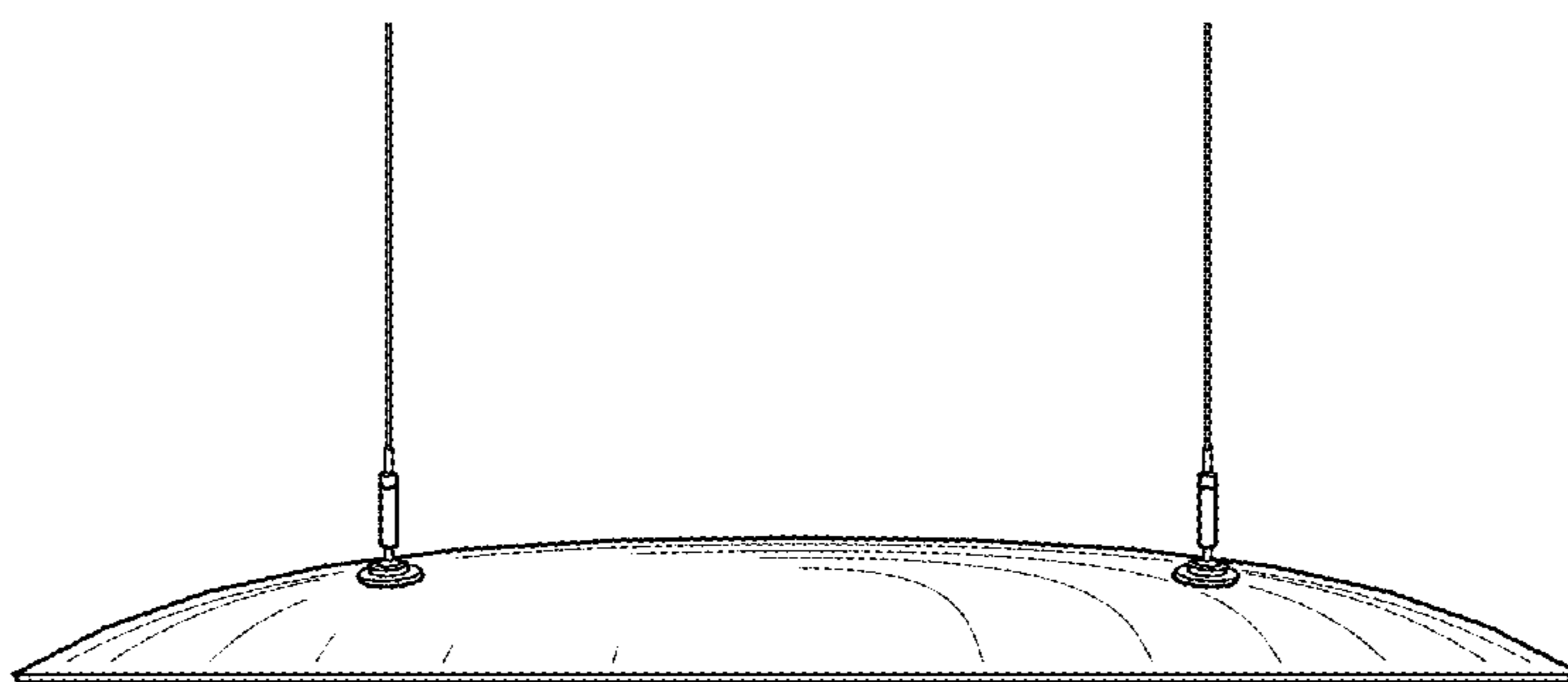


FIG. 12



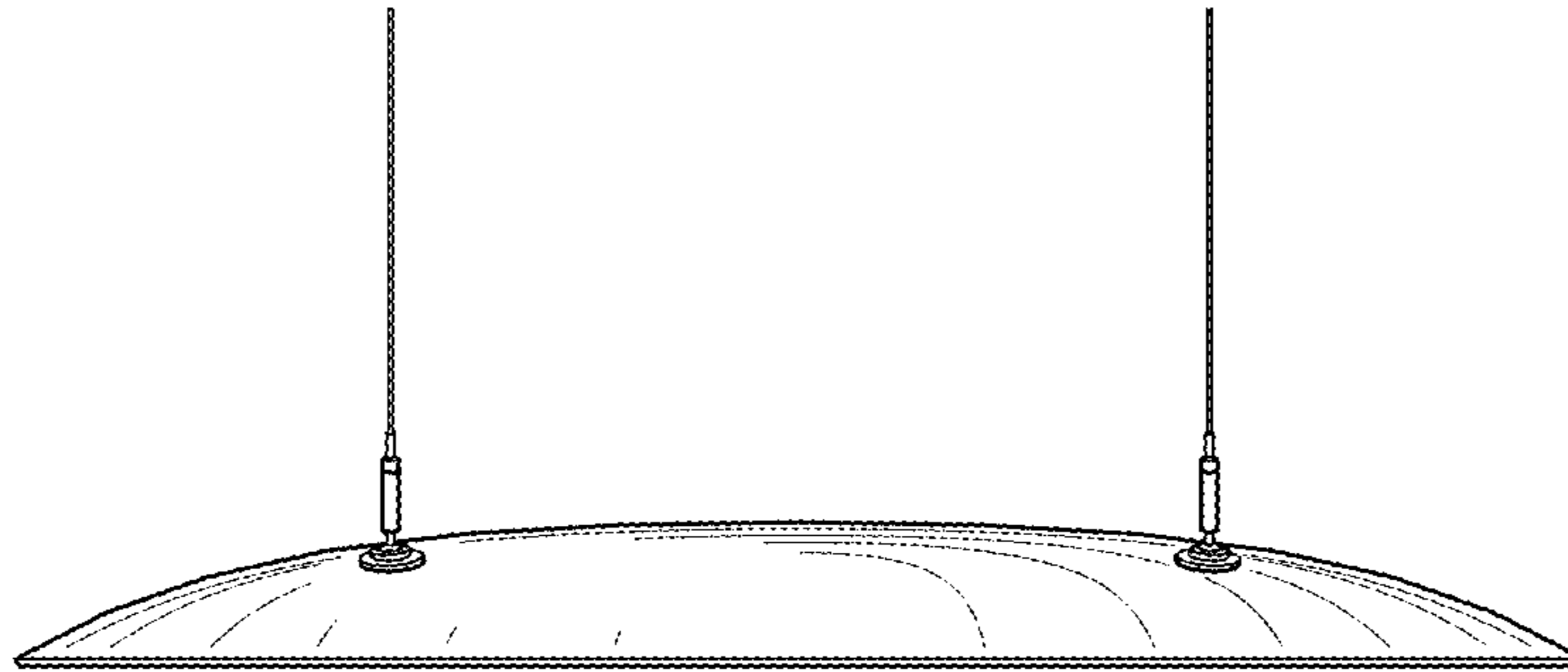


FIG. 13

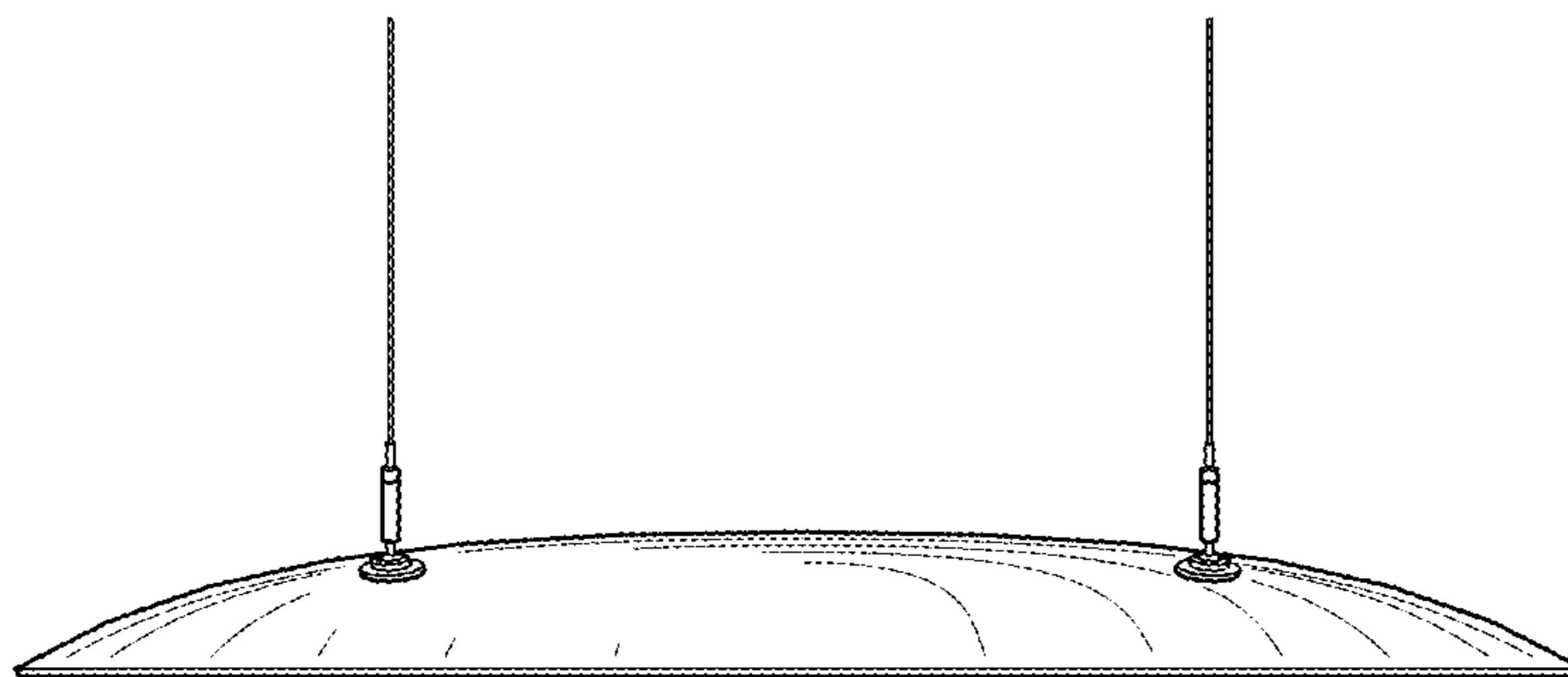


FIG. 14

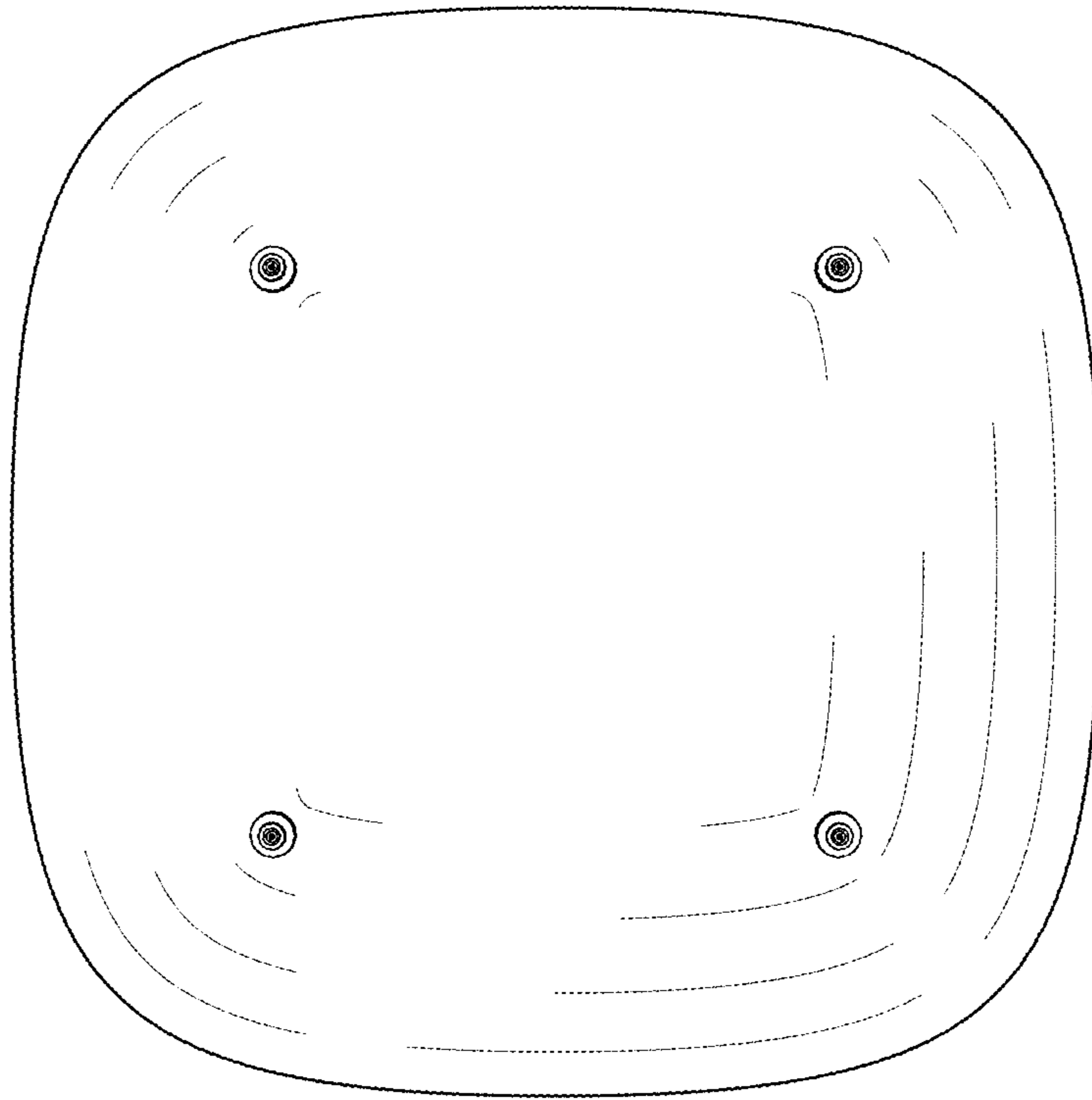


FIG. 15

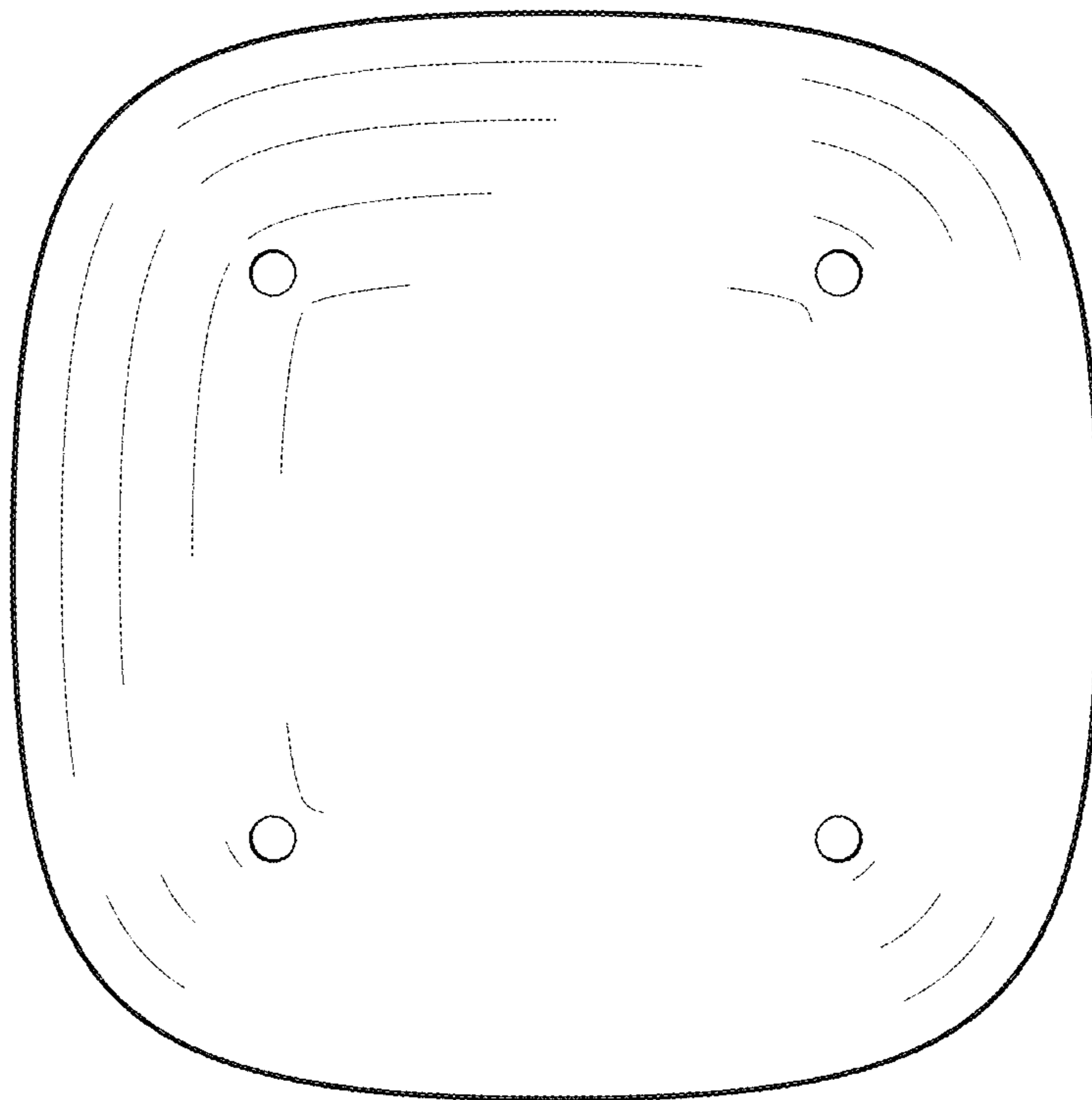


FIG. 16