



US00D796696S

(12) **United States Design Patent** (10) **Patent No.:** **US D796,696 S**
Quan Rosales et al. (45) **Date of Patent:** **** Sep. 5, 2017**

- (54) **DECK BLOCK**
- (71) Applicant: **Oldcastle Building Products Canada Inc., Saint-John (New Brunswick) (CA)**
- (72) Inventors: **Oscar Quan Rosales, Montreal (CA); John Penterman, Montreal (CA); Joël Rémillard, Terrebonne (CA); Bertin Castonguay, Magog (CA)**
- (73) Assignee: **Oldcastle Building Products Canada Inc., Saint-John (New Brunswick) (CA)**

- 5,392,575 A * 2/1995 Hoffman E02D 27/02
52/169.9
 - 5,953,874 A * 9/1999 Hoffman E02D 27/01
52/294
 - 6,345,474 B1 * 2/2002 Triplett E02D 27/01
405/229
 - 6,397,552 B1 * 6/2002 Bourque E04B 1/003
52/712
 - RE39,097 E * 5/2006 Schilham E04F 15/02452
52/220.1
 - D598,736 S * 8/2009 Wakasugi D8/382
 - D599,649 S * 9/2009 Wakasugi D8/382
 - D674,916 S * 1/2013 Cetindag D25/61
- (Continued)

- (**) Term: **15 Years**
- (21) Appl. No.: **29/589,940**
- (22) Filed: **Jan. 5, 2017**

Related U.S. Application Data

- (62) Division of application No. 29/517,583, filed on Feb. 13, 2015, now Pat. No. Des. 779,683.
- (51) **LOC (10) Cl.** **25-01**
- (52) **U.S. Cl.**
USPC **D25/113**
- (58) **Field of Classification Search**
USPC D21/484-486, 489-494, 499-502, 504,
D21/505; D25/61, 62, 68, 102, 113, 114,
D25/115, 118, 126, 128, 131, 132, 133,
D25/134, 199; 52/311.2, 712, 713;
404/38, 41, 42
CPC E04B 1/03; E04B 1/2612; E04B 2001/405;
E04F 19/00; E01C 11/225; E01C 5/00
See application file for complete search history.

(56) **References Cited**

U.S. PATENT DOCUMENTS

- 4,724,642 A * 2/1988 Hoffman E02D 27/02
403/170
- 5,286,139 A * 2/1994 Hair E01C 11/225
404/38

FOREIGN PATENT DOCUMENTS

- CA 157888 * 3/2015

OTHER PUBLICATIONS

<http://design-milk.com/permeare-by-renata-rubim-for-solarium-revest/> Posted Apr. 15, 2010.*
(Continued)

Primary Examiner — Susan Bennett Hattan
Assistant Examiner — Leanne Was-Englehart
(74) *Attorney, Agent, or Firm* — Price Heneveld LLP

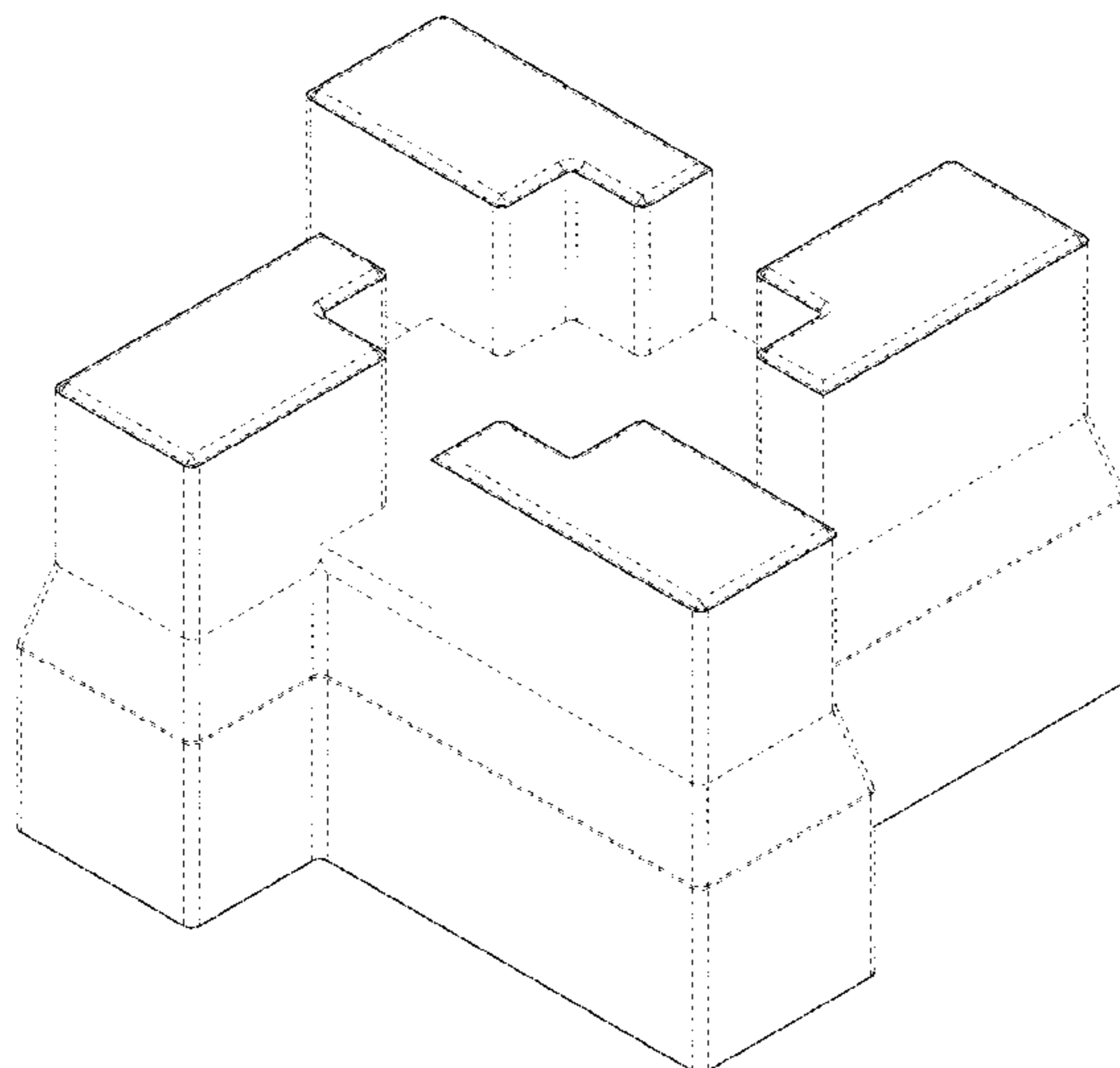
(57) **CLAIM**

The ornamental design for a deck block, as shown and described.

DESCRIPTION

FIG. 1 is a perspective view of a deck block; FIG. 2 is a front view of the deck block of FIG. 1, the left-side, right-side and rear views being identical thereto; FIG. 3 is a top view of the deck block of FIG. 1; and, FIG. 4 is a bottom view of the deck block of FIG. 1. The broken lines shown in the drawings illustrate portions of the article and form no part of the design.

1 Claim, 4 Drawing Sheets



(56)

References Cited

U.S. PATENT DOCUMENTS

8,464,491 B2 * 6/2013 MacDonald E04C 1/395
446/117
D700,359 S * 2/2014 Elizarraras D25/55
D779,683 S * 2/2017 Quan Rosales D25/113
2005/0072105 A1 * 4/2005 Hoffman E02D 27/01
52/698
2013/0232758 A1 * 9/2013 Pond F16B 17/00
29/428

OTHER PUBLICATIONS

[http://www.solariumrevestimentos.com.br/blog/tres-novas-linhas-
assinadas-pela-designer-renata-rubim/](http://www.solariumrevestimentos.com.br/blog/tres-novas-linhas-
assinadas-pela-designer-renata-rubim/) Posted Mar. 11, 2010.*

* cited by examiner

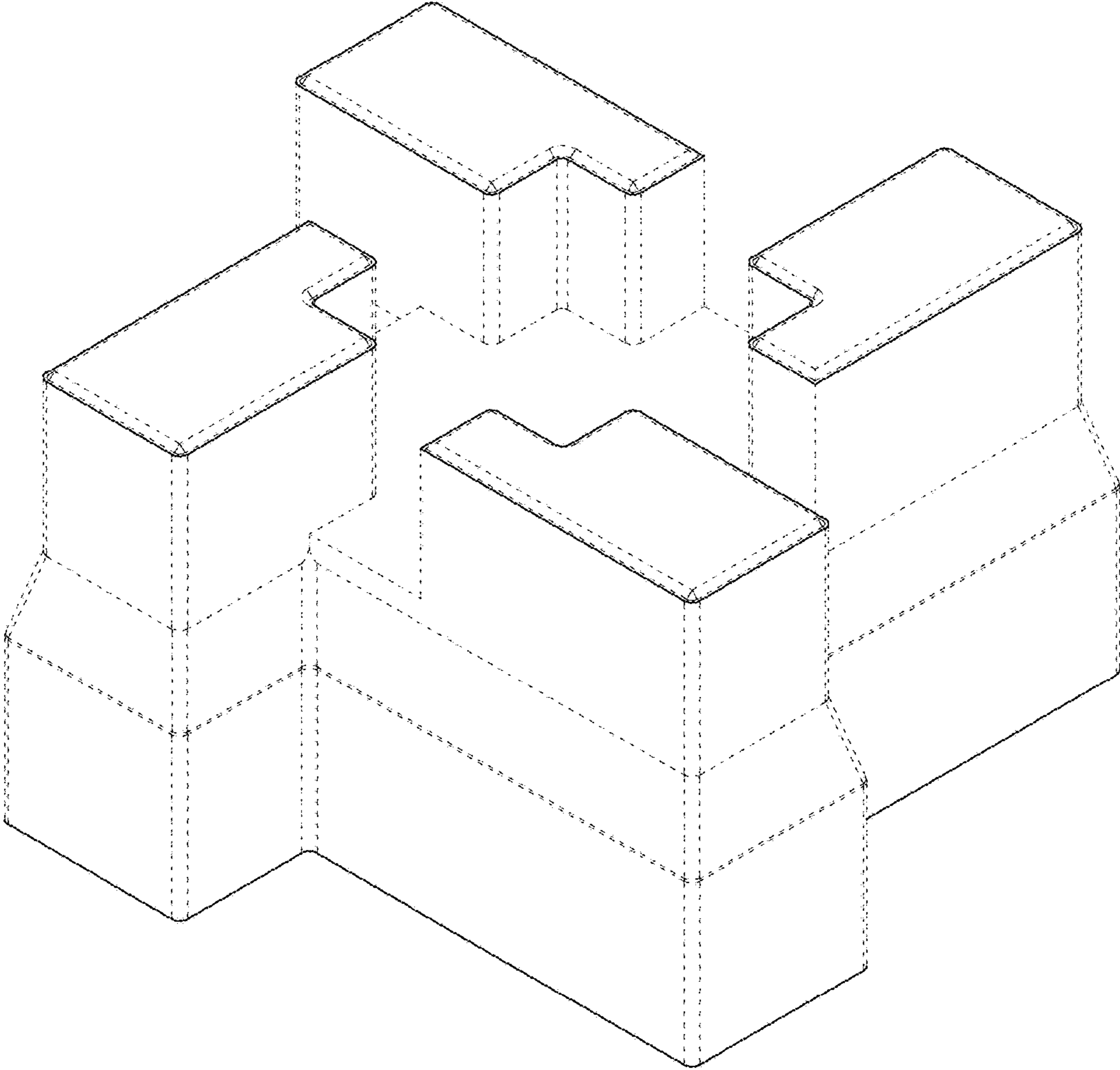


FIG. 1

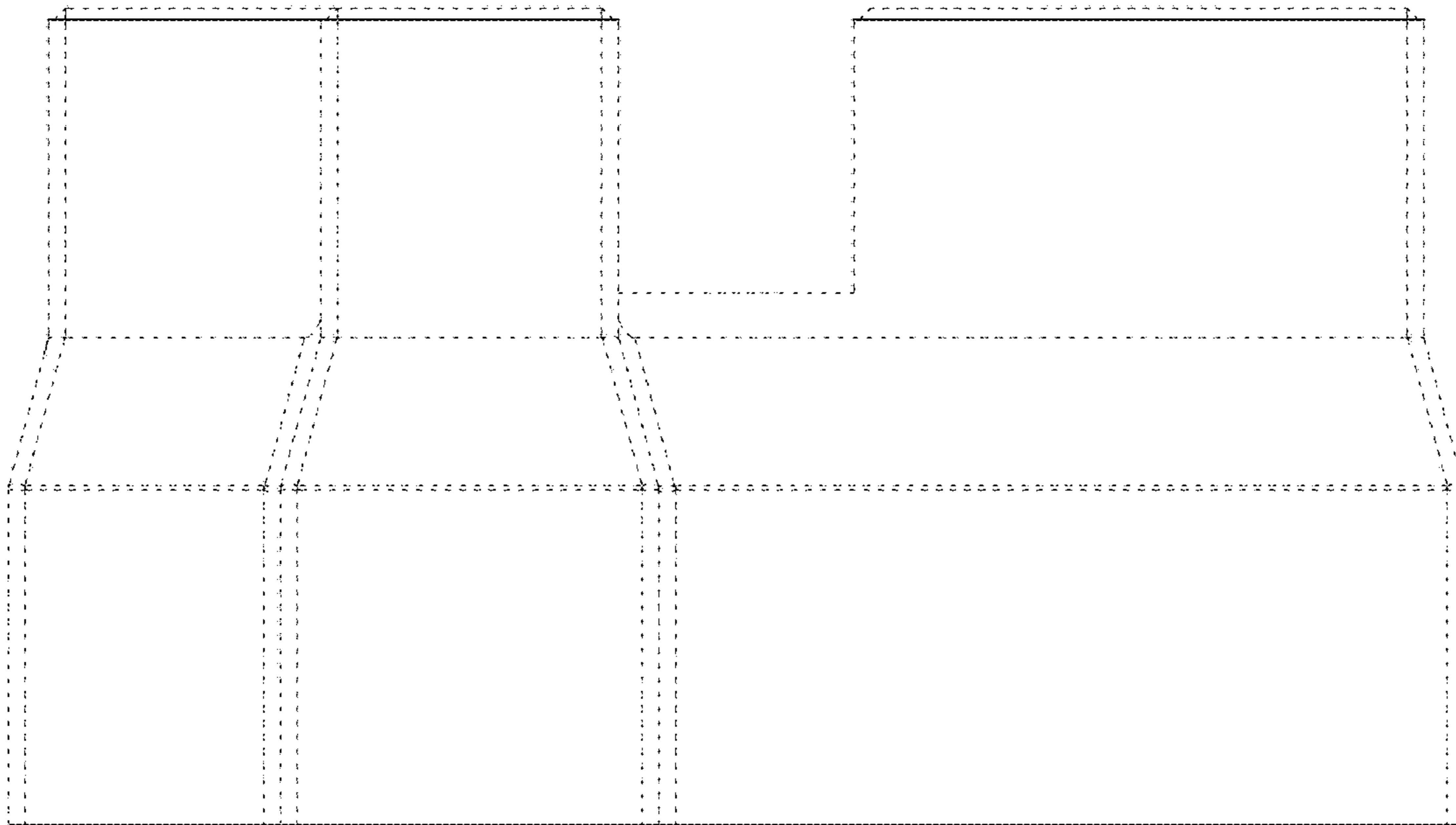


FIG. 2

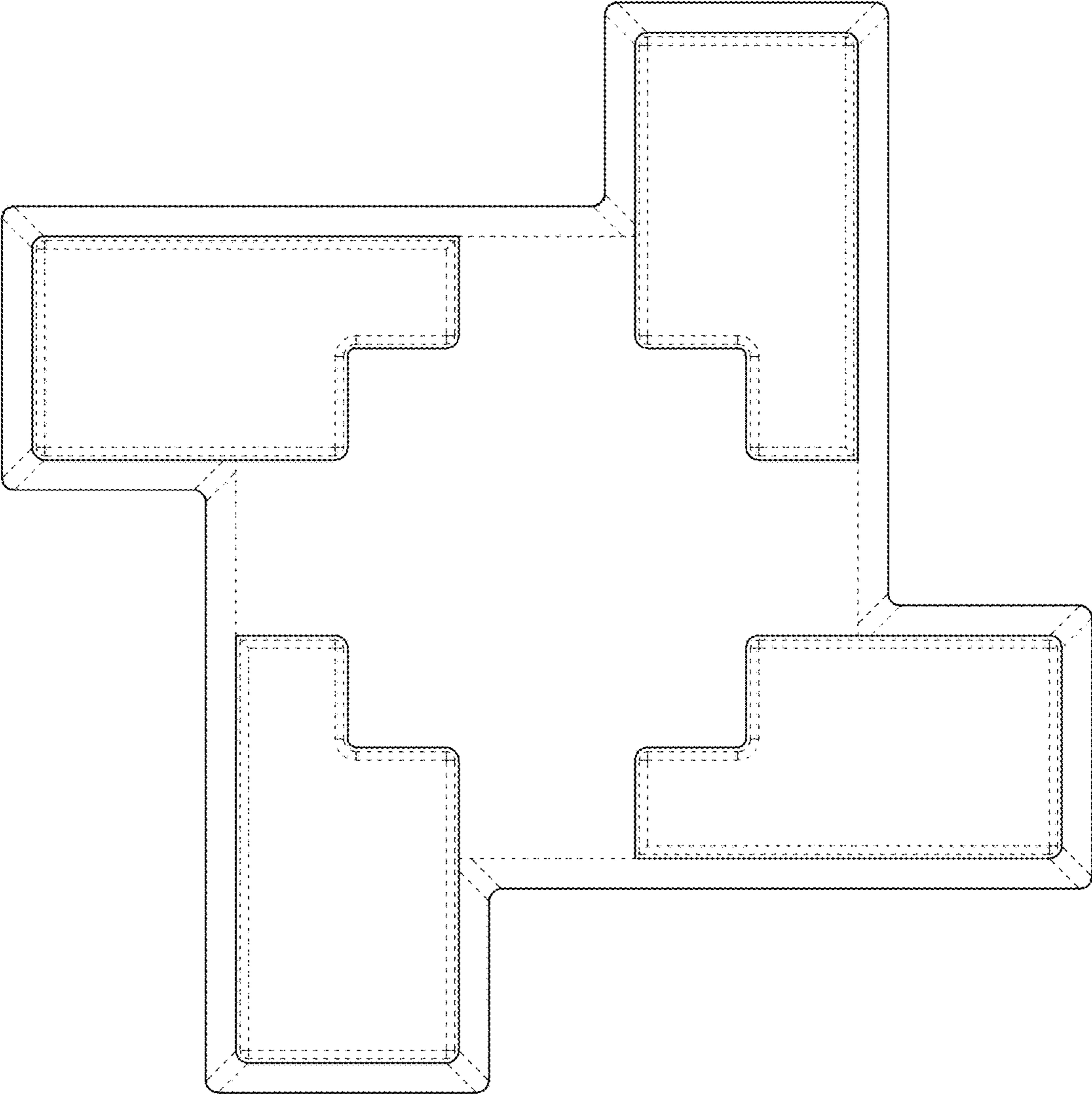


FIG. 3

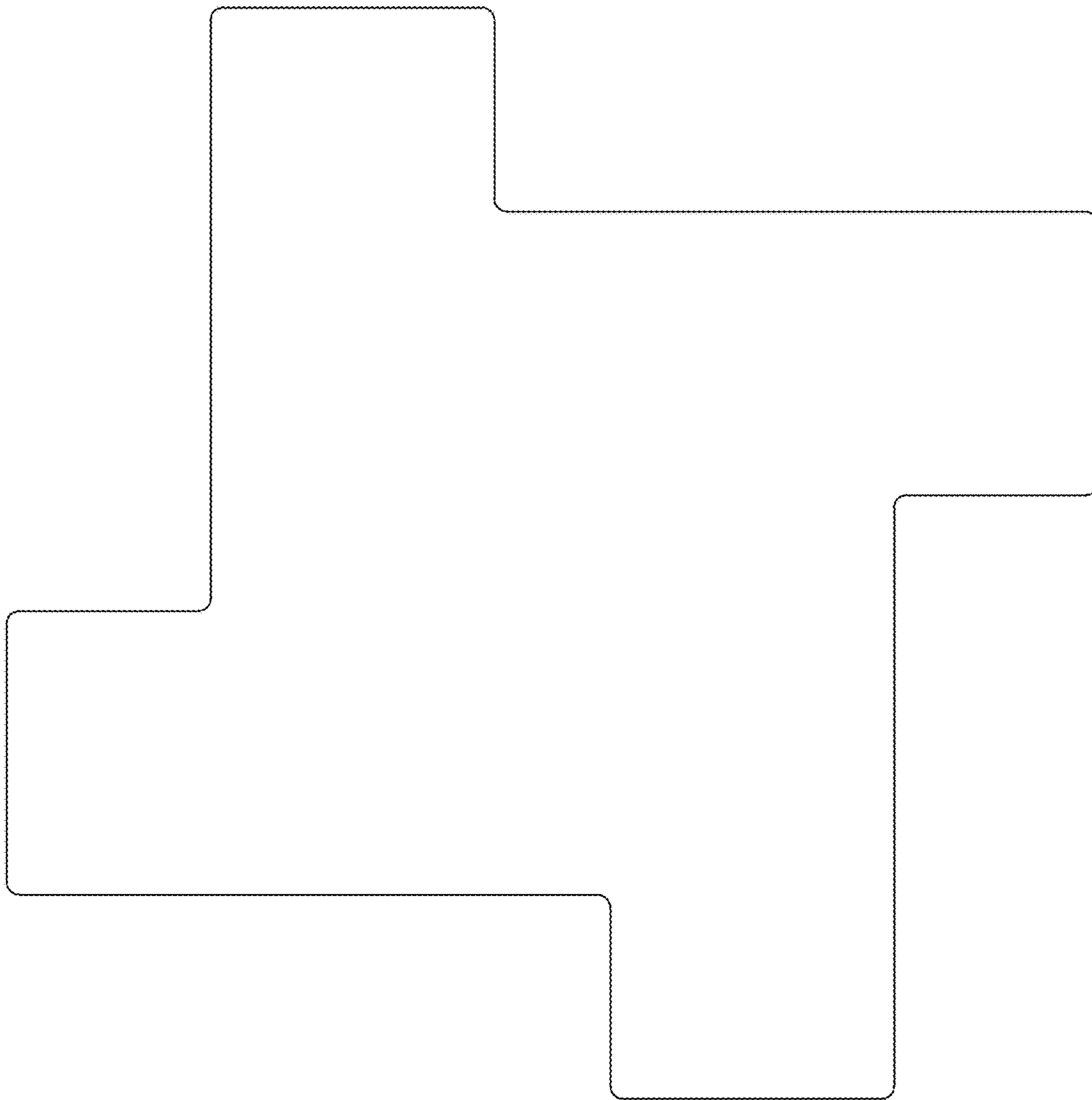


FIG. 4