



US00D796694S

(12) **United States Design Patent** (10) **Patent No.:** **US D796,694 S**
Green (45) **Date of Patent:** **** Sep. 5, 2017**

(54) LADDER	5,740,883 A *	4/1998	Trank	E06C 7/14 182/129
(71) Applicant: LockNClimb, LLC , Independence, KS (US)	6,698,550 B2 *	3/2004	Crain	E06C 1/22 182/166
(72) Inventor: Jeffrey Alan Green , Independence, KS (US)	D721,825 S *	1/2015	Green	D25/68
	D722,181 S *	2/2015	Green	D25/64
	D722,182 S *	2/2015	Green	D25/64
	D745,191 S *	12/2015	Green	D25/64
(73) Assignee: LOCK N CLIMB, LLC , Independence, KS (US)	2015/0354276 A1 *	12/2015	Green	E06C 1/16 182/172
	2016/0024844 A1 *	1/2016	Neubauer	E06C 1/38 182/106

(**) Term: **15 Years**

(21) Appl. No.: **29/558,835**

(22) Filed: **Mar. 22, 2016**

(51) **LOC (10) Cl.** **25-04**

(52) **U.S. Cl.**
USPC **D25/64**

(58) **Field of Classification Search**
USPC D25/62-69; 182/180.1, 129, 18, 172,
182/156, 166, 111, 23, 152, 167, 170,
182/173, 180.2, 179.1, 194, 165, 201,
182/159, 162, 112, 113, 215, 220, 120,
182/106, 26, 115, 207; 248/210, 238,
248/236

CPC . E06C 1/125; E06C 1/10; E06C 1/383; E06C
7/50; E06C 7/04

See application file for complete search history.

(56) **References Cited**

U.S. PATENT DOCUMENTS

4,565,262 A *	1/1986	Hawkins	E06C 1/12 182/116
4,798,262 A *	1/1989	Margolies	E06C 1/20 182/106

* cited by examiner

Primary Examiner — Cynthia Ramirez

Assistant Examiner — Gino Colan

(74) *Attorney, Agent, or Firm* — Katten Muchin
Rosenman LLP

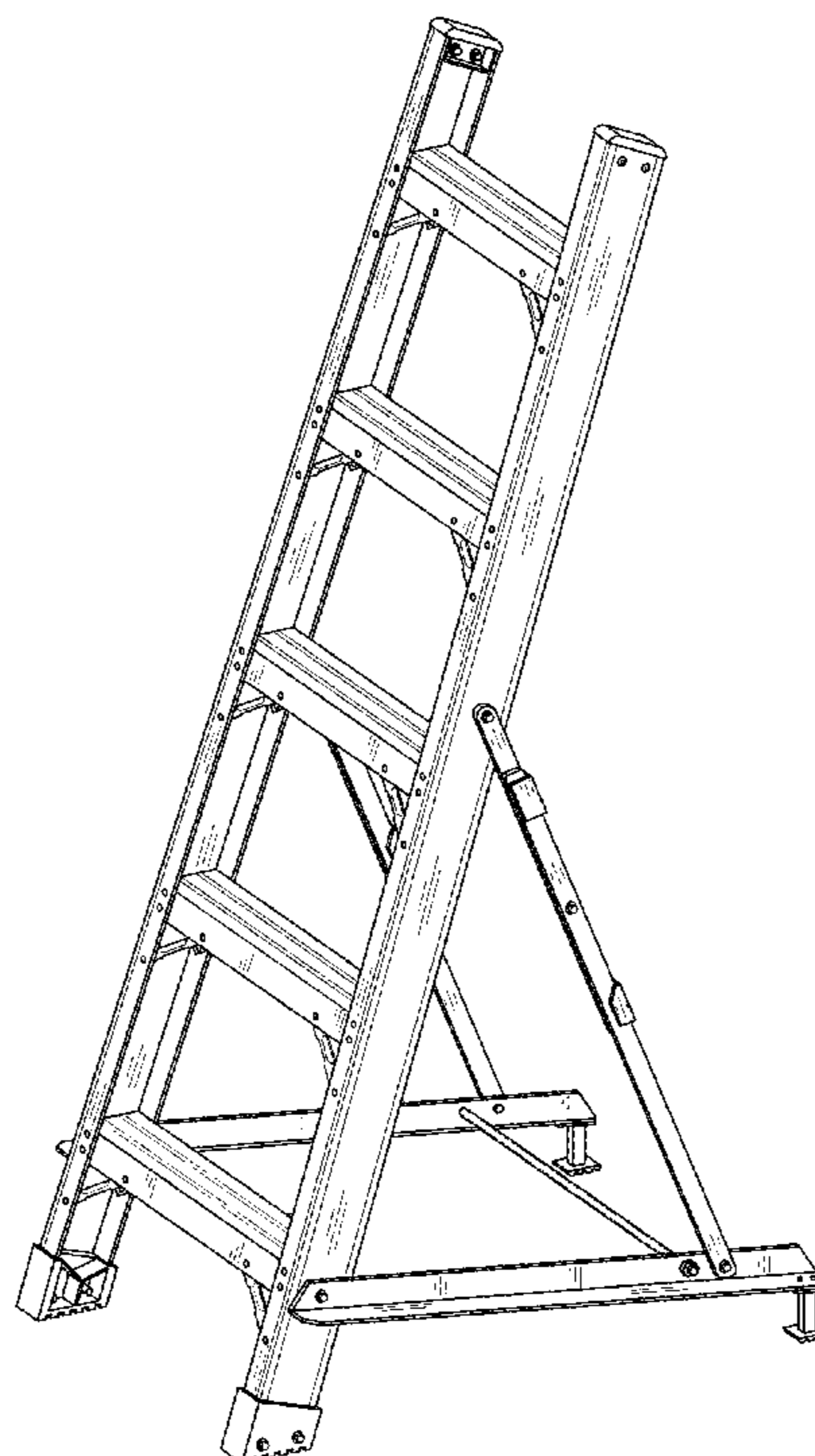
(57) **CLAIM**

The ornamental design for a ladder, as shown and described.

DESCRIPTION

FIG. 1 is a front perspective view of a ladder showing my new design;
FIG. 2 is a front elevational view thereof;
FIG. 3 is a rear elevational view thereof;
FIG. 4 is a right elevational view thereof;
FIG. 5 is a left elevational view thereof;
FIG. 6 is a top plan view thereof;
FIG. 7 is a bottom plan view thereof; and,
FIG. 8 is a front perspective view thereof, in a folded position.

1 Claim, 6 Drawing Sheets



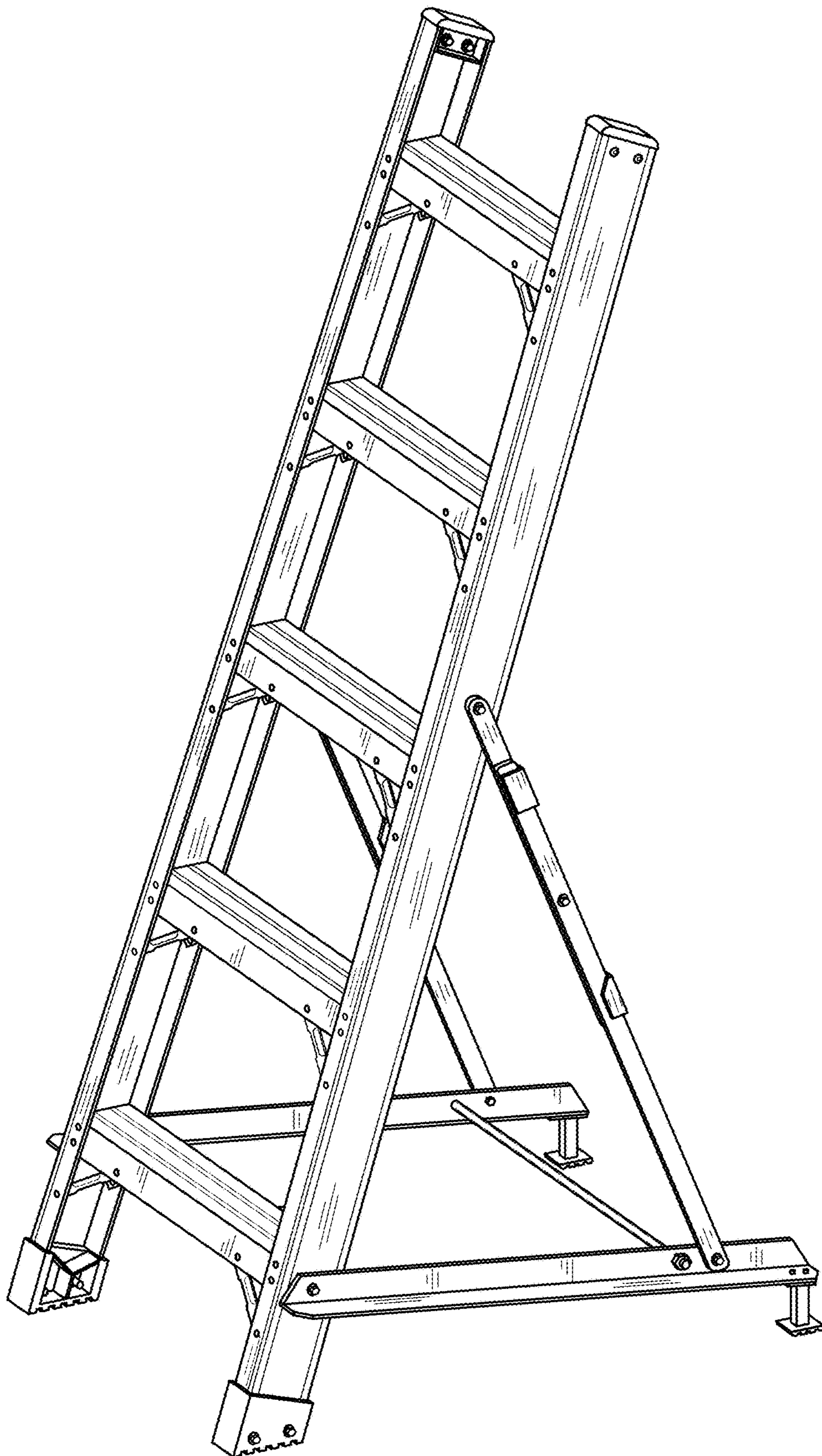


FIG. 1

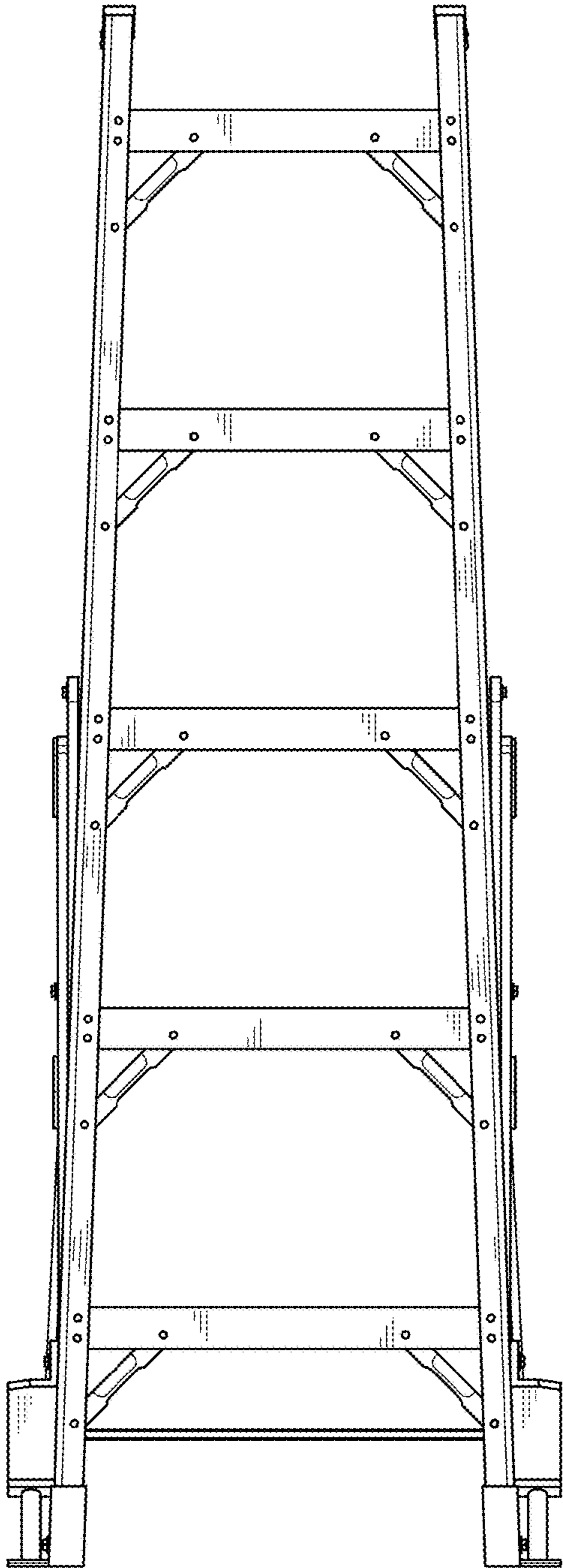


FIG. 2

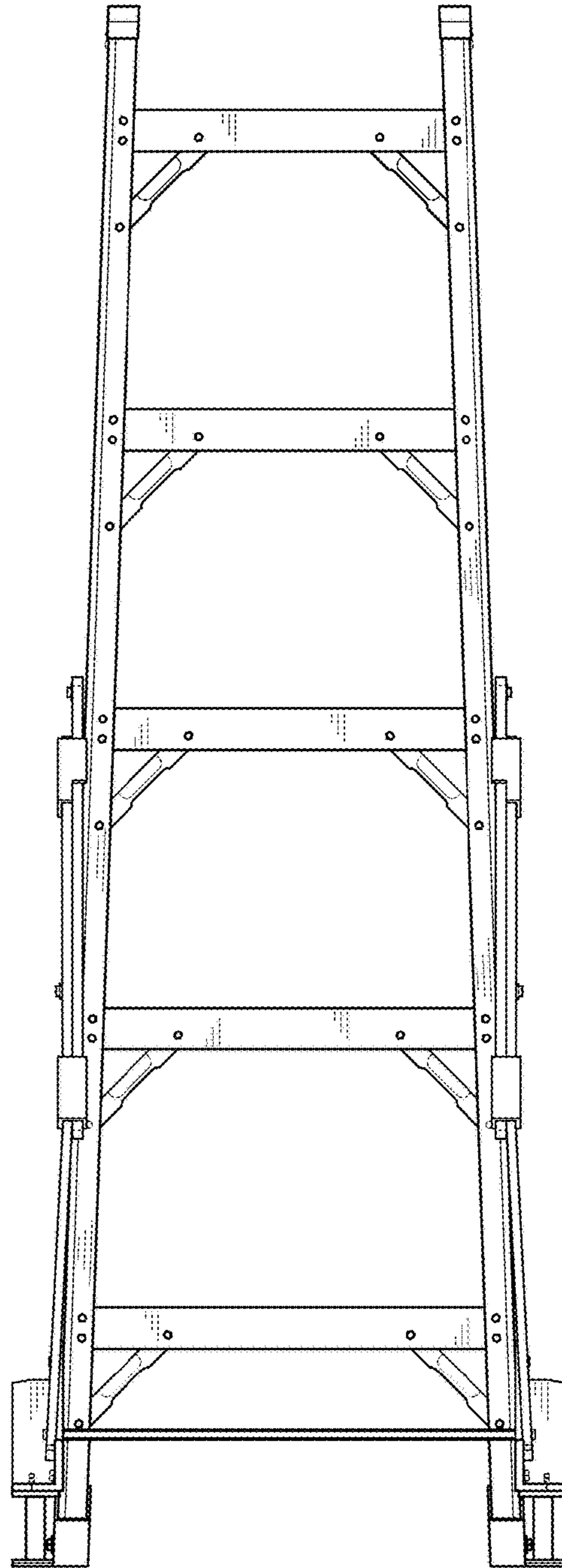


FIG. 3

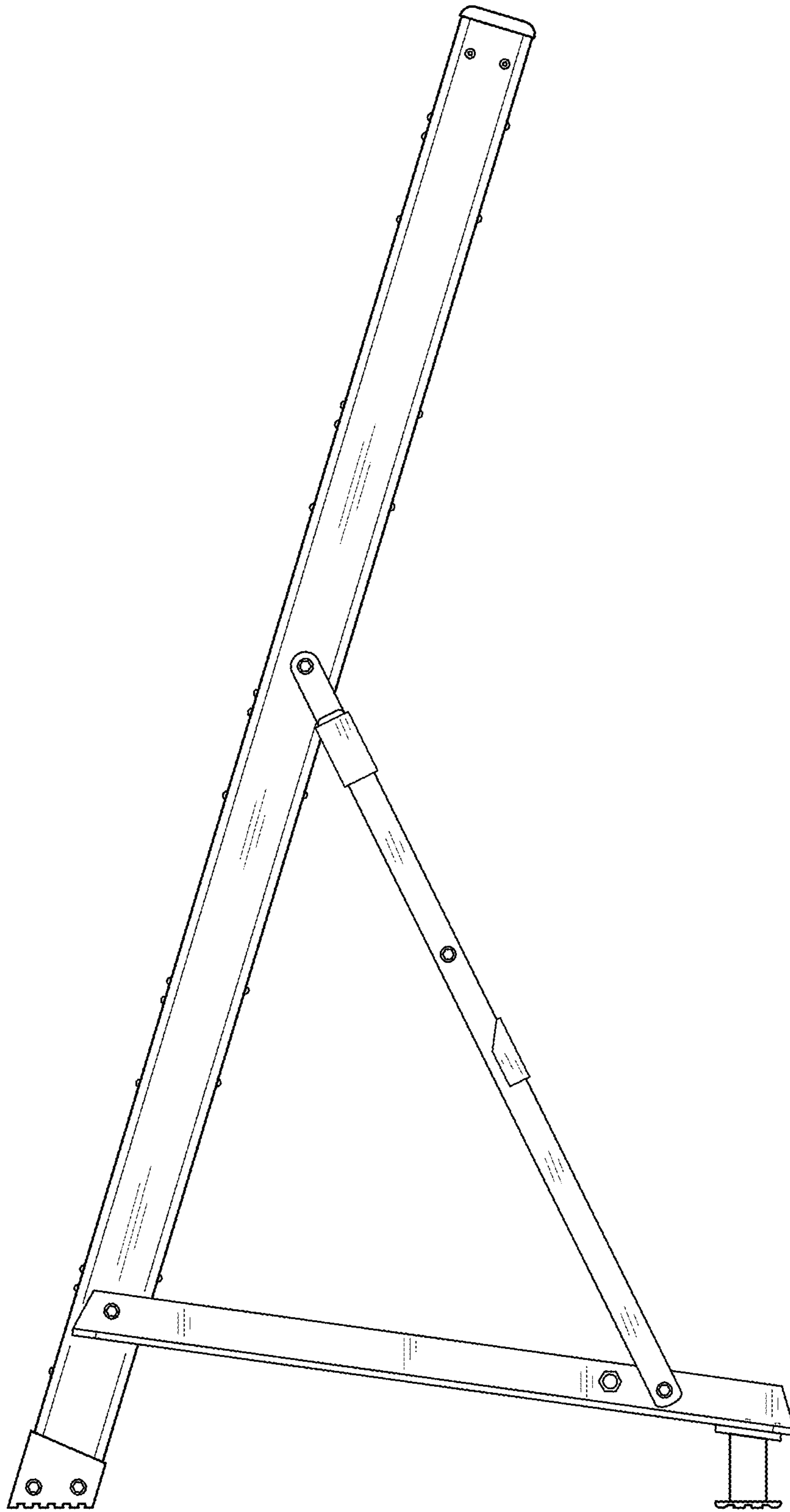


FIG. 4

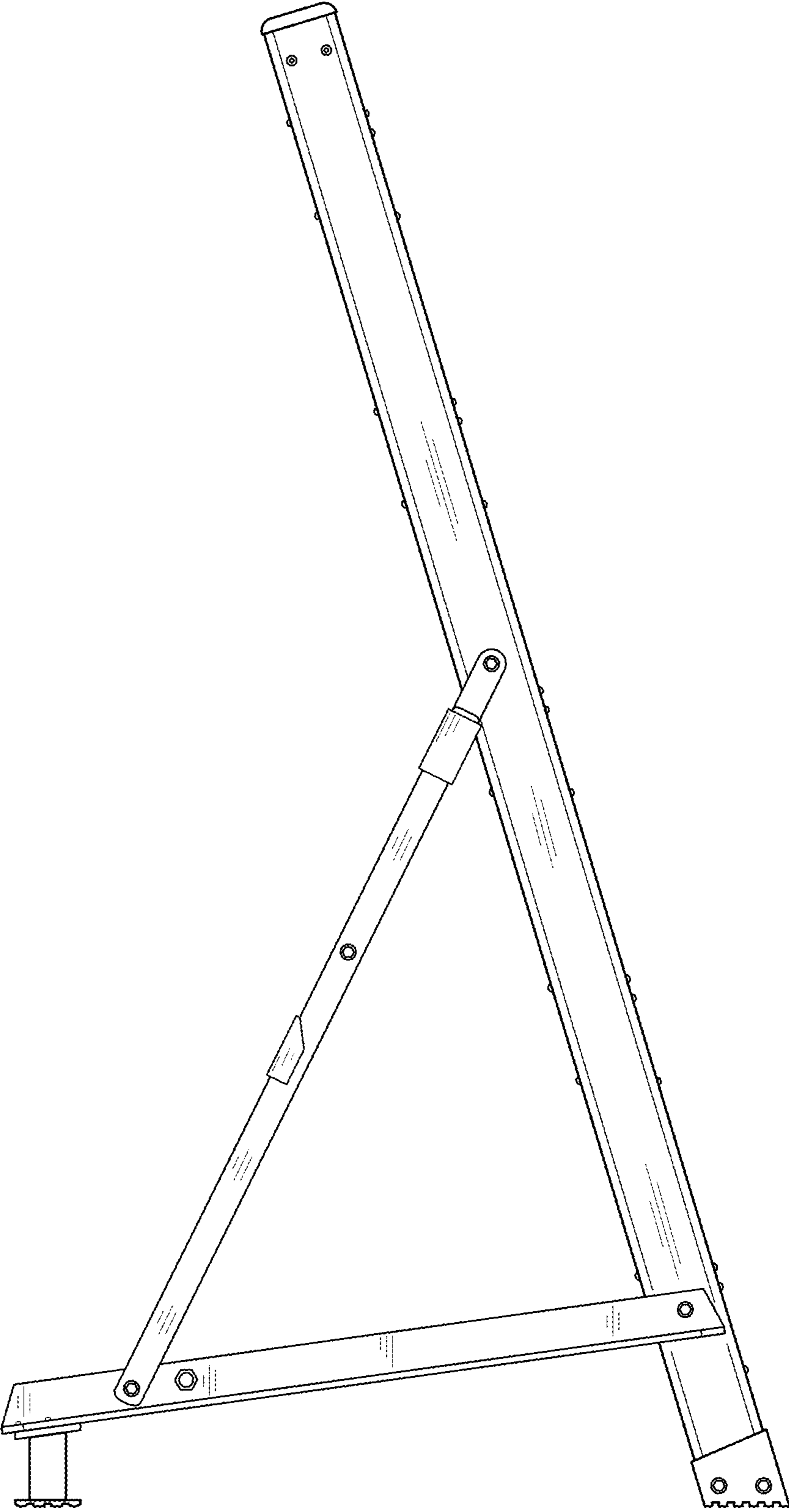


FIG. 5

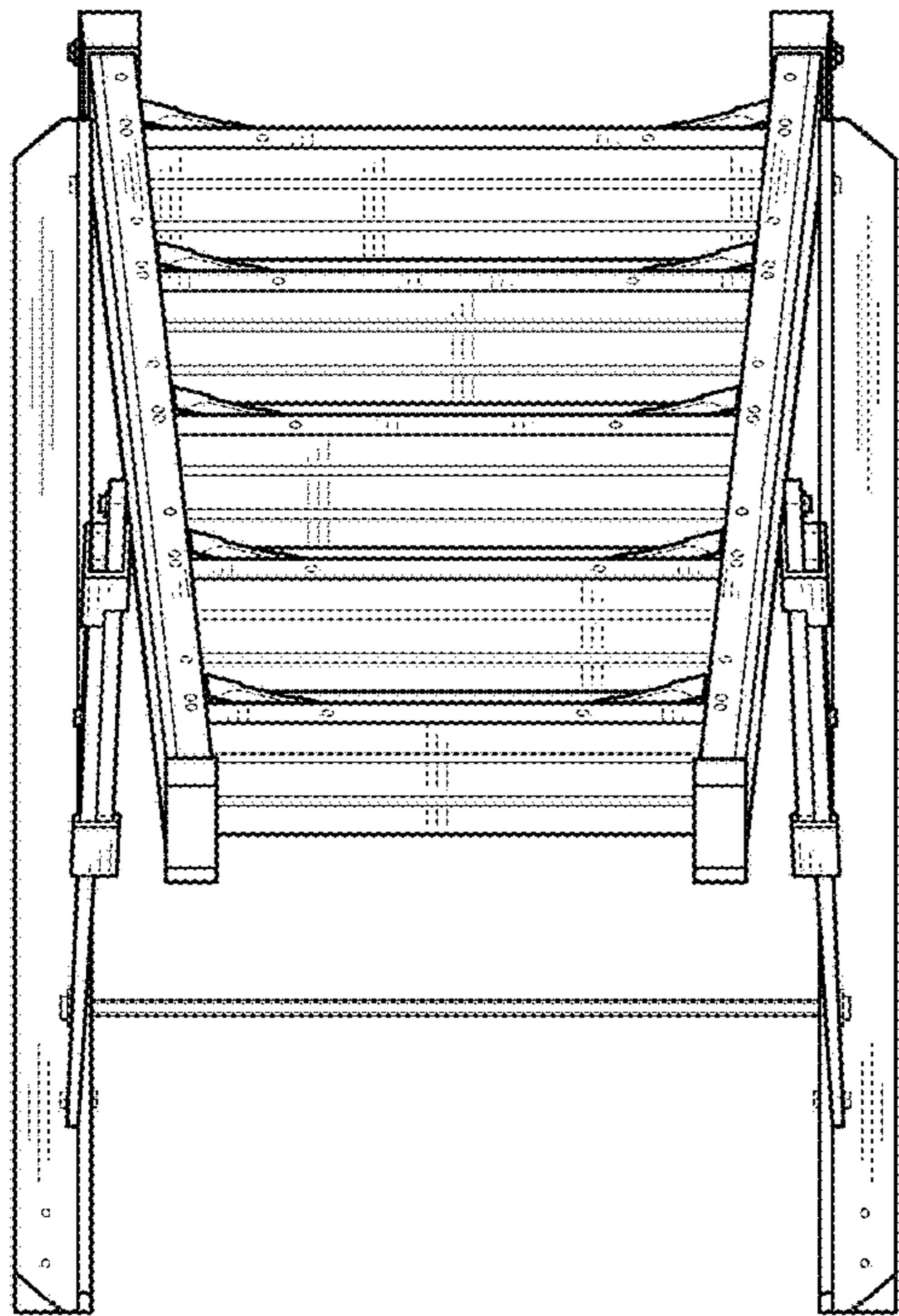


FIG. 6

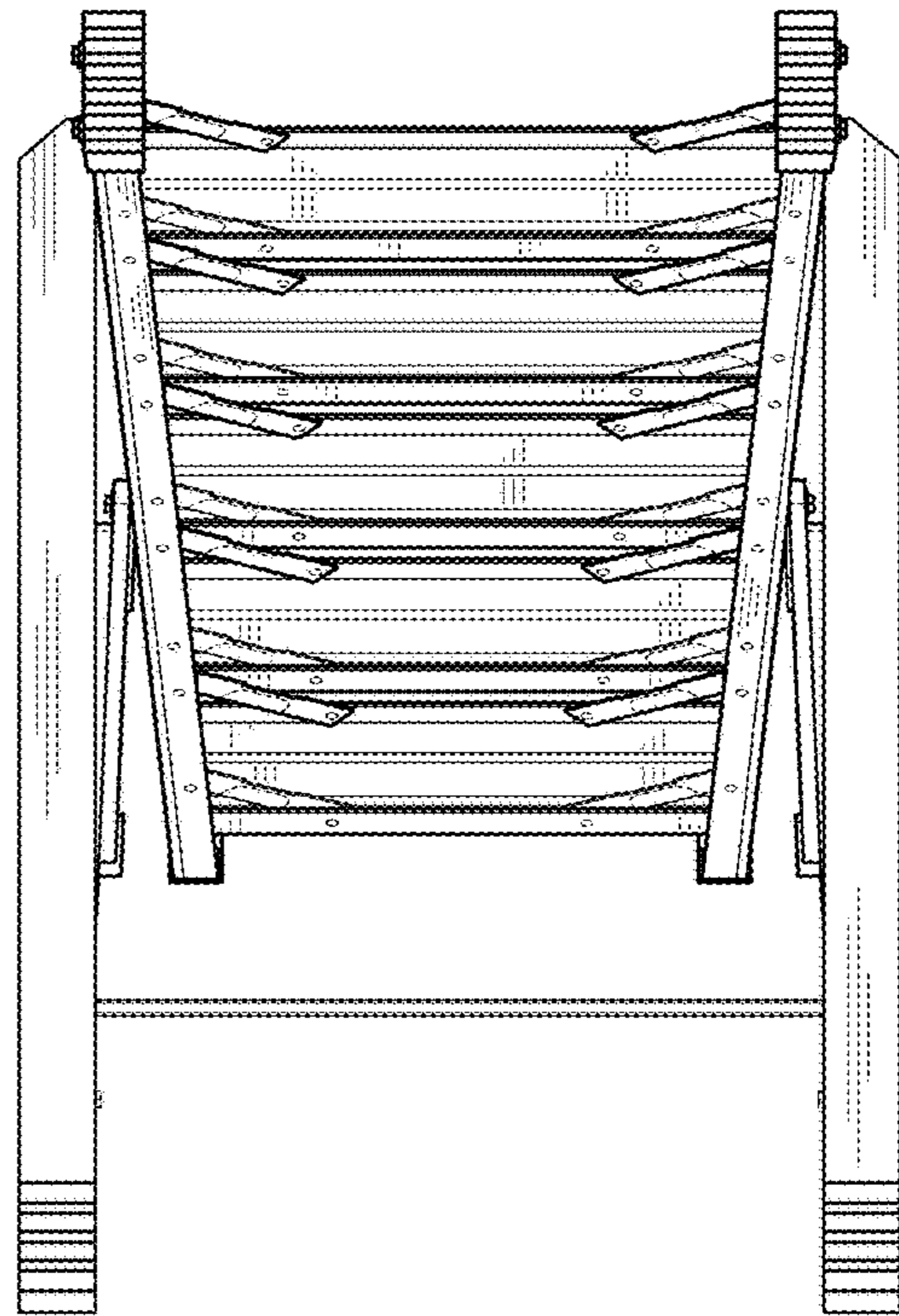


FIG. 7

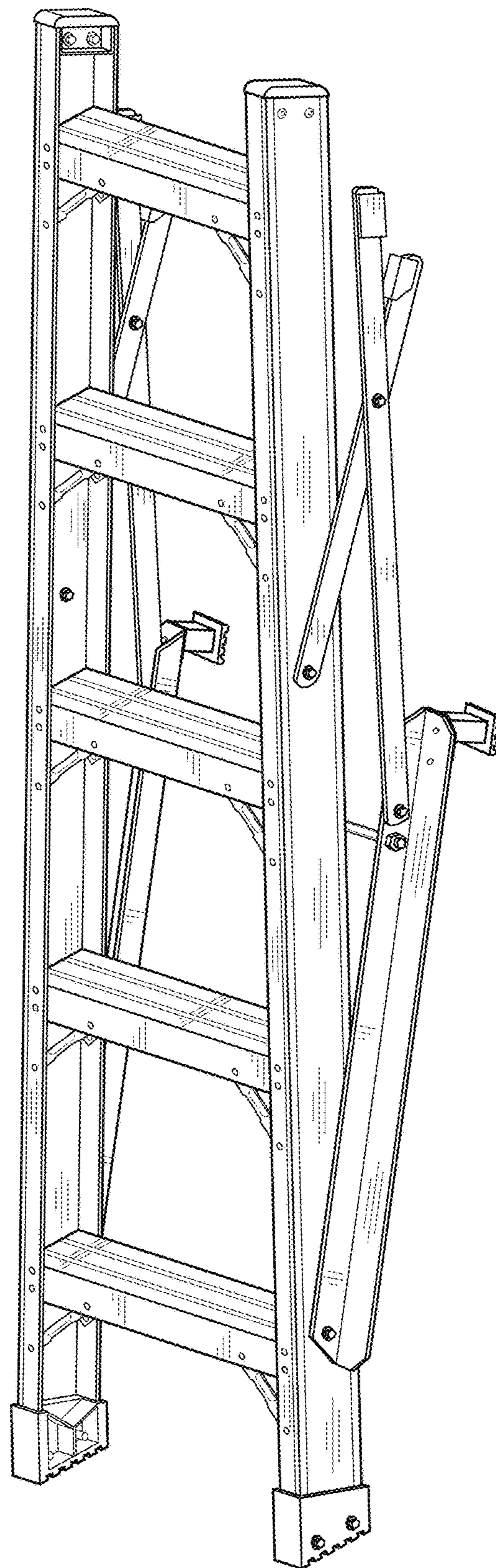


FIG. 8