



US00D796693S

(12) **United States Design Patent** (10) **Patent No.:** **US D796,693 S**
Mount (45) **Date of Patent:** **** Sep. 5, 2017**

(54) **CANOPY**
(71) Applicant: **Floyd E. Mount**, Decorah, IA (US)
(72) Inventor: **Floyd E. Mount**, Decorah, IA (US)
(**) Term: **15 Years**
(21) Appl. No.: **29/558,392**

7,052,062 B2 * 5/2006 Catt A47F 9/00
222/610
D523,969 S * 6/2006 Abruzese D25/56
D529,192 S * 9/2006 Whalen D25/56
D534,368 S * 1/2007 Karpinski D6/555
D595,865 S * 7/2009 Magnusson D25/56
8,523,196 B1 * 9/2013 Appleby B62B 1/26
135/95
D722,736 S * 2/2015 Mongiori D34/17
D786,454 S * 5/2017 Indio da Costa D25/56

(22) Filed: **Mar. 17, 2016**
(51) **LOC (10) Cl.** **25-02**
(52) **U.S. Cl.**
USPC **D25/56; D34/27**
(58) **Field of Classification Search**
USPC D6/673; D25/56, 57; D34/14, 17, 19,
D34/20, 21, 27; 135/87, 115, 124, 908;
280/79.11, 79.3, 47.26, 47.35; 296/22,
296/102
CPC .. B60J 7/02; B60P 3/0257; B62B 1/20; B62B
3/02; B62B 5/0013
See application file for complete search history.

OTHER PUBLICATIONS

<http://corsairdisplay.com/Corsair/Project-Galleries/Startups/Draft-Beer.htm> Available May 22, 2013.*
<https://www.supramatic.com/Carts/Carts.html> Available May 10, 2015.*

* cited by examiner

Primary Examiner — Susan Bennett Hattan
Assistant Examiner — Leanne Was-Englehart

(56) **References Cited**

U.S. PATENT DOCUMENTS

2,771,318 A * 11/1956 Jagsch B60P 3/0257
296/22
3,103,709 A * 9/1963 Bolt E04B 1/343
52/125.2
4,817,654 A * 4/1989 Christensen E04H 6/04
135/90
D398,432 S * 9/1998 Yerkes D34/14
D406,903 S * 3/1999 Horton D25/16
D413,394 S * 8/1999 Chipman D25/56
D421,132 S * 2/2000 Chipman D25/56
D443,398 S * 6/2001 Mount D34/14
D443,745 S * 6/2001 Mount D34/14
6,394,118 B1 * 5/2002 Cikanowick E04H 15/06
135/115
6,564,817 B1 * 5/2003 Tseng E04H 15/64
135/119

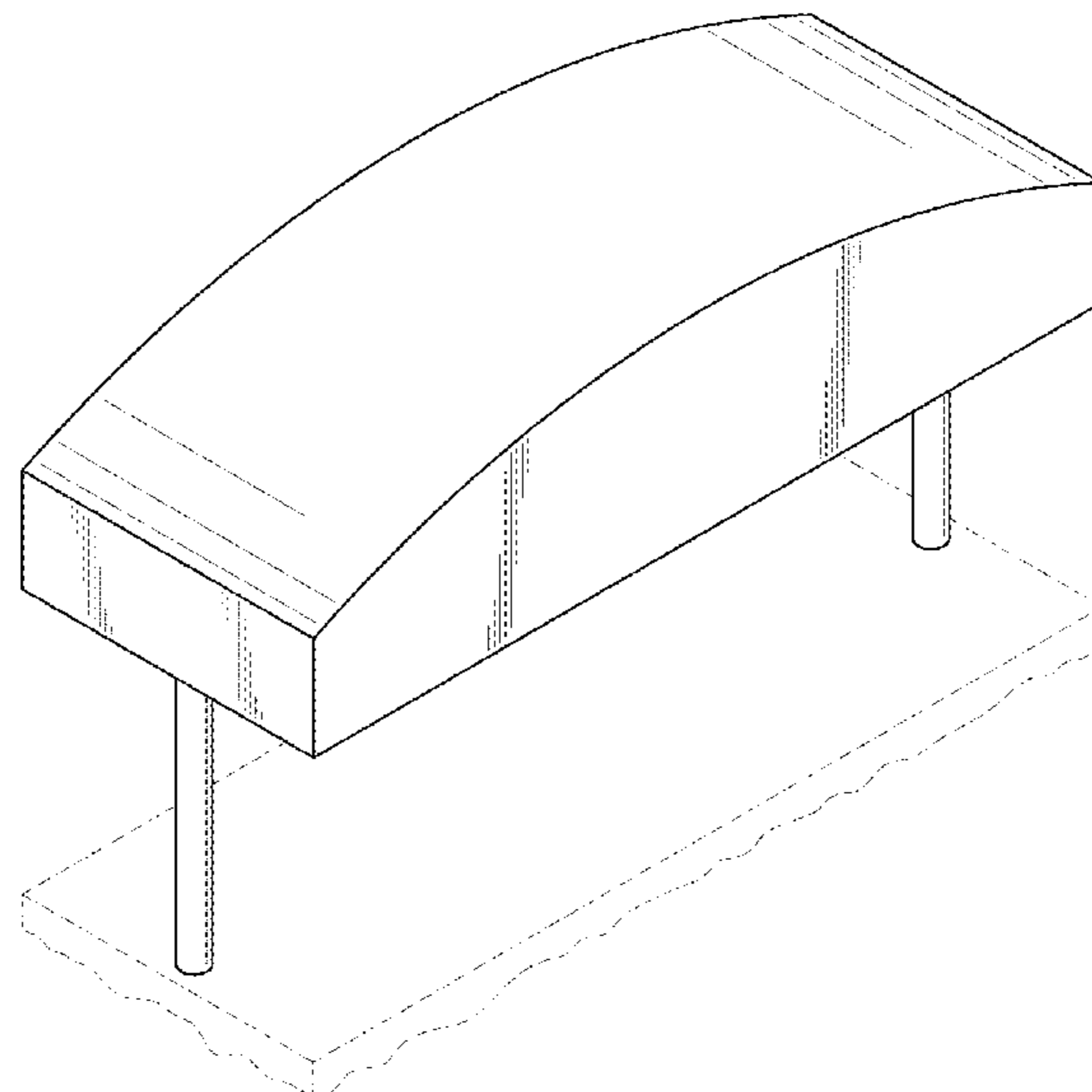
(57) **CLAIM**

The ornamental design for a canopy, as shown and described.

DESCRIPTION

FIG. 1 is a perspective view of a canopy showing my new design;
FIG. 2 is a front elevational view of the canopy;
FIG. 3 is a rear elevational view of the canopy;
FIG. 4 is a left side view of the canopy;
FIG. 5 is a right side view of the canopy; and,
FIG. 6 is a top plan view of the canopy.
The broken lines in FIGS. 1-5 are included for the purpose of showing the environment of the canopy, and form no part of the claimed design.

1 Claim, 5 Drawing Sheets



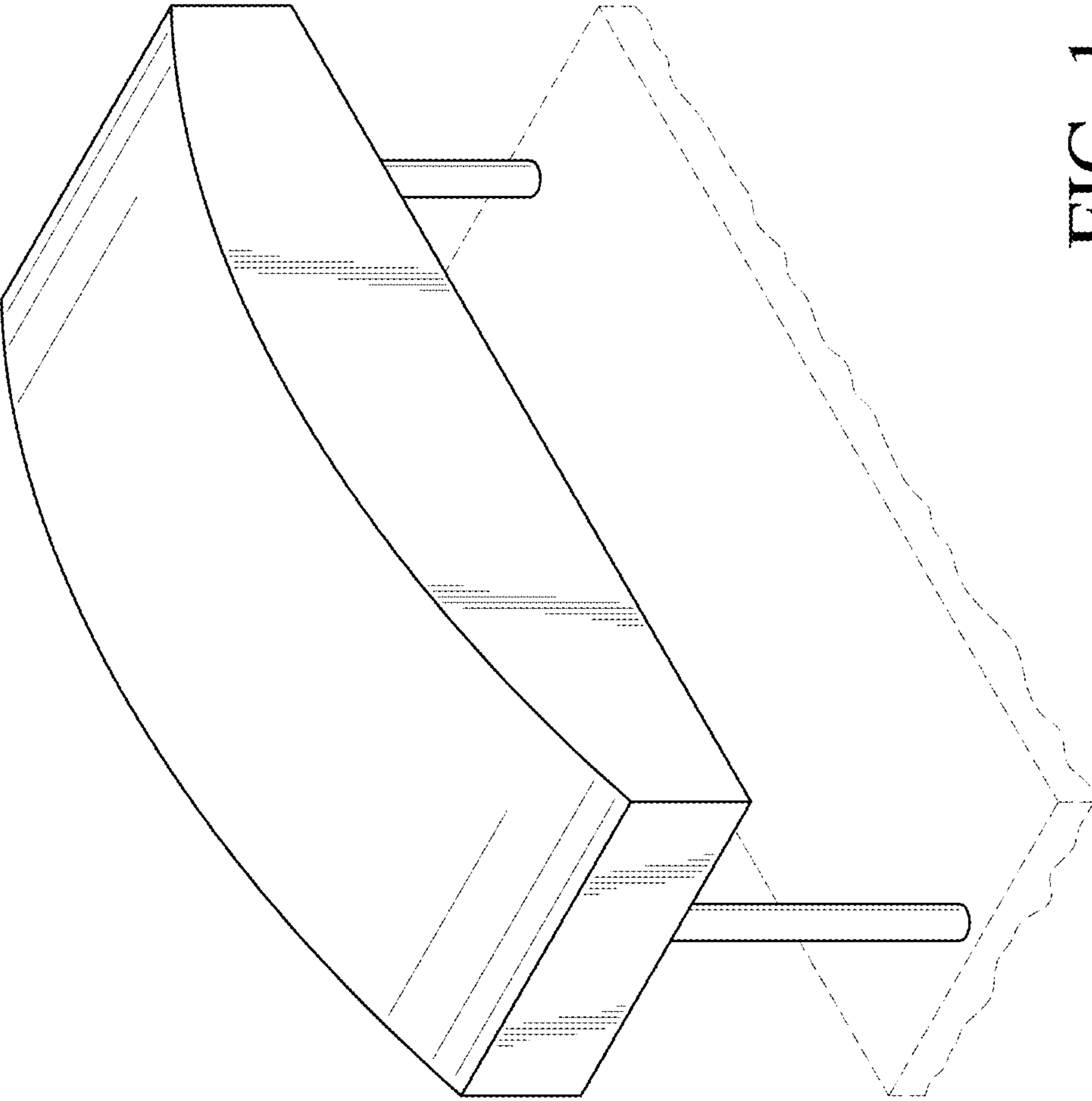


FIG. 1

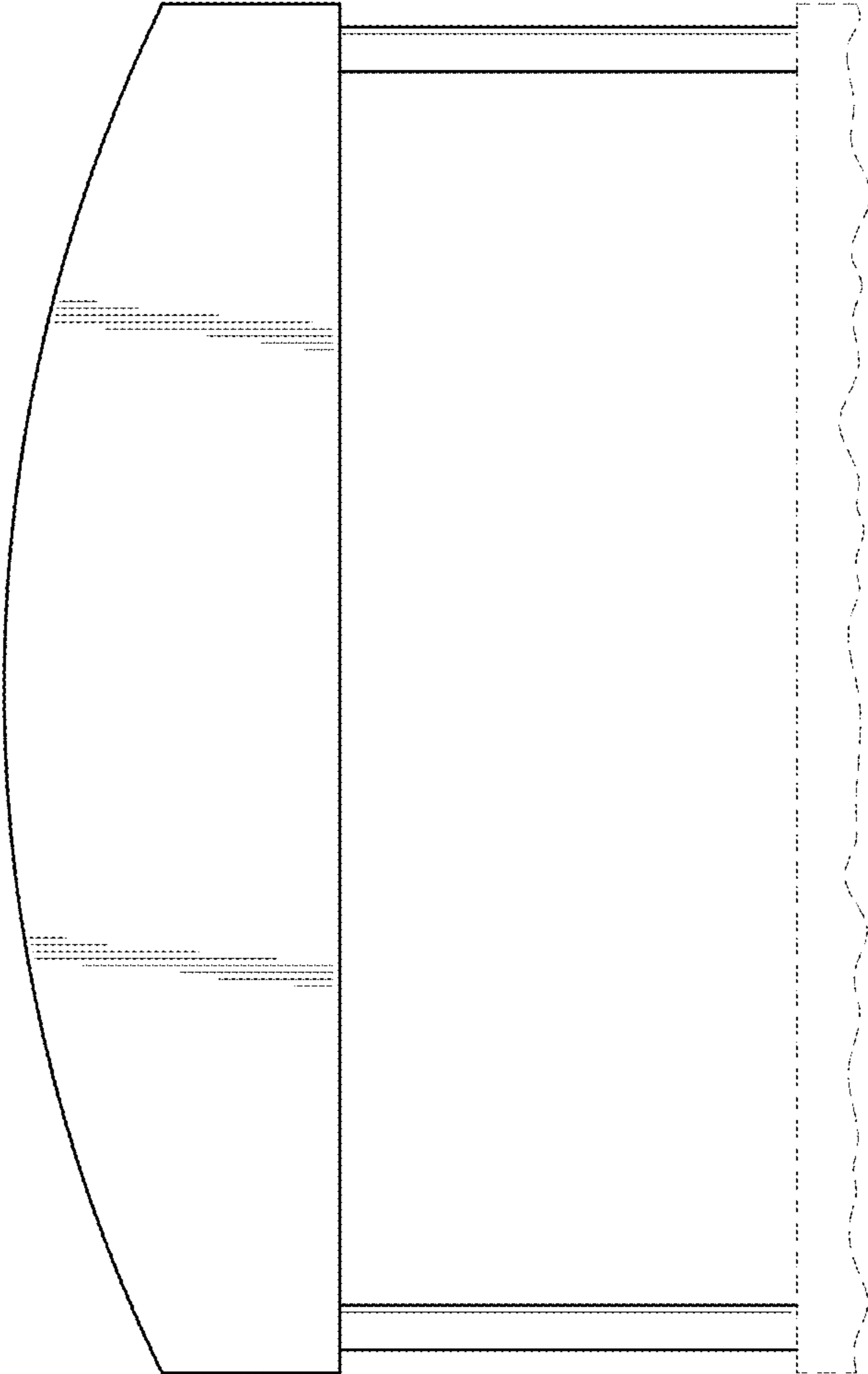


FIG. 2

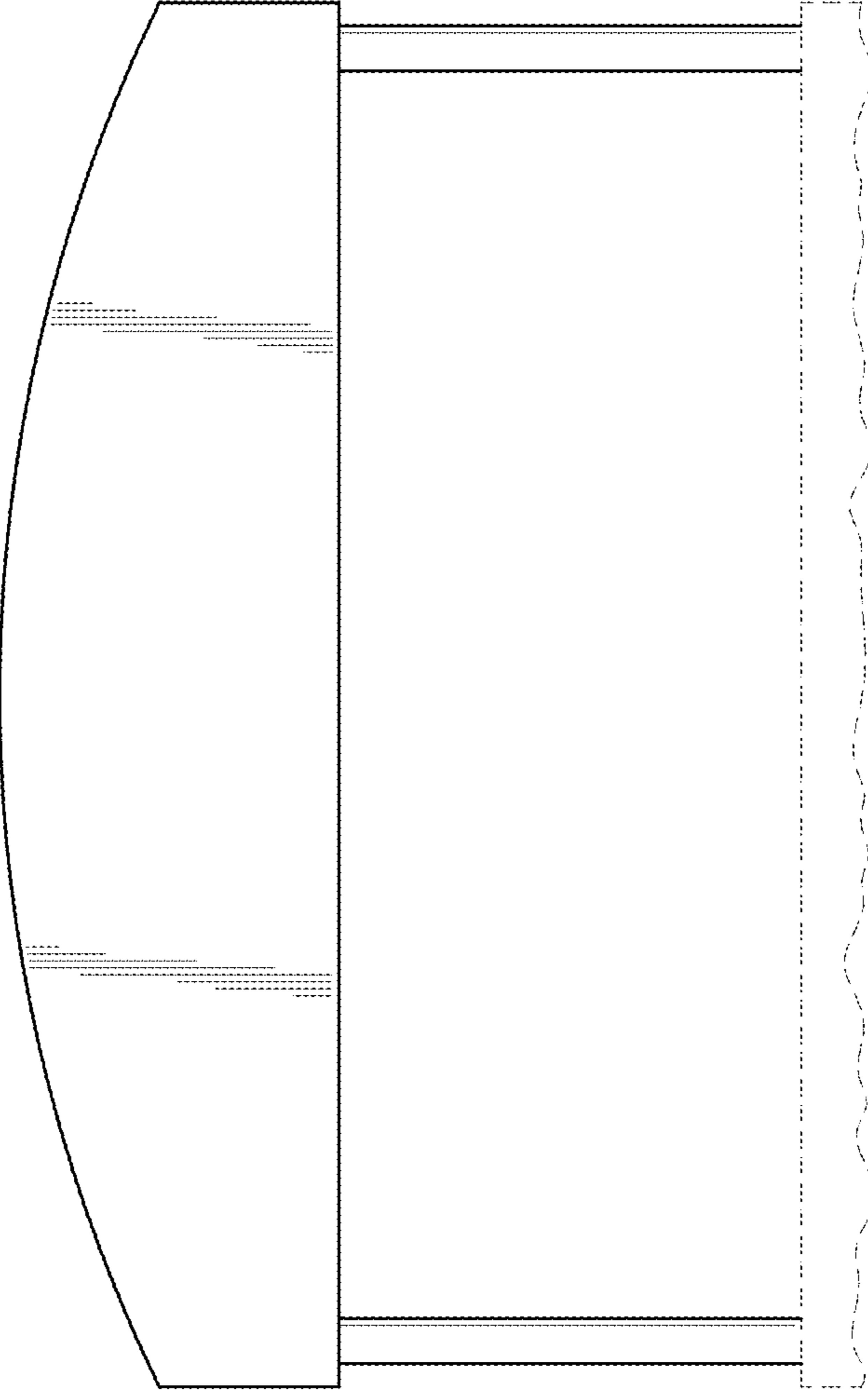


FIG. 3

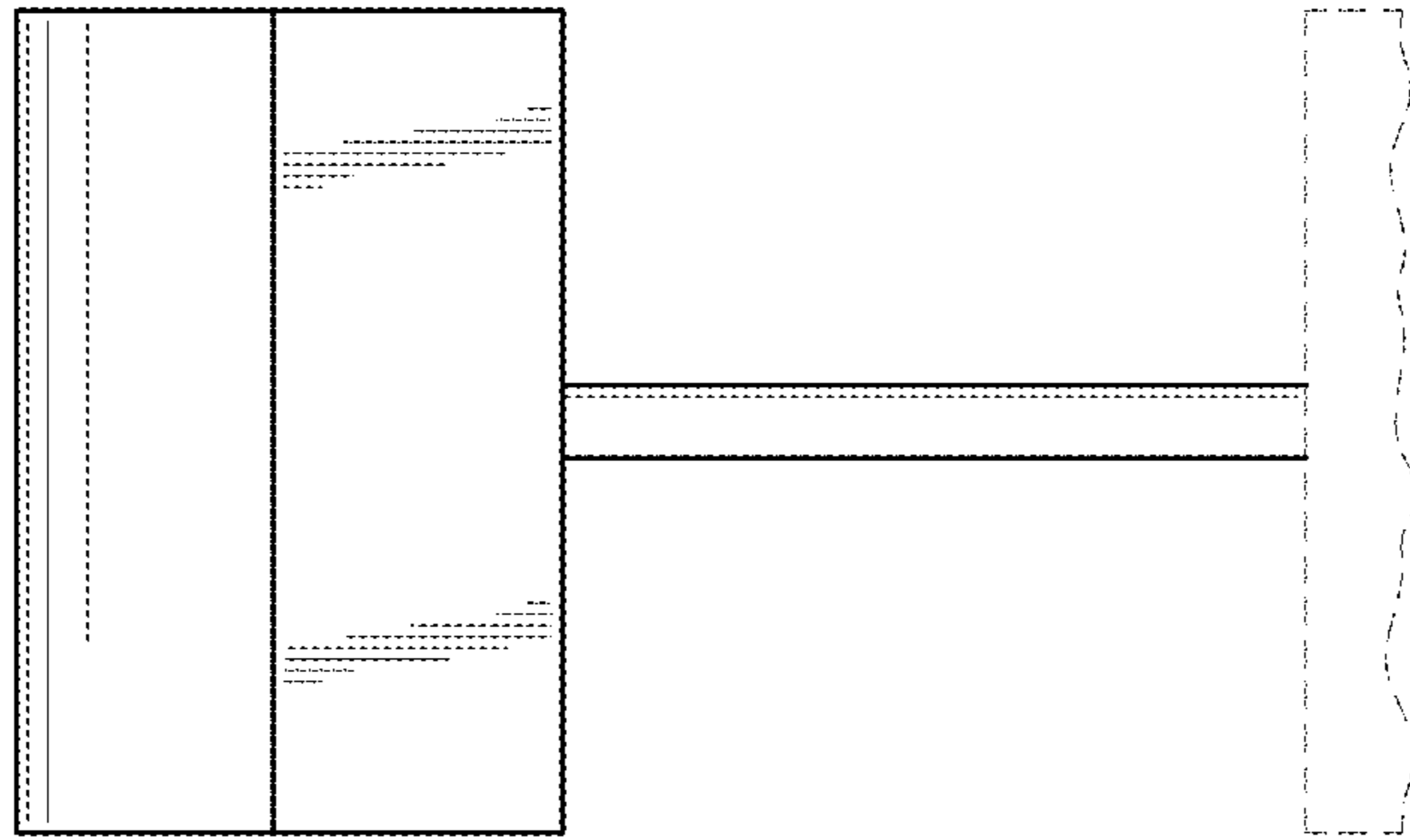


FIG. 5

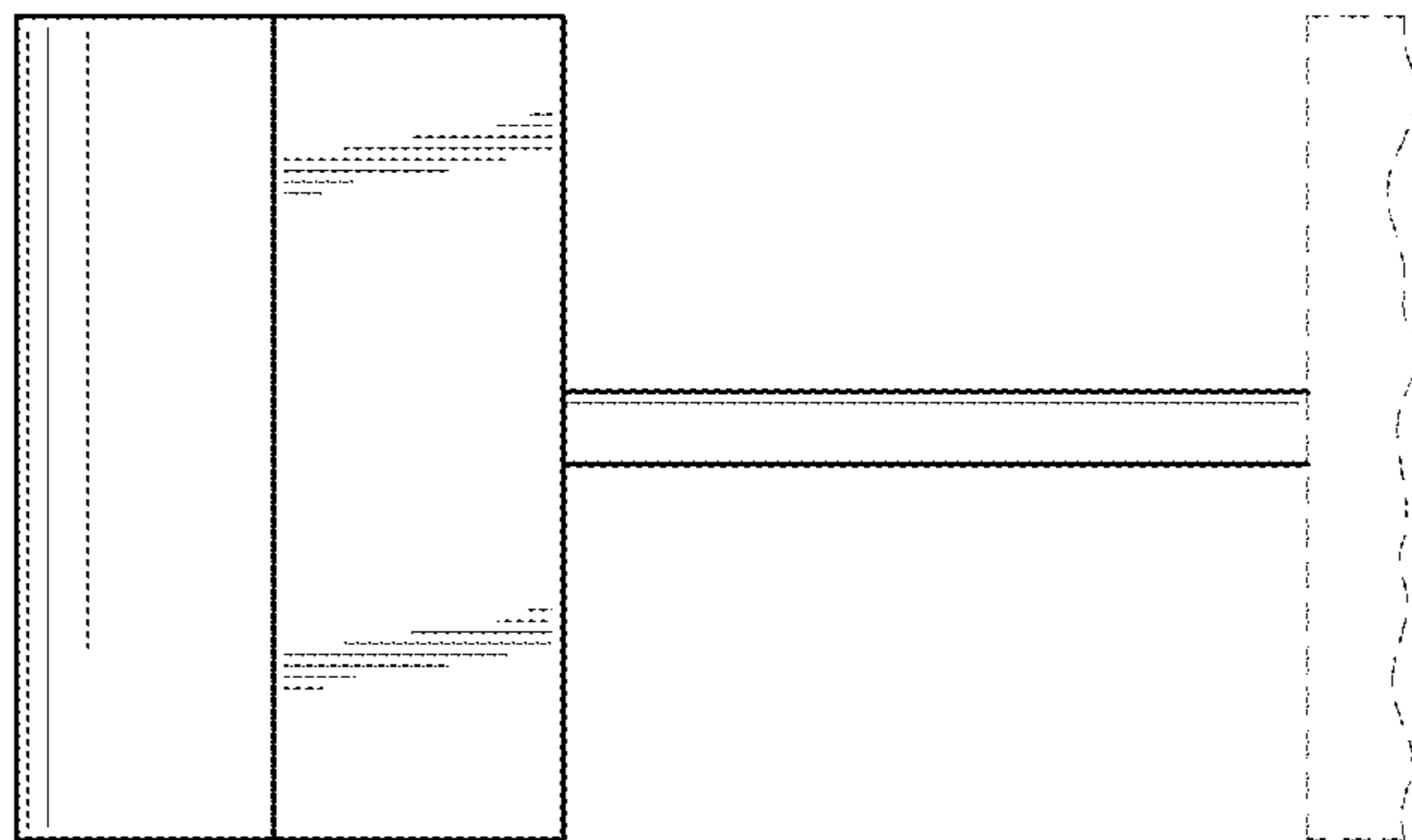


FIG. 4

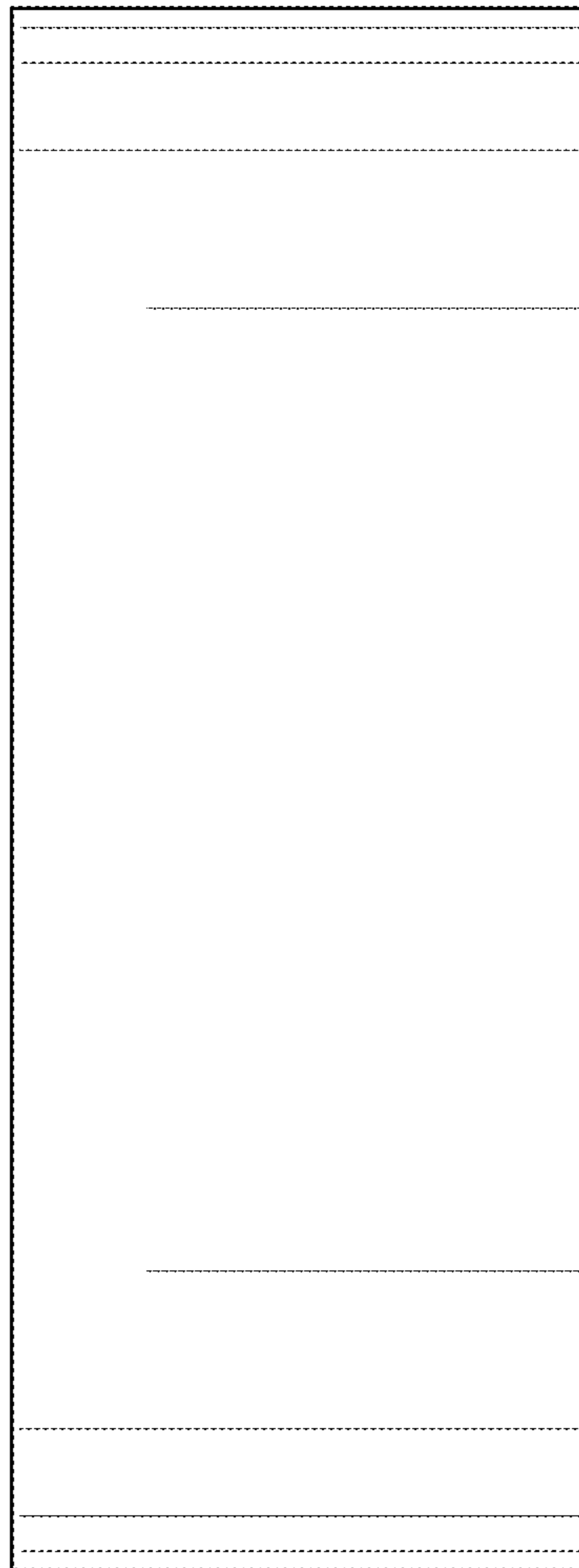


FIG. 6