



US00D796692S

(12) **United States Design Patent**
Marsden

(10) **Patent No.:** **US D796,692 S**

(45) **Date of Patent:** **** Sep. 5, 2017**

(54) **GATE**

(71) Applicant: **Elbee Pty Ltd.**, Bondi Junction (AU)

(72) Inventor: **Andrew Marsden**, Hingham, MA (US)

(73) Assignee: **Elbee Pty Ltd.**, Bondi Junction (AU)

(**) Term: **15 Years**

(21) Appl. No.: **29/538,230**

(22) Filed: **Sep. 2, 2015**

(51) **LOC (10) Cl.** **25-02**

(52) **U.S. Cl.**

USPC **D25/48.5**

(58) **Field of Classification Search**

USPC D25/38.1, 39, 48.1, 48.5; 49/55, 56, 177,
49/272, 386, 394, 465; 256/25, 26;
292/71

CPC ... E05C 1/145; E06B 7/32; E06B 9/00; E06B
9/04; E06B 9/06

See application file for complete search history.

(56) **References Cited**

U.S. PATENT DOCUMENTS

D341,207	S *	11/1993	Freese	D25/38.1
D355,261	S *	2/1995	Abrams	D25/38.1
5,396,732	A *	3/1995	Andersen	E06B 9/02 49/255
D397,448	S *	8/1998	Brevi	D25/48.5
6,176,042	B1 *	1/2001	Rossman	A01K 1/0017 160/210
6,301,832	B1 *	10/2001	Andersen	A01K 1/0017 49/57
6,536,163	B1 *	3/2003	Monahan	E05B 65/0014 292/336.3
6,711,854	B1 *	3/2004	Andersen	E06B 9/02 49/50
7,334,624	B2 *	2/2008	Waldman	E05B 17/2053 160/144
D583,070	S *	12/2008	Lai	D25/48.5

D626,660	S *	11/2010	Bertsch	D25/48.5
D626,661	S *	11/2010	Bertsch	D25/48.5
D665,511	S *	8/2012	Bertsch	D25/48.5

(Continued)

FOREIGN PATENT DOCUMENTS

EM 000785050 * 9/2007

OTHER PUBLICATIONS

<http://www.toysrus.com/buy/doorway-gates/boston-auto-close-gate-with-ezy-check-indicator-I2028-67275596> Earliest Review Aug. 7, 2015.*

Primary Examiner — Susan Bennett Hattan
Assistant Examiner — Leanne Was-Englehart
(74) *Attorney, Agent, or Firm* — Wolf, Greenfield & Sacks, P.C.

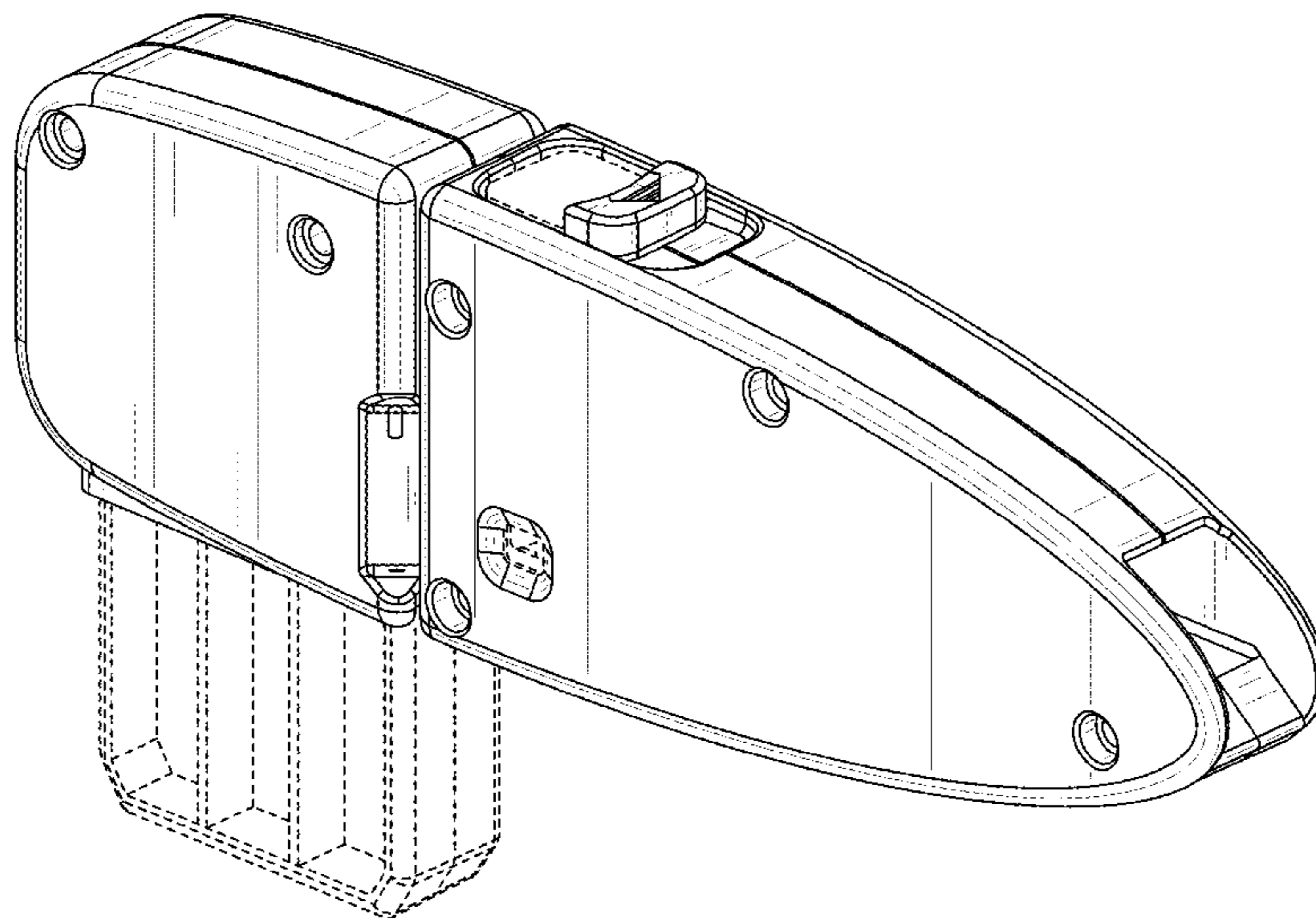
(57) **CLAIM**

The ornamental design for a gate, as shown and described.

DESCRIPTION

FIG. 1 illustrates a front view of a gate showing my new design;
FIG. 2 illustrates a rear view thereof;
FIG. 3 illustrates a right side view thereof;
FIG. 4 illustrates a left side view thereof;
FIG. 5 illustrates a top view thereof;
FIG. 6 illustrates a bottom side view thereof;
FIG. 7 illustrates an enlarged, fragmentary, top, rear, left side view of the gate;
FIG. 8 illustrates an enlarged rear side thereof;
FIG. 9 illustrates an enlarged front view thereof;
FIG. 10 illustrates an enlarged front view thereof;
FIG. 11 illustrates a top, front, right side view thereof;
FIG. 12 illustrates a top, front, left side view thereof; and,
FIG. 13 illustrates a top view thereof.
The broken lines represent portions of the gate that form no part of the claimed design.

1 Claim, 13 Drawing Sheets



(56)

References Cited

U.S. PATENT DOCUMENTS

8,341,886 B2 *	1/2013	Yates	E05B 65/0007	204/468	2009/0013604 A1 *	1/2009	Yates	E05B 65/0007	49/49
D681,848 S *	5/2013	Gessford	D25/39		2009/0158666 A1 *	6/2009	Atkinson	E06B 9/04	49/55
8,615,928 B2 *	12/2013	Wang	E04H 17/00	49/226	2010/0293861 A1 *	11/2010	Ting	E05B 47/026	49/394
9,279,284 B1 *	3/2016	Axelrod	E06B 7/32		2012/0117885 A1 *	5/2012	DeGott	E05F 3/12	49/386
9,366,075 B2 *	6/2016	Marsden	E06B 9/02		2013/0086840 A1 *	4/2013	Marsden	E05B 41/00	49/13
9,388,603 B2 *	7/2016	Flannery	E05B 1/0053		2013/0125470 A1 *	5/2013	Dunn	E06B 9/04	49/381
9,464,467 B1 *	10/2016	Flannery	E05B 65/0007		2013/0212950 A1 *	8/2013	Bertsch	E06B 9/04	49/464
2002/0157316 A1 *	10/2002	Andersen	E06B 9/04	49/55	2013/0221304 A1 *	8/2013	Wang	E04H 17/00	256/73
2004/0045222 A1 *	3/2004	Hicks	E05F 1/066	49/394	2015/0089873 A1 *	4/2015	Marsden	E06B 9/02	49/56
2006/0092378 A1 *	5/2006	Marsden	E06B 9/04	352/221	2015/0101250 A1 *	4/2015	Marsden	E06B 9/0623	49/55
2006/0185253 A1 *	8/2006	Marsden	E05B 65/0014	49/465	2015/0101253 A1 *	4/2015	Marsden	E05C 19/003	49/386
2007/0079555 A1 *	4/2007	Lan	E06B 9/01	49/57	2015/0259964 A1 *	9/2015	Linehan	E05B 1/0053	49/272
2007/0294944 A1 *	12/2007	Pedersen	E06B 9/04	49/50						
2008/0028681 A1 *	2/2008	Andersen	E06B 9/04	49/13						

* cited by examiner

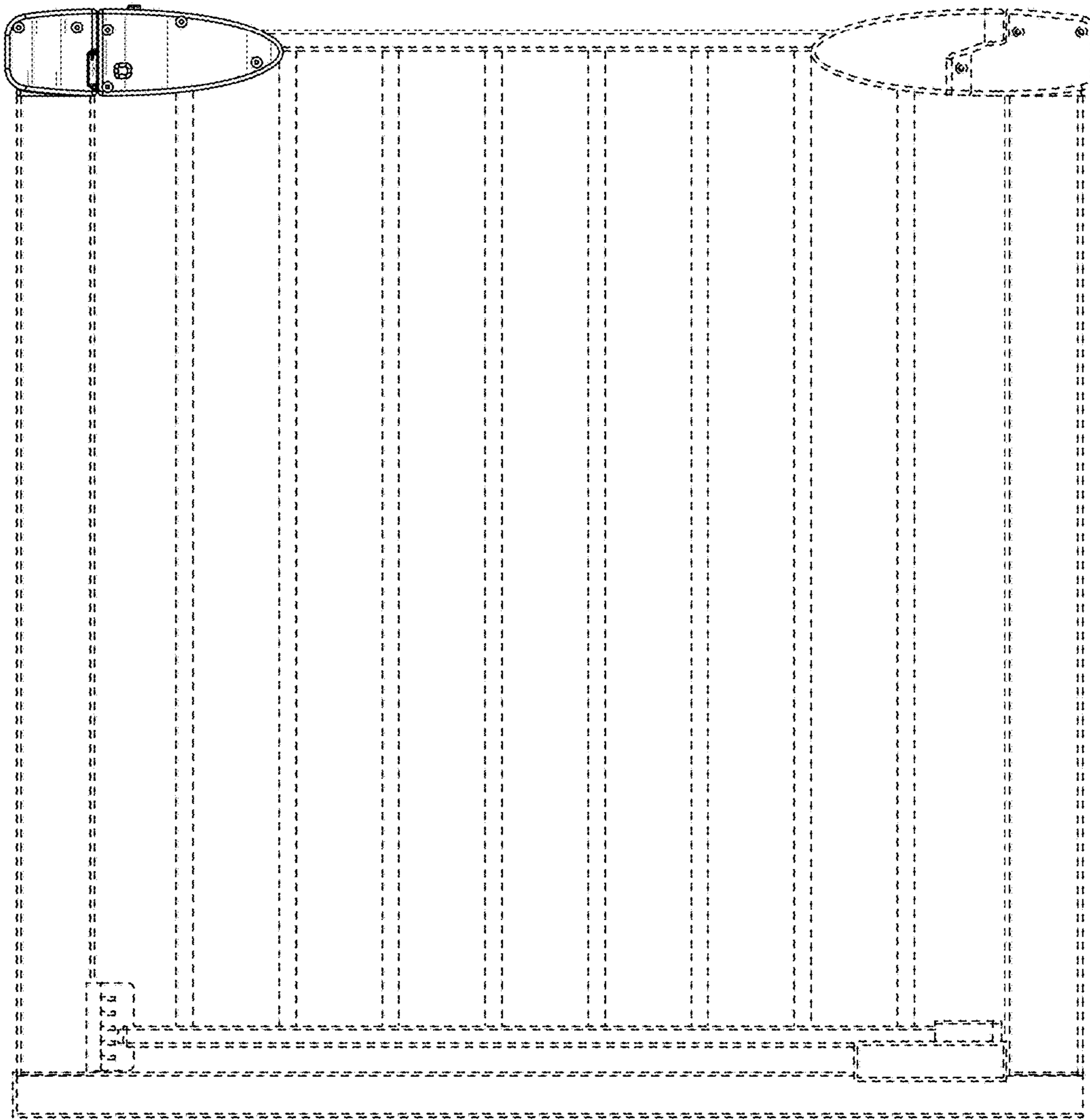


FIG. 1

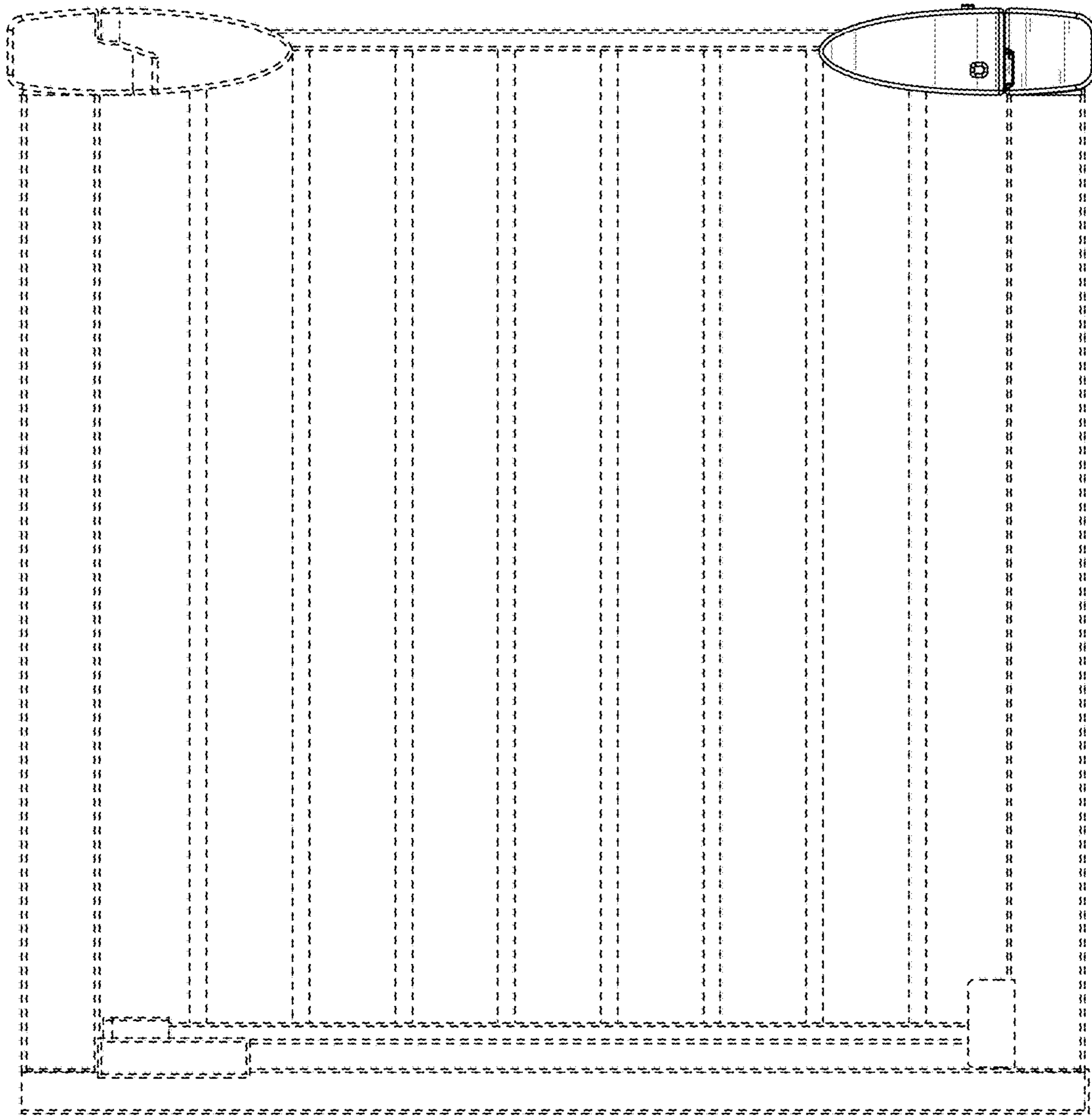


FIG. 2

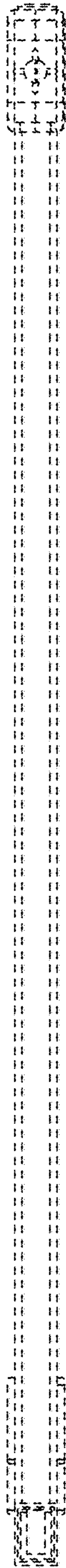


FIG. 3

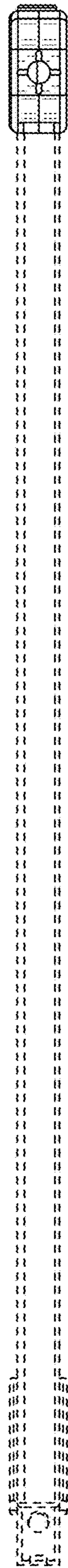


FIG. 4

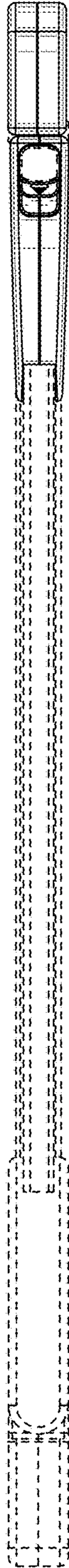


FIG. 5

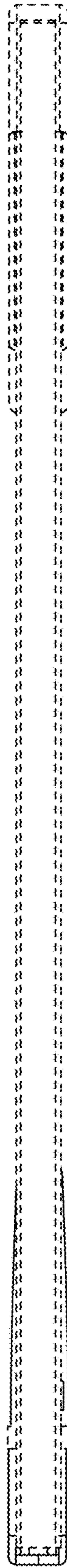


FIG. 6

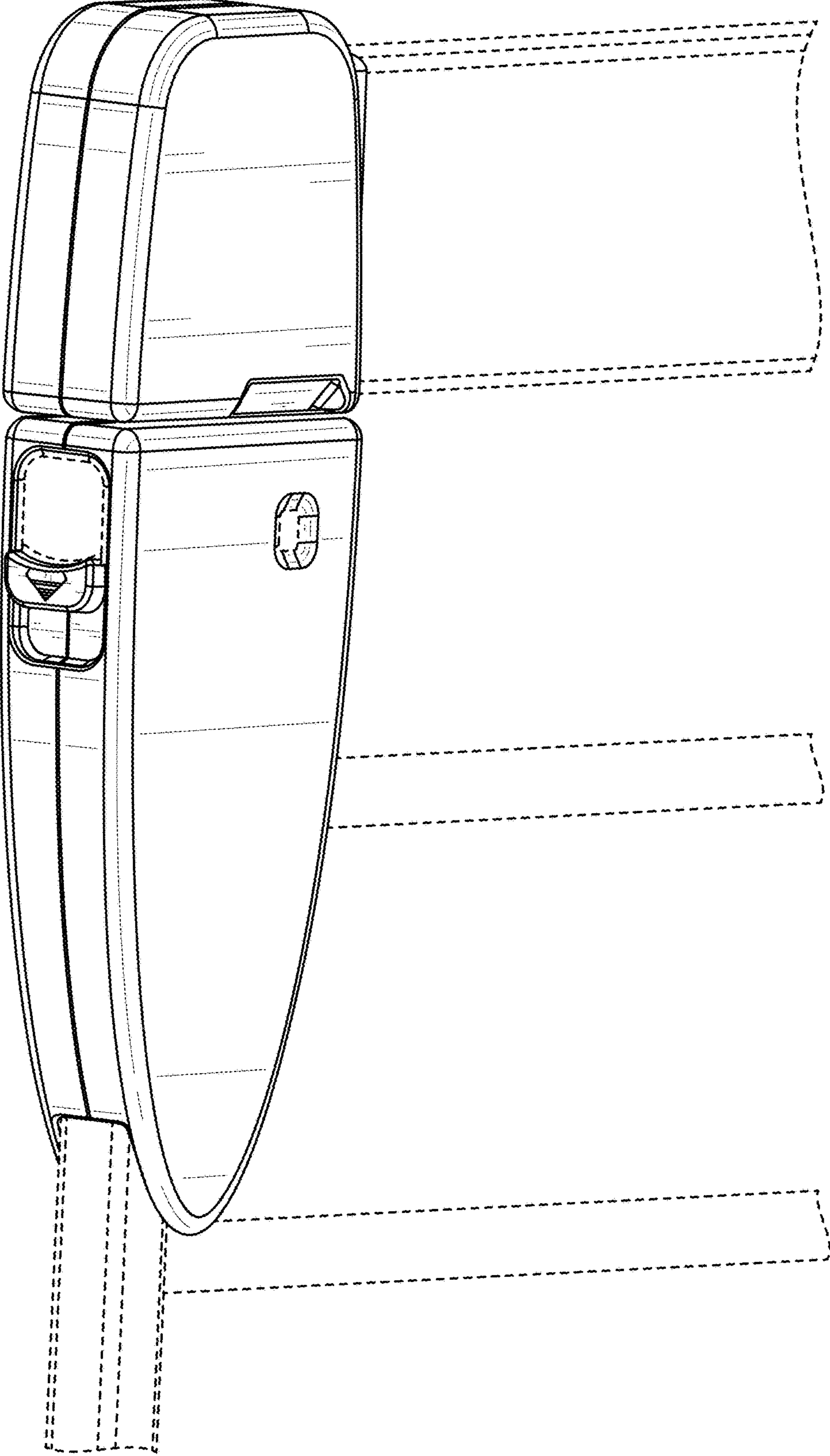


FIG. 7

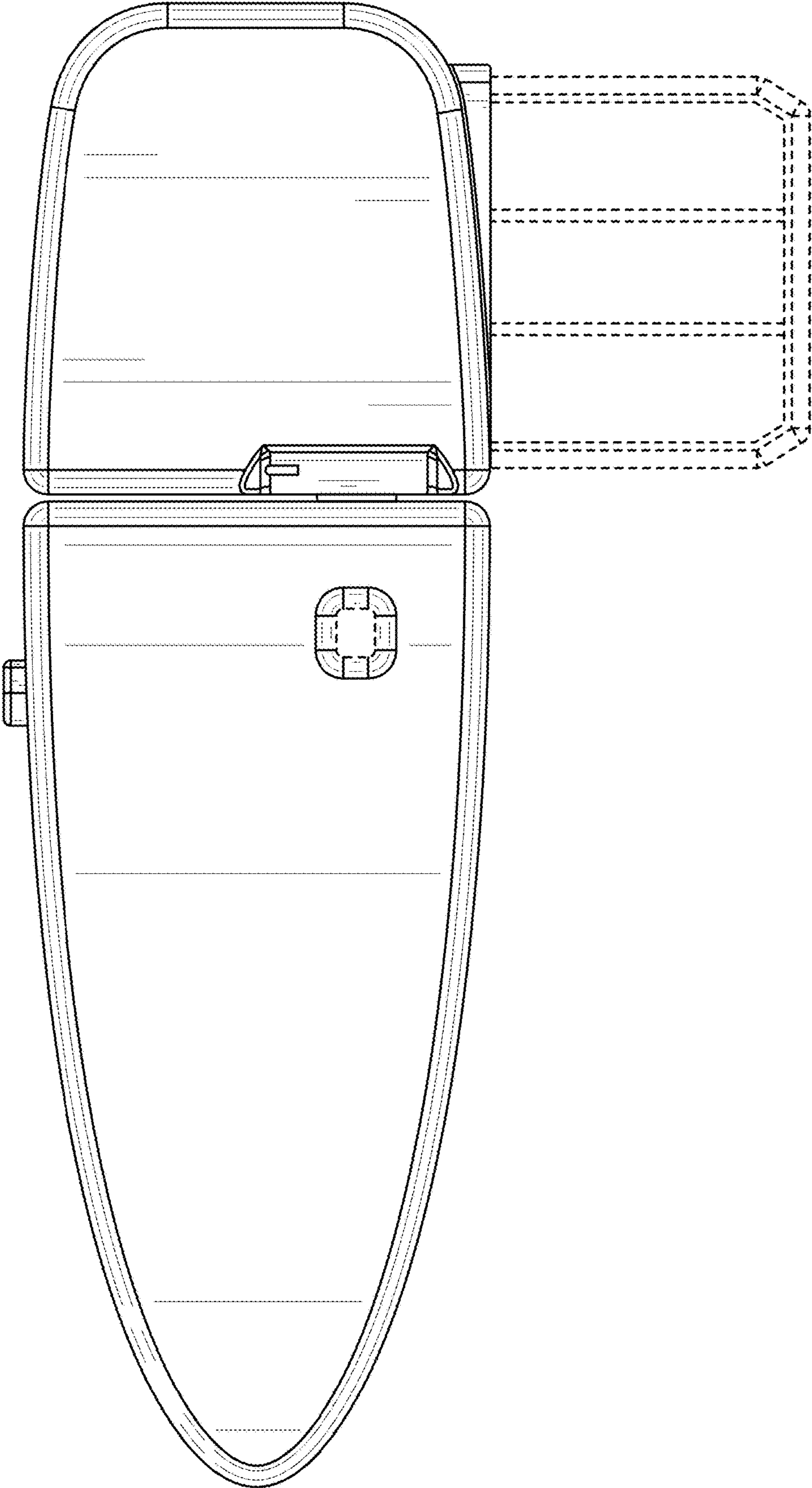


FIG. 8

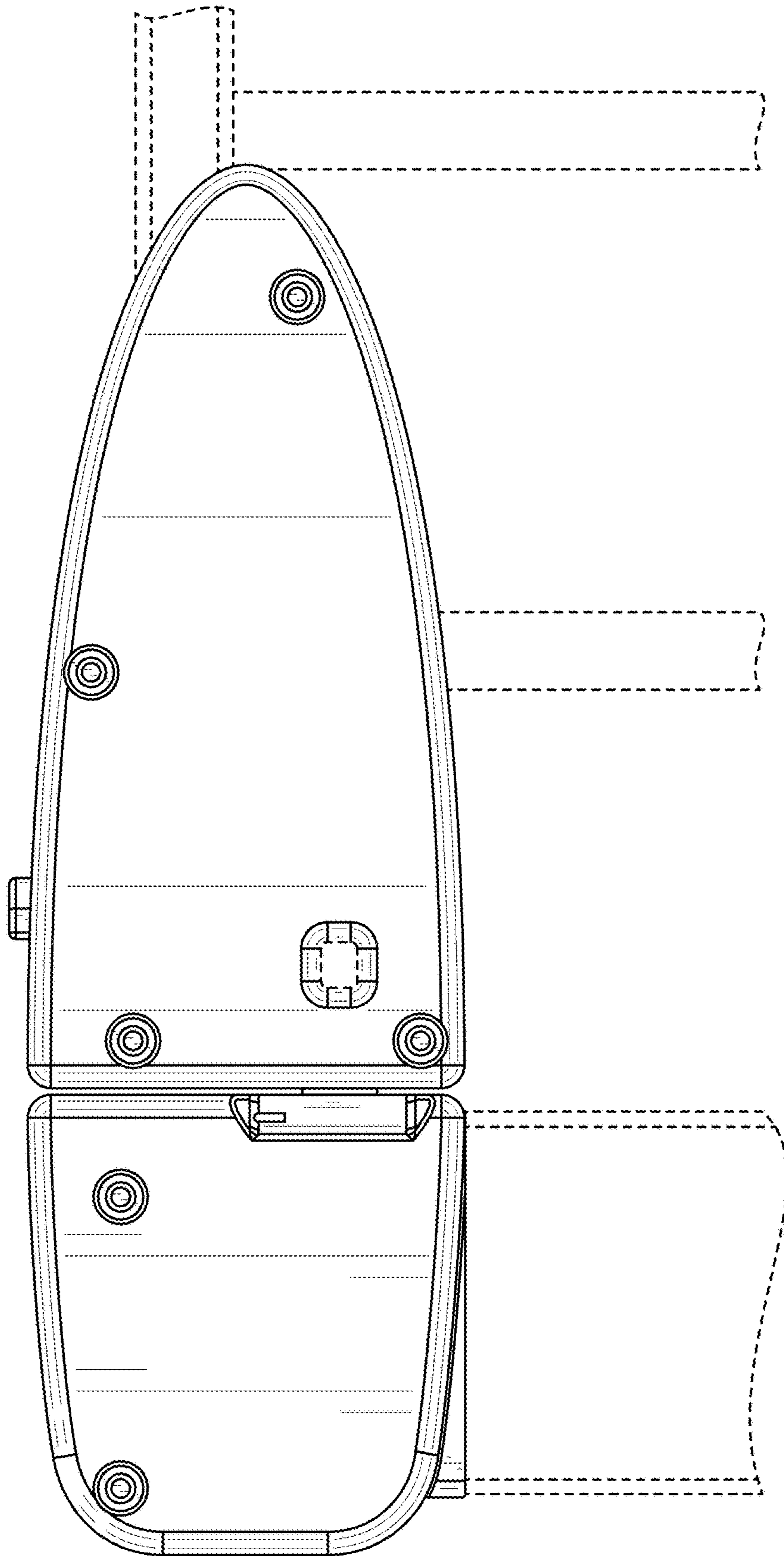


FIG. 9

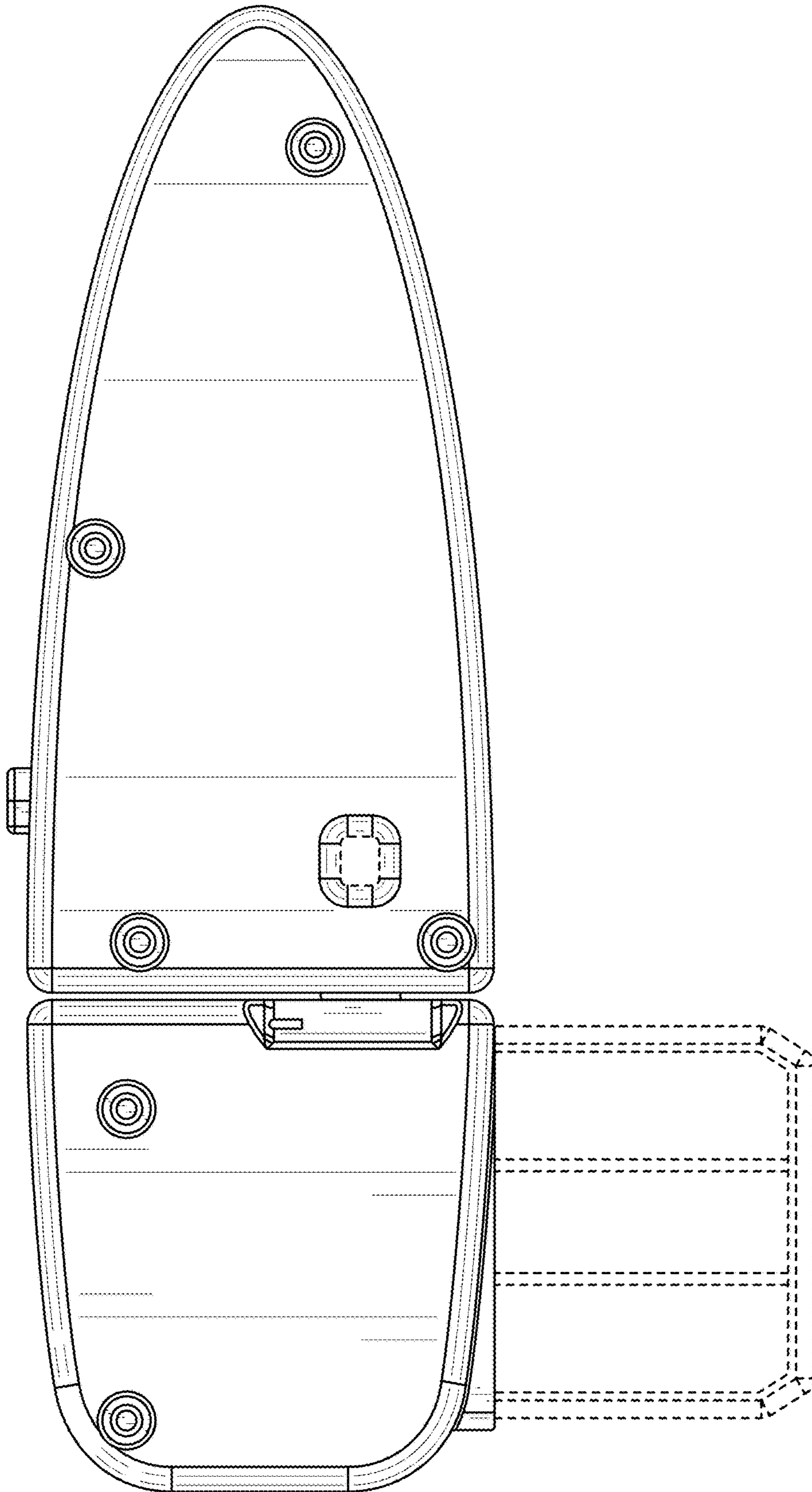


FIG. 10

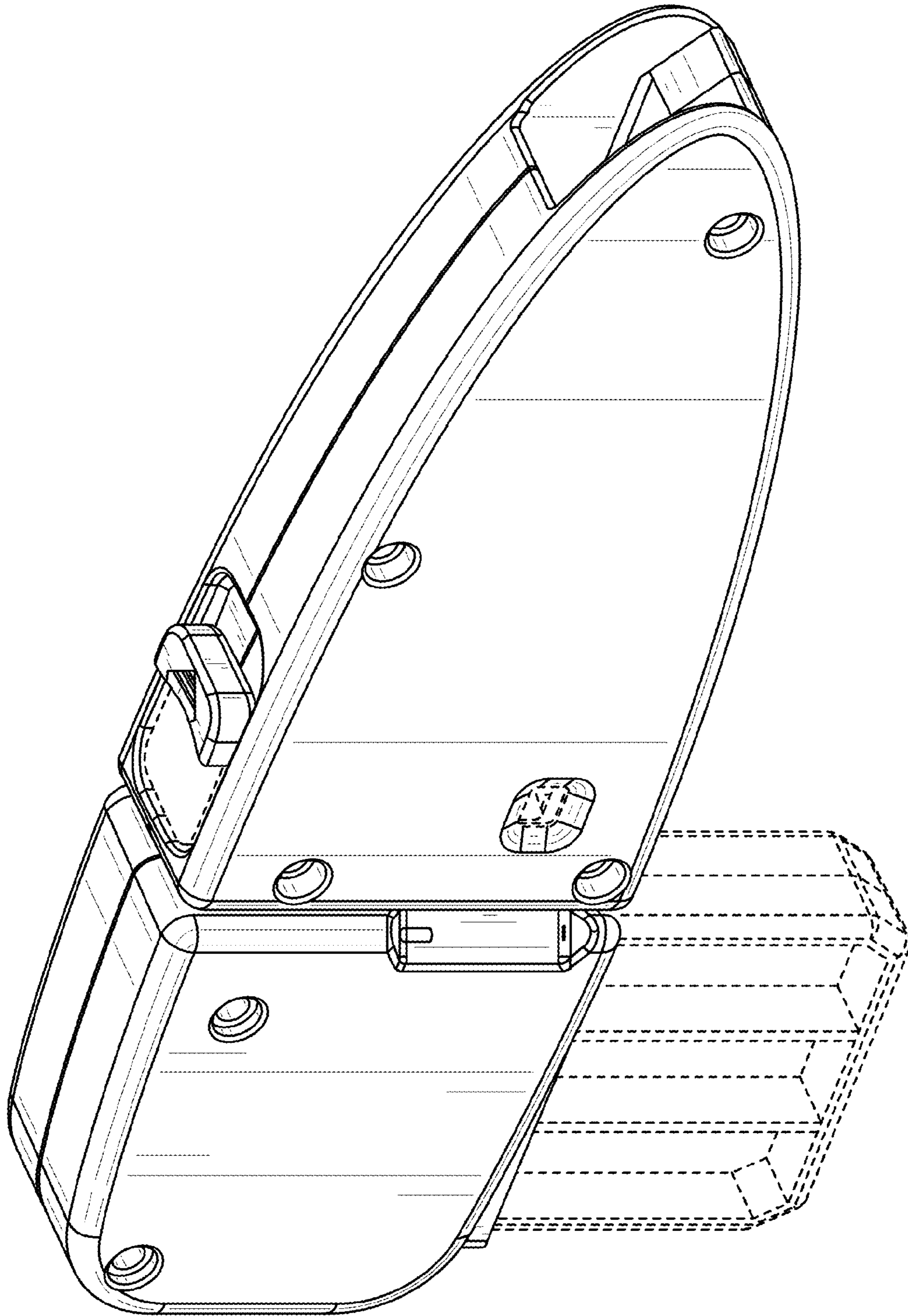


FIG. 11

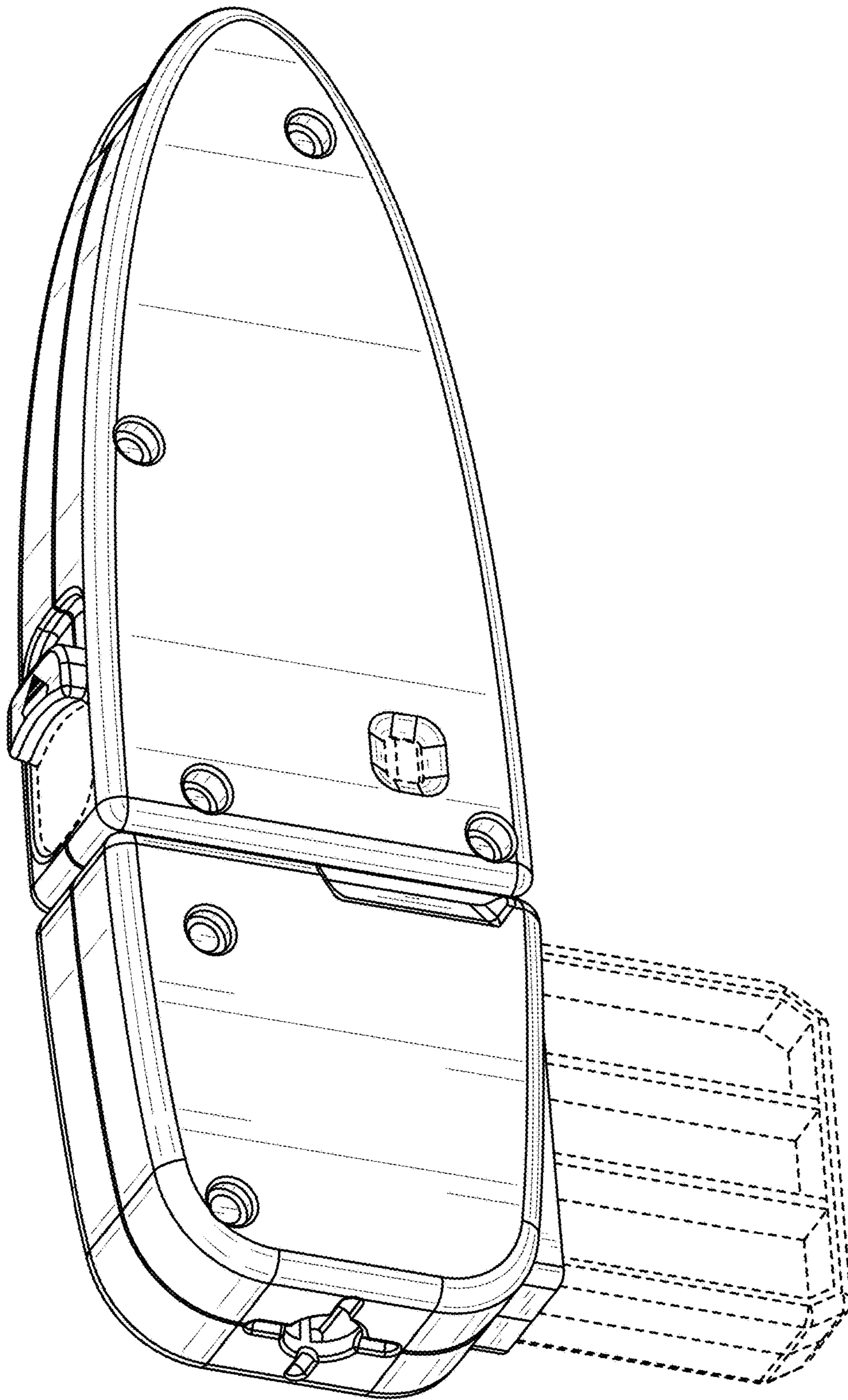


FIG. 12

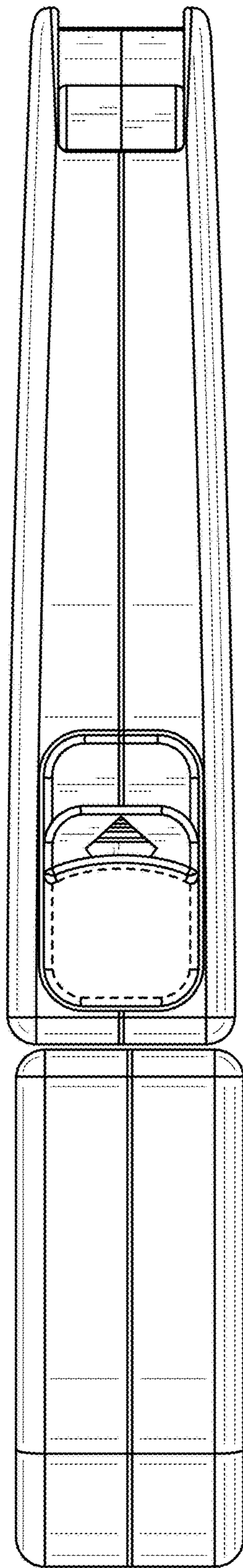


FIG. 13