



US00D796691S

(12) **United States Design Patent** (10) **Patent No.:** **US D796,691 S**
Marsden (45) **Date of Patent:** **** Sep. 5, 2017**

(54) **GATE**

(71) Applicant: **Andrew Marsden**, Hingham, MA (US)

(72) Inventor: **Andrew Marsden**, Hingham, MA (US)

(73) Assignee: **Elbee Pty Ltd.**, Bondi Junction (AU)

(**) Term: **15 Years**

(21) Appl. No.: **29/538,229**

(22) Filed: **Sep. 2, 2015**

(51) **LOC (10) Cl.** **25-02**

(52) **U.S. Cl.**
USPC **D25/48.5**

(58) **Field of Classification Search**

USPC D25/38.1, 39, 48.1, 48.5; 49/55, 56, 177,
49/272, 386, 394, 465; 256/25, 26;
292/71

CPC ... E05C 1/145; E06B 7/32; E06B 9/00; E06B
9/04; E06B 9/06

See application file for complete search history.

(56) **References Cited**

U.S. PATENT DOCUMENTS

D341,207 S *	11/1993	Freese	D25/38.1
D355,261 S *	2/1995	Abrams	D25/38.1
5,396,732 A *	3/1995	Andersen	E06B 9/02 49/255
D397,448 S *	8/1998	Brevi	D25/48.5
6,176,042 B1 *	1/2001	Rossmann	A01K 1/0017 160/210
6,301,832 B1 *	10/2001	Andersen	A01K 1/0017 49/57
6,536,163 B1 *	3/2003	Monahan	E05B 65/0014 292/336.3
6,711,854 B1 *	3/2004	Andersen	E06B 9/02 49/50
D583,070 S *	12/2008	Lai	D25/48.5
D626,660 S *	11/2010	Bertsch	D25/48.5
D626,661 S *	11/2010	Bertsch	D25/48.5
D665,511 S *	8/2012	Bertsch	D25/48.5
8,341,886 B2 *	1/2013	Yates	E05B 65/0007 204/468

(Continued)

OTHER PUBLICATIONS

<http://www.toysrus.com/buy/doorway-gates/dreambaby-broadway-gro-gate-with-track-it-technology-white-I853-79938806> Earliest Review Apr. 2016.*

Primary Examiner — Susan Bennett Hattan

Assistant Examiner — Leanne Was-Englehart

(74) *Attorney, Agent, or Firm* — Wolf, Greenfield & Sacks, P.C.

(57) **CLAIM**

The ornamental design for a gate, as shown and described.

DESCRIPTION

FIG. 1 illustrates top, front, right side view of a gate showing my new design;

FIG. 2 illustrates a top, front, left side view thereof;

FIG. 3 illustrates a front view thereof;

FIG. 4 illustrates an enlarged, fragmentary top, front, right side view of the gate;

FIG. 5 illustrates a top, right side view thereof;

FIG. 6 illustrates a top, rear, right side view thereof;

FIG. 7 illustrates a top, front, right side view thereof;

FIG. 8 illustrates a top, rear, right side view thereof;

FIG. 9 illustrates a right side view thereof;

FIG. 10 illustrates a top, front, left side view thereof;

FIG. 11 illustrates a left side view thereof;

FIG. 12 illustrates a front view thereof; and

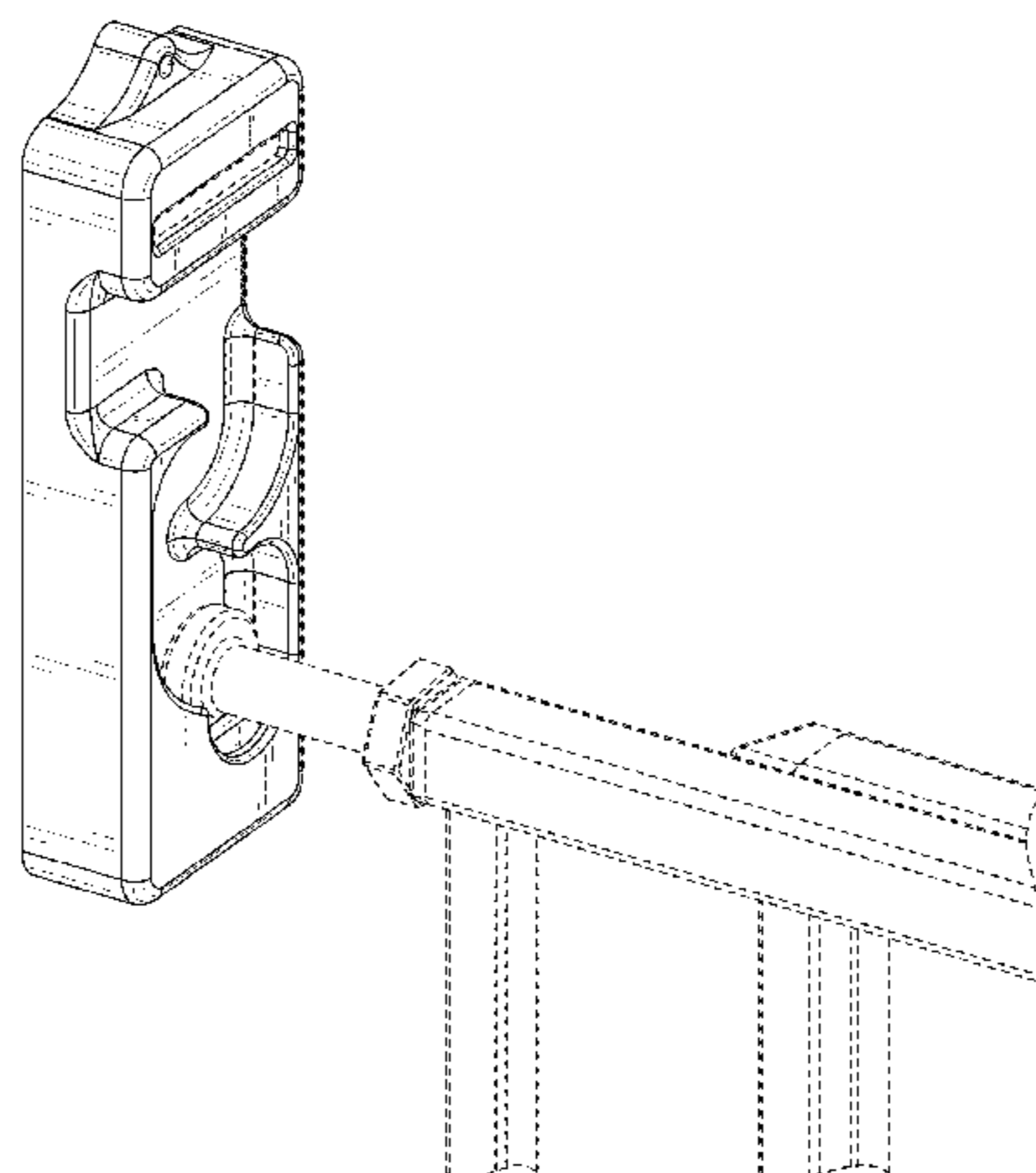
FIG. 13 illustrates a rear view thereof.

FIG. 14 illustrates a bottom view thereof; and,

FIG. 15 illustrates a top view thereof.

The broken lines represent portions of the gate that form no part of the claimed design. The four long vertical broken lines in FIG. 3 represent environment and form no part of the claimed design.

1 Claim, 15 Drawing Sheets



(56)

References Cited

U.S. PATENT DOCUMENTS

D681,848	S *	5/2013	Gessford	D25/39
9,279,284	B1 *	3/2016	Axelrod	E06B 7/32
9,366,075	B2 *	6/2016	Marsden	E06B 9/02
9,388,603	B2 *	7/2016	Flannery	E05B 1/0053
9,464,467	B1 *	10/2016	Flannery	E05B 65/0007
2002/0157316	A1 *	10/2002	Andersen	E06B 9/04 49/55
2004/0045222	A1 *	3/2004	Hicks	E05F 1/066 49/394
2006/0081826	A1 *	4/2006	Cheng	E06B 9/04 256/22
2006/0092378	A1 *	5/2006	Marsden	E06B 9/04 352/221
2006/0185253	A1 *	8/2006	Marsden	E05B 65/0014 49/465
2007/0294944	A1 *	12/2007	Pedersen	E06B 9/04 49/50
2008/0028681	A1 *	2/2008	Andersen	E06B 9/04 49/13
2010/0293861	A1 *	11/2010	Ting	E05B 47/026 49/394
2012/0117885	A1 *	5/2012	DeGott	E05F 3/12 49/386
2013/0086840	A1 *	4/2013	Marsden	E05B 41/00 49/13
2015/0089873	A1 *	4/2015	Marsden	E06B 9/02 49/56
2015/0101250	A1 *	4/2015	Marsden	E06B 9/0623 49/55
2015/0101253	A1 *	4/2015	Marsden	E05C 19/003 49/386
2015/0259964	A1 *	9/2015	Linehan	E05B 1/0053 49/272

* cited by examiner

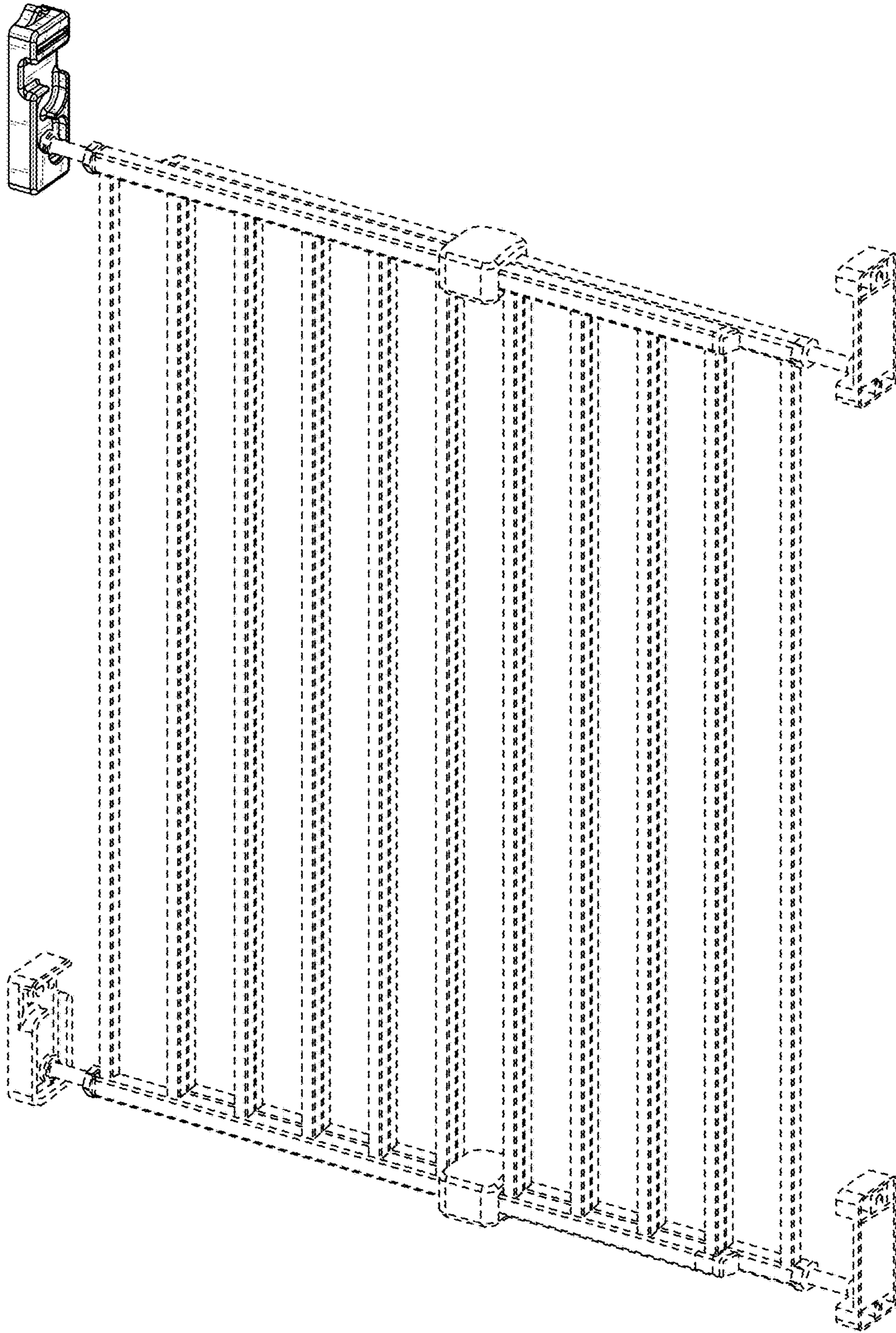


FIG. 1

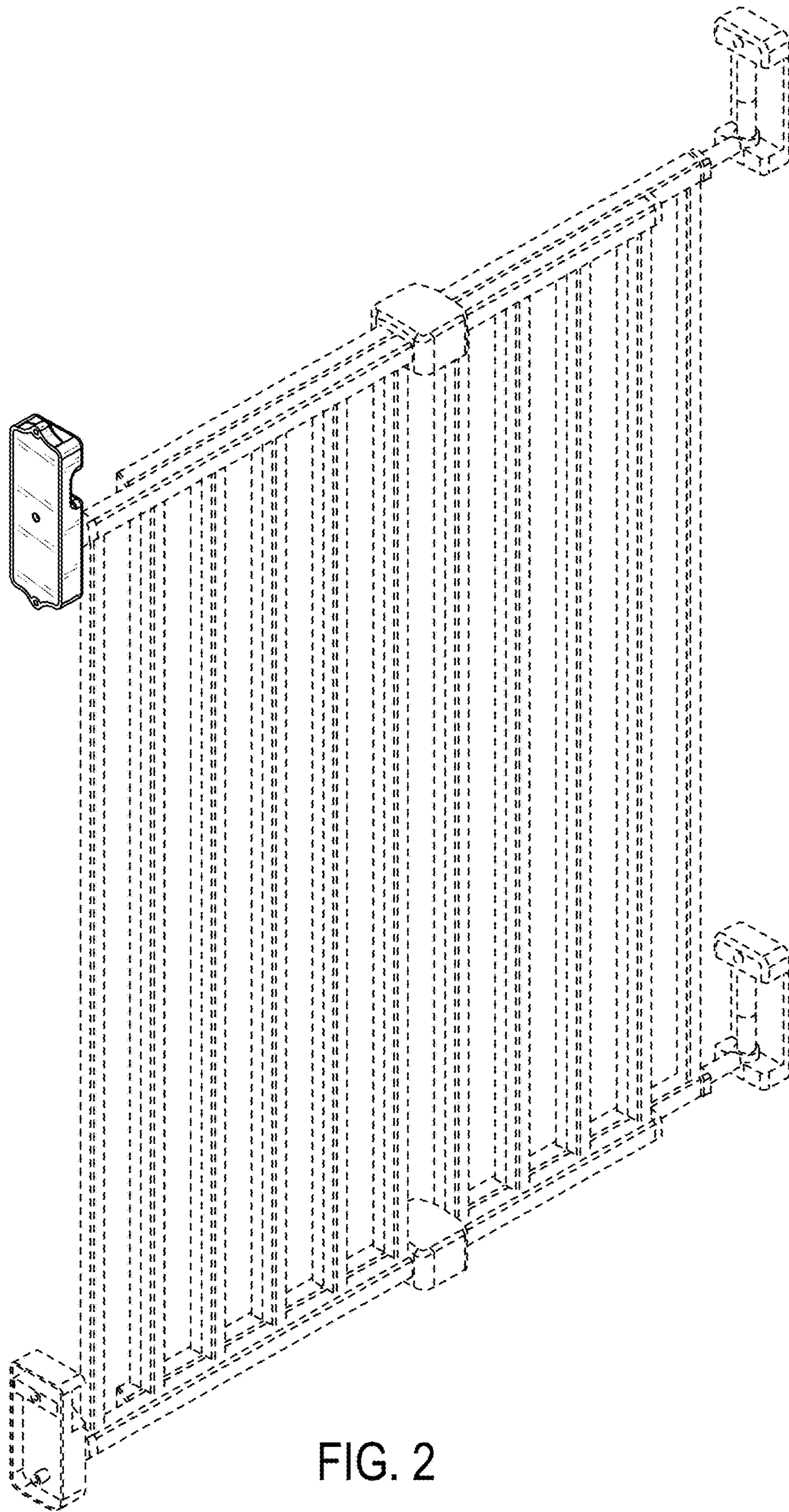


FIG. 2

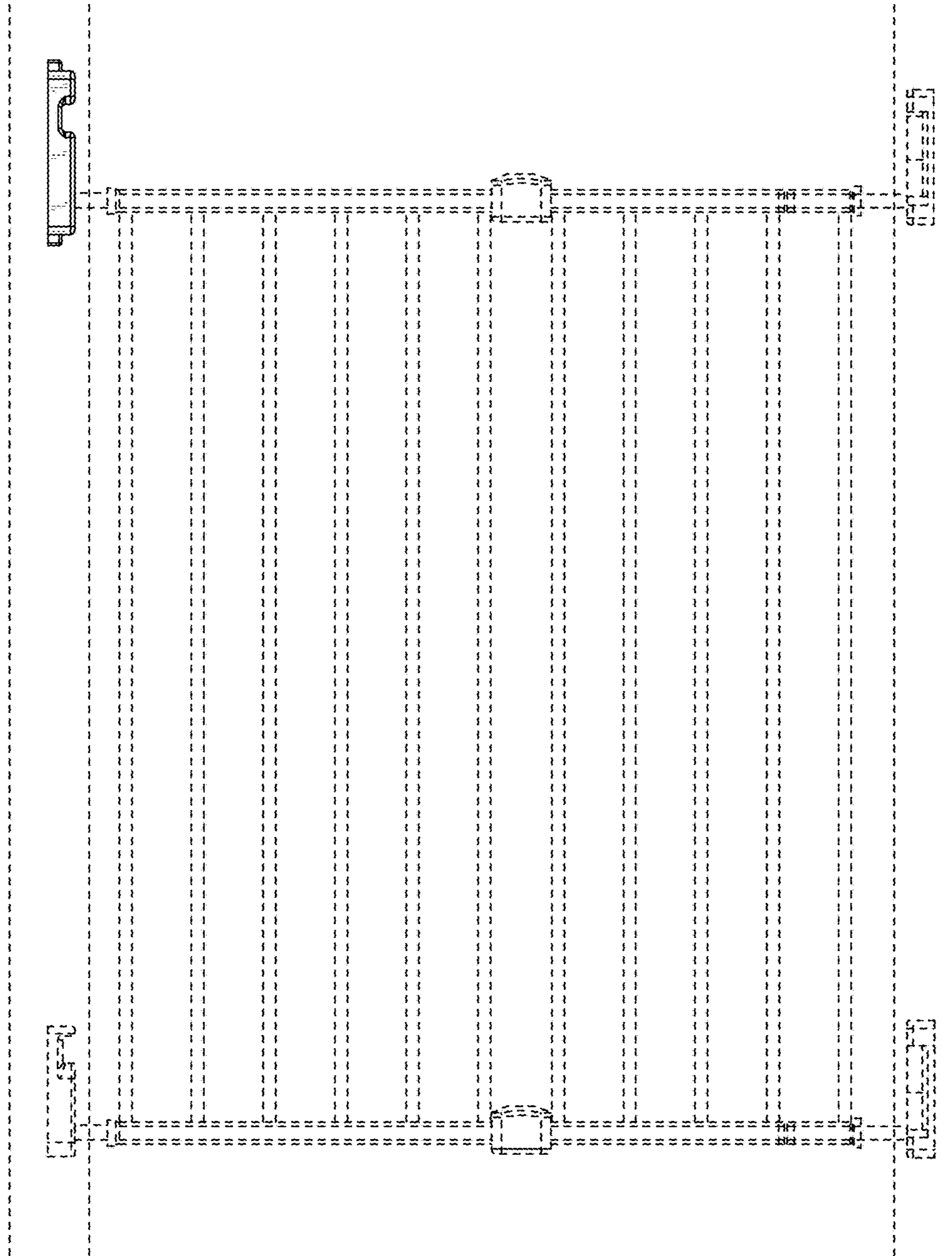


FIG. 3

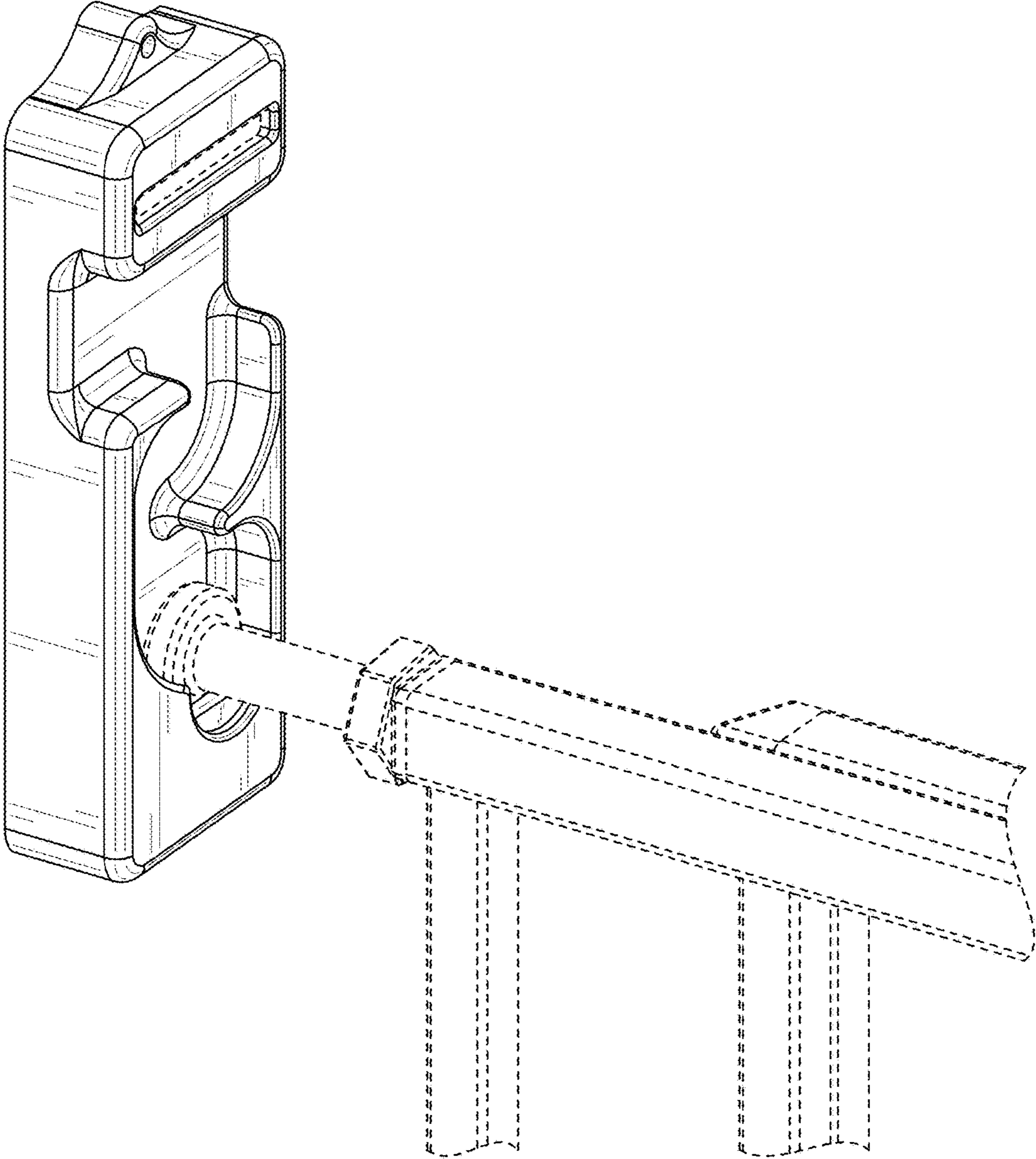


FIG. 4

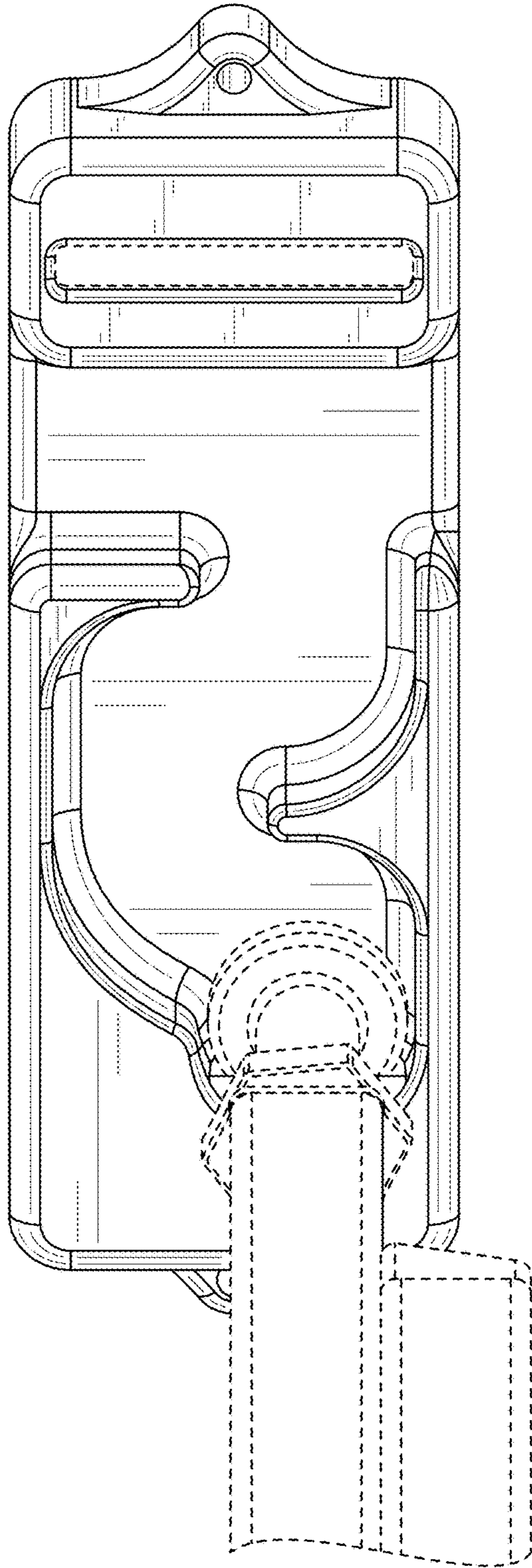


FIG. 5

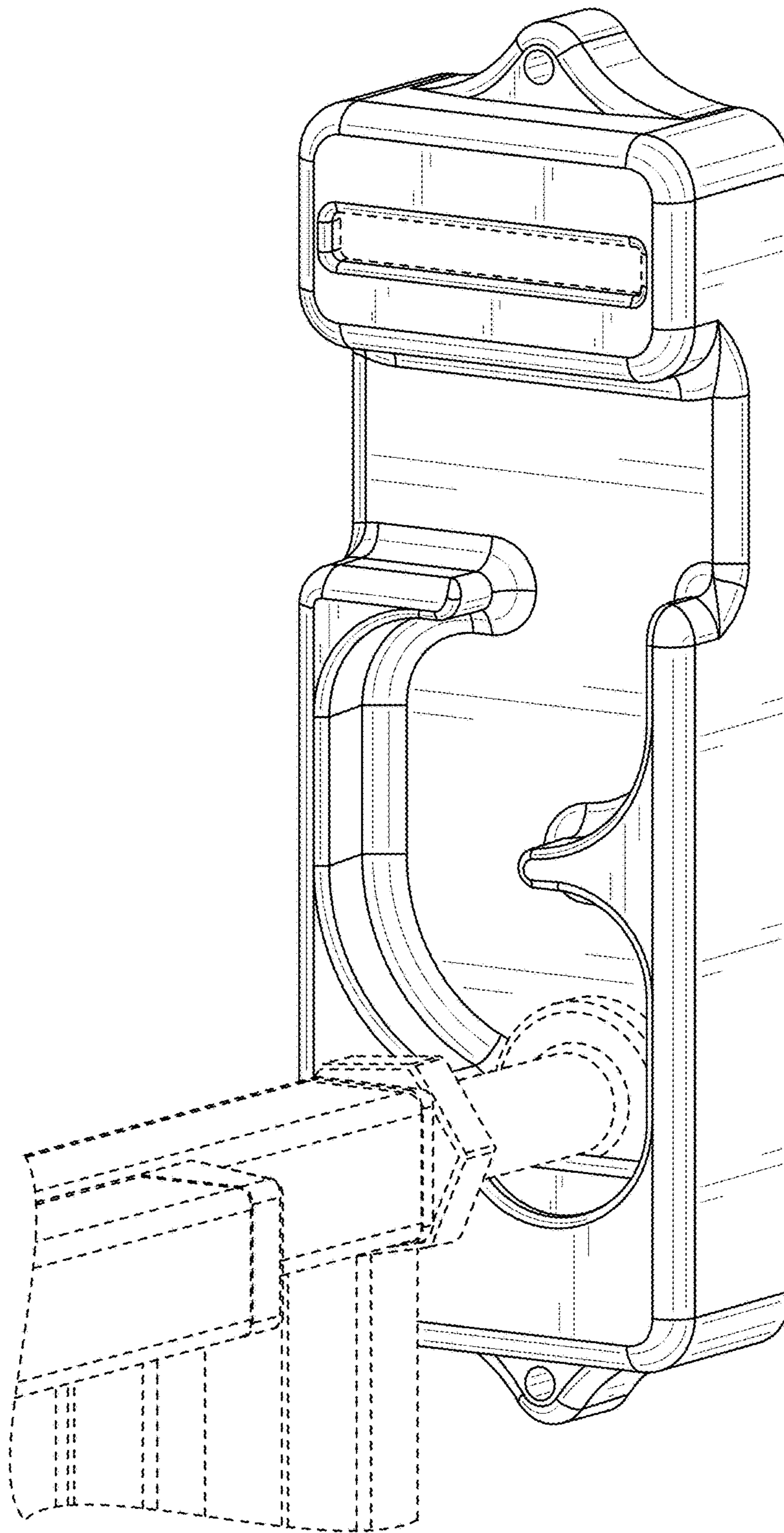


FIG. 6

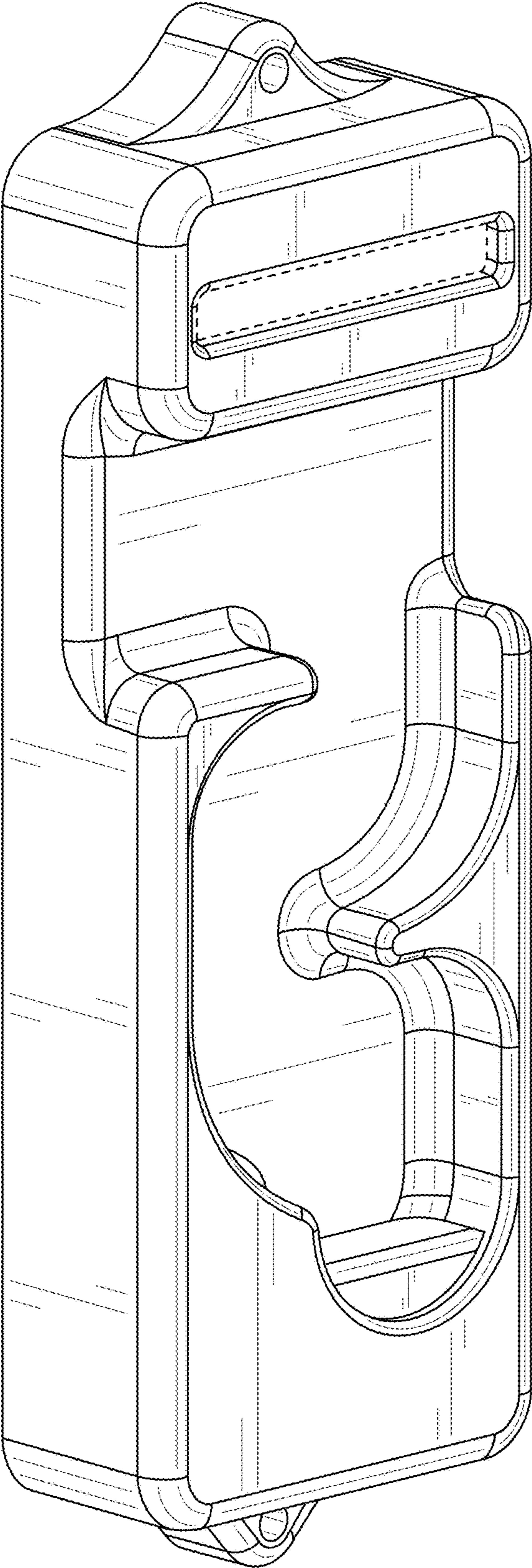


FIG. 7

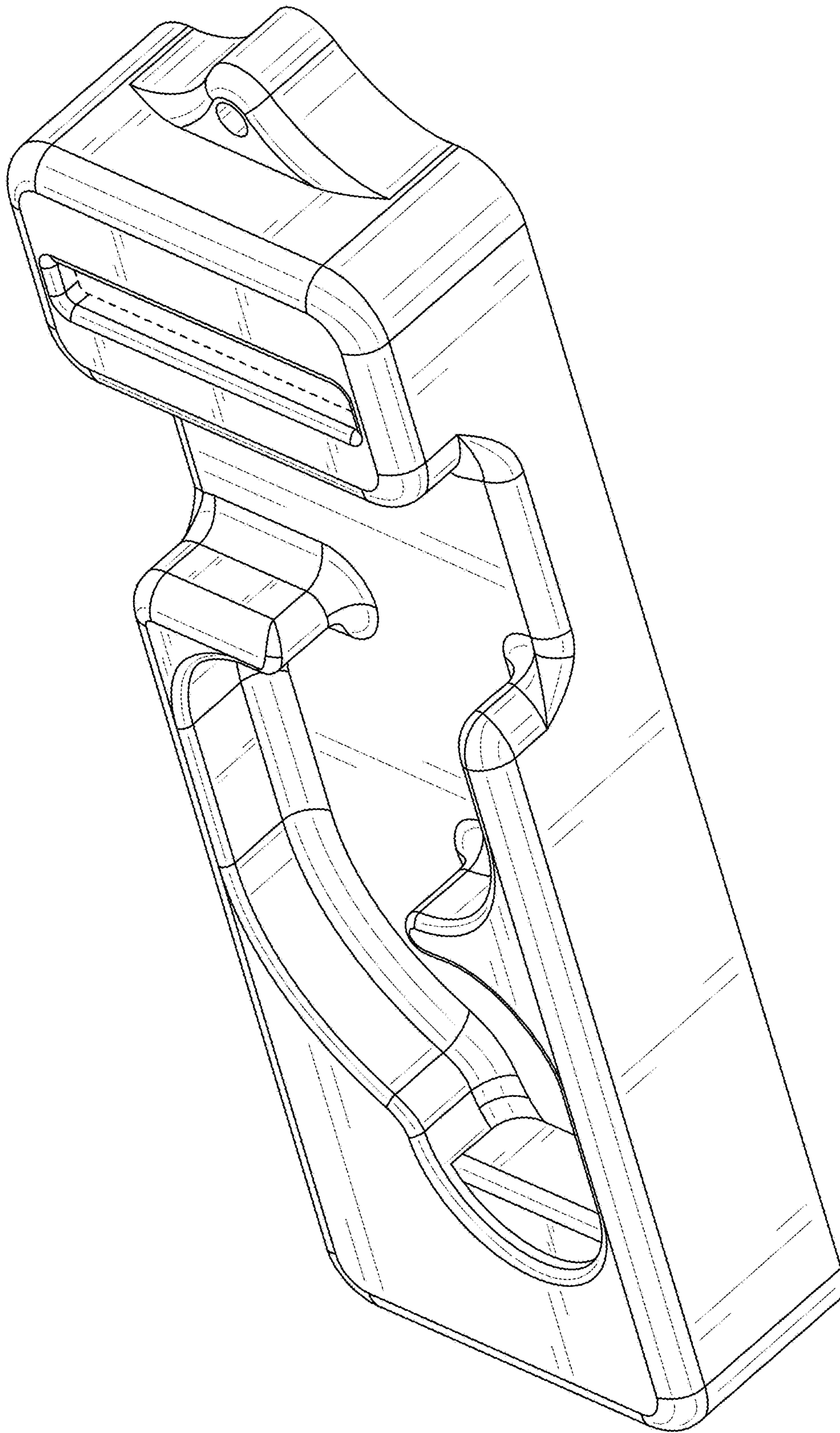


FIG. 8

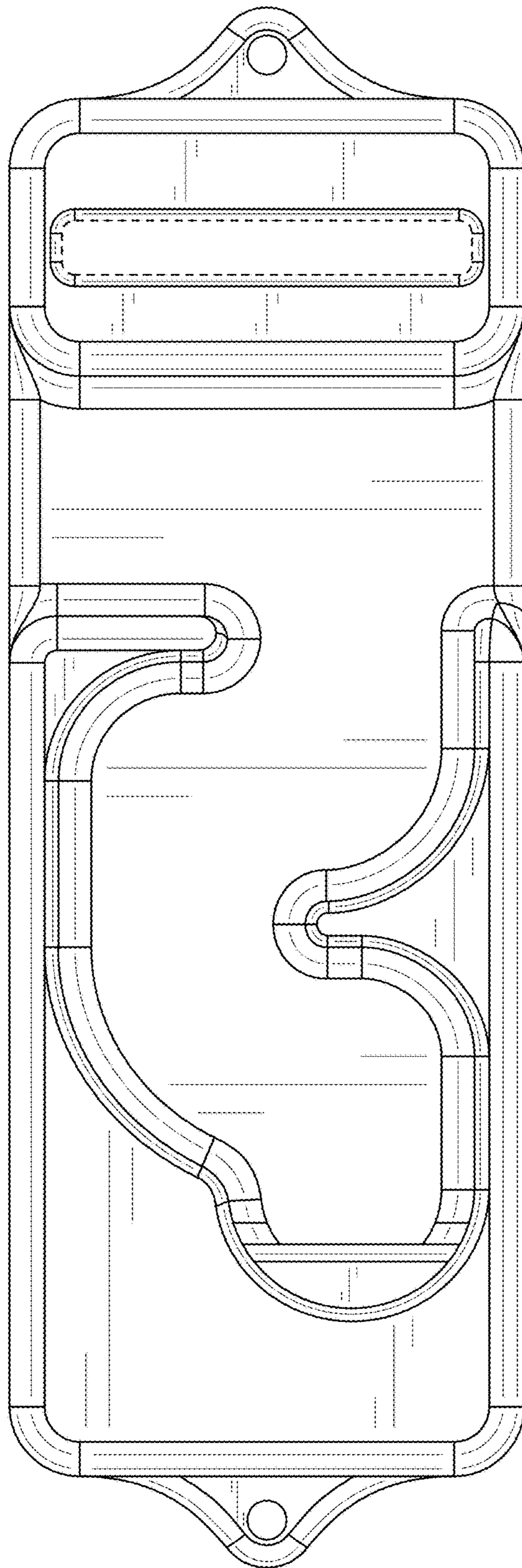


FIG. 9

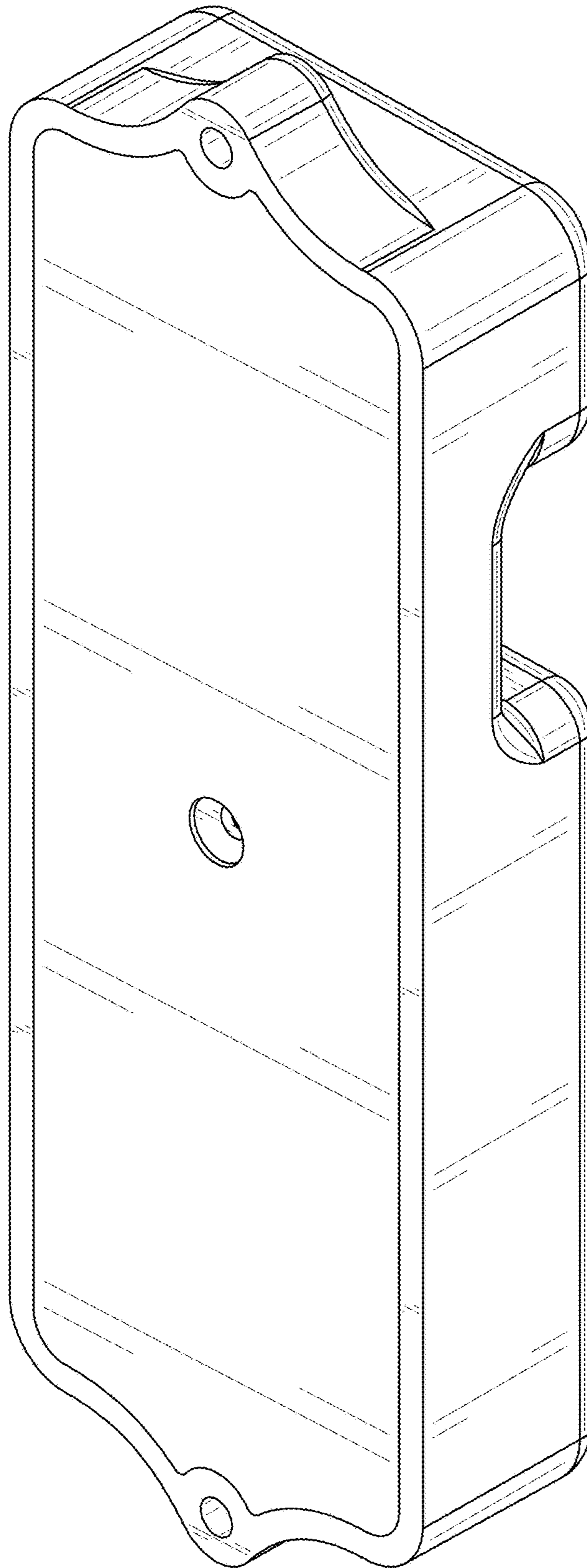


FIG. 10

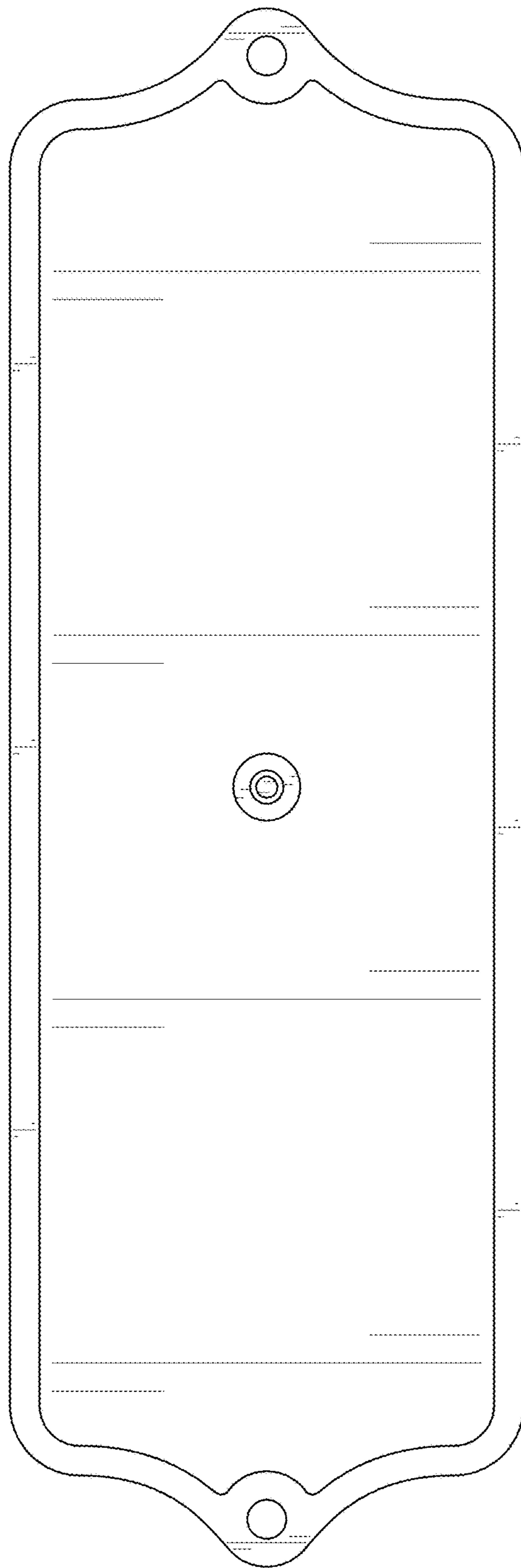


FIG. 11

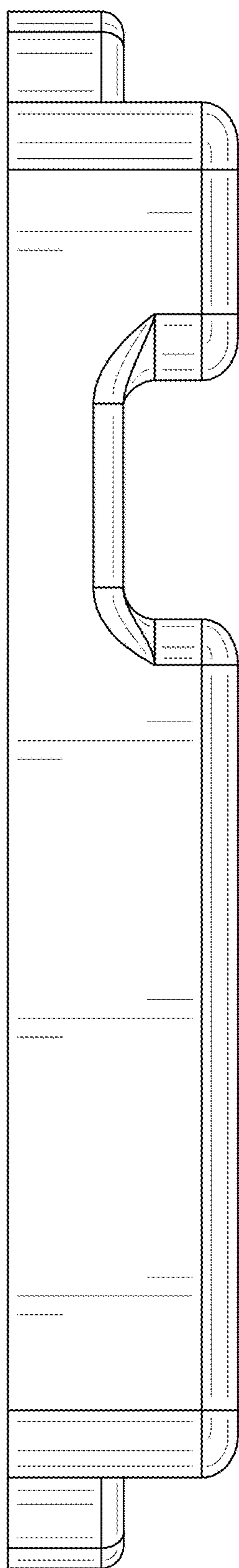


FIG. 12

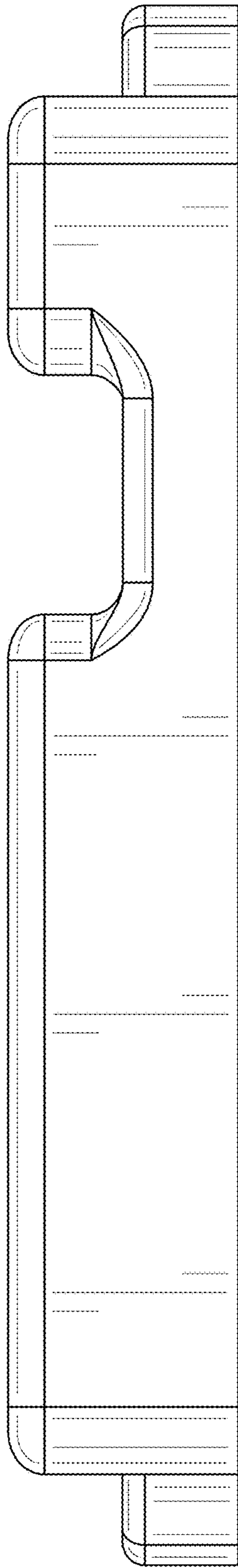


FIG. 13

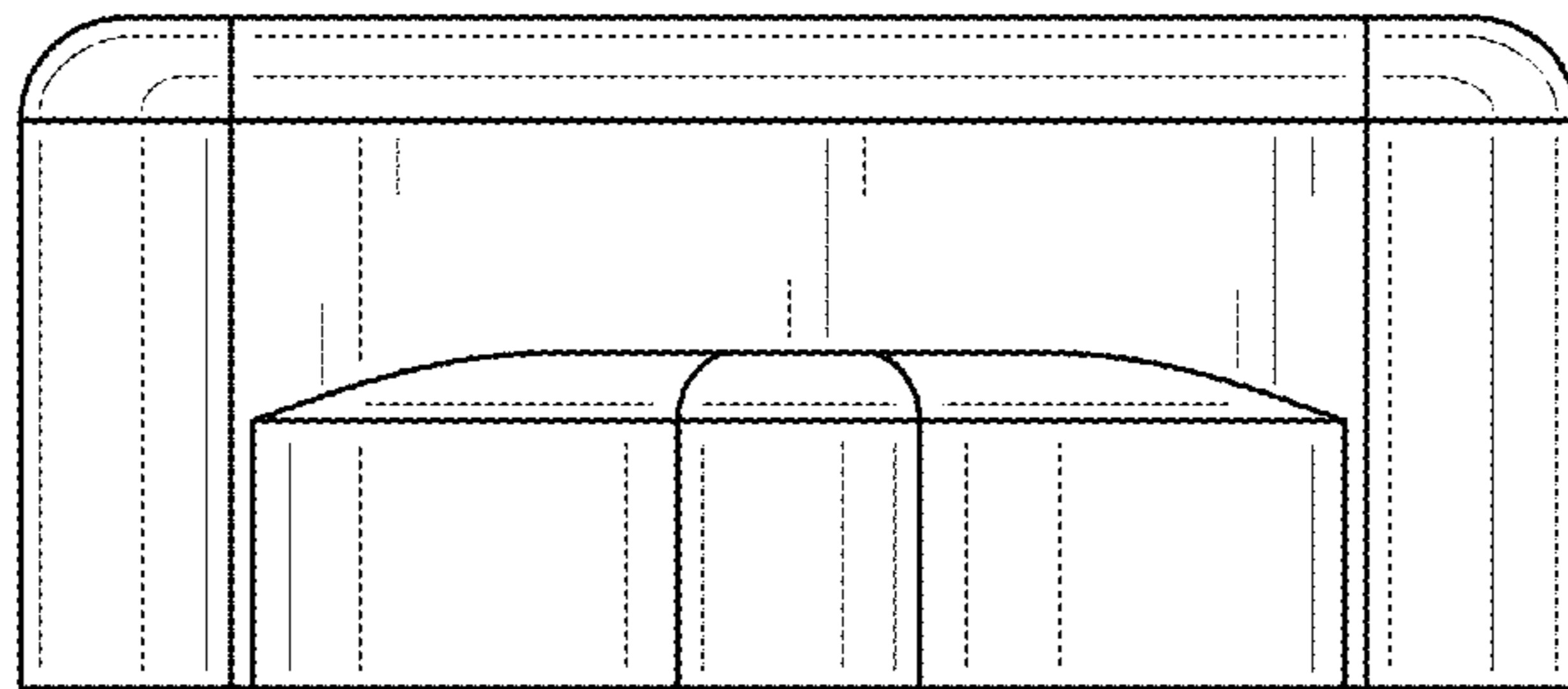


FIG. 14

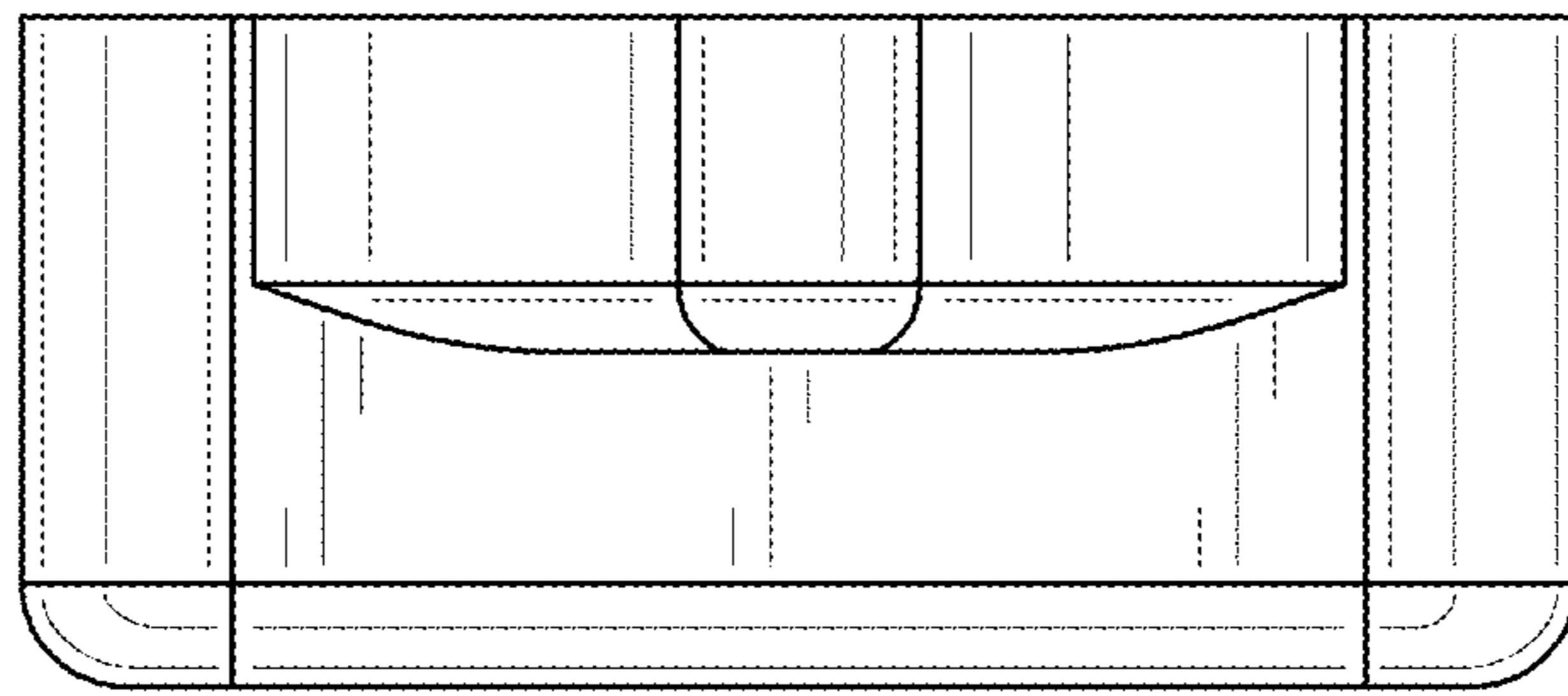


FIG. 15