



US00D796690S

(12) **United States Design Patent** (10) **Patent No.:** **US D796,690 S**
Cicos et al. (45) **Date of Patent:** **** Sep. 5, 2017**

(54) **DOOR EDGE**

(71) Applicants: **Emrah Cicos**, Sterling, VA (US);
Kubulay Avci, Sterling, VA (US)

(72) Inventors: **Emrah Cicos**, Sterling, VA (US);
Kubulay Avci, Sterling, VA (US)

(**) Term: **15 Years**

(21) Appl. No.: **29/562,126**

(22) Filed: **Apr. 22, 2016**

(51) **LOC (10) Cl.** **25-01**

(52) **U.S. Cl.**
USPC **D25/48.3**

(58) **Field of Classification Search**
USPC D25/48.1, 48.3, 55, 60, 61; 49/380, 470,
49/474, 501, 504, 505
CPC F25D 23/02; E06B 1/32
See application file for complete search history.

(56) **References Cited**

U.S. PATENT DOCUMENTS

- D188,180 S * 6/1960 Grayboff D25/58
- 3,271,919 A * 9/1966 Olton E06B 3/88
52/717.01
- 5,161,329 A * 11/1992 Brown F25D 23/02
49/380
- D437,943 S * 2/2001 Velidedeoglu D25/48.3

- D602,169 S * 10/2009 Cooper D25/48.3
- D757,300 S * 5/2016 Haberland D25/48.1
- 2015/0361718 A1 * 12/2015 Hummel E06B 9/54
160/189

* cited by examiner

Primary Examiner — Susan Bennett Hattan
Assistant Examiner — Leanne Was-Englehart
(74) *Attorney, Agent, or Firm* — Maier & Maier, PLLC

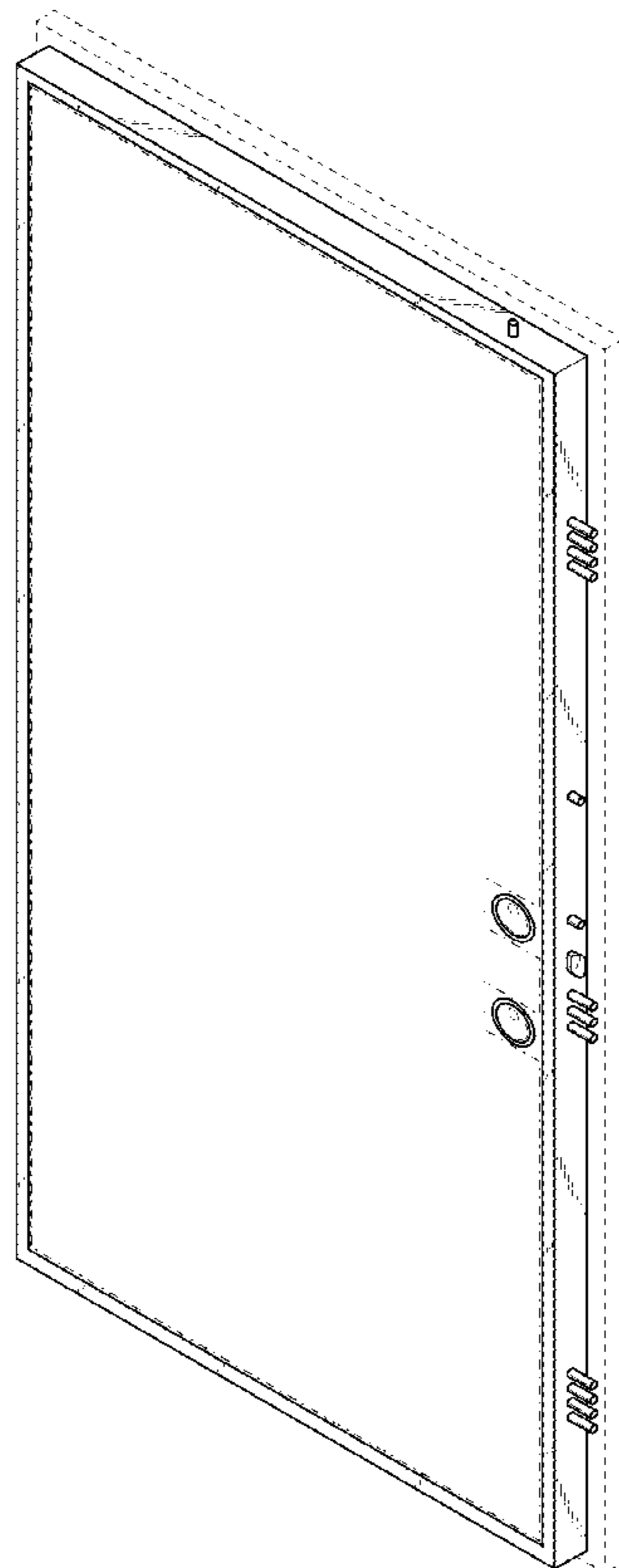
(57) **CLAIM**

The ornamental design for an door edge, as shown and described.

DESCRIPTION

FIG. 1 is a front-right isometric view of an door edge, showing our design;
FIG. 2 is a front-left isometric view thereof;
FIG. 3 is a front elevational view thereof;
FIG. 4 is a right side elevational view thereof;
FIG. 5 is a left side elevational view thereof;
FIG. 6 is a top plan view thereof;
FIG. 7 is a bottom plan view thereof; and,
FIG. 8 is a rear elevational view thereof.
The dash-dash-dash broken line showing in the Figures illustrates the environment of the door edge and forms no part of the claimed design. The dash-dot-dash broken line showing in the Figures represents the boundaries of the claim and forms no part of the claimed design.

1 Claim, 6 Drawing Sheets



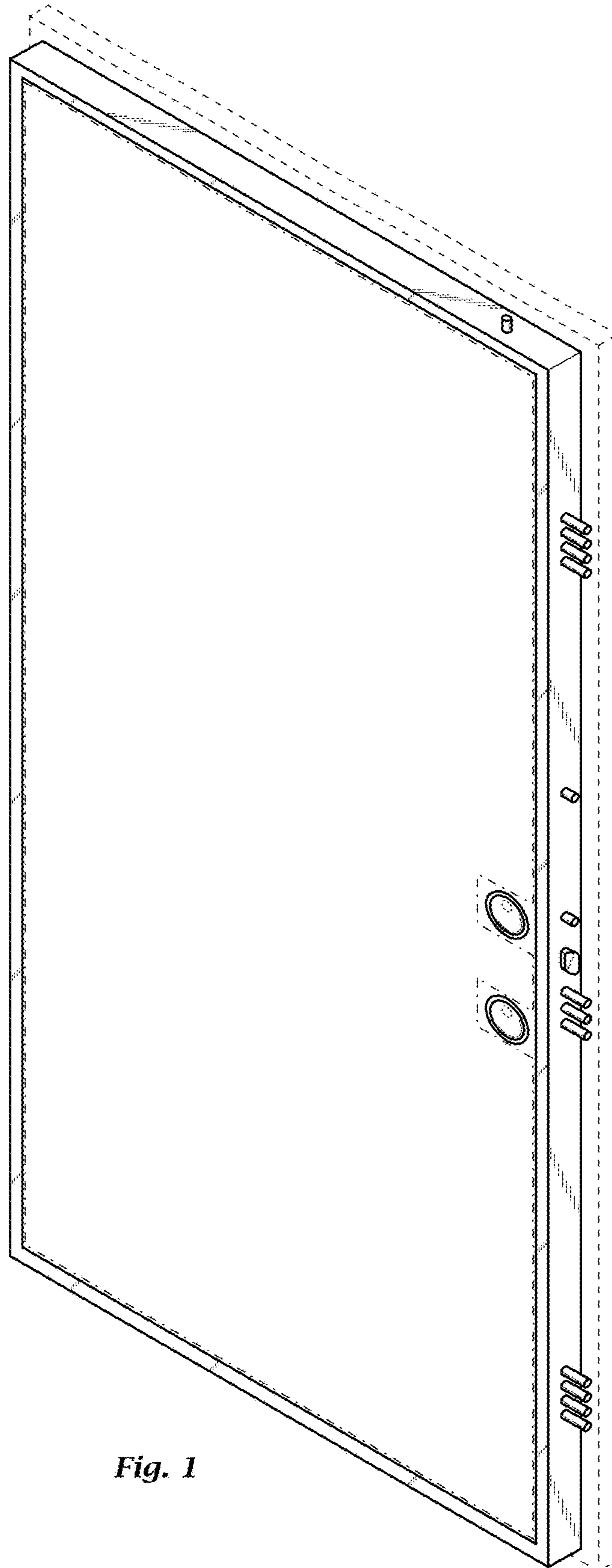


Fig. 1

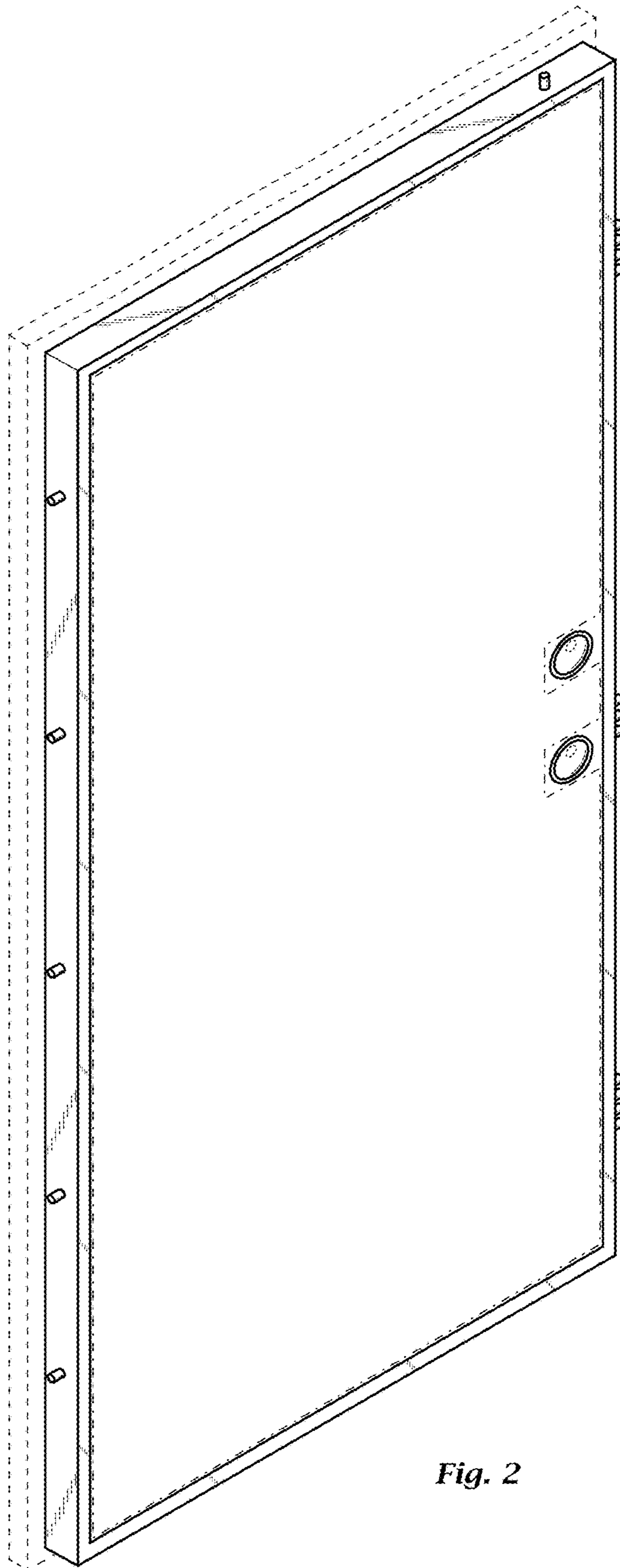


Fig. 2

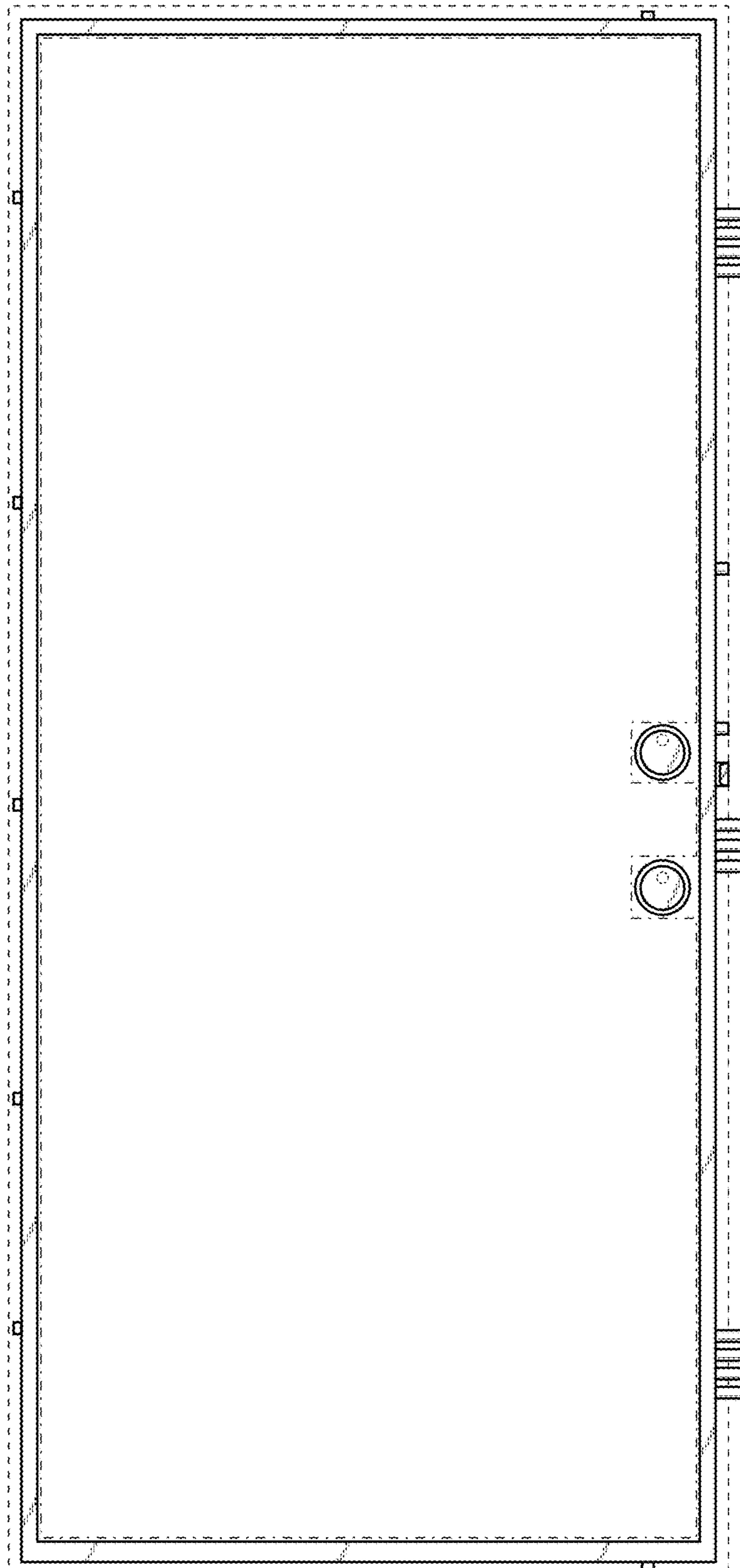


Fig. 3

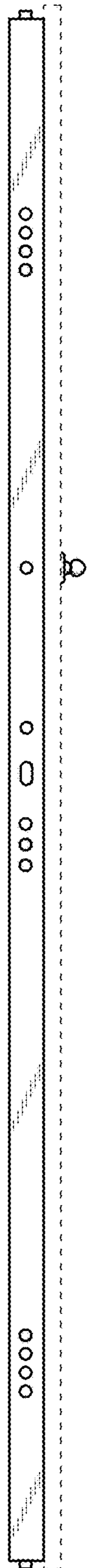


Fig. 4

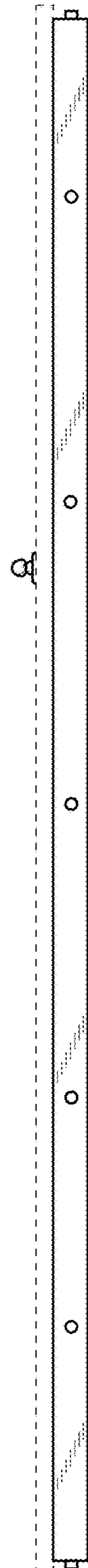


Fig. 5

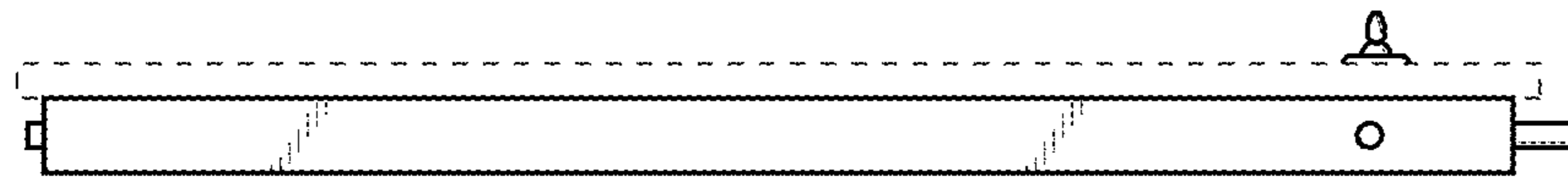


Fig. 6

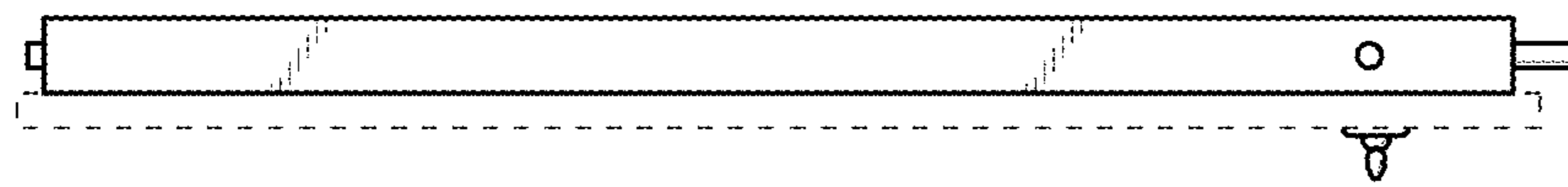


Fig. 7

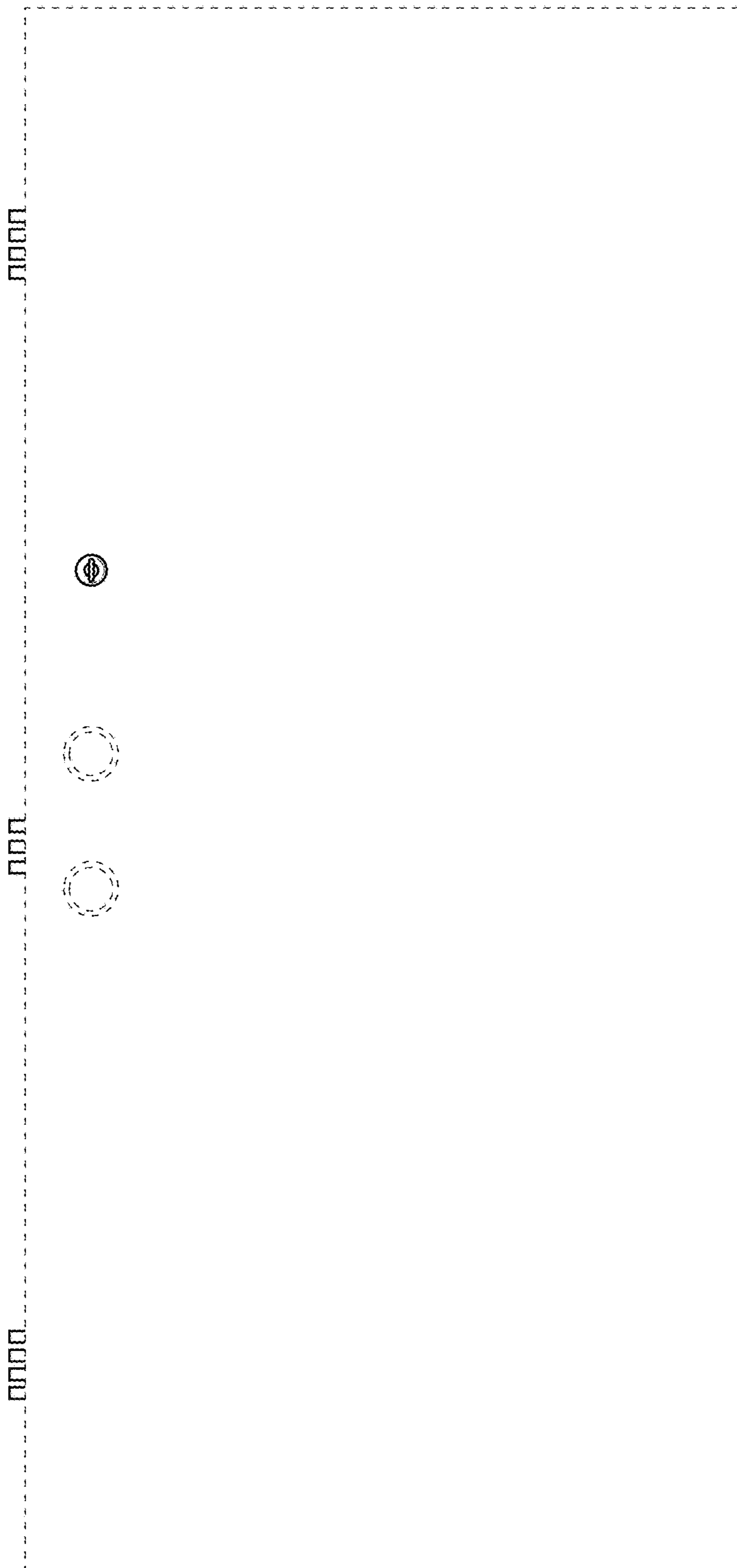


Fig. 8