



US00D796688S

(12) **United States Design Patent** (10) **Patent No.:** **US D796,688 S**
Zwaan et al. (45) **Date of Patent:** **** Sep. 5, 2017**

(54) **STORAGE CASSETTE**
(71) Applicant: **Fumacare Limited**, Henderson,
Auckland (NZ)
(72) Inventors: **Paul Francis Zwaan**, Christchurch
(NZ); **Michael Freeman**, Auckland
(NZ); **Patricia Margaret Butler**,
Auckland (NZ); **Raymond Thomas
Butler**, Auckland (NZ)
(73) Assignee: **Butler Concepts Limited**, Henderson
(NZ)
(**) Term: **14 Years**
(21) Appl. No.: **29/514,189**

5,009,316 A * 4/1991 Klein B01L 9/06
206/443
D468,436 S * 1/2003 Brassil D24/107
6,803,227 B2 * 10/2004 Wood A01N 1/0247
435/284.1
D531,320 S * 10/2006 Garland D24/107
7,179,424 B2 * 2/2007 Williamson, IV B01L 3/545
422/536
7,776,274 B2 * 8/2010 Williamson, IV B01L 3/508
422/400
D629,119 S * 12/2010 Motadel D24/224
D638,136 S * 5/2011 Parunak D24/224
D661,403 S * 6/2012 Connelly D24/224
D666,305 S * 8/2012 Benarieh D24/232
D668,350 S * 10/2012 Rowley D24/225
D669,589 S * 10/2012 Delaey D24/169
D672,042 S * 12/2012 Delaey D24/169
D691,711 S * 10/2013 Lofgren D24/107
D692,573 S * 10/2013 Steinman D24/216

(Continued)

(22) Filed: **Jan. 9, 2015**
(51) **LOC (10) Cl.** **24-00**
(52) **U.S. Cl.**
USPC **D24/231**
(58) **Field of Classification Search**
USPC D24/231, 129, 224, 225, 169, 107, 216,
D24/229, 232, 186; D9/737; 53/451;
222/522; 220/771; 422/45, 356, 400;
206/443; 435/284.1
CPC A01N 1/0205; A01N 1/00; A01N 1/0247;
F25D 3/00; B01L 9/06; B01L 3/545;
B01L 3/508
See application file for complete search history.

Primary Examiner — Rhea Shields
(74) Attorney, Agent, or Firm — Fitch, Even, Tabin &
Flannery LLP

(57) **CLAIM**

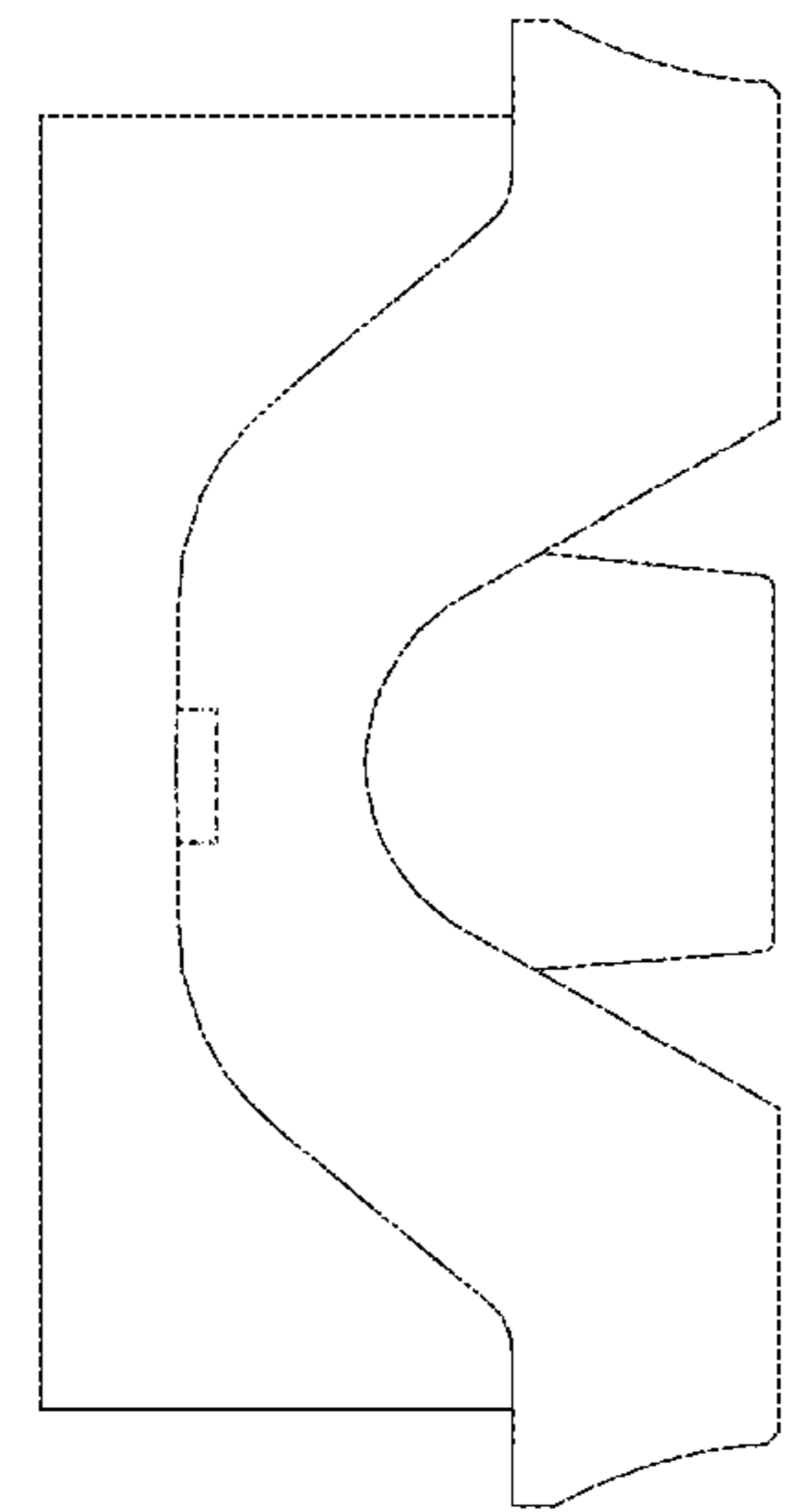
We claim the ornamental design for a storage cassette, as shown and described.

DESCRIPTION

FIG. 1 is a front view of the storage cassette, showing our new design;
FIG. 2 is a rear view thereof;
FIG. 3 is a top view thereof;
FIG. 4 is a right hand side view thereof;
FIG. 5 is a left hand side view thereof;
FIG. 6 is a bottom view thereof;
FIG. 7 is a front isometric view thereof; and,
FIG. 8 is a rear isometric view thereof.
In the drawings, the broken lines are for the purpose of illustrating environment only and form no part of the claimed design.

(56) **References Cited**
U.S. PATENT DOCUMENTS
3,660,241 A * 5/1972 Michielsen A01N 1/0205
222/522
3,810,367 A * 5/1974 Peterson F25D 3/00
220/771
3,843,455 A * 10/1974 Bier A01N 1/00
422/45

1 Claim, 8 Drawing Sheets



(56)

References Cited

U.S. PATENT DOCUMENTS

D692,575 S *	10/2013	Steinman	D24/216
D692,577 S *	10/2013	Steinman	D24/216
D700,355 S *	2/2014	Davis	D24/225
D701,972 S *	4/2014	Ohmae	D24/229
D706,446 S *	6/2014	Ingber	D24/224
D733,320 S *	6/2015	Perry	D24/231
D742,529 S *	11/2015	Huffman	D24/186
D748,991 S *	2/2016	Cerrato	D9/737
D750,272 S *	2/2016	Hage	D24/224
D760,400 S *	6/2016	Grune	D24/219
2016/0114975 A1 *	4/2016	Butler	B65F 1/062 53/451

* cited by examiner

FIG. 1

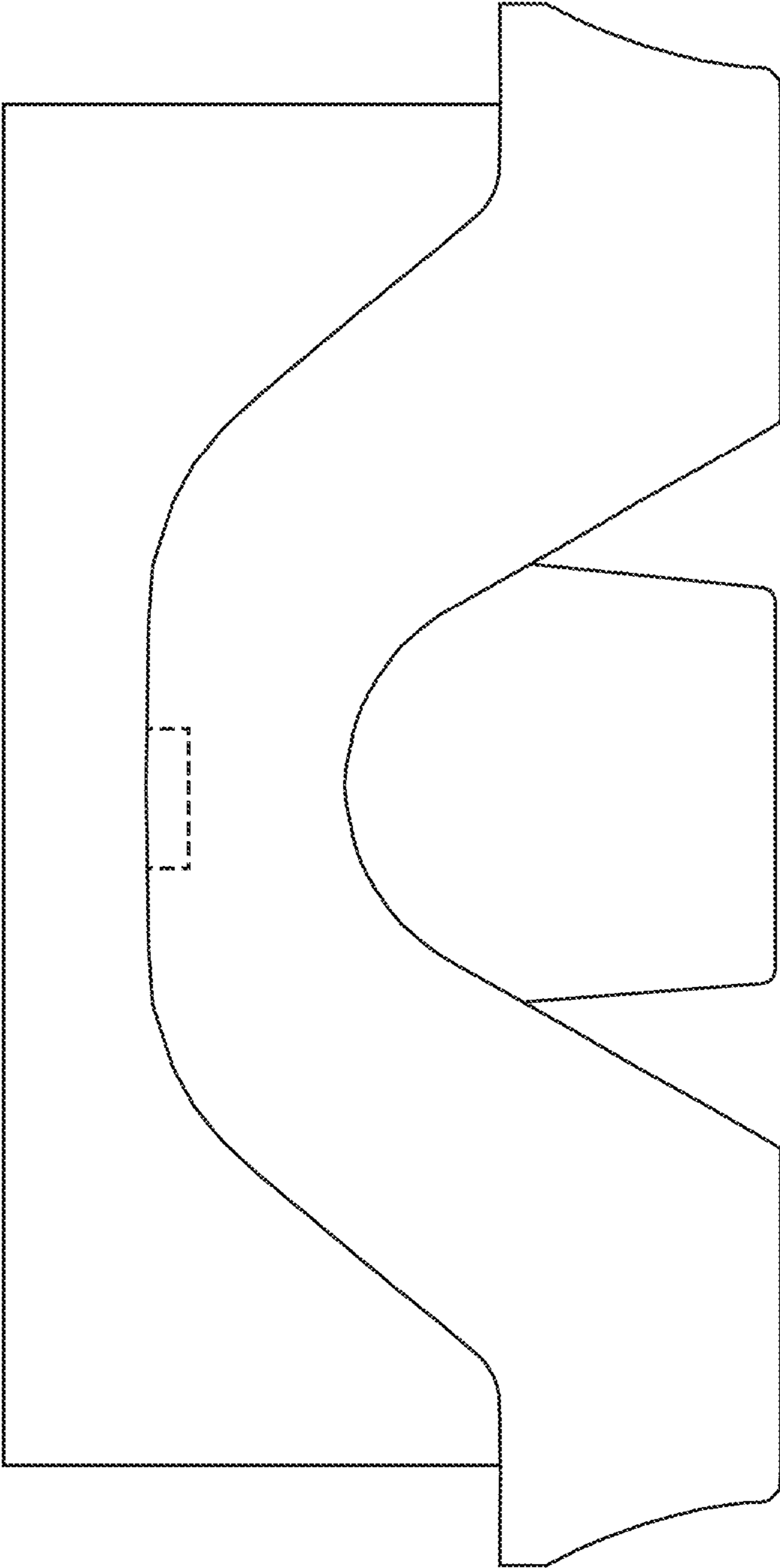


FIG. 2

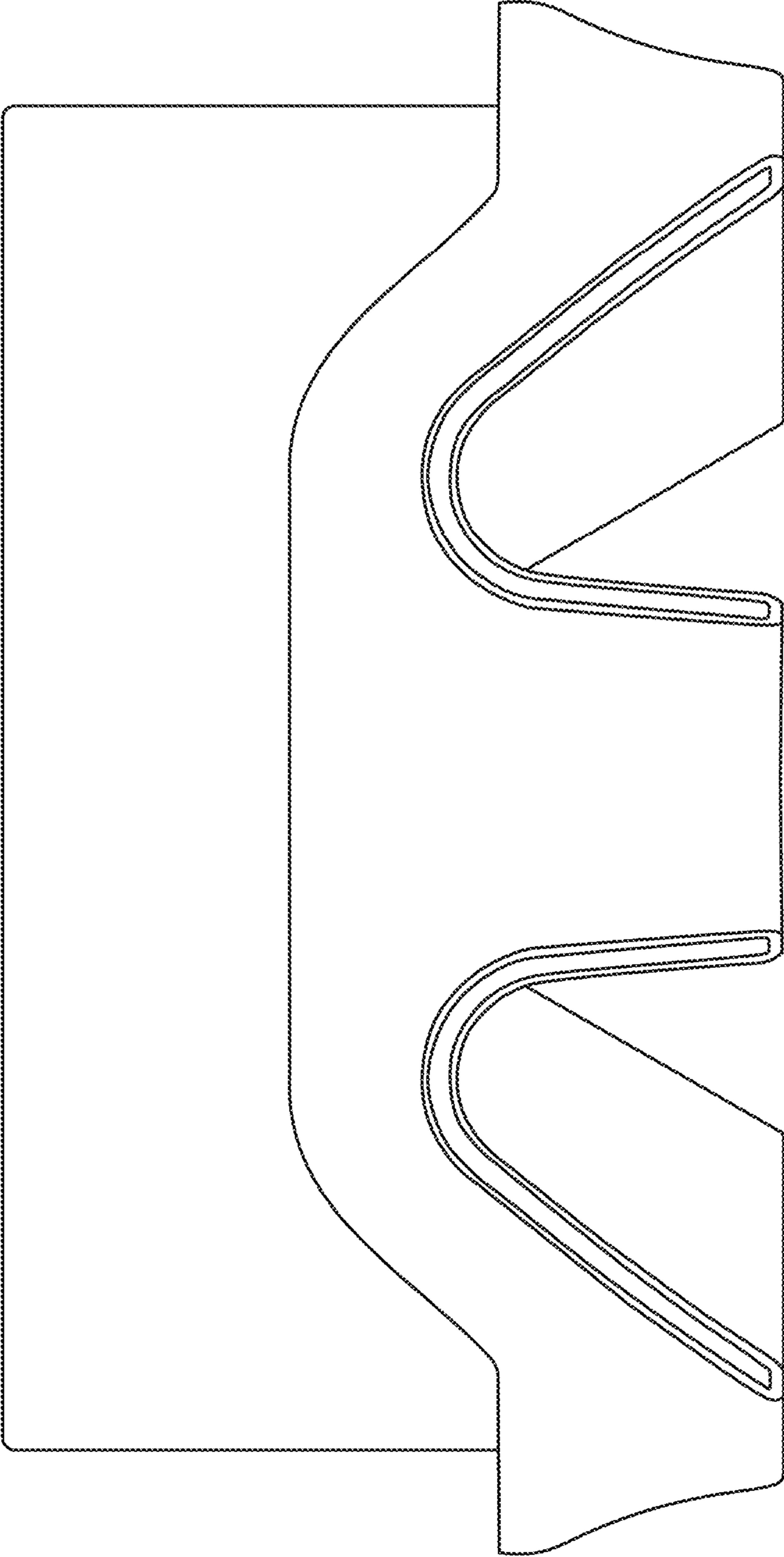


FIG. 3

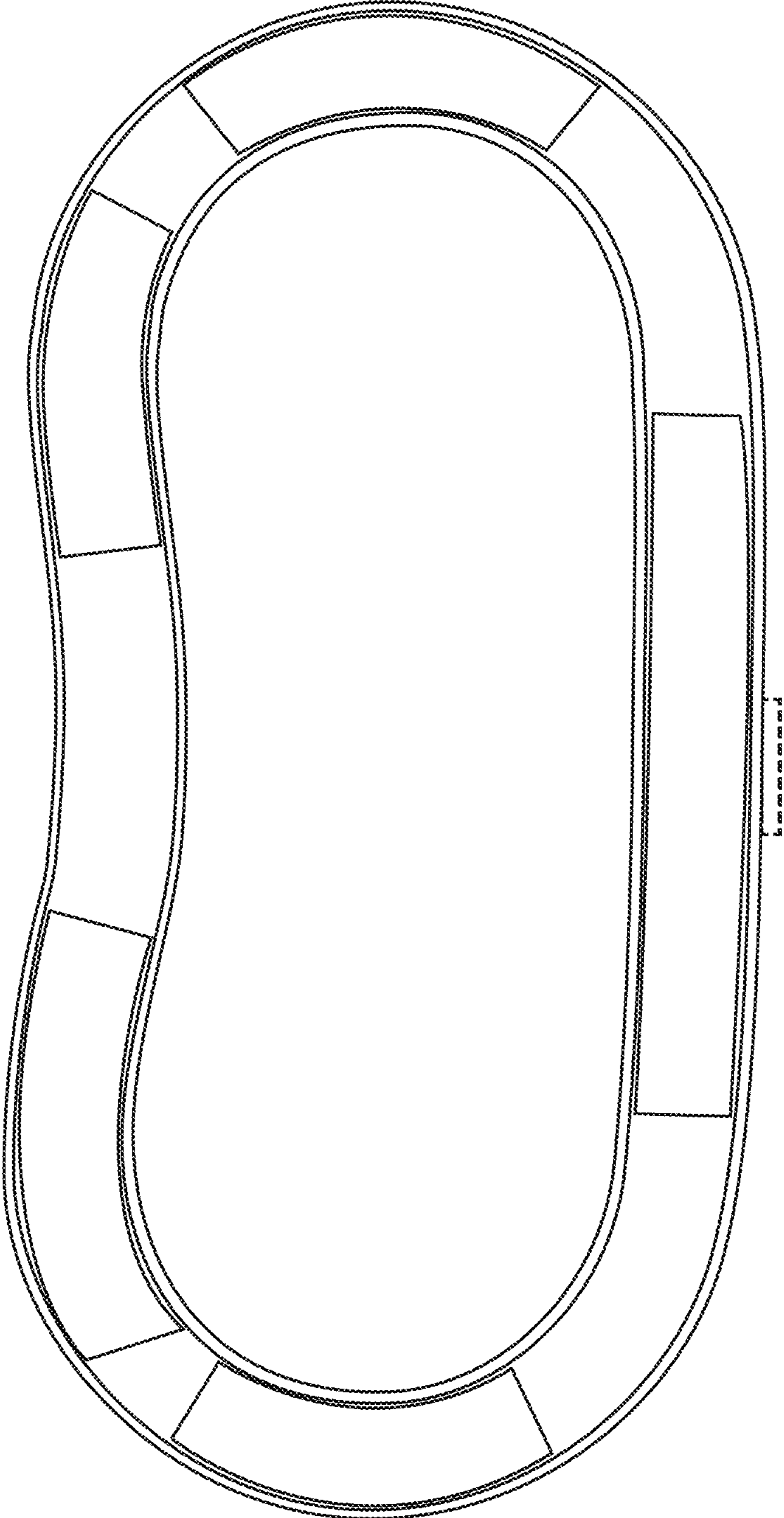


FIG. 4

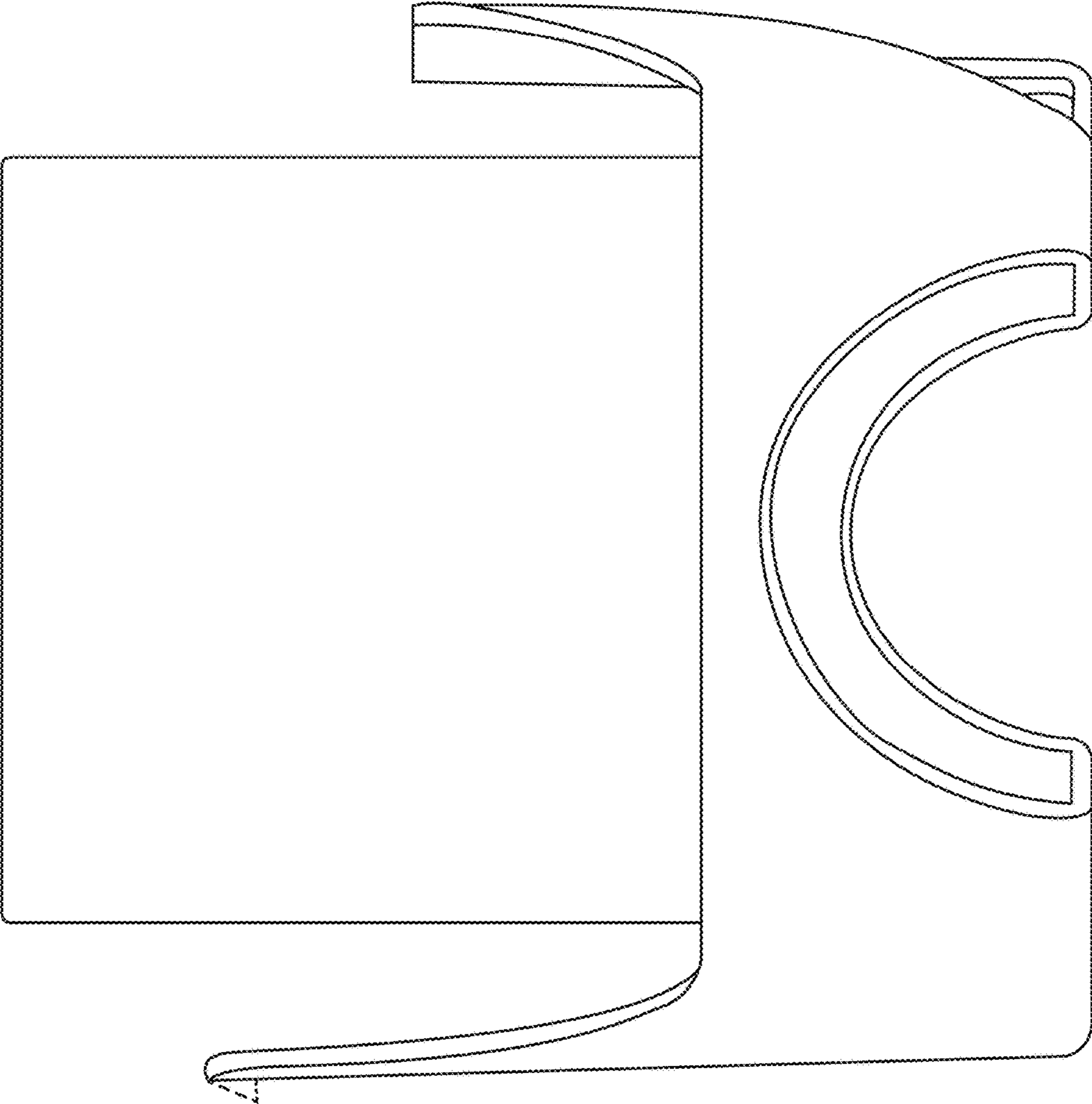


FIG. 5

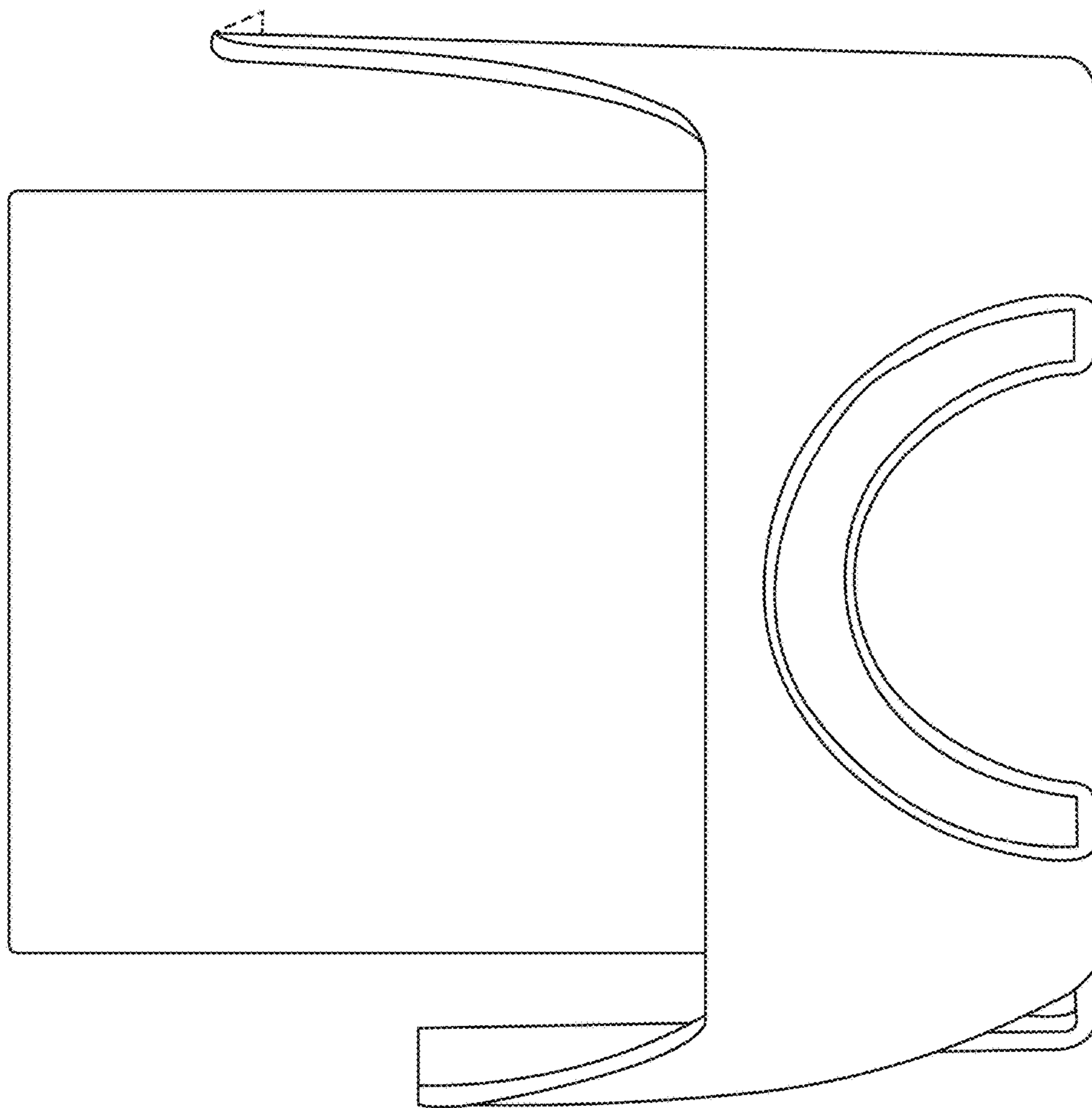


FIG. 6

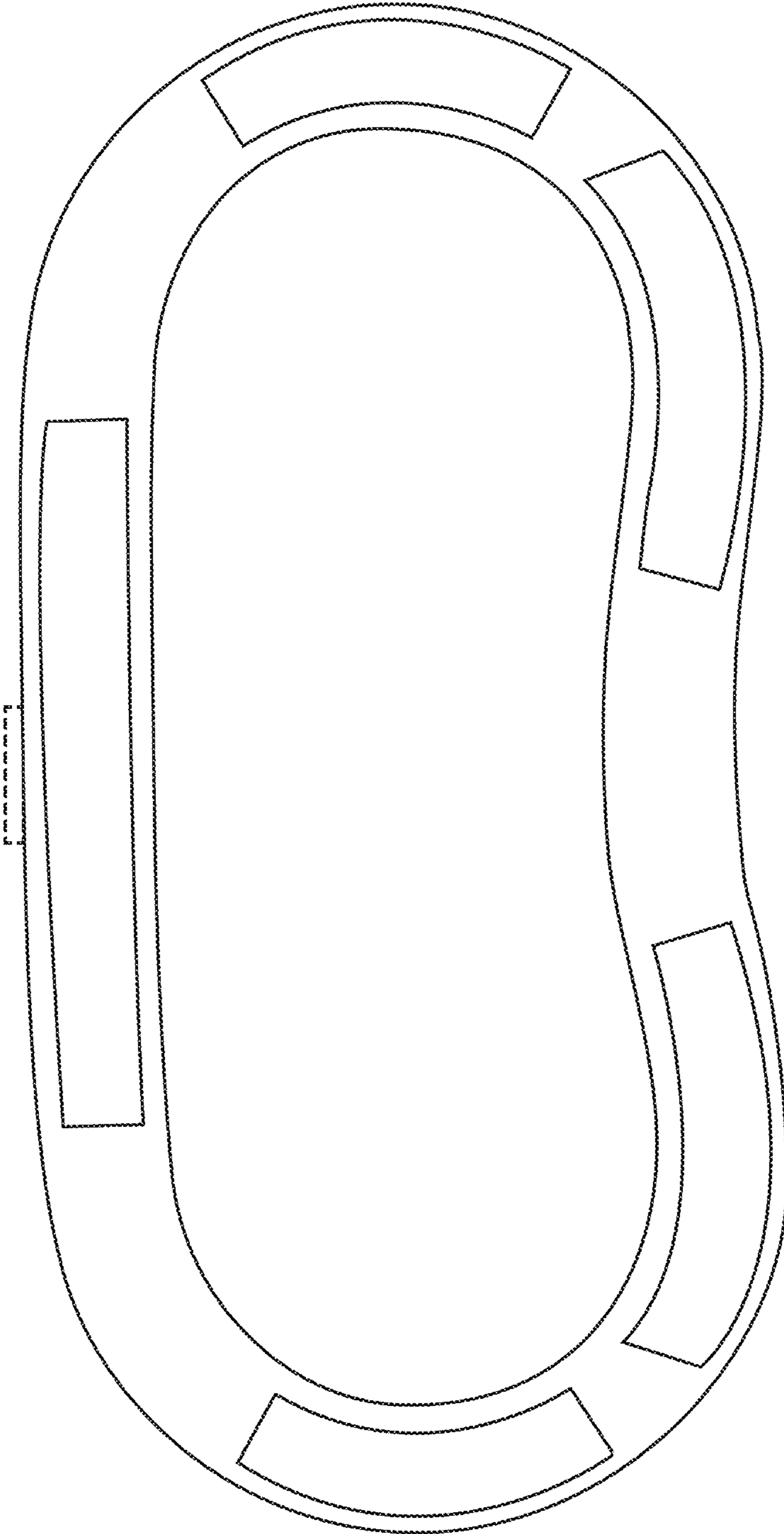


FIG. 7

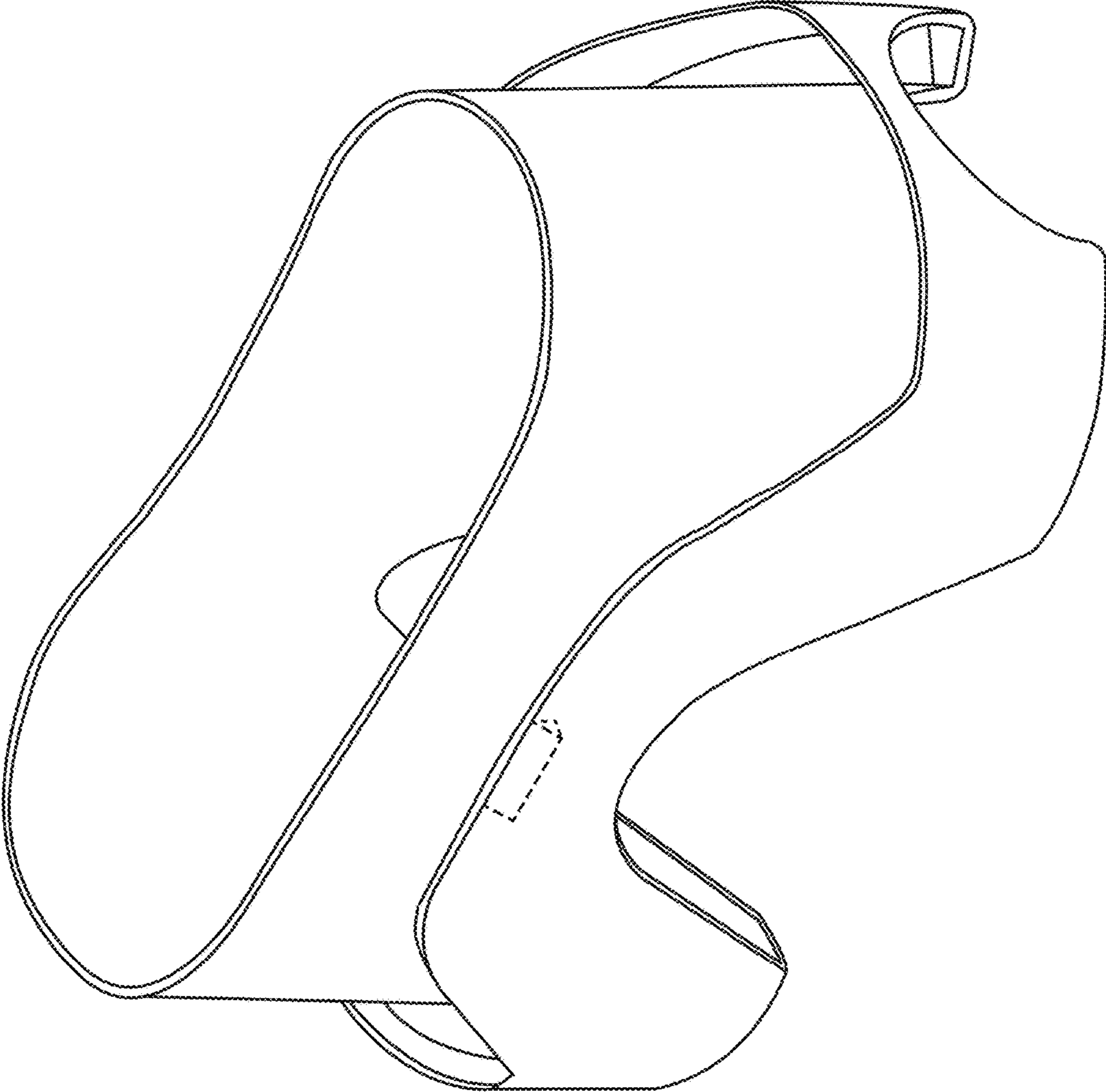


FIG. 8

