



US00D796687S

(12) **United States Design Patent** (10) **Patent No.:** **US D796,687 S**
Kuroda et al. (45) **Date of Patent:** **** Sep. 5, 2017**

(54) **BASKET**

(71) Applicant: **Becton, Dickinson and Company**,
Franklin Lakes, NJ (US)

(72) Inventors: **Melody M. H. Kuroda**, Durham, NC
(US); **Ammon David Lentz**, York, PA
(US); **Dwight Livingston**, Fallston, MD
(US); **Michael Justin Lizzi**,
Stewartstown, PA (US); **Scott N.**
Danhof, Plain City, OH (US); **Gregory**
S. Kramer, Hillard, OH (US); **Thomas**
D. Haubert, Columbus, OH (US);
Michael L. Marshall, Lewis Center,
OH (US); **James A. Prescott**,
Columbus, OH (US); **Randy J.**
Somerville, Columbus, OH (US); **M.**
Scott Ulrich, Columbus, OH (US)

(73) Assignee: **Becton, Dickinson and Company**,
Franklin Lakes, NJ (US)

(**) Term: **15 Years**

(21) Appl. No.: **29/528,570**

(22) Filed: **May 29, 2015**

Related U.S. Application Data

(63) Continuation of application No. 29/449,681, filed on
Mar. 15, 2013, now Pat. No. Des. 731,672, which is
(Continued)

(51) **LOC (10) Cl.** **24-01**

(52) **U.S. Cl.**
USPC **D24/224**

(58) **Field of Classification Search**
USPC D24/121, 216, 223, 224, 227
(Continued)

(56) **References Cited**

U.S. PATENT DOCUMENTS

D128,936 S 8/1941 Foley
D240,543 S 7/1976 Dragotta
(Continued)

FOREIGN PATENT DOCUMENTS

WO 2008014223 A2 1/2008
WO 2008116093 A2 9/2008
WO 2008154332 A1 12/2008

OTHER PUBLICATIONS

First Examination Report for India Application No. 248606 dated
Dec. 5, 2012.

(Continued)

Primary Examiner — Anhdao Doan

(74) *Attorney, Agent, or Firm* — Lerner, David,
Littenberg, Krumholz & Mentlik, LLP

(57) **CLAIM**

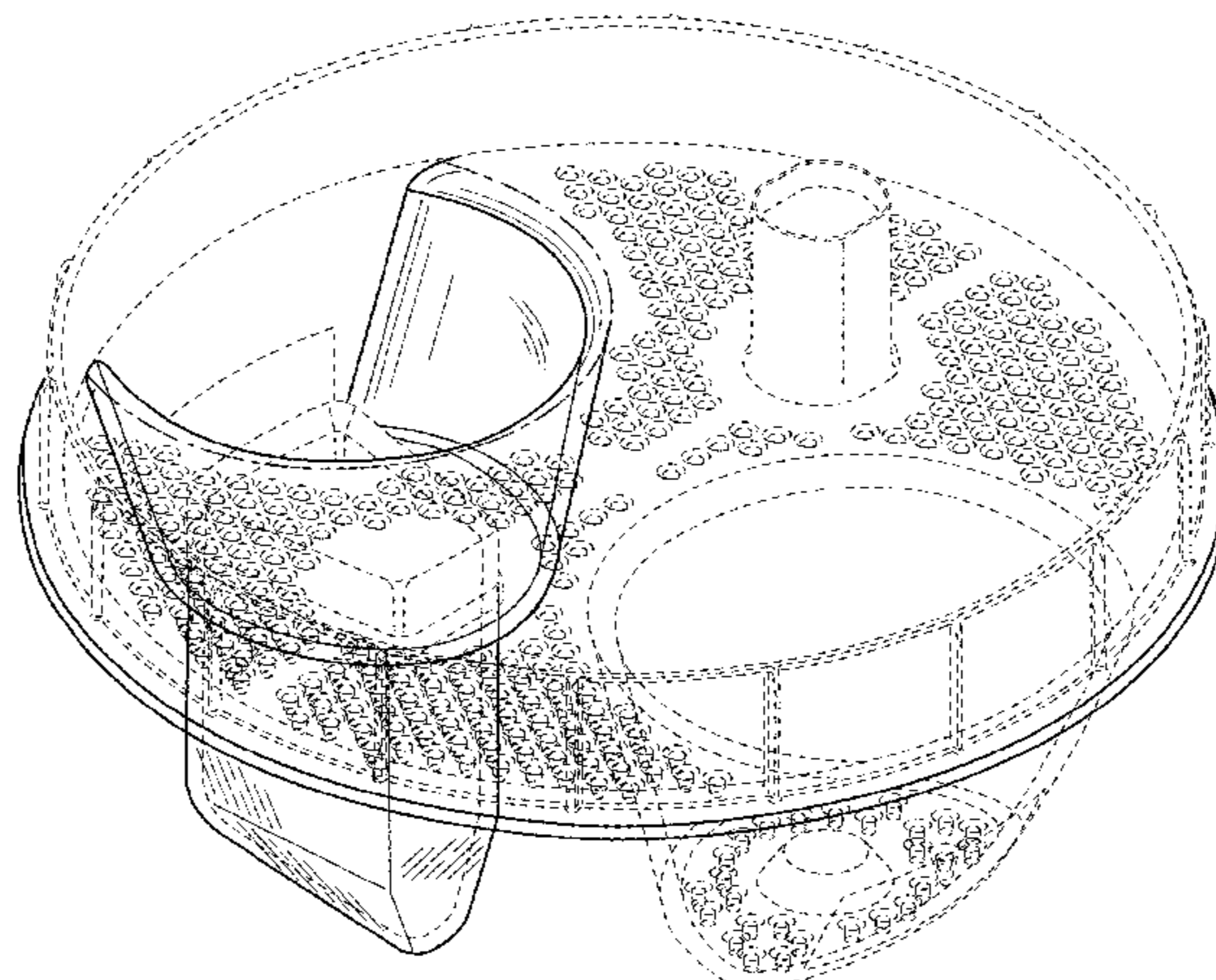
The ornamental design for a basket, as shown and described.

DESCRIPTION

FIG. 1 is a perspective view of a basket according to an
embodiment of our new design;
FIG. 2 is a front view thereof;
FIG. 3 is a right side view thereof;
FIG. 4 is a rear view thereof;
FIG. 5 is a left side view thereof;
FIG. 6 is a top view thereof; and,
FIG. 7 is a bottom view thereof.

The broken lines immediately adjacent the shaded areas
represent the bounds of the claimed design while all other

(Continued)



broken lines are directed to environment and are for illustrative purposes only; the broken lines form no part of the claimed design.

1 Claim, 7 Drawing Sheets

Related U.S. Application Data

a continuation-in-part of application No. 29/418,181, filed on Apr. 12, 2012, now Pat. No. Des. 690,826.

(58) **Field of Classification Search**

CPC B01L 2200/0647; B01L 2200/16; B01L 2300/06; B01L 2300/042; B01L 2300/0829; B01L 2300/0832; B01L 3/502; B01L 3/508; B01L 2300/0681; B01L 2300/047; B01L 2400/0457; G01N 1/42

See application file for complete search history.

(56) **References Cited**

U.S. PATENT DOCUMENTS

4,852,560 A * 8/1989 Hermann, Jr. B01L 3/508 4/144.1
 D306,266 S 2/1990 Hargrove et al.
 D319,314 S * 8/1991 Crouch D24/224
 5,312,009 A 5/1994 Ratajczak et al.
 D351,904 S 10/1994 Maze
 D359,128 S 6/1995 Kesling
 D360,698 S 7/1995 Stevens et al.
 D370,263 S 5/1996 Falkenberg et al.
 5,624,814 A 4/1997 Waters et al.
 5,976,895 A 11/1999 Cipkowski
 D424,440 S 5/2000 Wilkinson et al.
 6,149,868 A 11/2000 Natan et al.
 D435,906 S 1/2001 Wilkinson et al.
 6,254,830 B1 7/2001 Pivarnik et al.
 6,344,272 B1 2/2002 Oldenburg et al.
 6,514,767 B1 2/2003 Natan
 6,630,355 B1 10/2003 Pivarnik et al.
 6,645,777 B1 11/2003 Letcher et al.
 6,685,986 B2 2/2004 Oldenburg et al.
 6,699,724 B1 3/2004 West et al.
 D488,233 S 4/2004 Ellsworth et al.
 D494,279 S 8/2004 Cogan et al.

6,770,488 B1 8/2004 Carron et al.
 6,858,440 B1 2/2005 Letcher et al.
 6,861,263 B2 3/2005 Natan
 6,899,850 B2 5/2005 Haywood et al.
 D506,261 S 6/2005 Hellstrom
 6,913,825 B2 7/2005 Ostafin et al.
 7,002,679 B2 2/2006 Brady et al.
 D520,643 S 5/2006 Clarke et al.
 D522,145 S 5/2006 Best et al.
 7,192,778 B2 3/2007 Natan
 D544,610 S * 6/2007 Ouchi D24/224
 D574,507 S * 8/2008 Muir D24/224
 7,497,340 B2 3/2009 Hershberger et al.
 7,723,100 B2 5/2010 Natan et al.
 D624,194 S 9/2010 Pack et al.
 D641,866 S 7/2011 Burgess et al.
 D642,282 S 7/2011 Bargh
 D644,323 S * 8/2011 Burgess D24/121
 D651,322 S 12/2011 Svard
 8,163,253 B1 4/2012 Hartselle
 D666,736 S 9/2012 Kobayashi
 D683,044 S 5/2013 Klein et al.
 D694,404 S * 11/2013 Burgess D24/121
 2003/0017620 A1 1/2003 Carron et al.
 2003/0053938 A1 * 3/2003 Szeles A61B 10/007 422/400
 2005/0271550 A1 * 12/2005 Talmer B01L 3/5082 422/400
 2006/0038979 A1 2/2006 Natan et al.
 2008/0293156 A1 11/2008 Smith
 2008/0305489 A1 12/2008 Thomas et al.
 2009/0136384 A1 * 5/2009 Bucher B01L 3/502 422/400
 2009/0298197 A1 12/2009 Natan et al.
 2011/0207231 A1 8/2011 Natan et al.
 2012/0058553 A1 3/2012 Haywood et al.

OTHER PUBLICATIONS

First Examination Report for India Application No. 248607 dated Dec. 5, 2012.
 First Examination Report for India Application No. 248608 dated Dec. 5, 2012.
 Office Action for Australian Application No. 15077/12 dated Oct. 25, 2012.
 Office Action for Canadian Application No. 147907 dated May 30, 2013.
 Office Action for U.S. Appl. No. 29/462,385 dated Jul. 31, 2014.

* cited by examiner

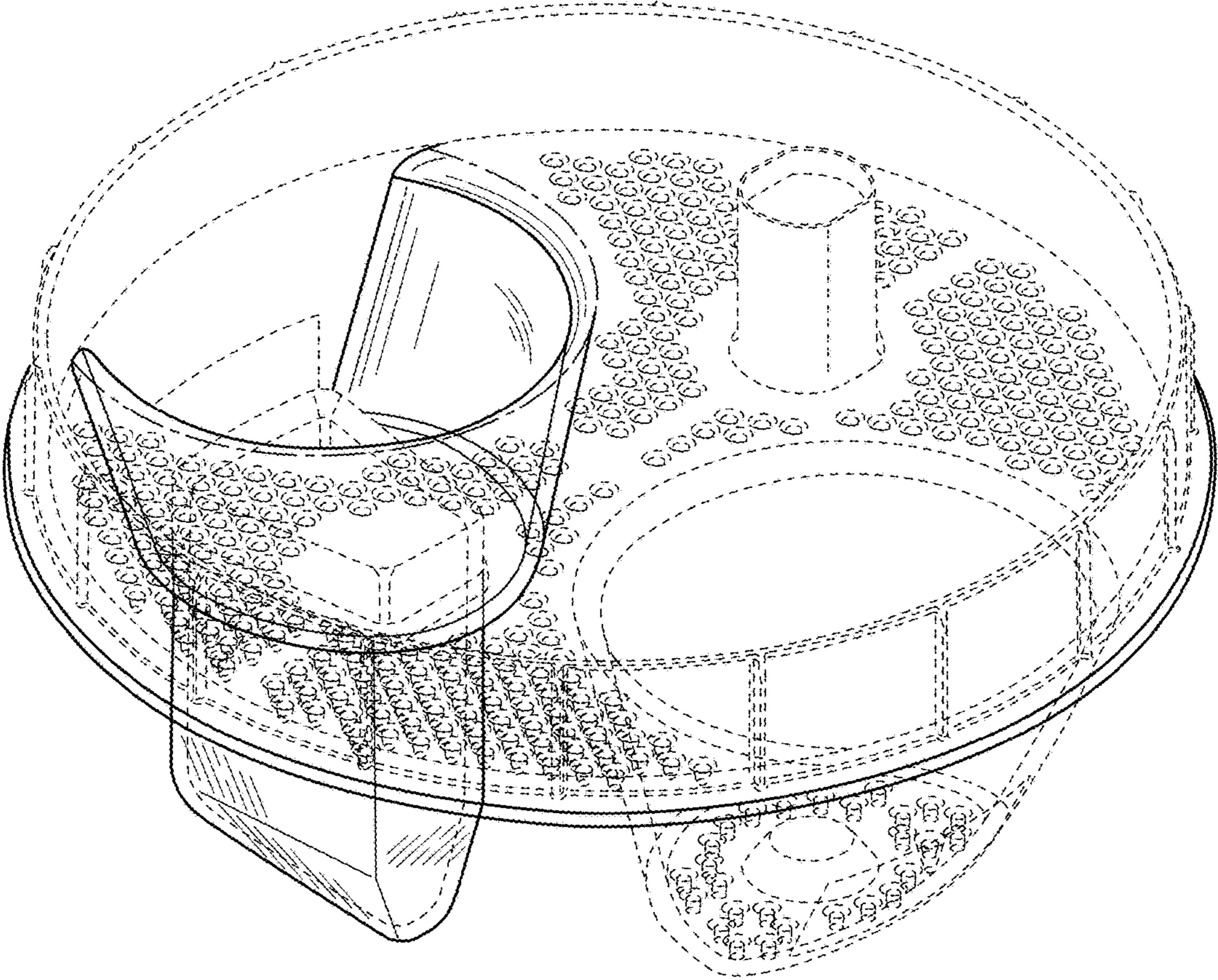


FIG. 1

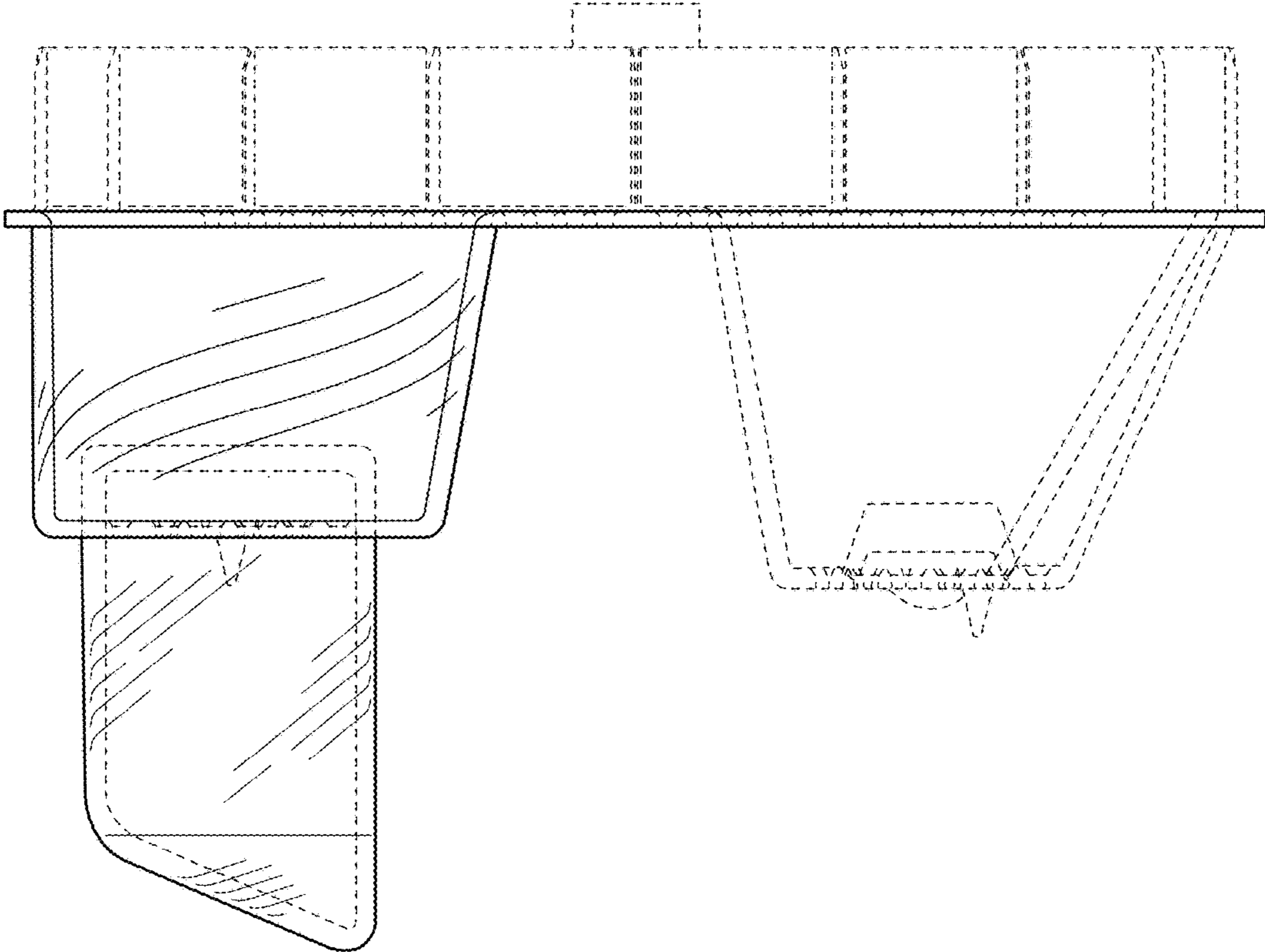


FIG. 2

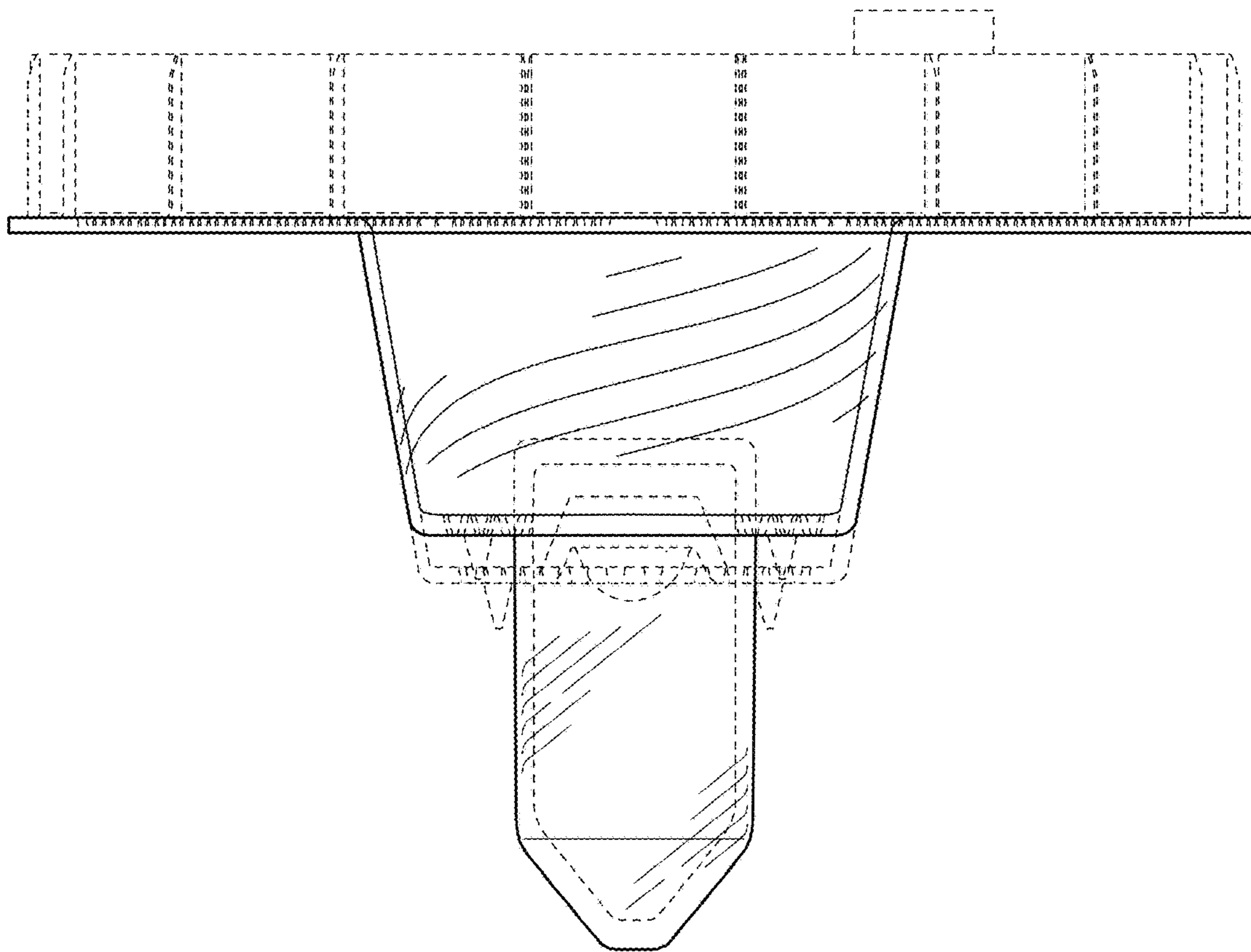


FIG. 3

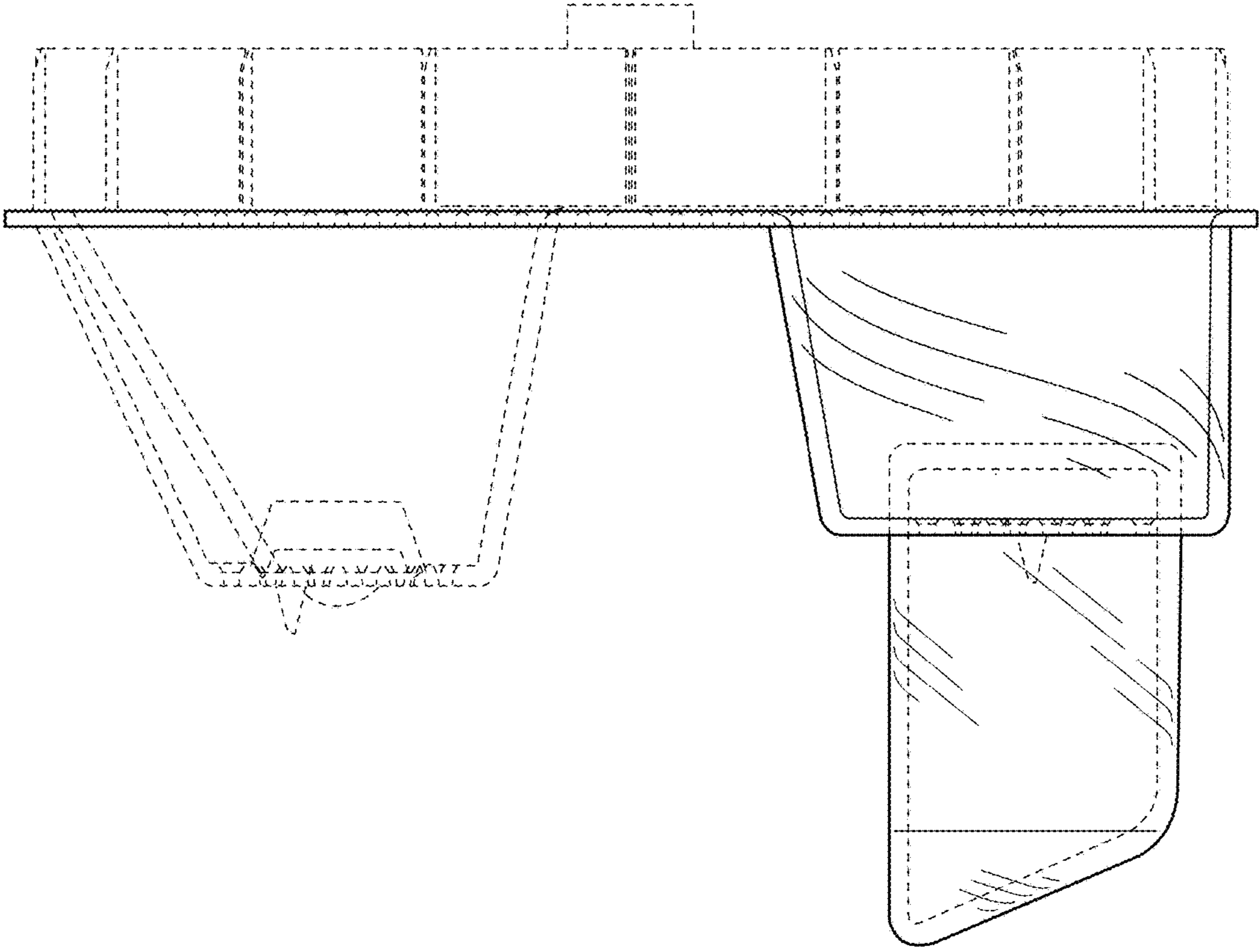


FIG. 4

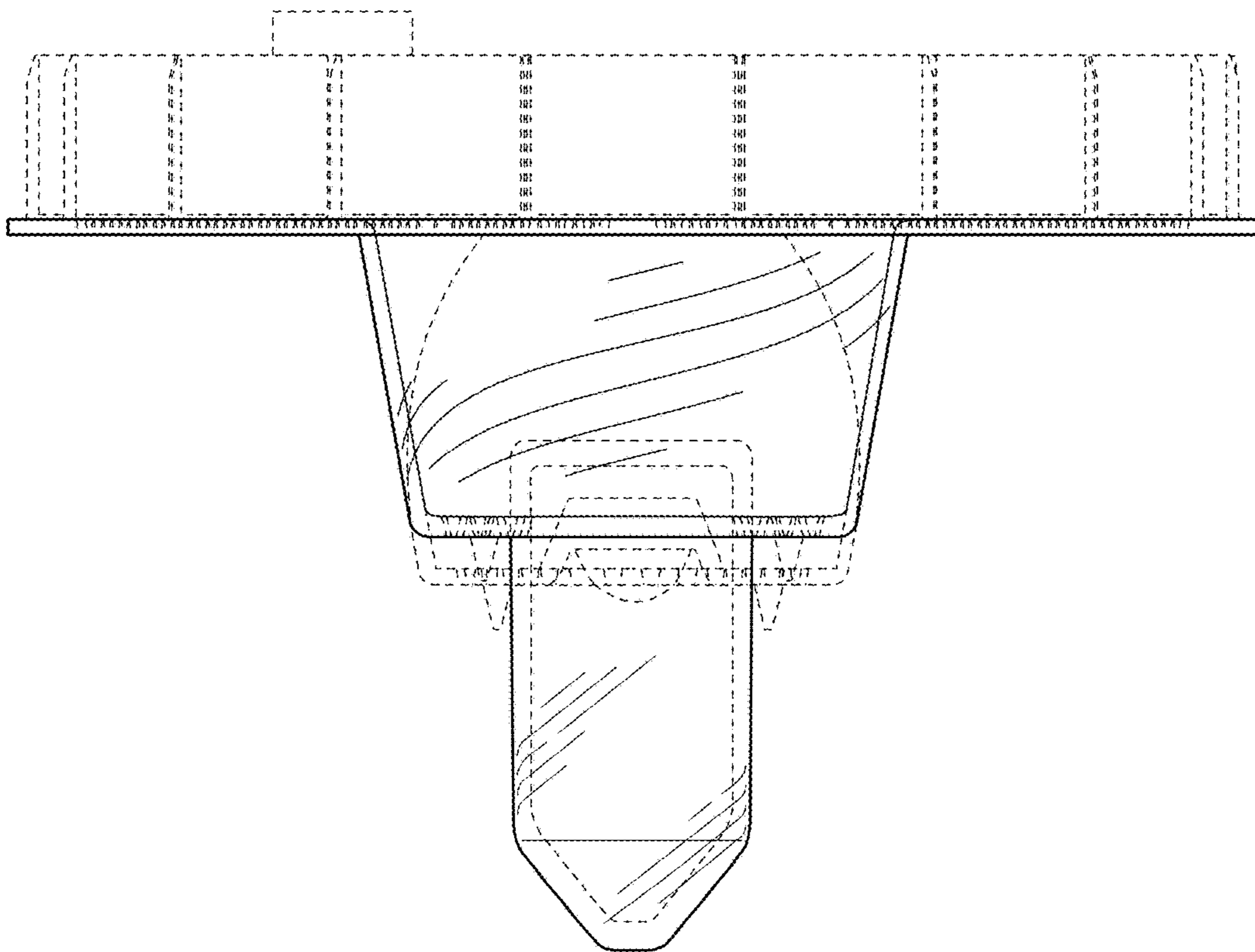


FIG. 5

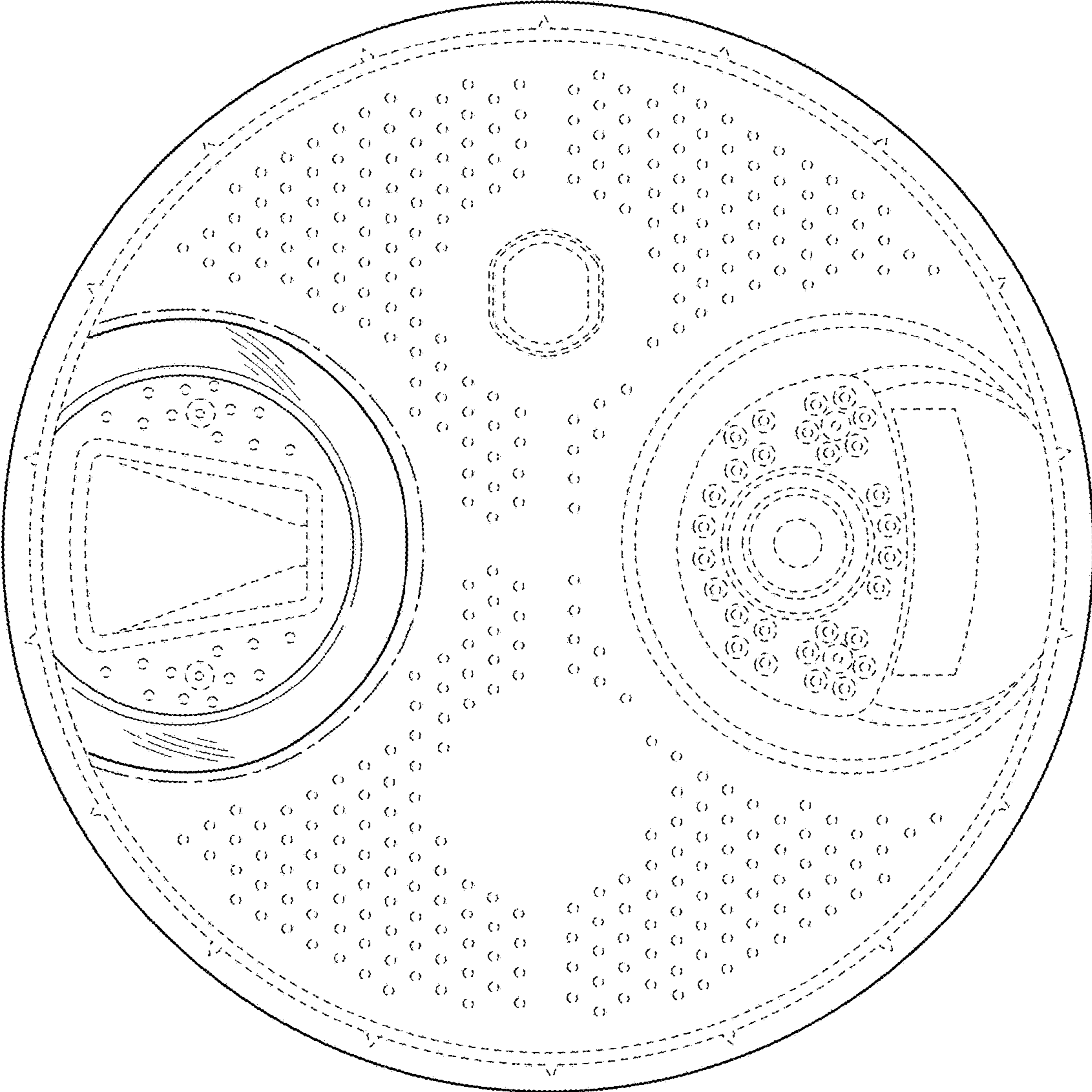


FIG. 6

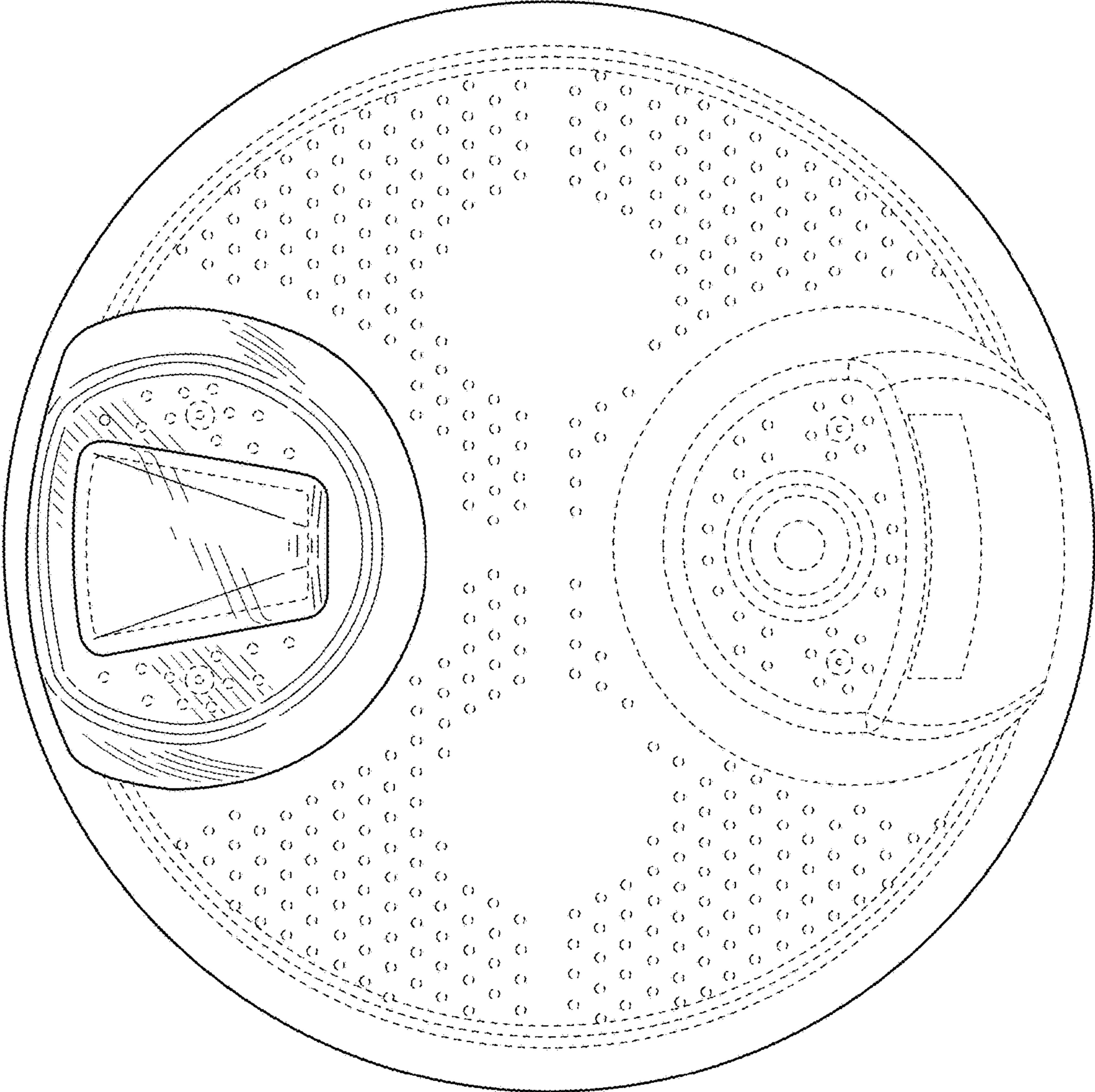


FIG. 7