



US00D796686S

(12) **United States Design Patent**
Internicola

(10) **Patent No.:** **US D796,686 S**

(45) **Date of Patent:** **** *Sep. 5, 2017**

(54) **EAR MAGNETIC CLIP FOR EAR
ACUPRESSURE AND AURICULAR
THERAPY APPLICATION**

(71) Applicant: **Paolo Internicola**, Leesburg, VA (US)

(72) Inventor: **Paolo Internicola**, Leesburg, VA (US)

(73) Assignee: **Paolo Internicola**, Leesburg, VA (US)

(*) Notice: This patent is subject to a terminal disclaimer.

(**) Term: **15 Years**

(21) Appl. No.: **29/545,917**

(22) Filed: **Nov. 17, 2015**

(51) **LOC (10) Cl.** **24-02**

(52) **U.S. Cl.**
USPC **D24/200**

(58) **Field of Classification Search**
USPC D24/200, 106, 143, 184; D8/349, 394
CPC A61H 39/00; A61H 39/04; A61H 39/08;
A61H 2205/00; A61H 2205/027; A44C
7/004; A44C 7/005; A61B 17/122; A61B
17/1325; A61N 1/36032
See application file for complete search history.

(56) **References Cited**

U.S. PATENT DOCUMENTS

5,094,227	A *	3/1992	Eglauf	A61H 39/04 601/135
5,366,475	A *	11/1994	Voss	A61H 39/04 606/204
5,584,854	A *	12/1996	Minarik	A61H 39/04 606/201
5,662,679	A *	9/1997	Voss	A61H 39/04 606/151
5,709,647	A *	1/1998	Ferber	A61H 39/04 601/134
D546,464	S *	7/2007	Savoia	D24/200

D616,559	S *	5/2010	Boyer	D24/106
D623,306	S *	9/2010	Boyer	D24/106
D670,396	S *	11/2012	Doogan	D24/200
D742,535	S *	11/2015	Wu	D24/215
2007/0093867	A1 *	4/2007	Savoia	A61H 39/04 606/204
2010/0145136	A1 *	6/2010	Kirsch	A61H 2205/027 600/26

* cited by examiner

Primary Examiner — Wan Laymon

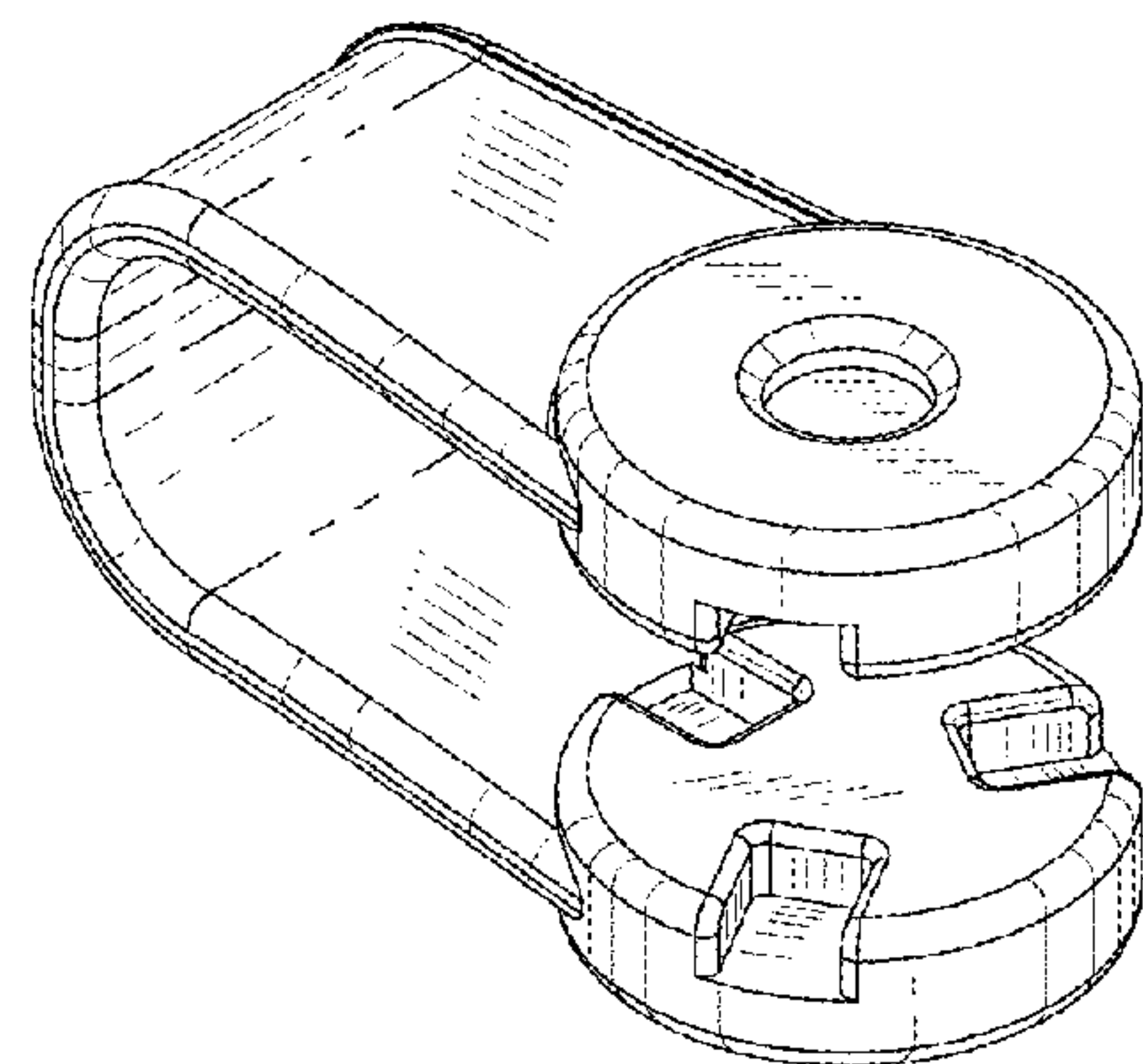
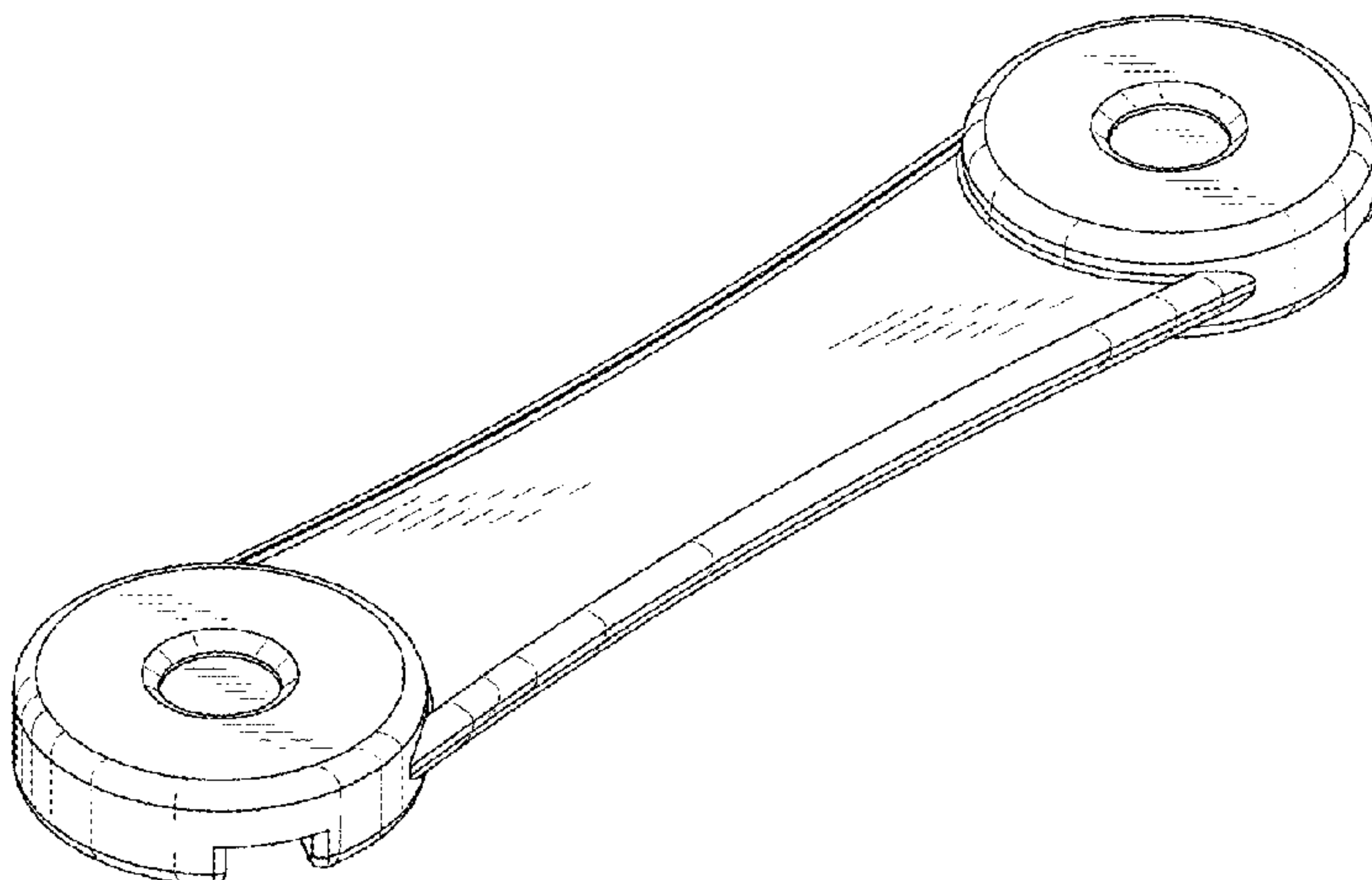
(57) **CLAIM**

The ornamental design for the ear magnetic clip for ear acupressure and auricular therapy application, as shown and described.

DESCRIPTION

FIG. 1 is a front view of the ear magnetic clip for ear acupressure and auricular therapy application; FIG. 2 is a rear view thereof; FIG. 3 is a left-side view thereof; FIG. 4 is a right-side view thereof; FIG. 5 is a top plan view thereof; FIG. 6 is a bottom plan view thereof; FIG. 7 is an isometric perspective view thereof; FIG. 8 is a perspective view thereof. In this view the ear magnetic clip for ear acupressure and auricular therapy application is in a bent configuration. FIG. 9 is a perspective view thereof. In this view the ear magnetic clip for ear acupressure and auricular therapy application is in a bent configuration; and, FIG. 10 is a perspective view indicating the preferred method of use of the FIG. 8 is a perspective view thereof. In this view the ear magnetic clip for ear acupressure and auricular therapy application is in a bent configuration. The broken line showing an ear is included for the purpose of illustrating environmental structure and forms no part of the claimed design.

1 Claim, 10 Drawing Sheets



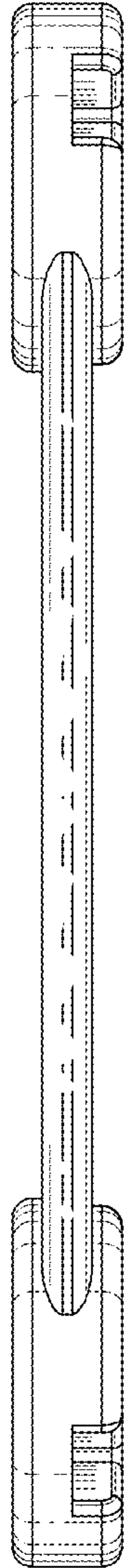


FIG. 1

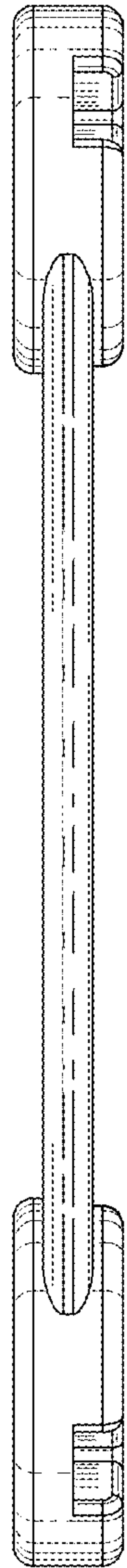


FIG. 2



FIG. 3

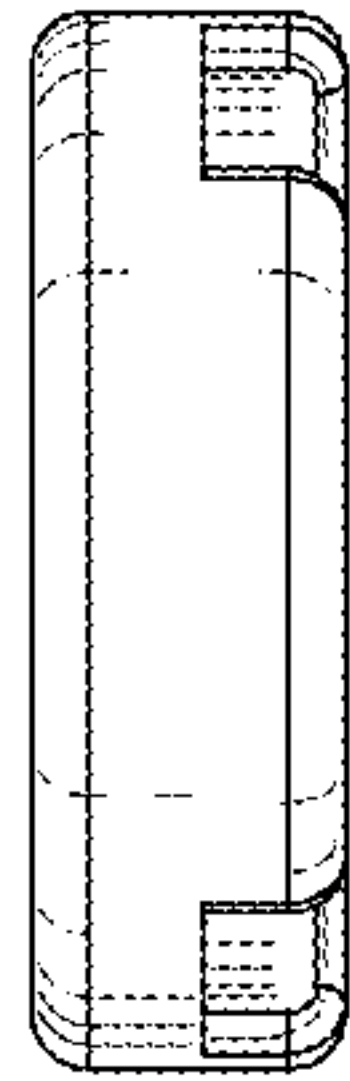


FIG. 4

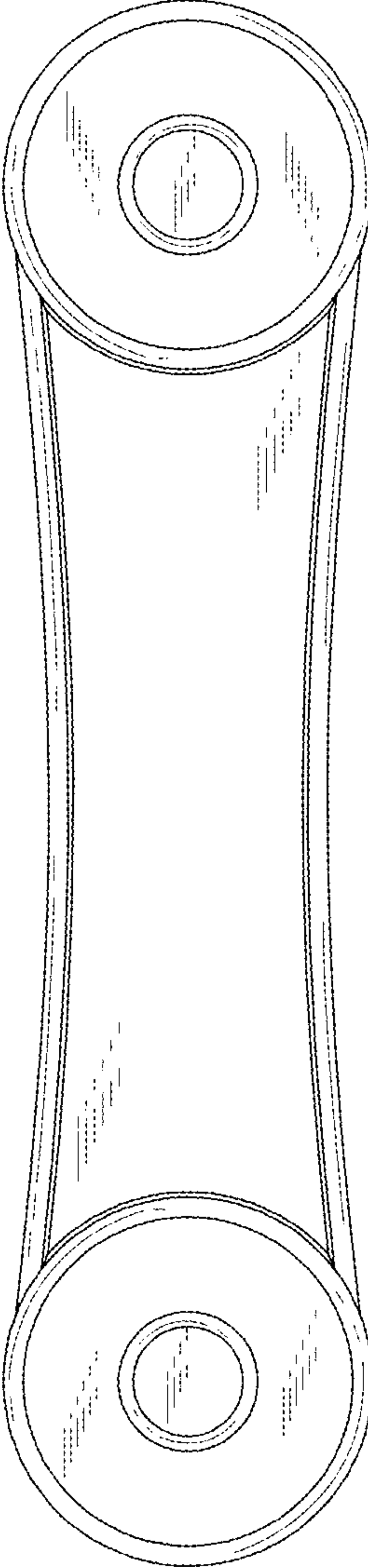


FIG. 5

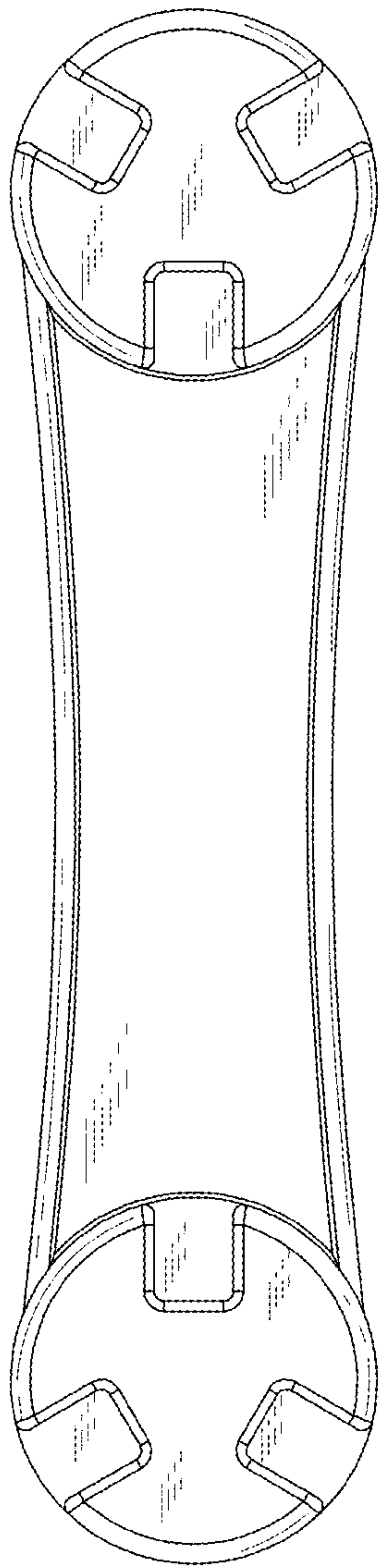


FIG. 6

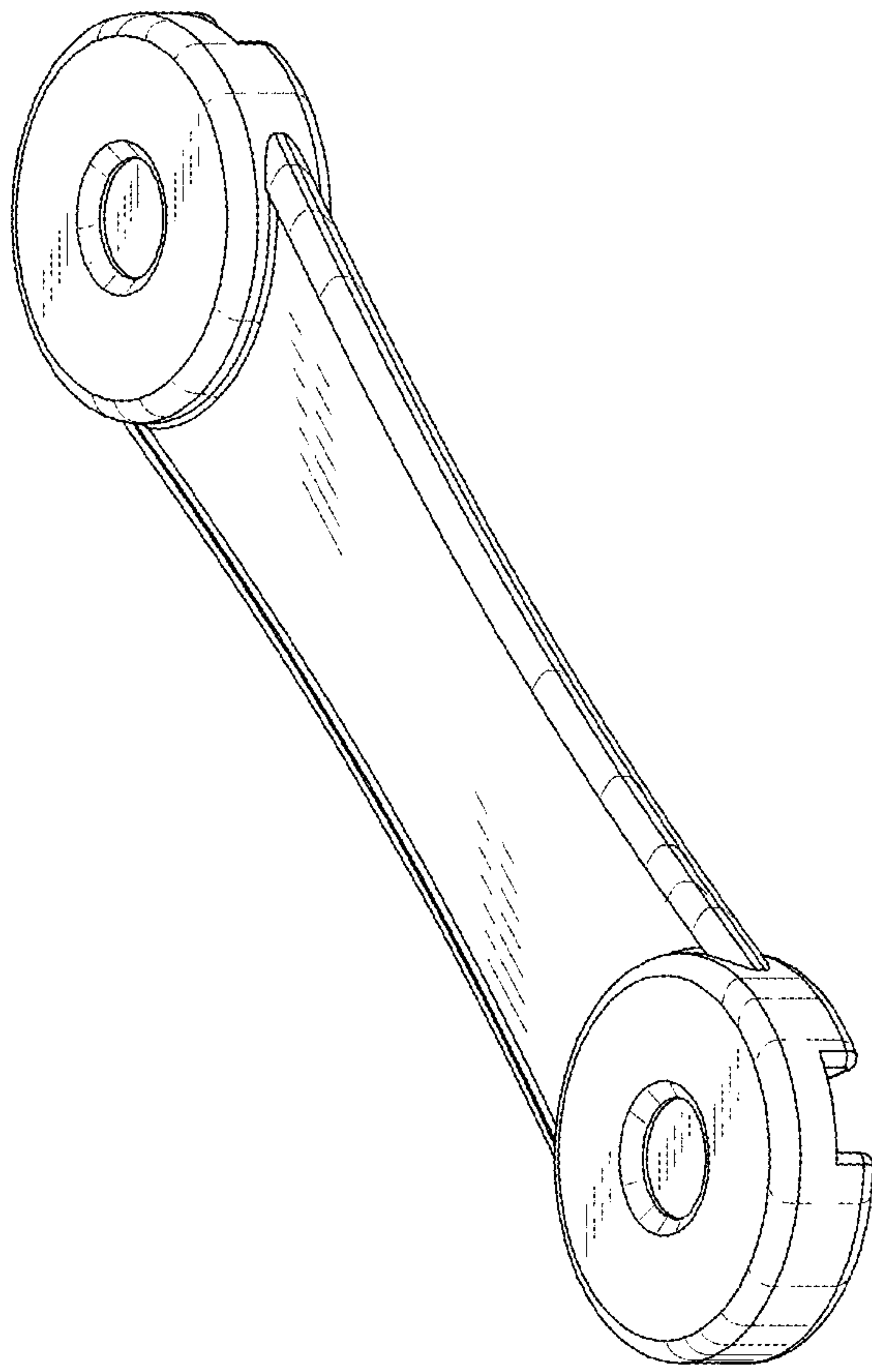


FIG. 7

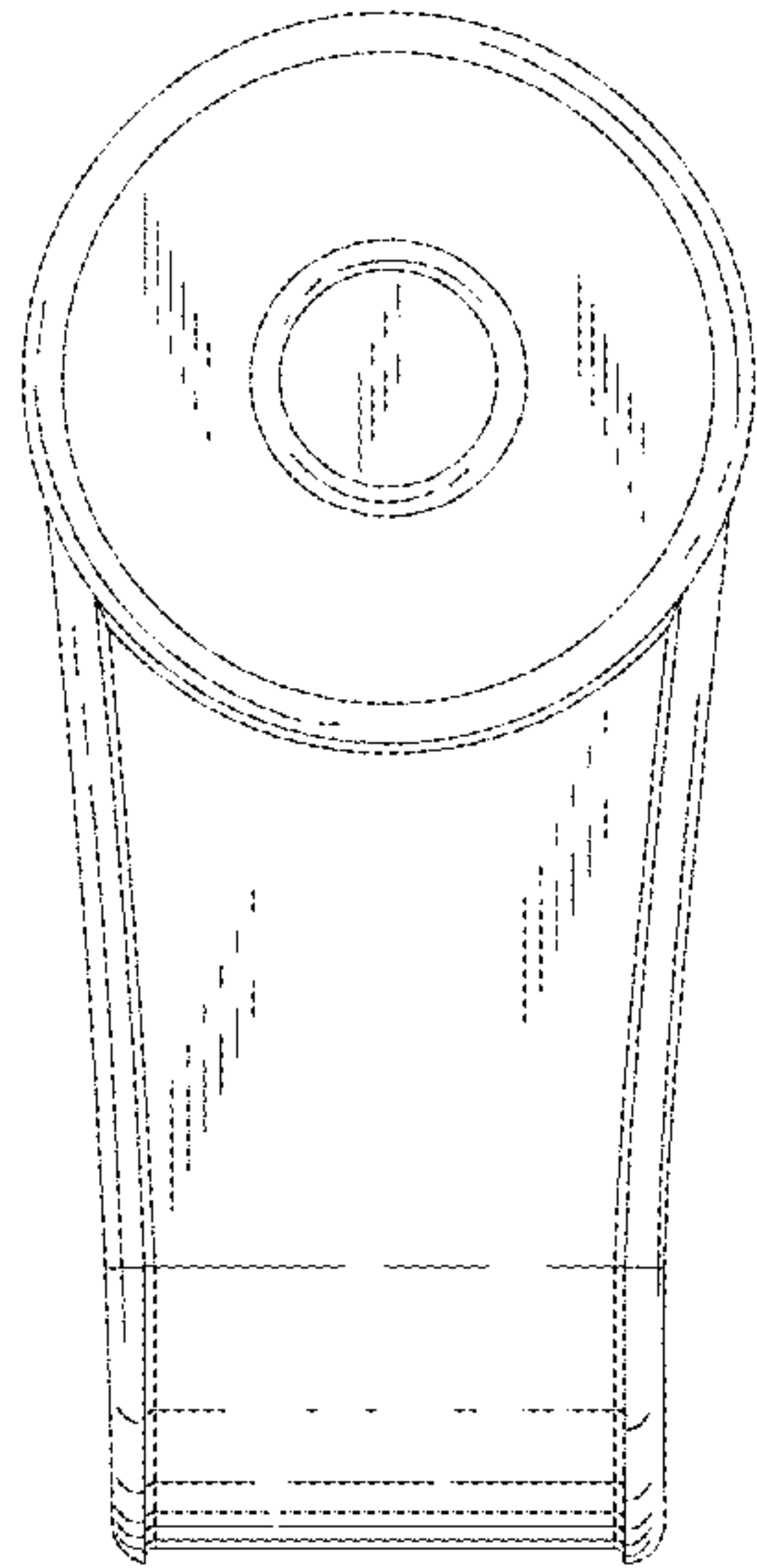


FIG. 8

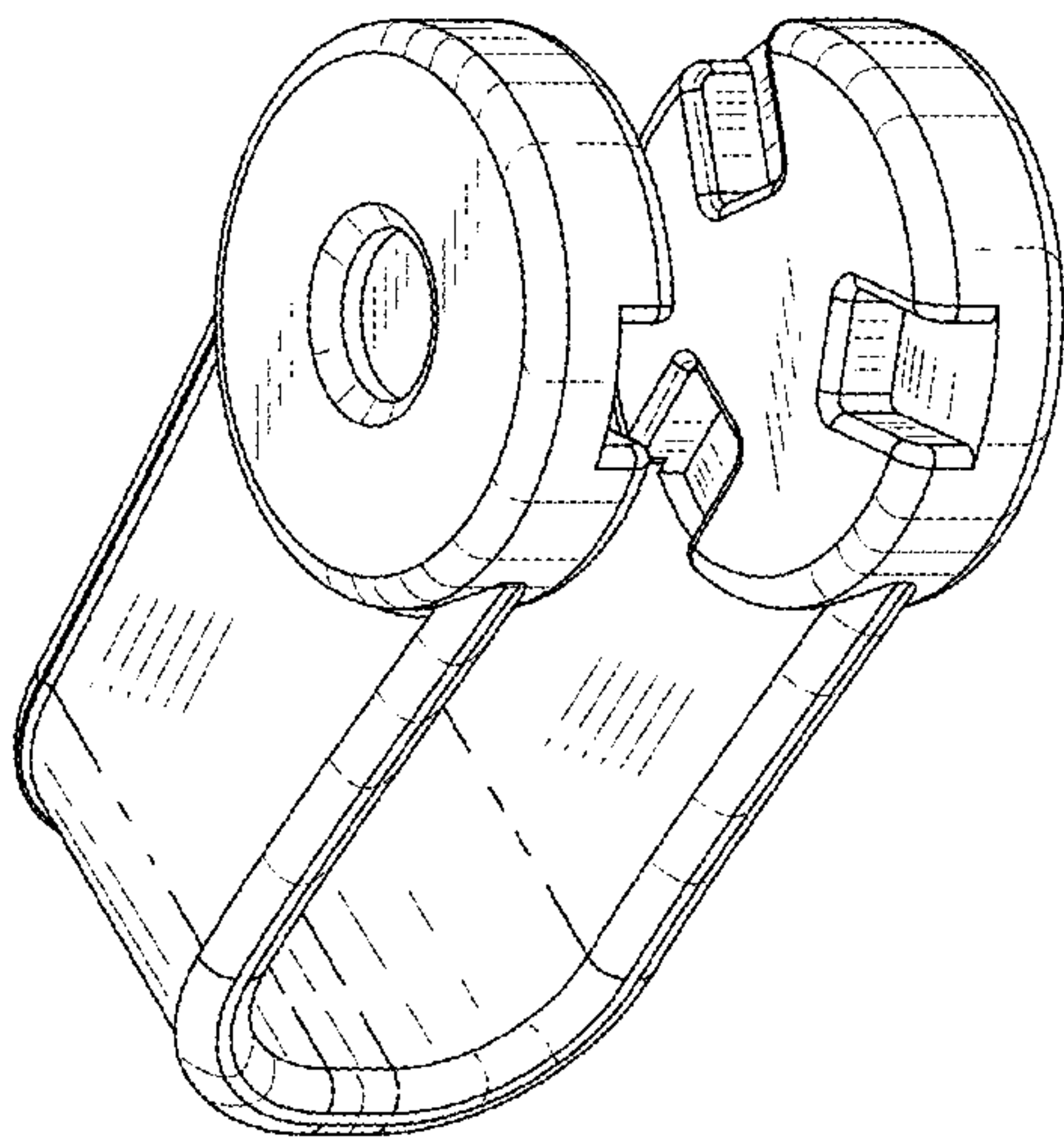


FIG. 9

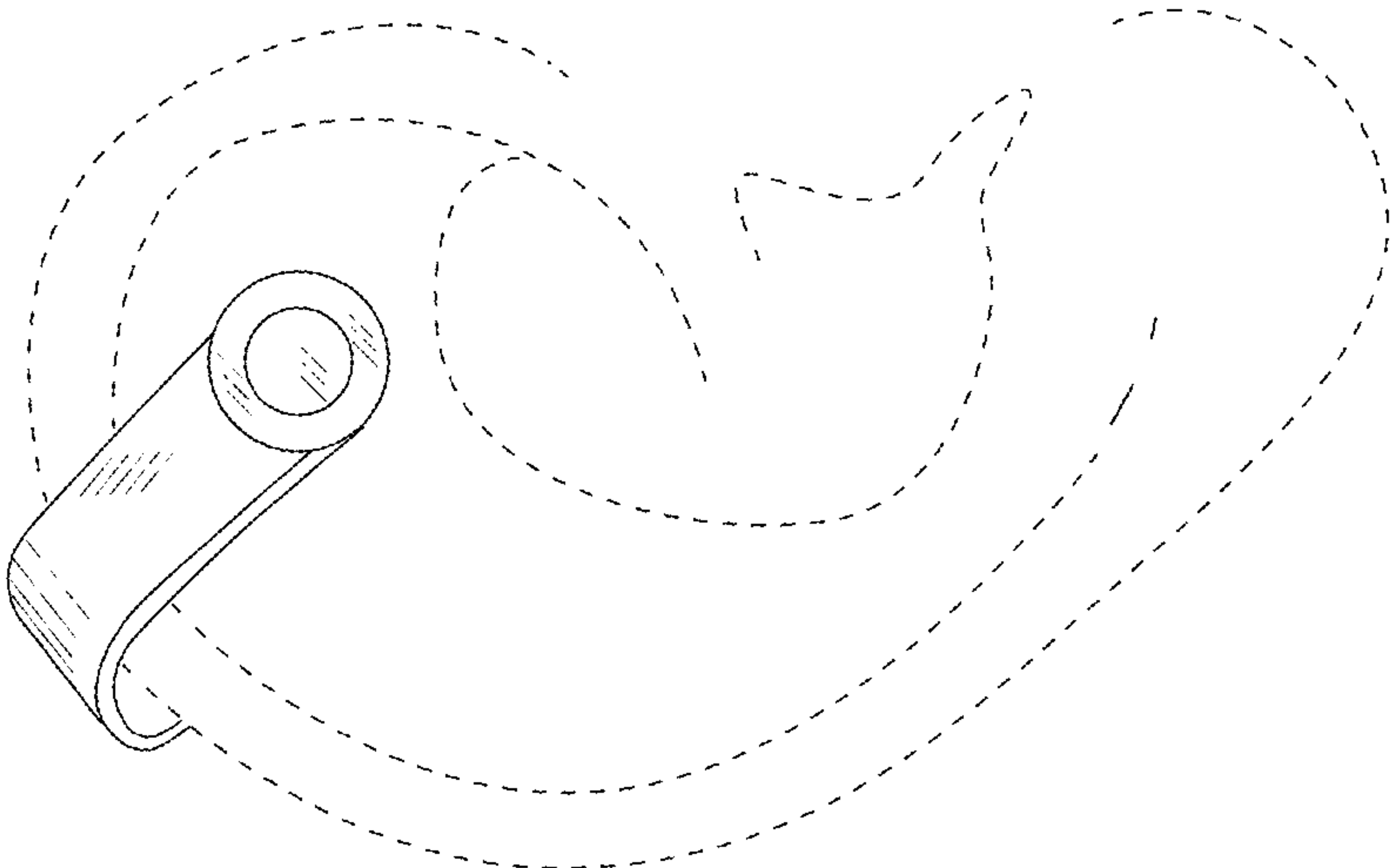


FIG. 10