



US00D796681S

(12) **United States Design Patent**
Seval et al.

(10) **Patent No.:** **US D796,681 S**
(45) **Date of Patent:** **** Sep. 5, 2017**

(54) **ELECTRODE**

13/218; G01G 19/44; G01G 19/50; G01G 21/28; G01G 21/3735; G01G 23/01

See application file for complete search history.

(71) Applicant: **IMPETO MEDICAL**, Paris (FR)

(72) Inventors: **Mathieu Seval**, Les Clayes Sous Bois (FR); **Nicolas Bocquet**, Chatillon (FR)

(56) **References Cited**

U.S. PATENT DOCUMENTS

(73) Assignee: **Impeto Medical**, Paris (FR)

(**) Term: **15 Years**

(21) Appl. No.: **29/563,266**

(22) Filed: **May 3, 2016**

4,033,329	A *	7/1977	Gregory	A61B 5/1036 600/594
5,080,109	A *	1/1992	Arme, Jr.	A61B 5/742 33/515
D328,132	S *	7/1992	Beardall	D24/186
5,381,805	A *	1/1995	Tuckett	A61B 5/4824 600/552
6,280,396	B1 *	8/2001	Clark	A61B 5/0537 600/547
6,387,061	B1 *	5/2002	Nitto	A61B 5/1036 600/587
6,516,221	B1 *	2/2003	Hirouchi	A61B 5/0537 600/547

(30) **Foreign Application Priority Data**

Nov. 3, 2015 (EM) 002846410-0001

Nov. 3, 2015 (EM) 002846410-0002

(51) **LOC (10) Cl.** **24-01**

(52) **U.S. Cl.**

USPC **D24/184**

(58) **Field of Classification Search**

USPC D24/186, 187; D21/133; 177/25.13, 50, 177/201, 245; 33/515; 600/301, 346, 600/372, 382, 384, 483, 504, 509, 547, 600/552, 554, 555, 557, 587, 594, 595; 607/67; 73/1.13, 65.01

CPC A61B 19/081; A61B 46/10; A61B 46/40; A61B 5/053; A61B 5/0051; A61B 5/0537; A61B 5/02007; A61B 5/02125; A61B 5/0245; A61B 5/0402; A61B 5/1036; A61B 5/1102; A61B 5/4035; A61B 5/4041; A61B 5/4824; A61B 5/4827; A61B 5/483; A61B 5/486; A61B 5/4869; A61B 5/4872; A61B 5/6826; A61B 5/6828; A61B 5/6829; A61B 5/6838; A61B 5/6887; A61B 5/742; A63F

(Continued)

Primary Examiner — Ian Simmons

Assistant Examiner — Mark Cavanna

(74) *Attorney, Agent, or Firm* — Sheridan Ross P.C.

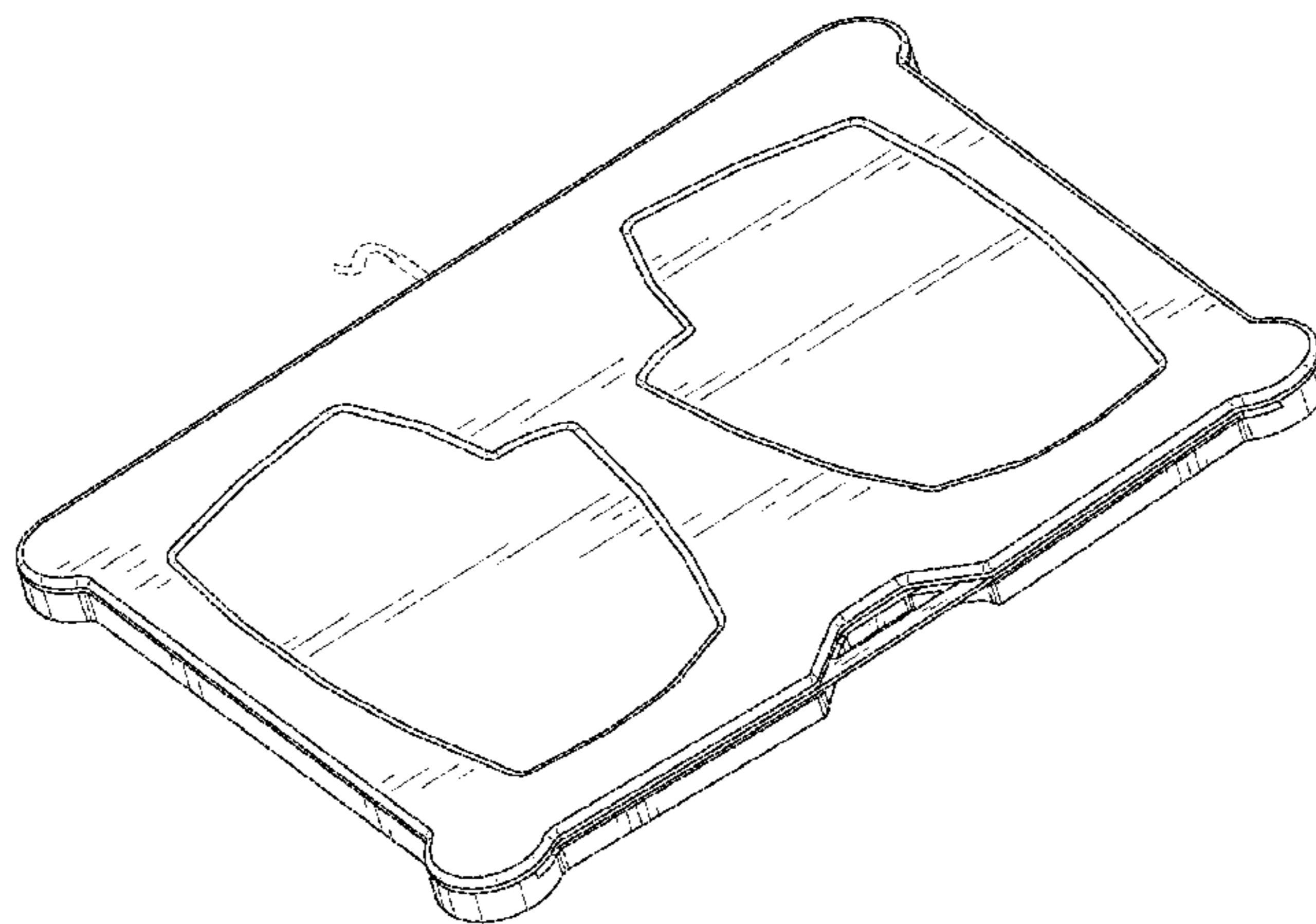
(57) **CLAIM**

The ornamental design for an electrode, as shown and described.

DESCRIPTION

FIG. 1 is a perspective view of an electrode showing the new design;
FIG. 2 is a front elevation view thereof;
FIG. 3 is a rear view thereof;
FIG. 4 is a top plan view thereof;
FIG. 5 is a bottom plan view thereof;
FIG. 6 is a right elevation view thereof;
FIG. 7 is a left elevation view thereof; and,
FIG. 8 is a perspective view of the electrode in a second position of use wherein an interior portion is shown in a second position of use, the rear surfaces of the interior portion are comprised of unclaimed subject matter.

(Continued)



The broken lines constitute environment and, thus, unclaimed subject matter.

1 Claim, 6 Drawing Sheets

(56)

References Cited

U.S. PATENT DOCUMENTS

6,643,542	B1 *	11/2003	Kawanishi	A61B 5/4869 600/547
6,850,798	B2 *	2/2005	Morgan	A61B 5/0537 600/372
7,125,386	B2 *	10/2006	Kasahara	A61B 5/4872 600/595
8,387,437	B2 *	3/2013	Yamazaki	G01G 23/01 73/1.13
8,498,687	B2 *	7/2013	Karo	A61B 5/4872 600/382
8,515,551	B2 *	8/2013	Rhodes	A61B 5/4035 607/67
8,725,229	B2 *	5/2014	Furue	A61B 46/10 600/384
D709,205	S *	7/2014	Ehninger	D24/187
8,934,954	B2 *	1/2015	Brunswick	A61B 5/0051 600/554

D736,935	S *	8/2015	Just	D24/187
9,173,568	B2 *	11/2015	Gefen	A61B 5/0051
9,480,918	B2 *	11/2016	Hayashi	A63F 13/218
9,498,137	B2 *	11/2016	Baker	A61B 5/6887
2008/0009756	A1 *	1/2008	Keren	A61B 5/02125 600/504
2009/0018464	A1 *	1/2009	Watanabe	A61B 5/4869 600/547
2011/0213268	A1 *	9/2011	Kosaka	G01G 19/50 600/547
2011/0240379	A1 *	10/2011	Forshaw	G01G 19/44 177/25.13
2013/0032413	A1 *	2/2013	Smith	177/201
2013/0102870	A1 *	4/2013	Murakawa	A61B 5/0537 600/384
2013/0131463	A1 *	5/2013	Date	G01G 19/50 600/301
2014/0058215	A1 *	2/2014	Hatakeyama	G01G 19/44 600/301
2015/0112209	A1 *	4/2015	Blaber	A61B 5/0245 600/483
2015/0338265	A1 *	11/2015	Carreel	G01G 19/50 177/245
2016/0038038	A1 *	2/2016	Kovacs	A61B 5/1102 600/301
2016/0256686	A1 *	9/2016	Moon	A61B 5/053

* cited by examiner

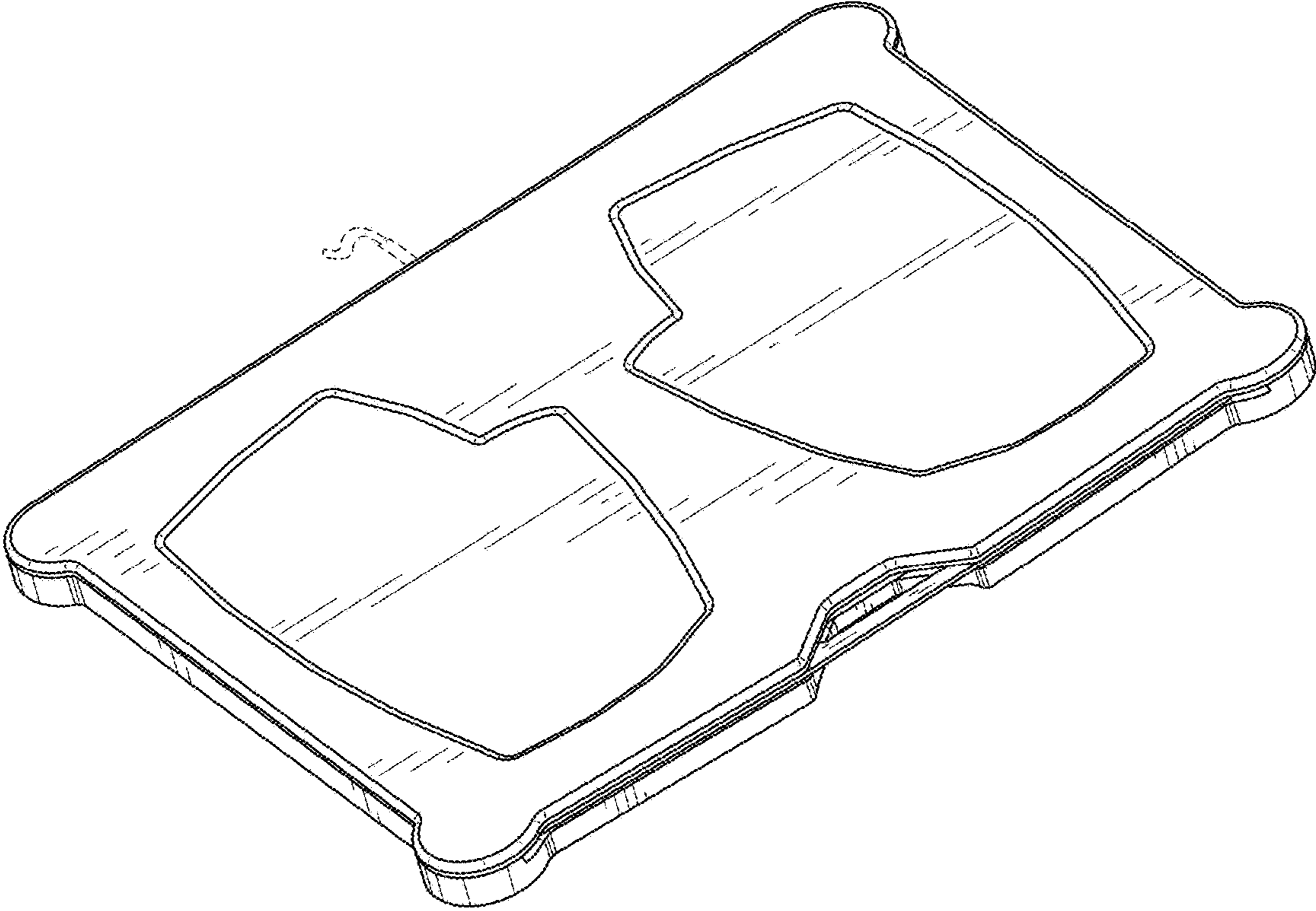


FIG.1

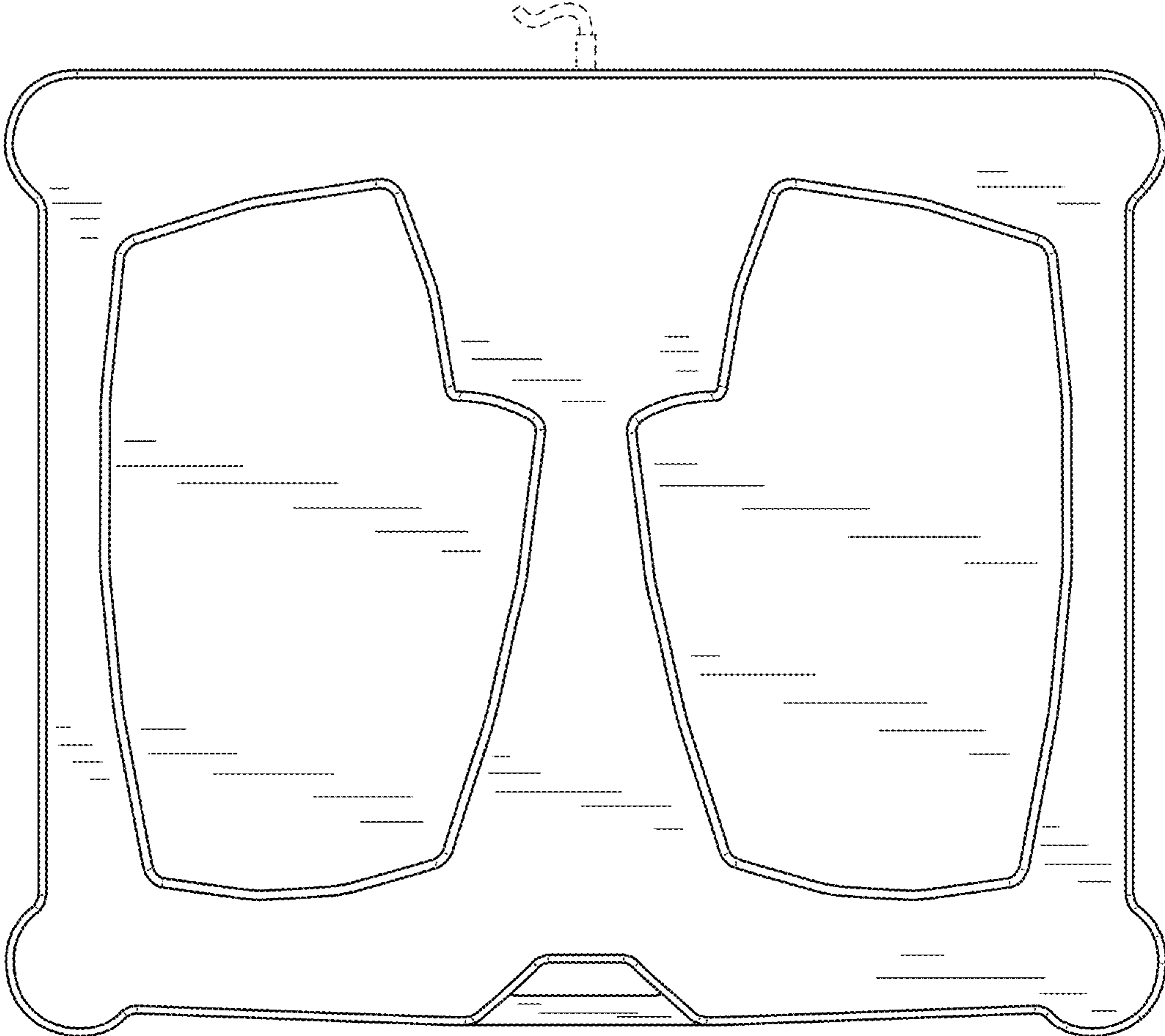


FIG.2

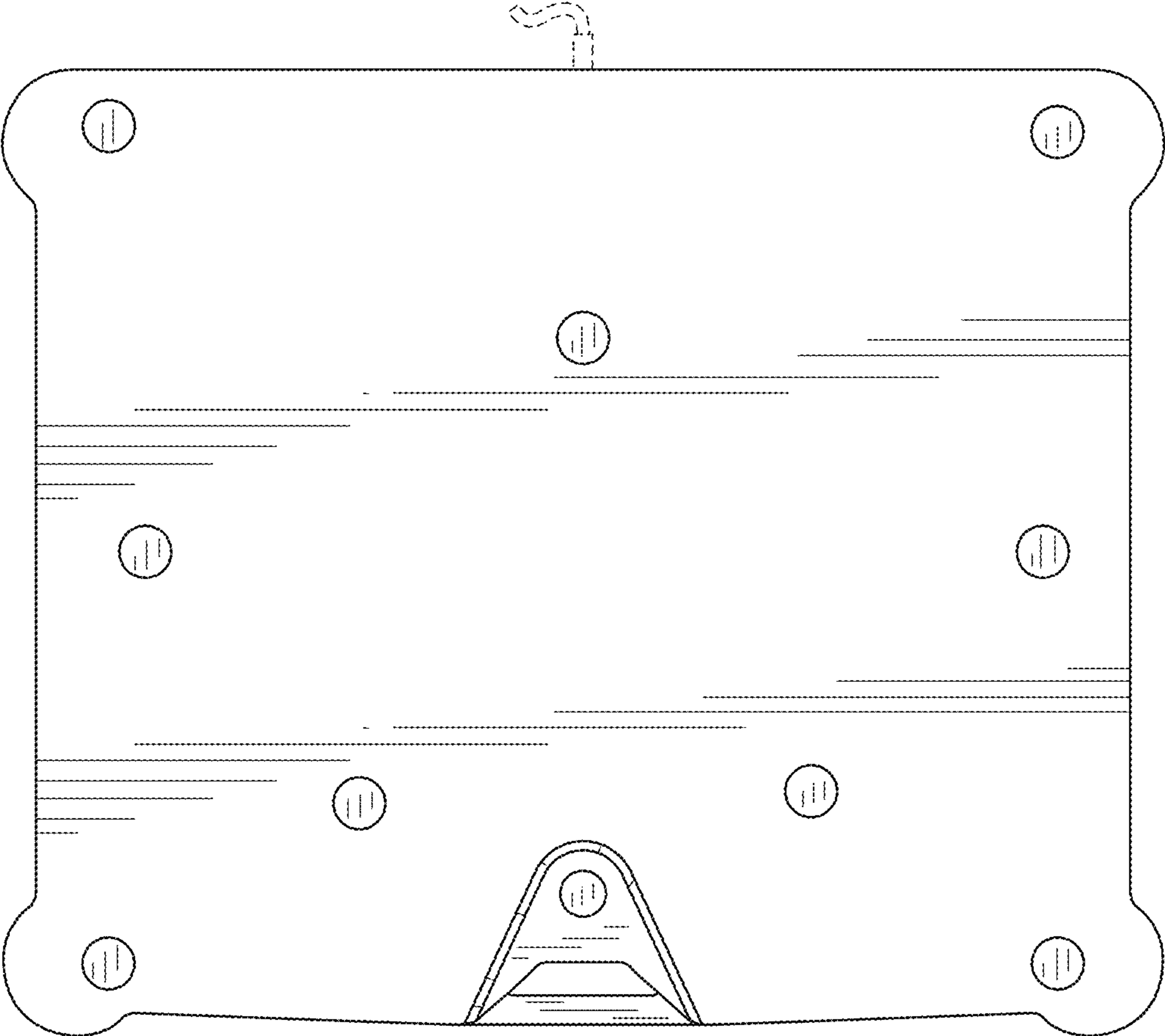


FIG.3

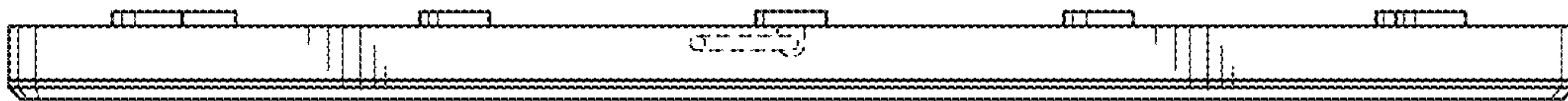


FIG. 4

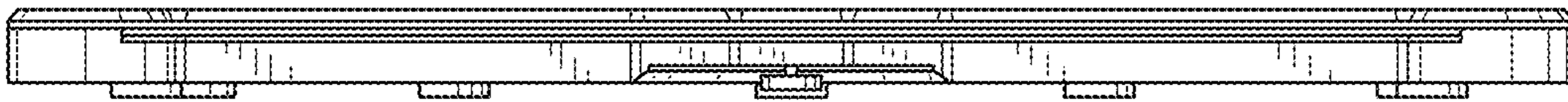


FIG. 5

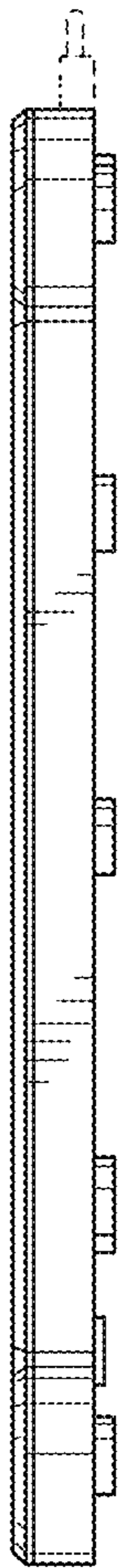


FIG. 6

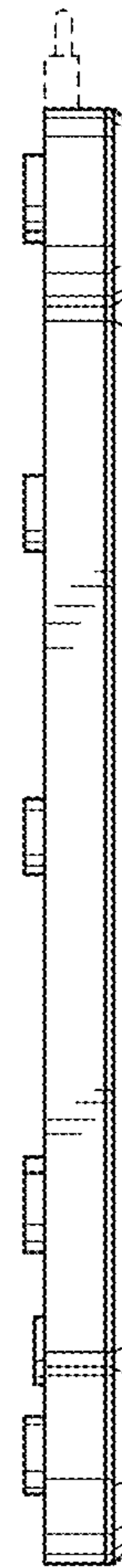


FIG. 7

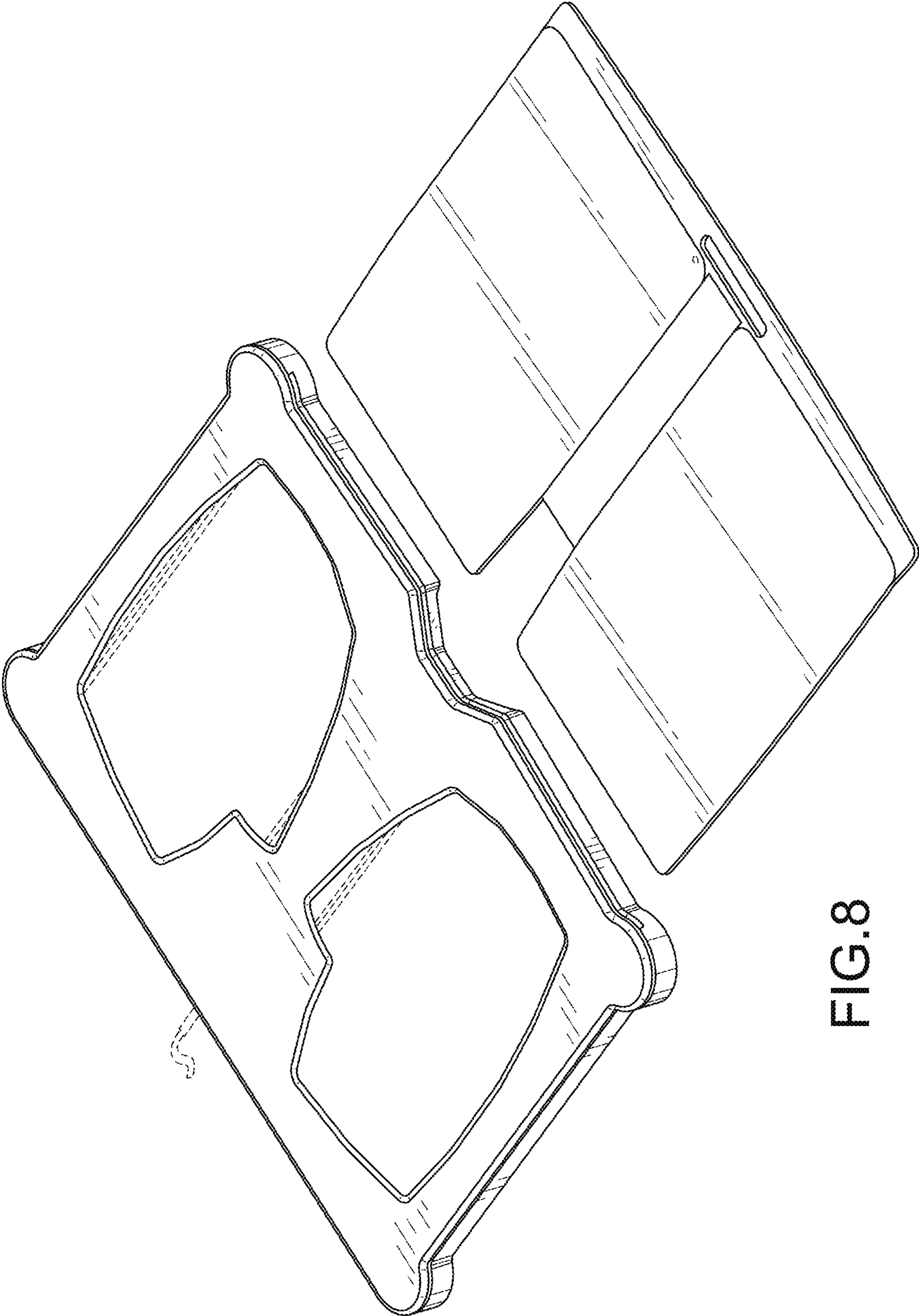


FIG.8