



US00D796680S

(12) **United States Design Patent** (10) **Patent No.:** **US D796,680 S**  
**Choumach et al.** (45) **Date of Patent:** **\*\* Sep. 5, 2017**

(54) **DOCKING STATION FOR A HAND HELD X-RAY FLUORESCENCE (XRF) INSTRUMENT**

D772,216 S \* 11/2016 Lau ..... D13/108  
D782,685 S \* 3/2017 Pippel ..... D24/186  
2015/0212018 A1\* 7/2015 Shields ..... G01N 23/223  
378/44

(71) Applicants: **Azeddine Choumach**, Westford, MA (US); **Cole Derby**, East Palo Alto, CA (US); **Daniel Harden**, Palo Alto, CA (US)

\* cited by examiner

*Primary Examiner* — Anhdao Doan

(74) *Attorney, Agent, or Firm* — C. Tricia Liu; Robert Kaim

(72) Inventors: **Azeddine Choumach**, Westford, MA (US); **Cole Derby**, East Palo Alto, CA (US); **Daniel Harden**, Palo Alto, CA (US)

(57) **CLAIM**

The ornamental design for a docking station for a hand held X-ray fluorescence (XRF) instrument, as shown and described.

(73) Assignee: **OLYMPUS SCIENTIFIC SOLUTIONS AMERICAS INC.**, Waltham, MA (US)

**DESCRIPTION**

(\*\*) Term: **15 Years**

FIG. 1 is an isometric view of the presently disclosed docking station, including the hand held analyzer and an extra battery.

(21) Appl. No.: **29/577,091**

FIG. 2 is a right side view of the presently disclosed docking station, including the hand held analyzer and an extra battery.

(22) Filed: **Sep. 9, 2016**

FIG. 3 is a left side view of the presently disclosed docking station, including the hand held analyzer and an extra battery.

(51) **LOC (10) Cl.** ..... **24-01**

(52) **U.S. Cl.**  
USPC ..... **D24/158**

(58) **Field of Classification Search**  
USPC ..... D24/158, 186.187, 216, 107, 231-233;  
D10/81, 78; D14/434, 453; D13/108  
CPC .... A61B 6/485; G01N 23/043; G01N 23/223;  
G01N 2223/076; G01N 2223/0766; G01N  
2223/301; G01B 15/02; H02J 7/0044  
See application file for complete search history.

FIG. 4 is a front view of the presently disclosed docking station, including the hand held analyzer and an extra battery.

FIG. 5 is a back view of the presently disclosed docking station, including the hand held analyzer and an extra battery.

FIG. 6 is a top view of the presently disclosed docking station, including the hand held analyzer and an extra battery; and,

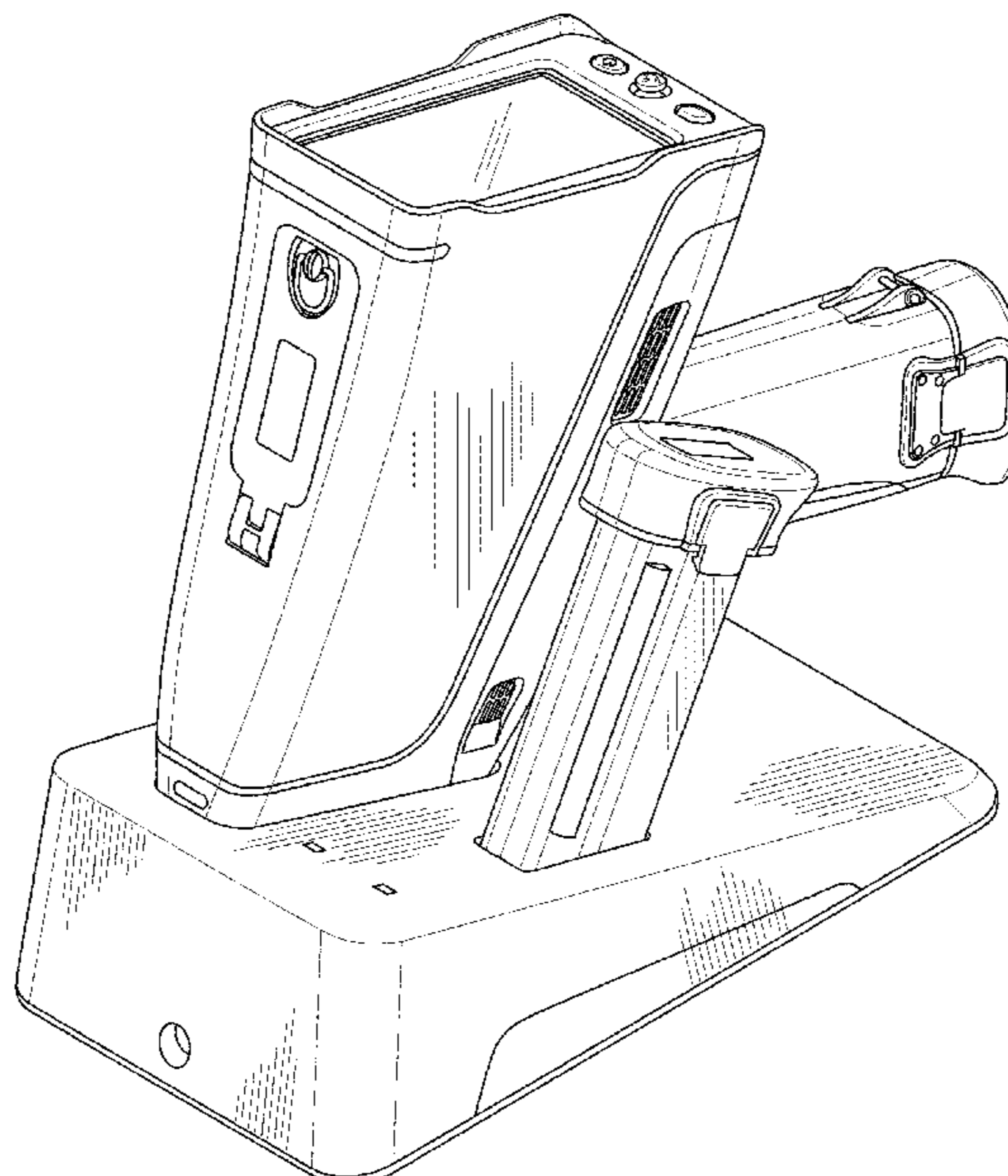
FIG. 7 is a bottom view of the presently disclosed docking station, including the hand held analyzer and an extra battery.

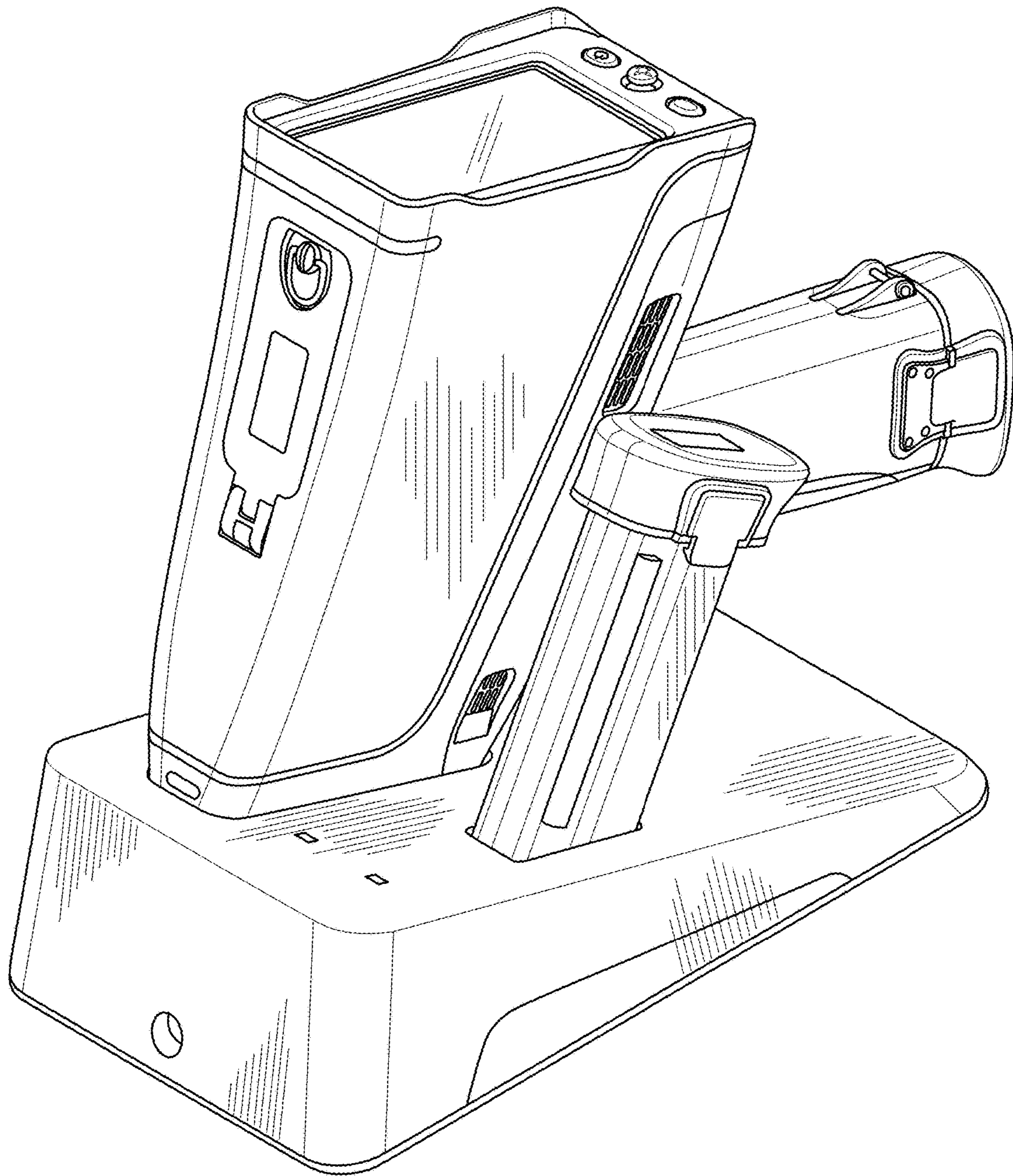
(56) **References Cited**

U.S. PATENT DOCUMENTS

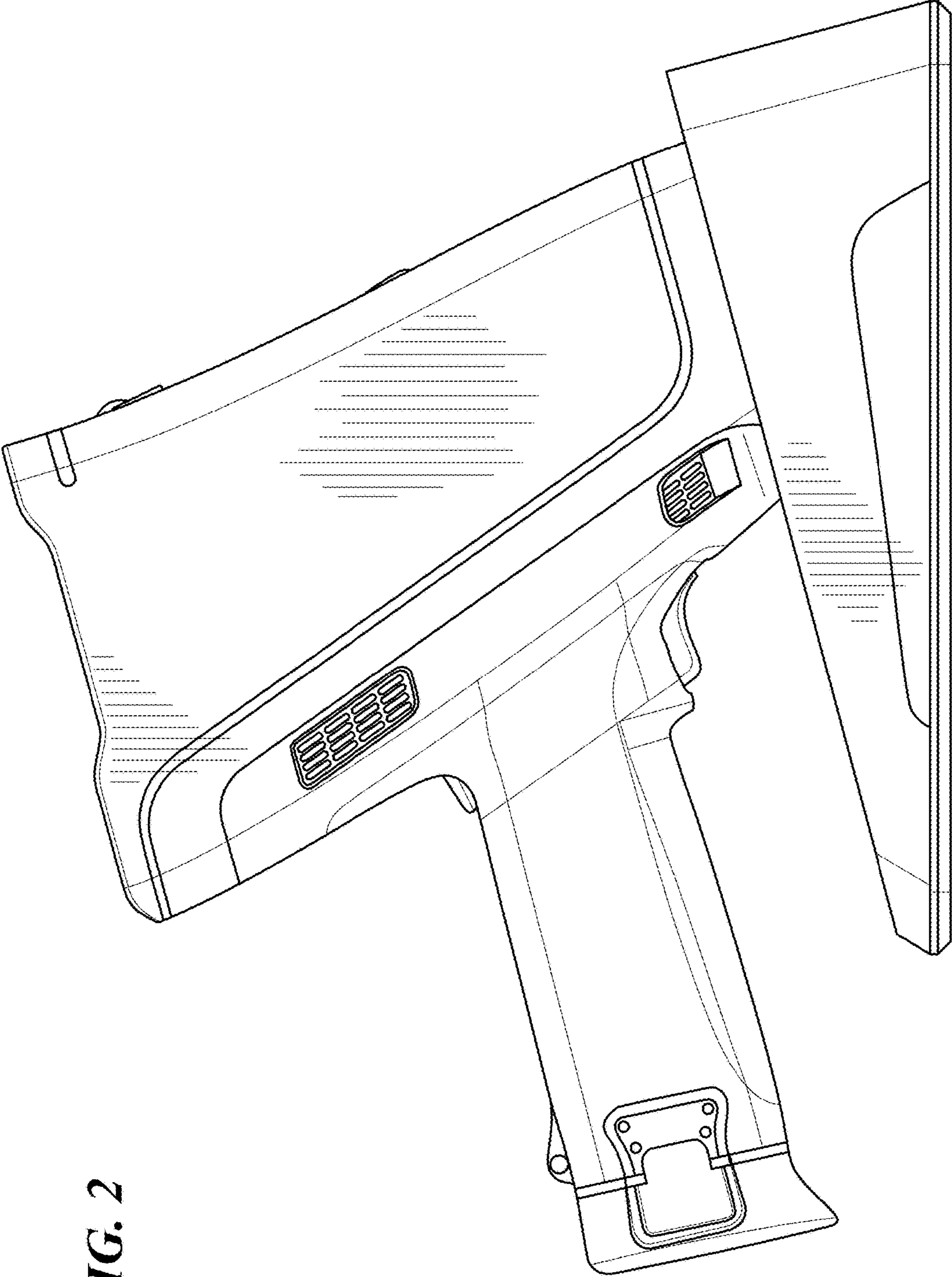
D601,259 S \* 9/2009 Guthrie ..... D24/169  
D697,625 S \* 1/2014 Montgomery ..... D24/186

**1 Claim, 7 Drawing Sheets**

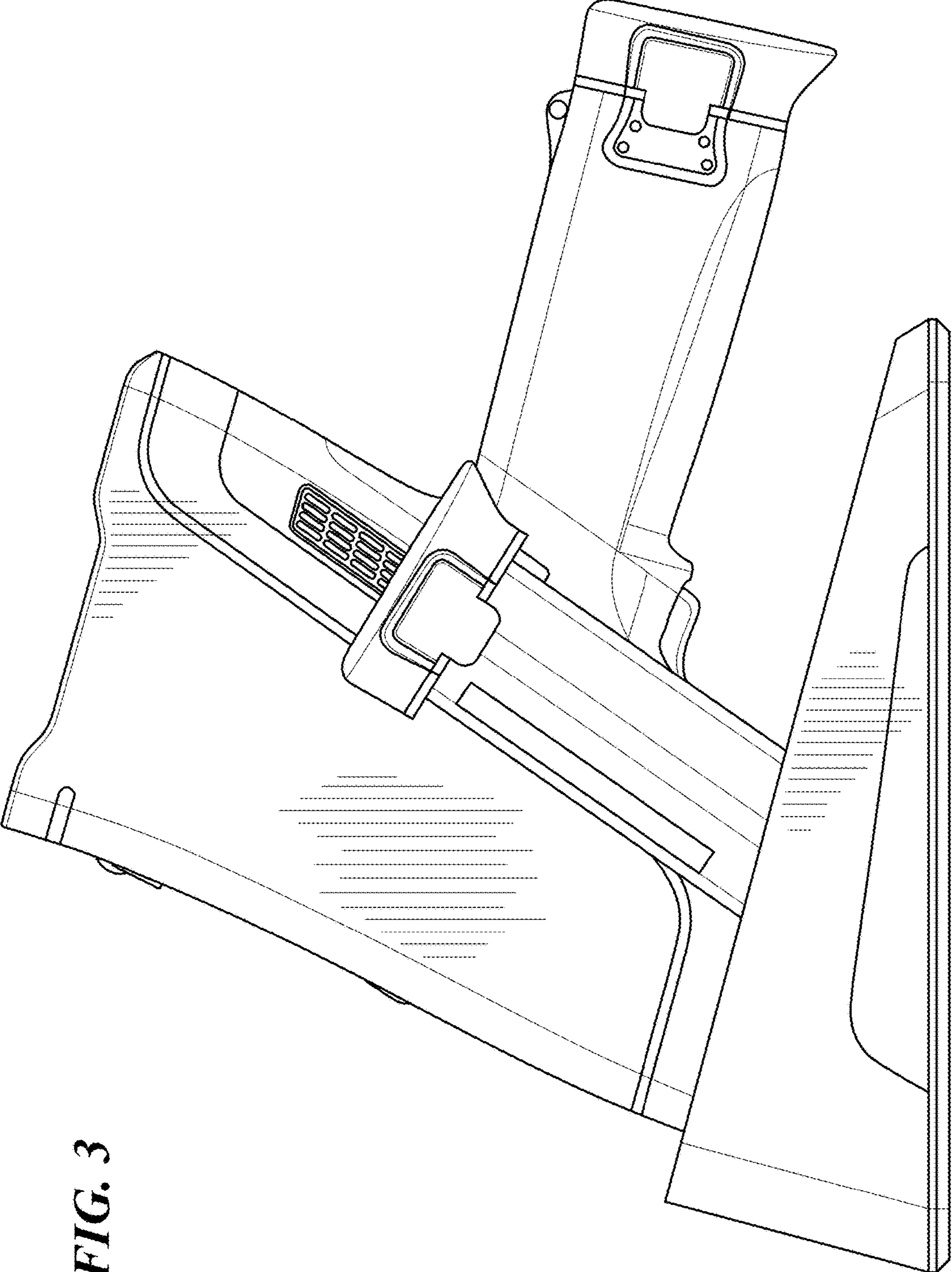




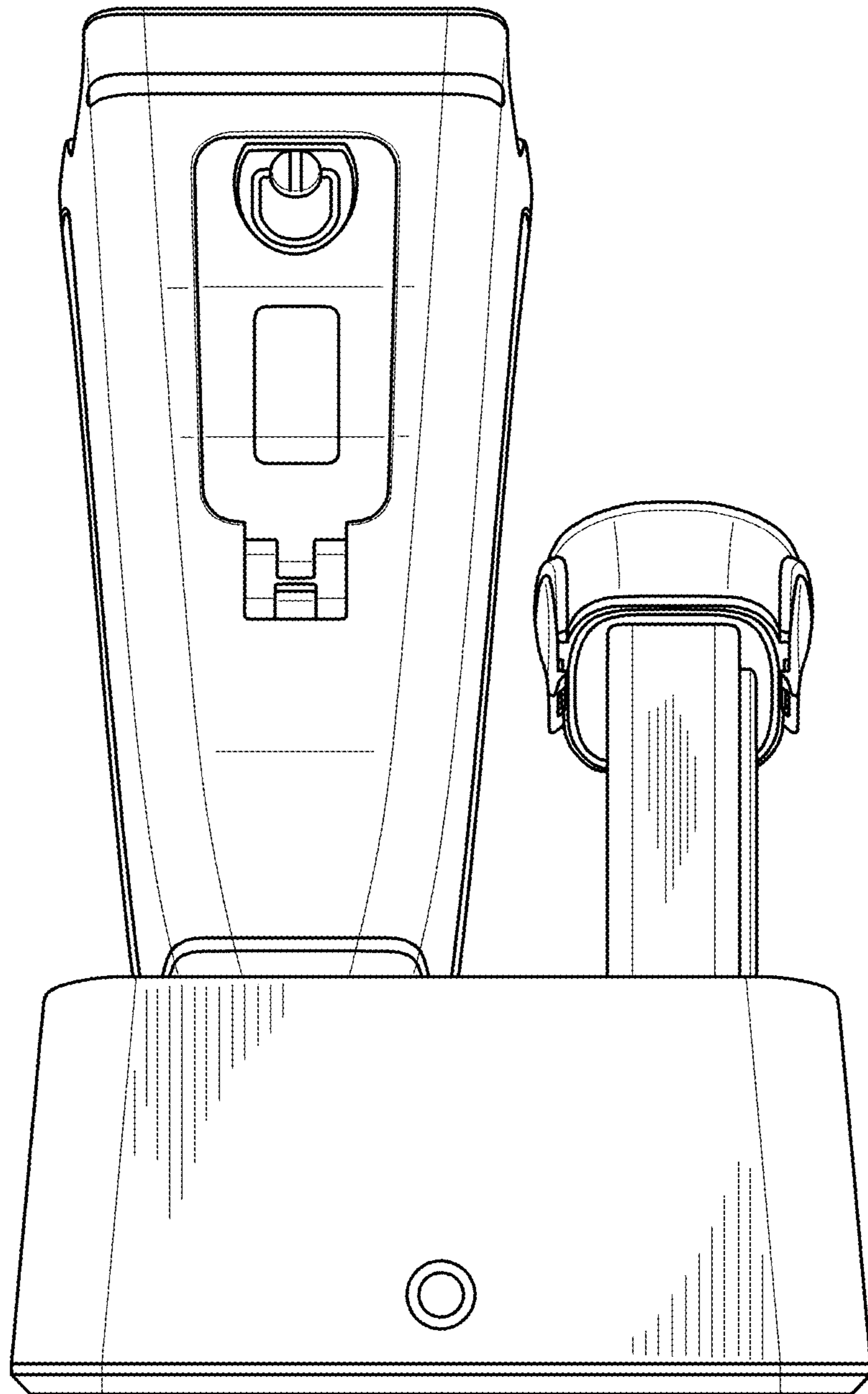
**FIG. 1**



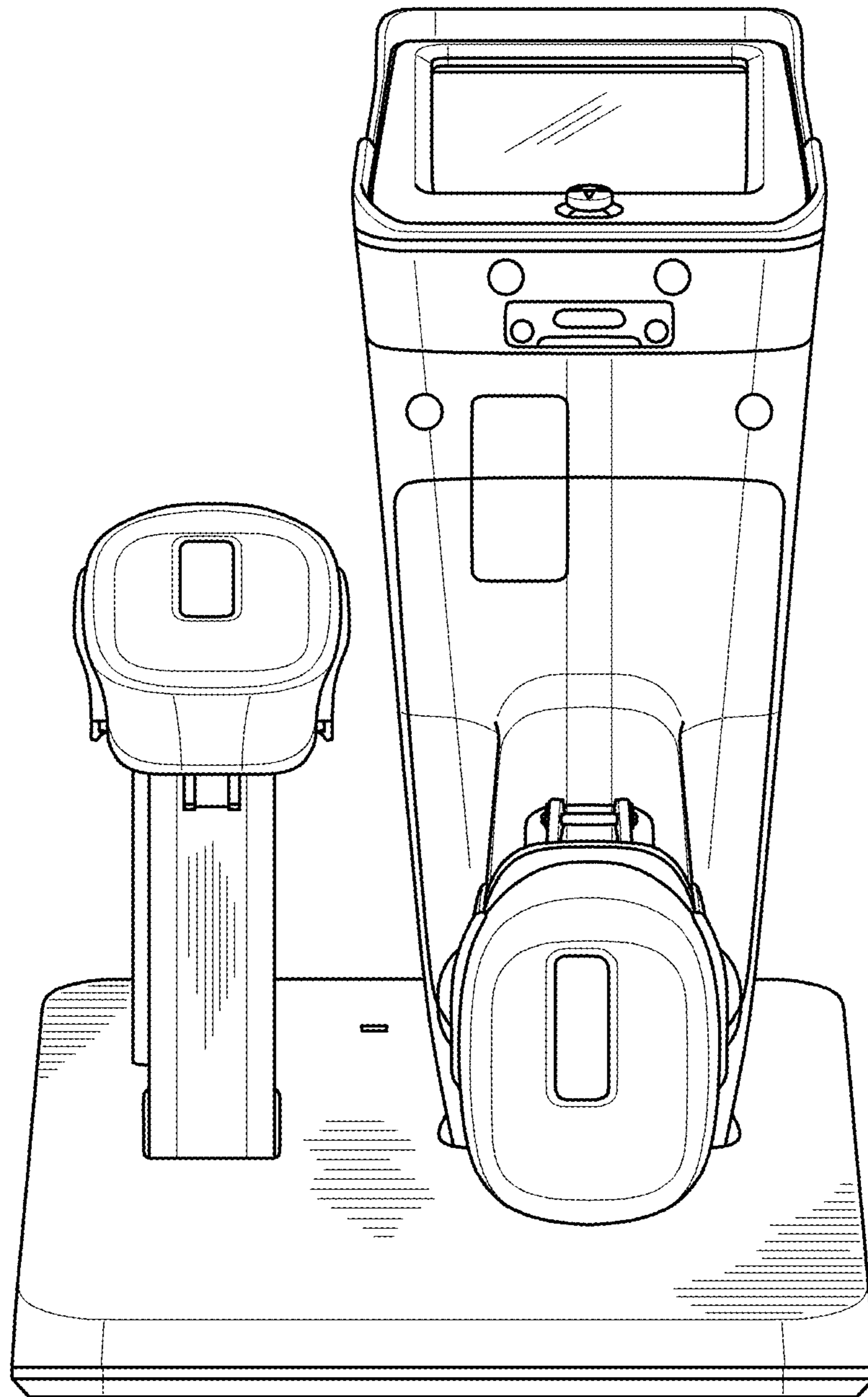
**FIG. 2**



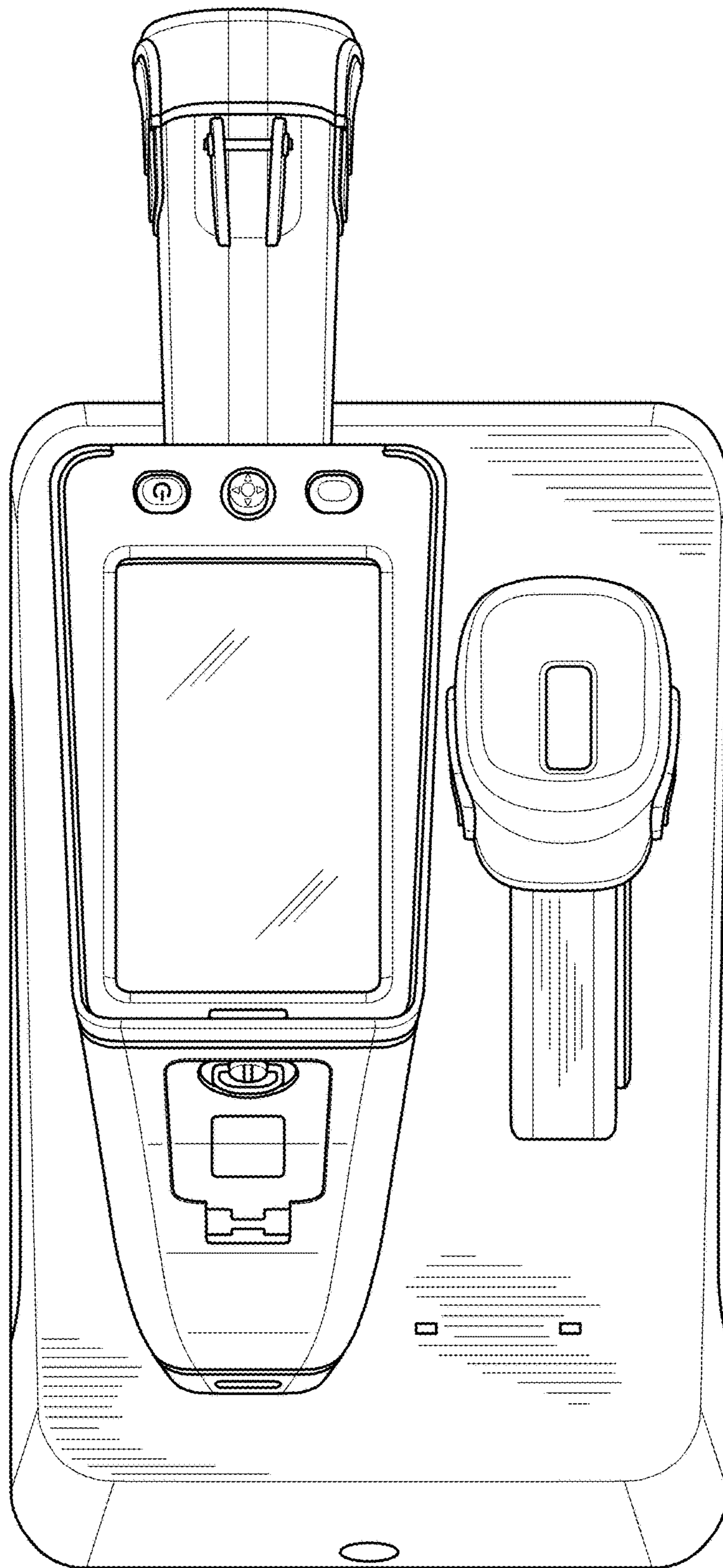
**FIG. 3**



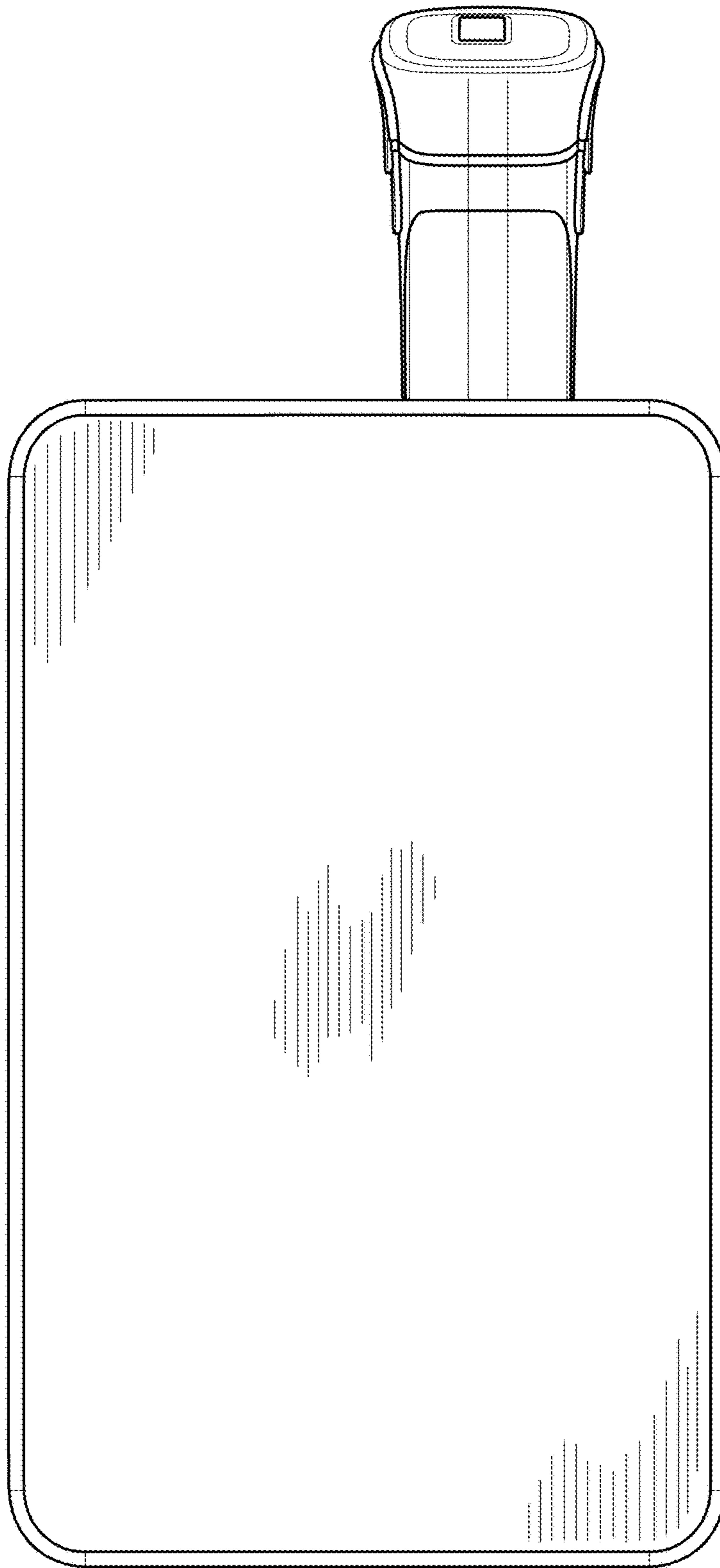
**FIG. 4**



**FIG. 5**



**FIG. 6**



**FIG. 7**