



US00D796678S

(12) **United States Design Patent** (10) **Patent No.:** **US D796,678 S**  
**Dekock et al.** (45) **Date of Patent:** **\*\* Sep. 5, 2017**

(54) **PORTABLE ULTRASOUND DEVICE**

(71) Applicant: **FUJIFILM SonoSite, Inc.**, Bothell, WA (US)

(72) Inventors: **Ben Dekock**, Seabeck, WA (US); **Evan McCormack**, Kenmore, WA (US); **David Wykes**, Seattle, WA (US); **Craig Chamberlain**, Seattle, WA (US); **Sara Akiko Prokop**, Seattle, WA (US)

(73) Assignee: **FUJIFILM SonoSite, Inc.**, Bothell, WA (US)

(\*\*) Term: **15 Years**

(21) Appl. No.: **29/568,028**

(22) Filed: **Jun. 14, 2016**

(51) **LOC (10) Cl.** ..... **24-01**

(52) **U.S. Cl.**  
USPC ..... **D24/158**

(58) **Field of Classification Search**  
USPC ..... D24/158-161, 185, 186, 107, 187  
CPC ... A61B 8/4405; A61B 8/4411; A61B 8/4427;  
A61B 8/462; A61B 8/0437; A61B 8/0883; A61B 8/4444; A61B 8/4455;  
A61B 8/4483; A61B 8/4461  
See application file for complete search history.

(56) **References Cited**

**U.S. PATENT DOCUMENTS**

D544,962 S \* 6/2007 Diener ..... D24/186  
D559,390 S \* 1/2008 Diener ..... D24/186

D695,898 S \* 12/2013 Chung ..... D24/158  
D702,842 S \* 4/2014 Hyde ..... D24/185  
D708,748 S \* 7/2014 Lei ..... D24/158  
D725,784 S \* 3/2015 Xia ..... D24/186  
D760,719 S \* 7/2016 Zhou ..... D14/420  
2013/0012817 A1\* 1/2013 Ahn ..... A61B 8/4427  
600/441  
2013/0190624 A1\* 7/2013 Beger ..... A61B 8/42  
600/443  
2014/0098049 A1\* 4/2014 Koch ..... G06F 3/016  
345/173

\* cited by examiner

*Primary Examiner* — Anhdao Doan

(74) *Attorney, Agent, or Firm* — Perkins Coie LLP

(57) **CLAIM**

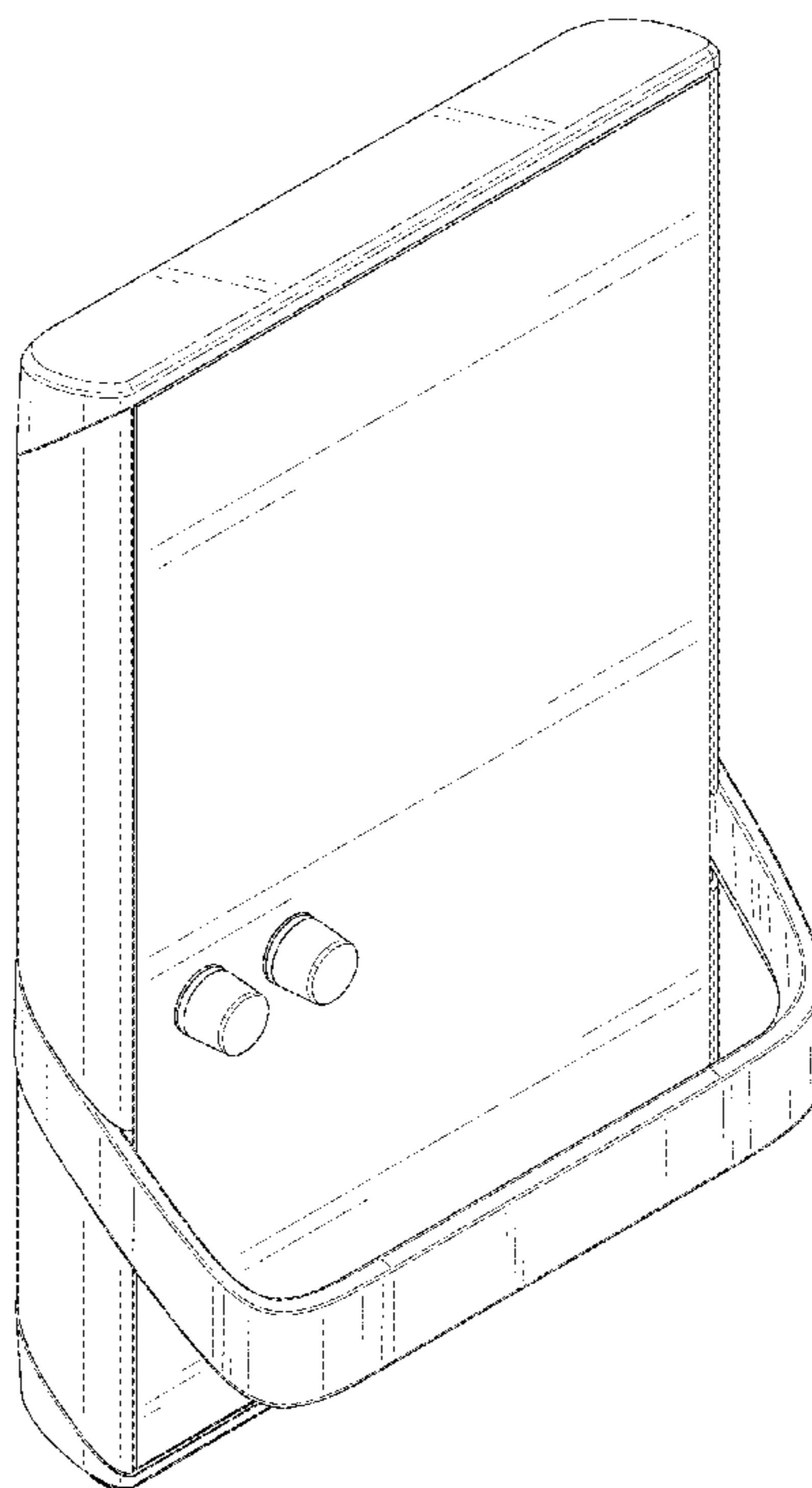
The ornamental design for a portable ultrasound device, as shown and described.

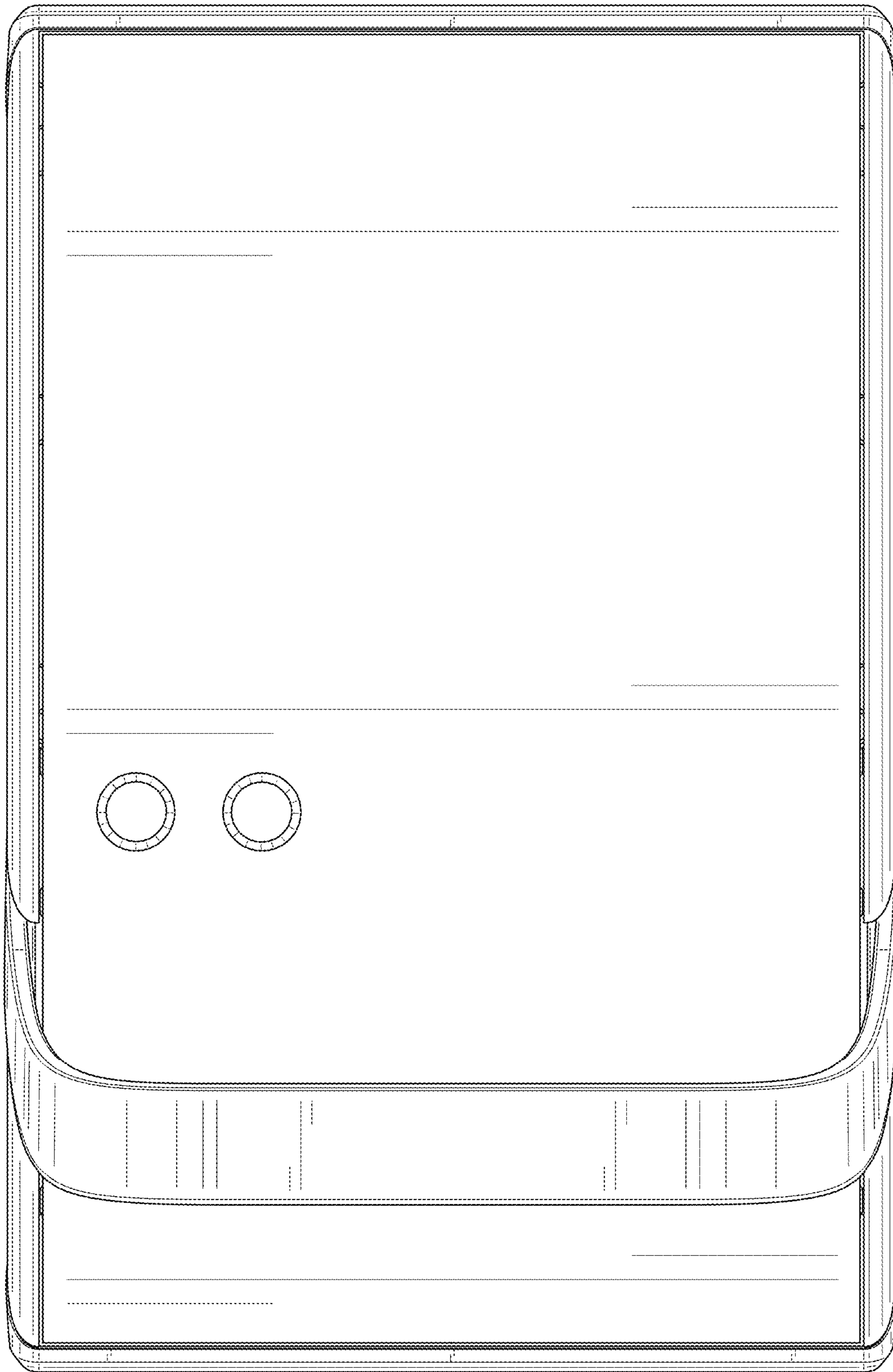
**DESCRIPTION**

FIG. 1 is a front view of a portable ultrasound device; FIG. 2 is an upper front isometric side view thereof; FIG. 3 is a lower front isometric side view thereof; FIG. 4 is a first side view thereof; FIG. 5 is a second side view thereof. FIG. 6 is top plan view thereof; FIG. 7 is a bottom plan view thereof; and, FIG. 8 is a rear view thereof.

The broken lines immediately adjacent to the shades areas represent the bounds of the claim, while all other broken lines are directed to environment and are for illustrative purposes only. The broken lines form no part of the claimed design.

**1 Claim, 8 Drawing Sheets**





*Fig. 1*

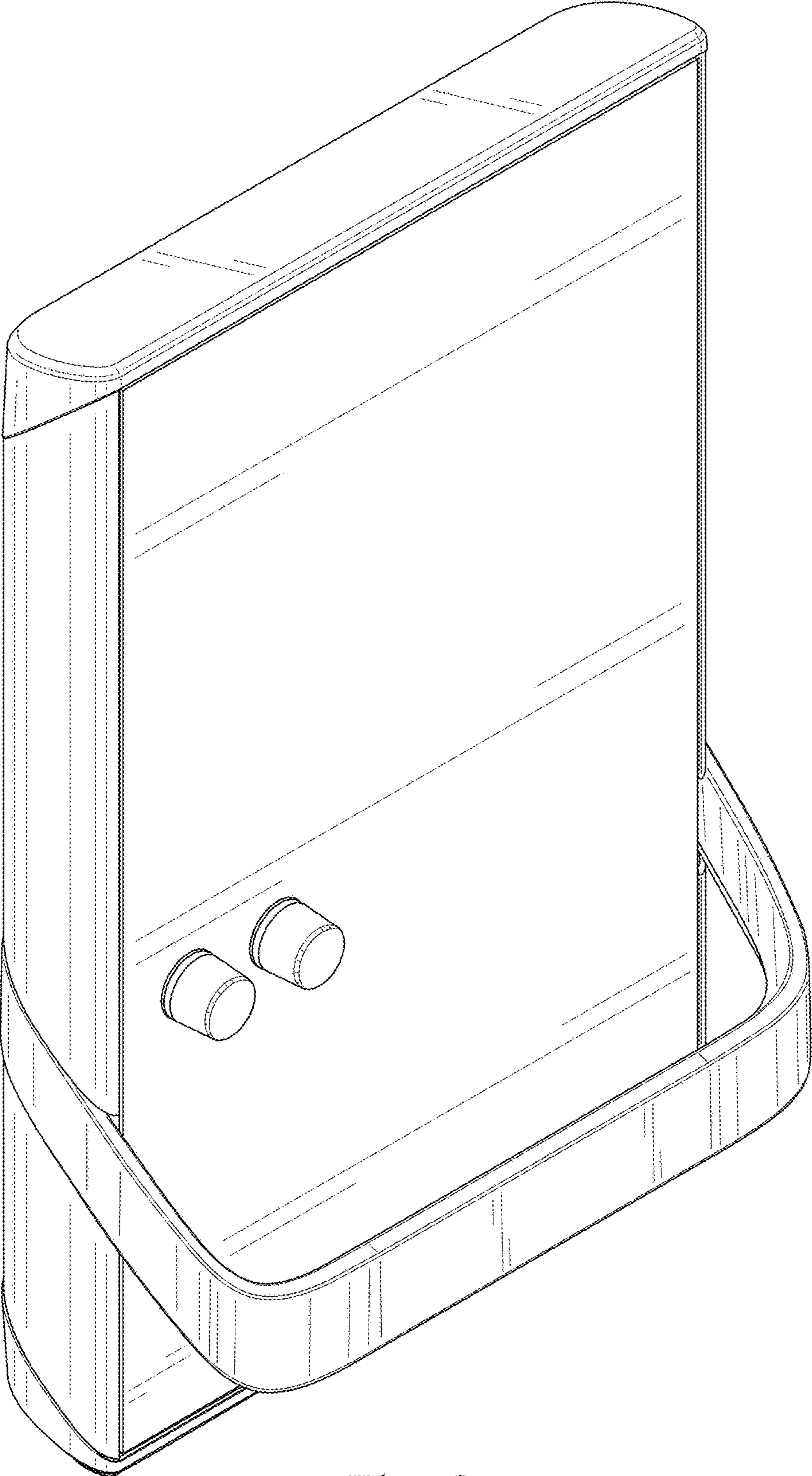


Fig. 2

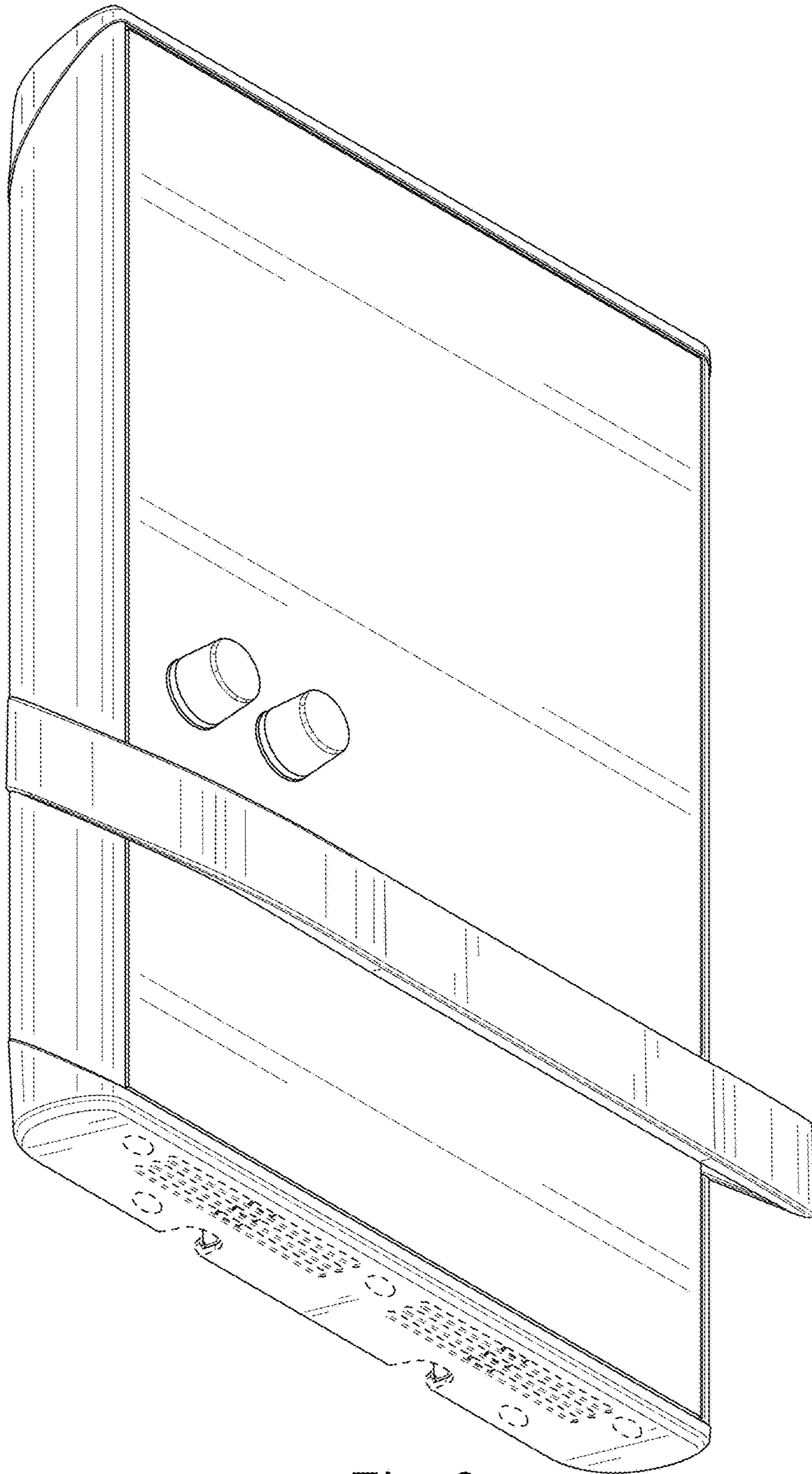
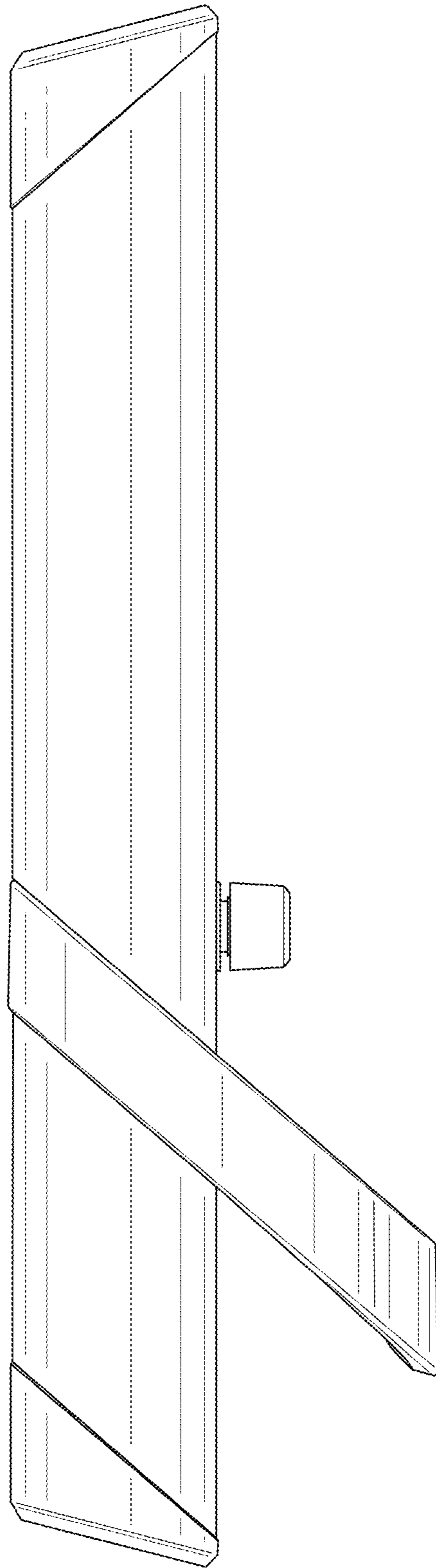
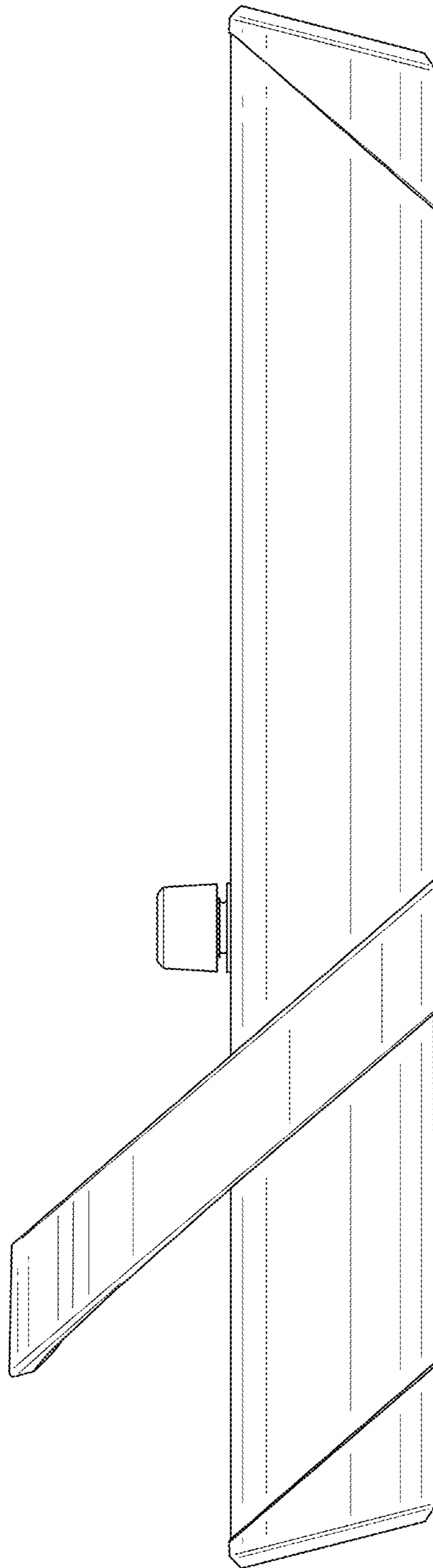


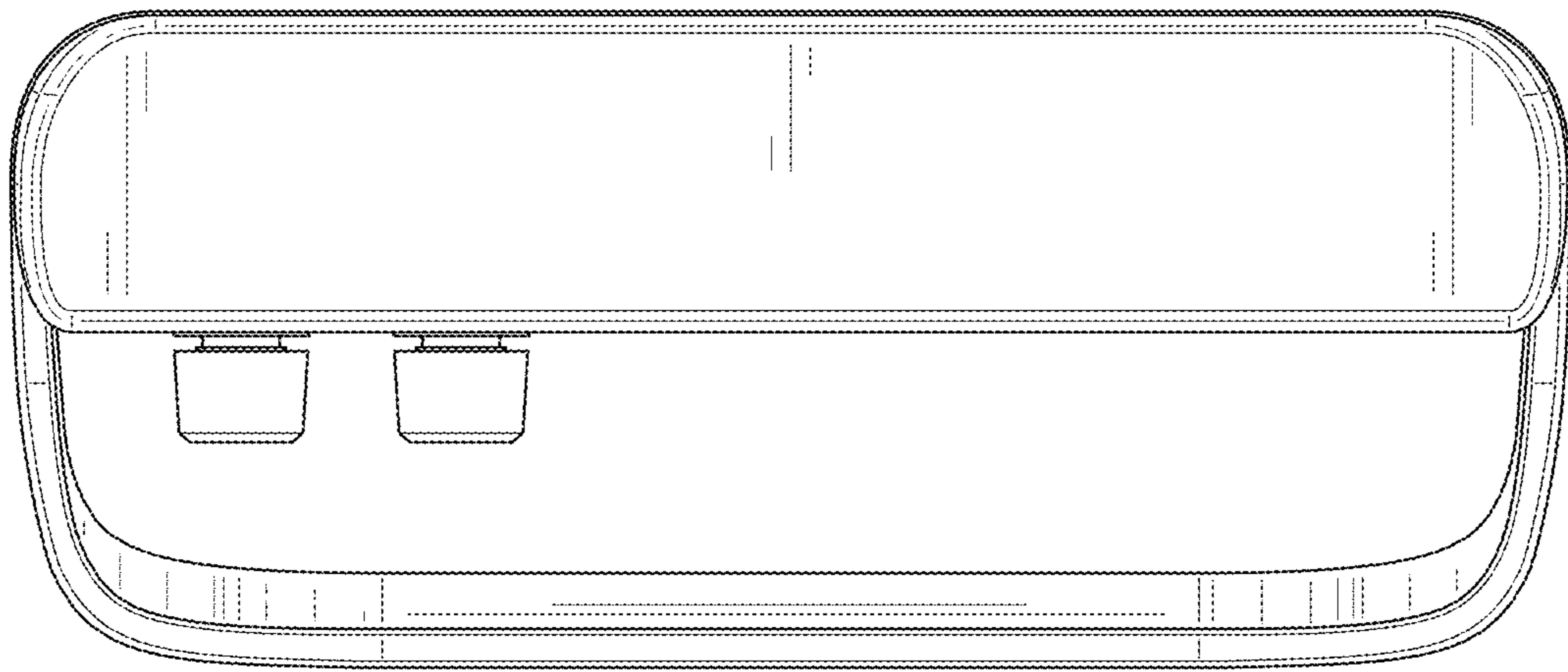
Fig. 3



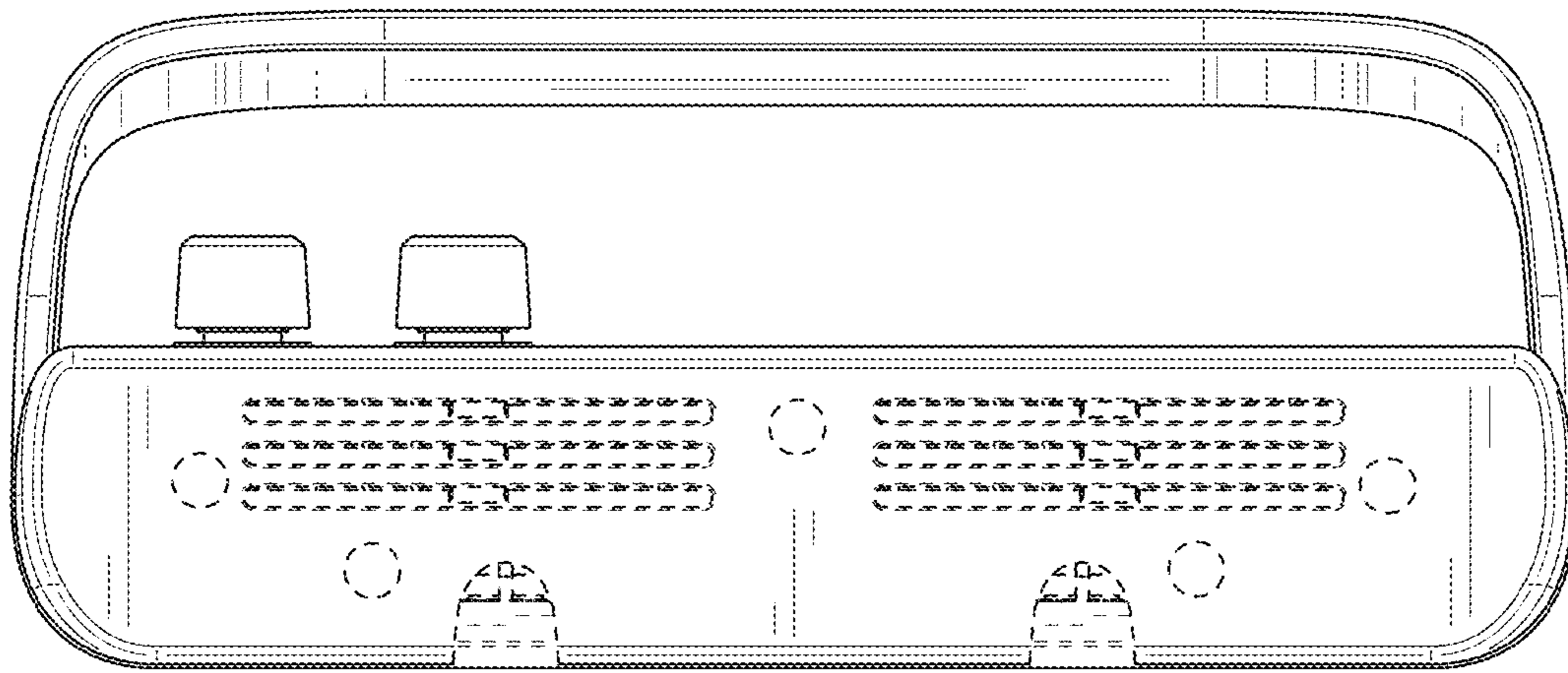
*Fig. 4*



*Fig. 5*

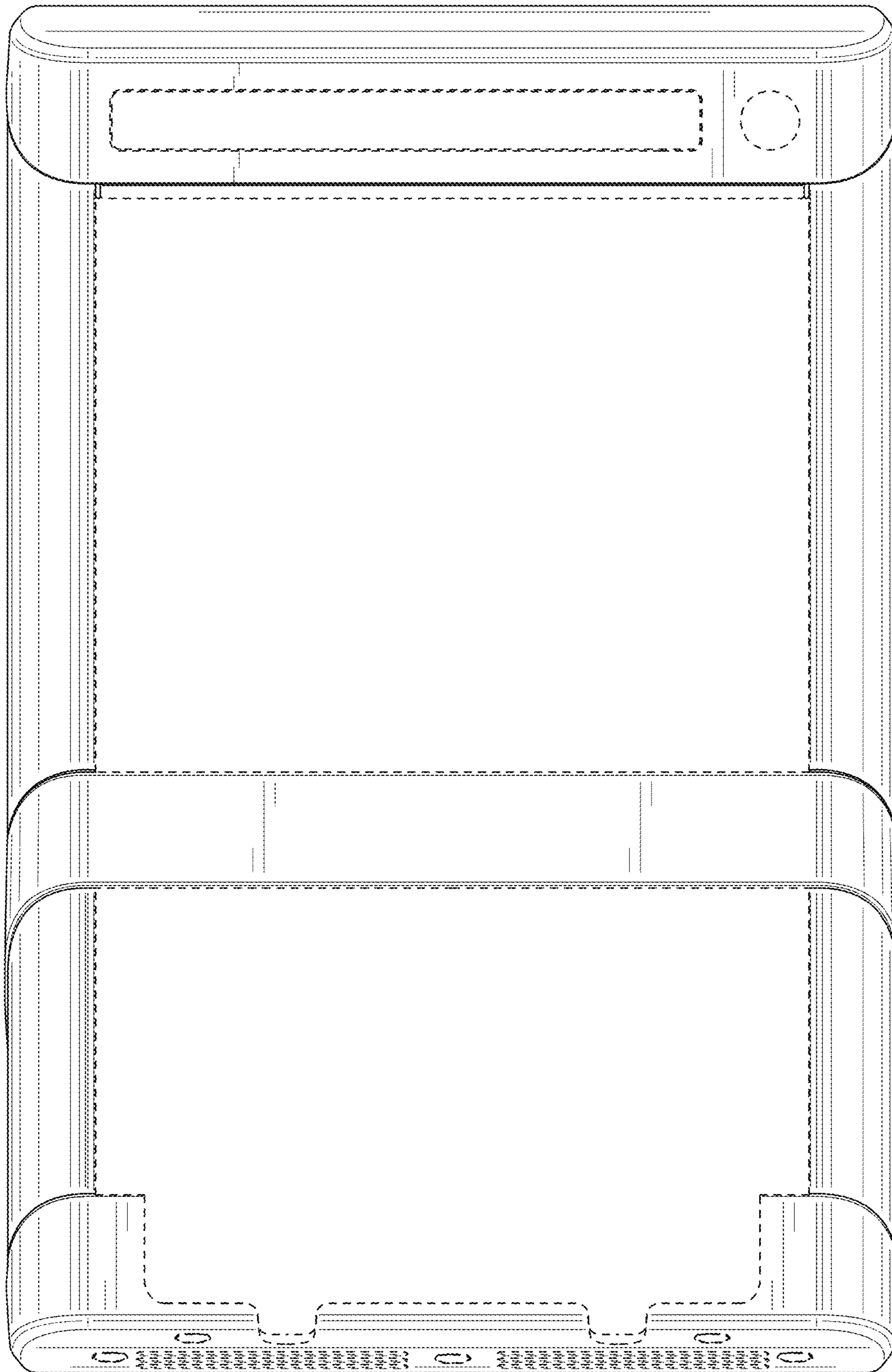


*Fig. 6*



*Fig. 7*





*Fig. 8*