

US00D796677S

(12) **United States Design Patent**
Ogura

(10) **Patent No.:** **US D796,677 S**

(45) **Date of Patent:** **** Sep. 5, 2017**

(54) **X-RAY DIGITAL IMAGING DEVICE**

(71) Applicant: **FUJIFILM Corporation**, Tokyo (JP)

(72) Inventor: **Ryosuke Ogura**, Kanagawa (JP)

(73) Assignee: **FUJIFILM Corporation**, Tokyo (JP)

(**) Term: **15 Years**

(21) Appl. No.: **29/532,691**

(22) Filed: **Jul. 9, 2015**

(30) **Foreign Application Priority Data**

Jan. 16, 2015 (JP) 2015-000753

(51) **LOC (10) Cl.** **24-01**

(52) **U.S. Cl.**
USPC **D24/158**

(58) **Field of Classification Search**
USPC D24/158-161, 186; D16/250; D14/435,
D14/482
CPC H04N 5/367; G03B 42/04
See application file for complete search history.

(56) **References Cited**

U.S. PATENT DOCUMENTS

D477,080 S * 7/2003 Takahashi D24/161
D492,321 S * 6/2004 Farrar D14/435

D659,249 S * 5/2012 Ogura D24/161
D727,502 S * 4/2015 Sul D24/158
D751,714 S * 3/2016 Ogura D24/158
D753,827 S * 4/2016 Sul D24/158
2009/0026378 A1* 1/2009 Yoshimi G03B 42/04
250/370.08
2014/0124678 A1* 5/2014 Yoneyama H04N 5/378
250/393
2015/0276944 A1* 10/2015 Enomoto A61B 8/467
378/101

* cited by examiner

Primary Examiner — Anhdao Doan

(74) *Attorney, Agent, or Firm* — Young & Thompson

(57) **CLAIM**

The ornamental design for an X-ray digital imaging device, as shown and described.

DESCRIPTION

FIG. 1 is a top, front and right side perspective view of an X-ray digital imaging device showing my new design; FIG. 2 is a front elevational view thereof; FIG. 3 is a rear elevational view thereof; FIG. 4 is a top plan view thereof; and, FIG. 5 is a right side elevational view thereof. The broken lines depict portions of an X-ray digital imaging device in which the design is embodied that form no part of the claimed design.

1 Claim, 4 Drawing Sheets

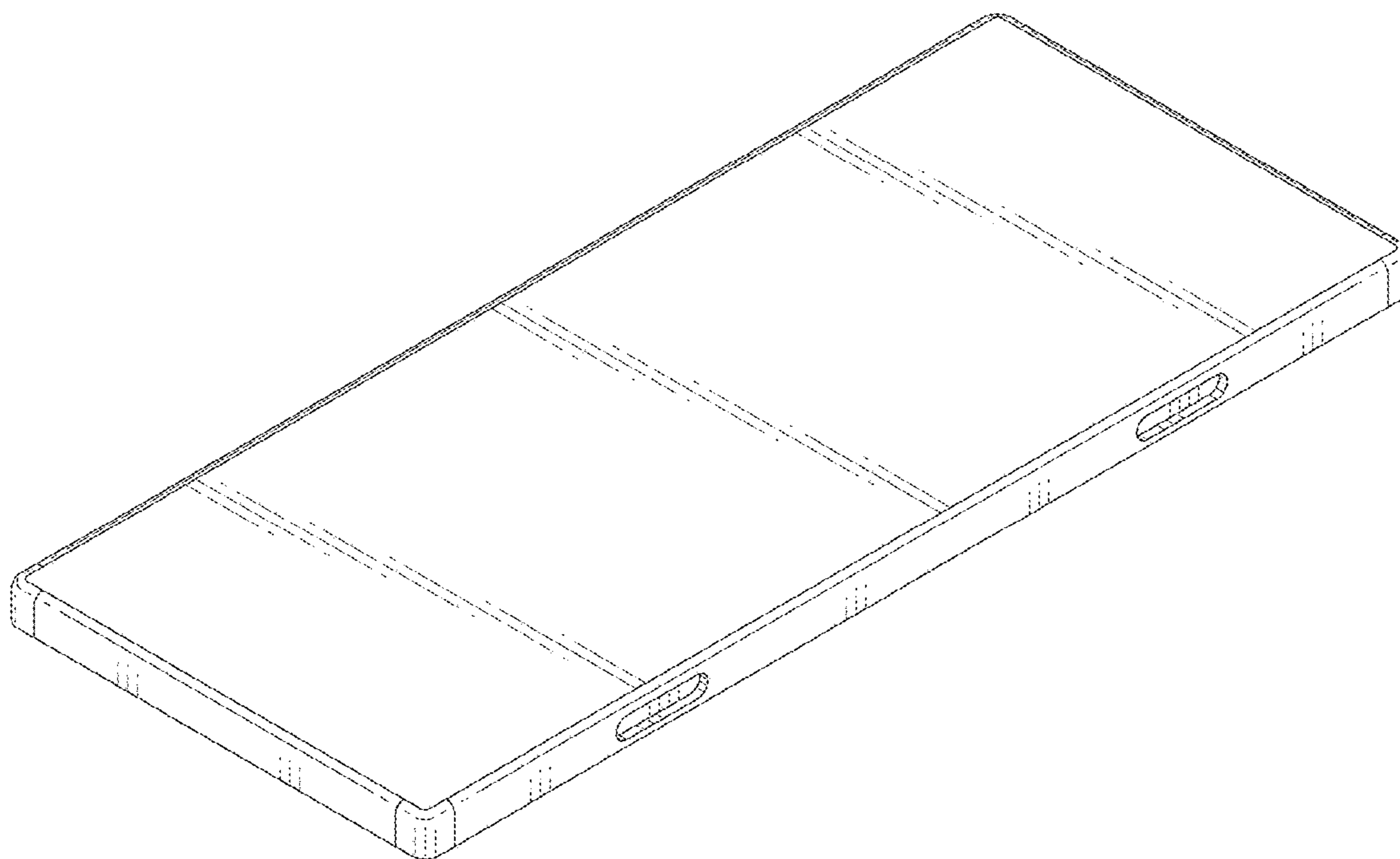


FIG. 1

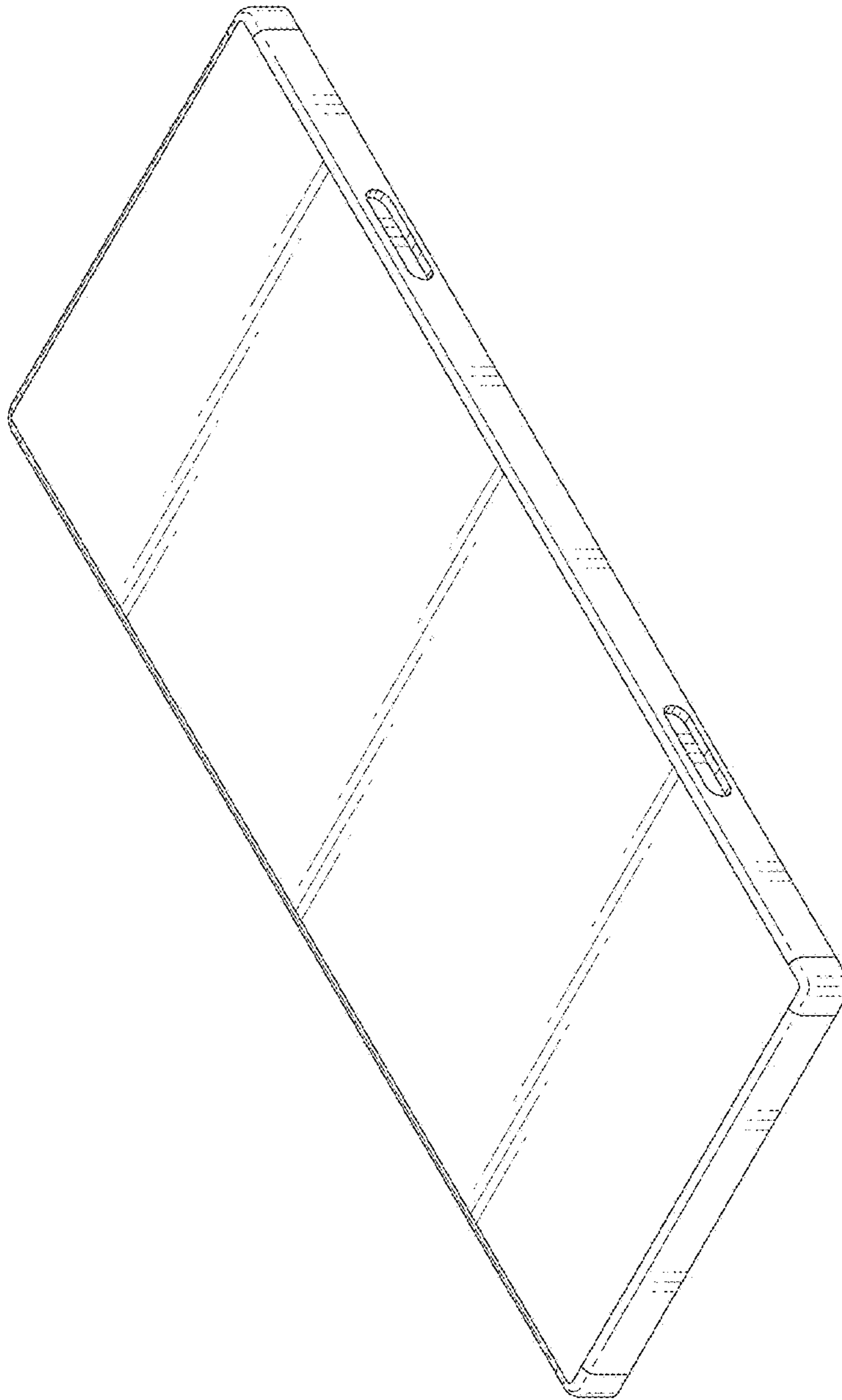


FIG. 2

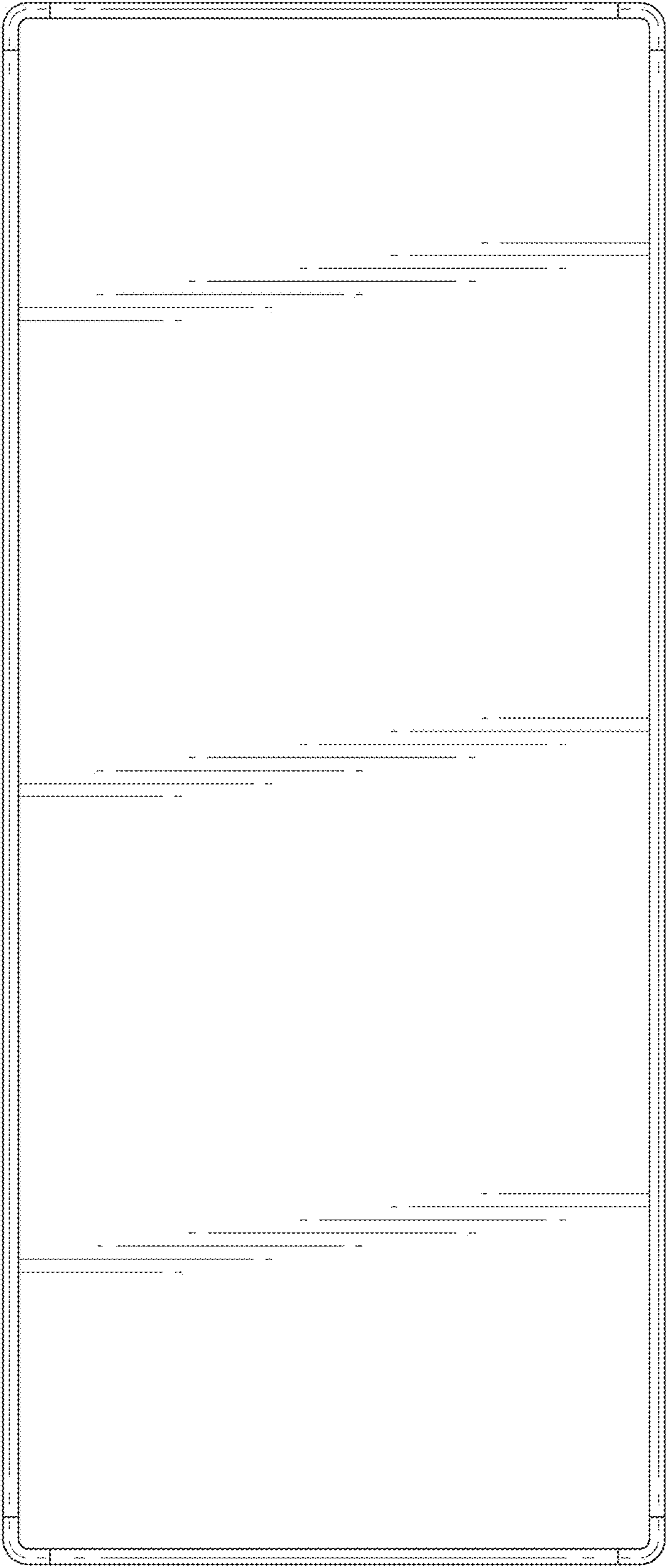


FIG. 3

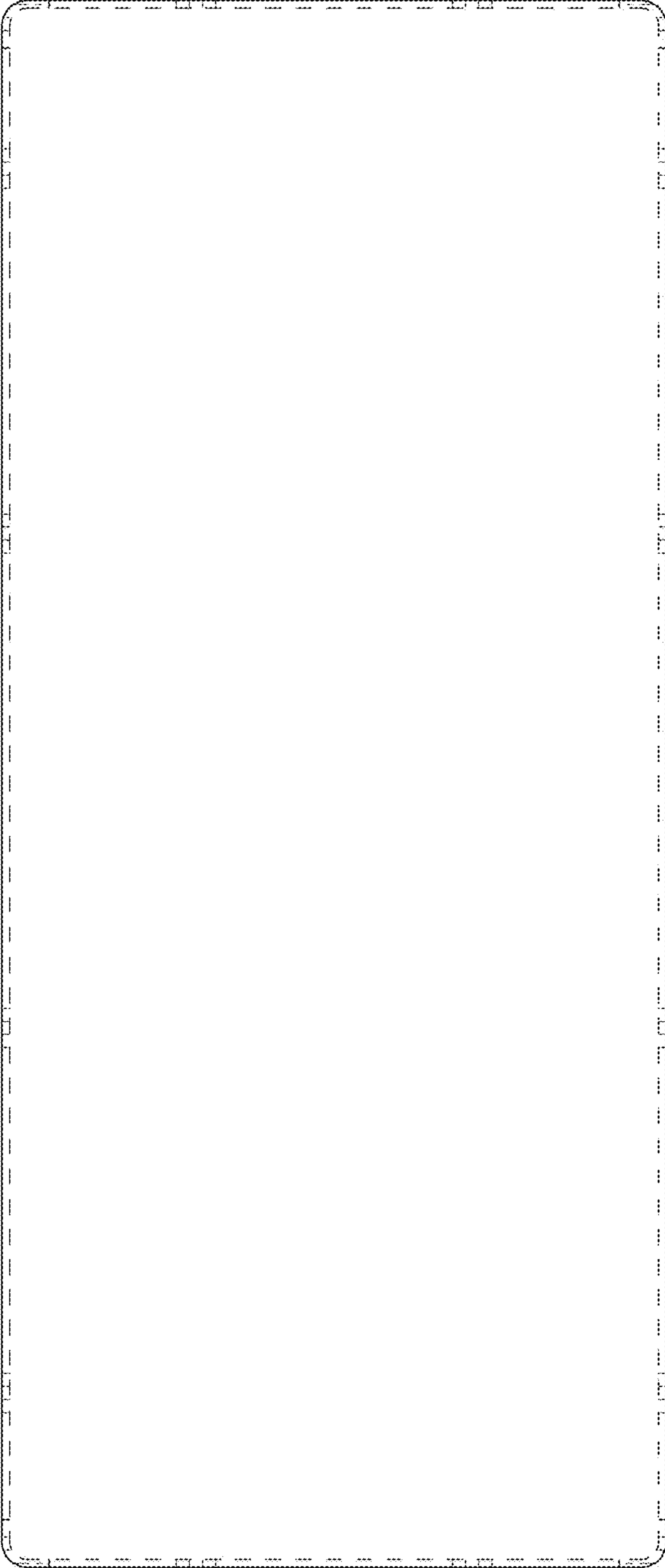


FIG. 4



FIG. 5

