



US00D796676S

(12) **United States Design Patent** (10) **Patent No.:** **US D796,676 S**
Preis (45) **Date of Patent:** **** Sep. 5, 2017**

(54) **OPTICAL FORCEPS**
(71) Applicant: **KARL STORZ GmbH & Co. KG,**
Tuttlingen (DE)
(72) Inventor: **Fridolin Preis,** Immendingen (DE)
(73) Assignee: **KARL STORZ GmbH & Co. KG,**
Tuttlingen (DE)

(**) Term: **15 Years**
(21) Appl. No.: **29/573,195**
(22) Filed: **Aug. 3, 2016**

(30) **Foreign Application Priority Data**
Feb. 3, 2016 (EM) 002970236-0007
(51) **LOC (10) Cl.** **24-02**
(52) **U.S. Cl.**
USPC **D24/143**
(58) **Field of Classification Search**
USPC D24/133, 138, 143-148, 137; D8/51, 57,
D8/107
CPC A61B 1/00013; A61B 1/0096; A61B
1/00087; A61B 17/00234; A61B 17/28;
A61B 17/29; A61B 17/2808; A61B
17/282; A61B 17/122; A61B 17/1285;
A61B 17/32; A61B 18/1445; A61B
18/1442; A61B 10/02; A61B 10/04; A61B
10/06
See application file for complete search history.

(56) **References Cited**
U.S. PATENT DOCUMENTS
5,336,238 A * 8/1994 Holmes A61B 17/28
606/170
D350,606 S * 9/1994 Koros D24/143
5,352,235 A * 10/1994 Koros A61B 18/1445
606/170
5,368,606 A * 11/1994 Marlow A61B 17/29
606/170

D354,563 S * 1/1995 Holmes D24/143
D366,525 S * 1/1996 Toy D24/133
5,843,000 A * 12/1998 Nishioka A61B 10/06
600/104
5,947,996 A * 9/1999 Logeman A61B 17/29
600/564

(Continued)

FOREIGN PATENT DOCUMENTS

EM 001781360-0018 11/2010

OTHER PUBLICATIONS

Karl Storz 27072A Optical Biopsy Forceps. [Retrieved on Jun. 13, 2017]. Retrieved from the Internet: <URL: www.ebay.com>.*

Primary Examiner — Wan Laymon
(74) *Attorney, Agent, or Firm* — Muncy, Geissler, Olds & Lowe, P.C.

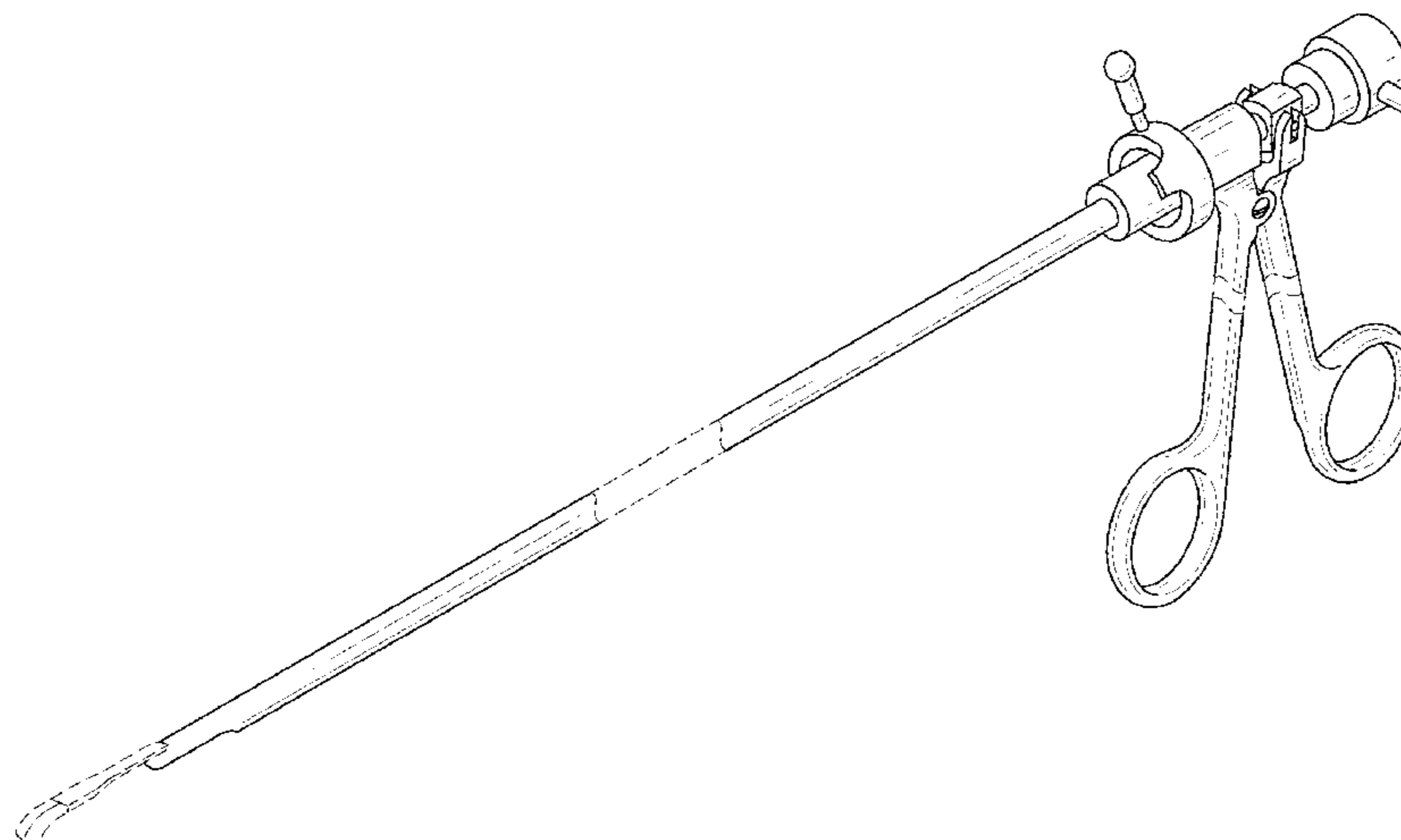
(57) **CLAIM**

The ornamental design for a optical forceps, as shown and described.

DESCRIPTION

FIG. 1 is a front perspective view of a optical forceps according to the present invention.
FIG. 2 is a front view of the optical forceps of FIG. 1.
FIG. 3 is a rear view of the optical forceps of FIG. 1.
FIG. 4 is a left side view of the optical forceps of FIG. 1.
FIG. 5 is a right side view of the optical forceps of FIG. 1.
FIG. 6 is a top view of the optical forceps of FIG. 1; and, FIG. 7 is a bottom view of the optical forceps of FIG. 1.
The dashed lines illustrate environment that does not form a part of the present invention, and no claim is made to the material illustrated with dashed lines.
The broken away symbols in the drawings indicate that any portion of the article beyond what is shown forms no part of the claimed design.

1 Claim, 6 Drawing Sheets



(56)

References Cited

U.S. PATENT DOCUMENTS

2016/0157701 A1 6/2016 Preis
2016/0361107 A1* 12/2016 Zergiebel A61B 17/29

* cited by examiner

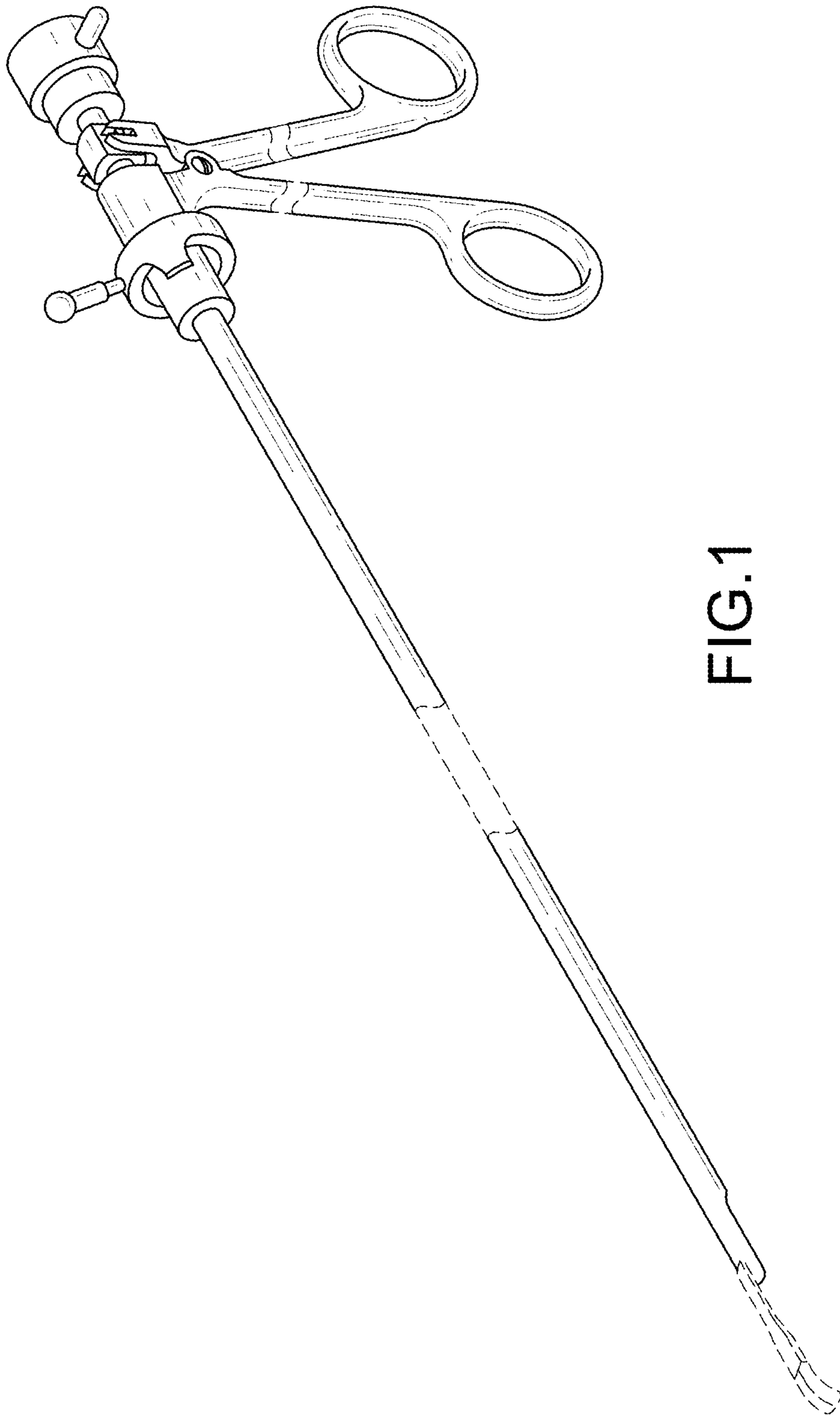


FIG. 1

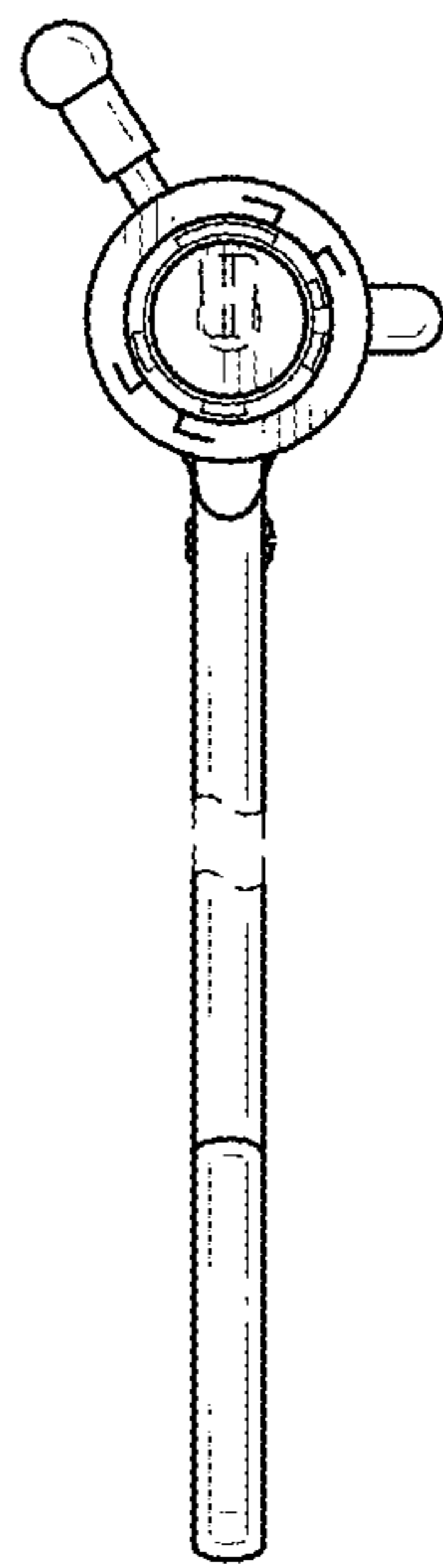


FIG. 2

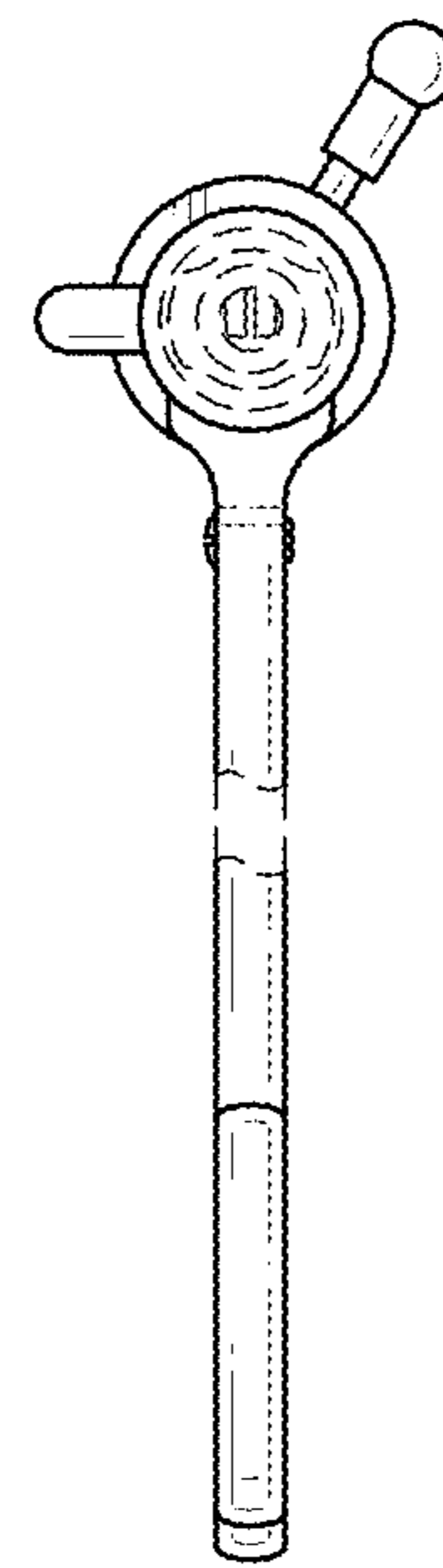


FIG. 3

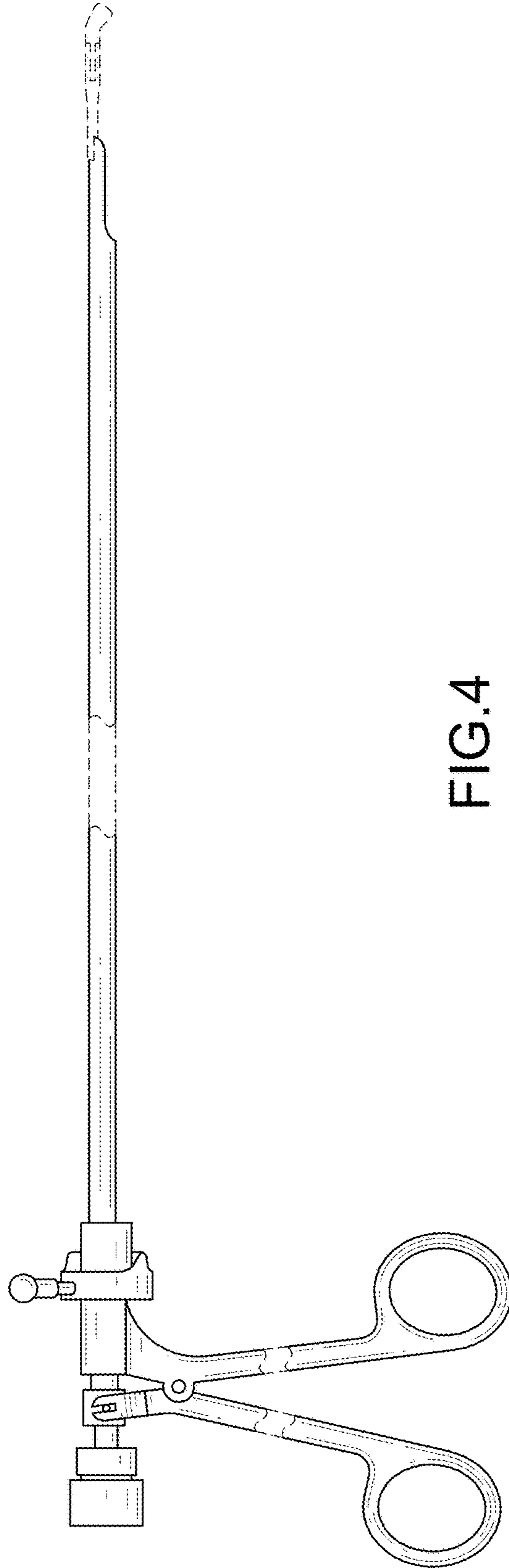


FIG. 4

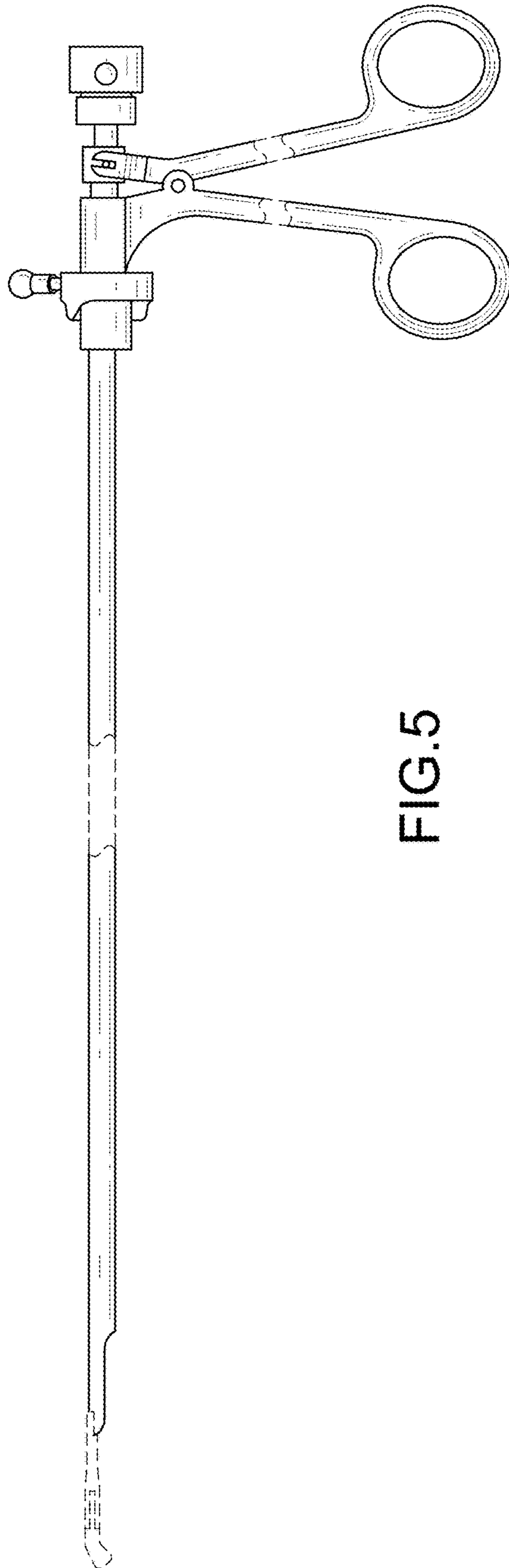


FIG.5

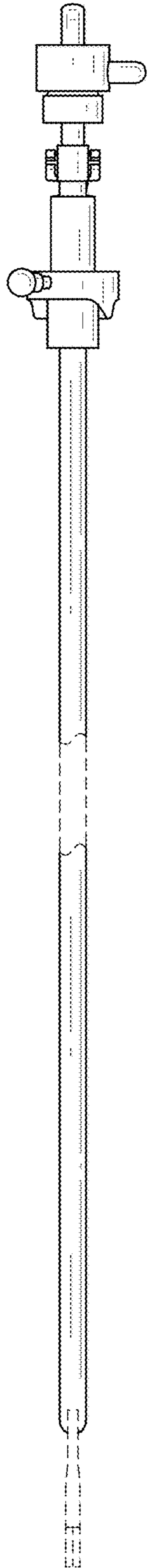


FIG.6

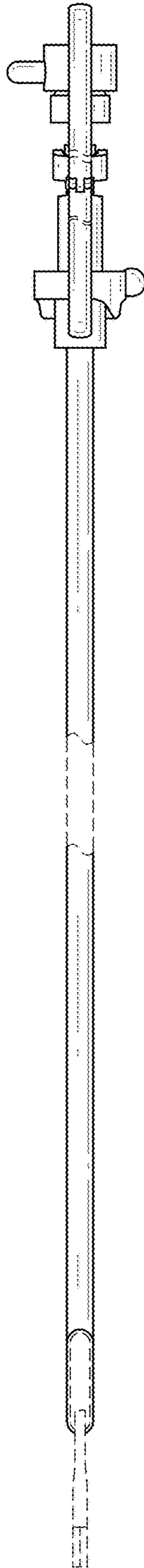


FIG.7