



US00D796672S

(12) **United States Design Patent** (10) **Patent No.:** **US D796,672 S**  
**Nijsten** (45) **Date of Patent:** **\*\* Sep. 5, 2017**

(54) **INTRODUCER WITH TROCAR** 8,157,835 B2 \* 4/2012 Taylor ..... A61B 17/3423  
604/167.01  
(71) Applicant: **FORTIMEDIX SURGICAL B.V.,** 9,289,200 B2 \* 3/2016 Dang ..... A61B 17/0218  
Nuth (NL) D756,512 S \* 5/2016 Oberlaender ..... D24/133  
2010/0249694 A1 \* 9/2010 Choi ..... A61B 17/3423  
604/26  
(72) Inventor: **Frank Johannes Hendrikus Nijsten,** 2013/0267982 A1 \* 10/2013 Seaver ..... A61B 17/3468  
Nuth (NL) 606/190  
(73) Assignee: **FORTIMEDIX SURGICAL B.V.,** 2014/0074015 A1 \* 3/2014 Mastri ..... A61B 17/3474  
Nuth (NL) 604/26  
2016/0113484 A1 \* 4/2016 Nakaguchi ..... A61B 1/126  
600/103

(\*\*) Term: **15 Years**

\* cited by examiner

(21) Appl. No.: **29/542,348**

*Primary Examiner* — Robert M Spear

(22) Filed: **Oct. 13, 2015**

*Assistant Examiner* — Eliza Bennett-Hattan

(51) **LOC (10) Cl.** ..... **24-02**

(74) *Attorney, Agent, or Firm* — Porzio Bromberg & Newman P.C.

(52) **U.S. Cl.**

USPC ..... **D24/138**

(58) **Field of Classification Search**

USPC ..... D24/108, 112, 117, 118, 130, 133, 135,  
D24/137, 138, 222, 141, 111, 113, 127,  
D24/143, 144, 148, 179, 216, 152, 153,  
D24/154, 176, 170

(57) **CLAIM**

CPC ..... A61B 17/0293; A61B 17/3423; A61B  
17/3462; A61B 17/3474; A61B  
2017/00477; A61B 2017/3445; A61B  
2017/3466; A61B 2218/008

I claim, the ornamental design for an introducer with trocar,  
as shown and described.

See application file for complete search history.

**DESCRIPTION**

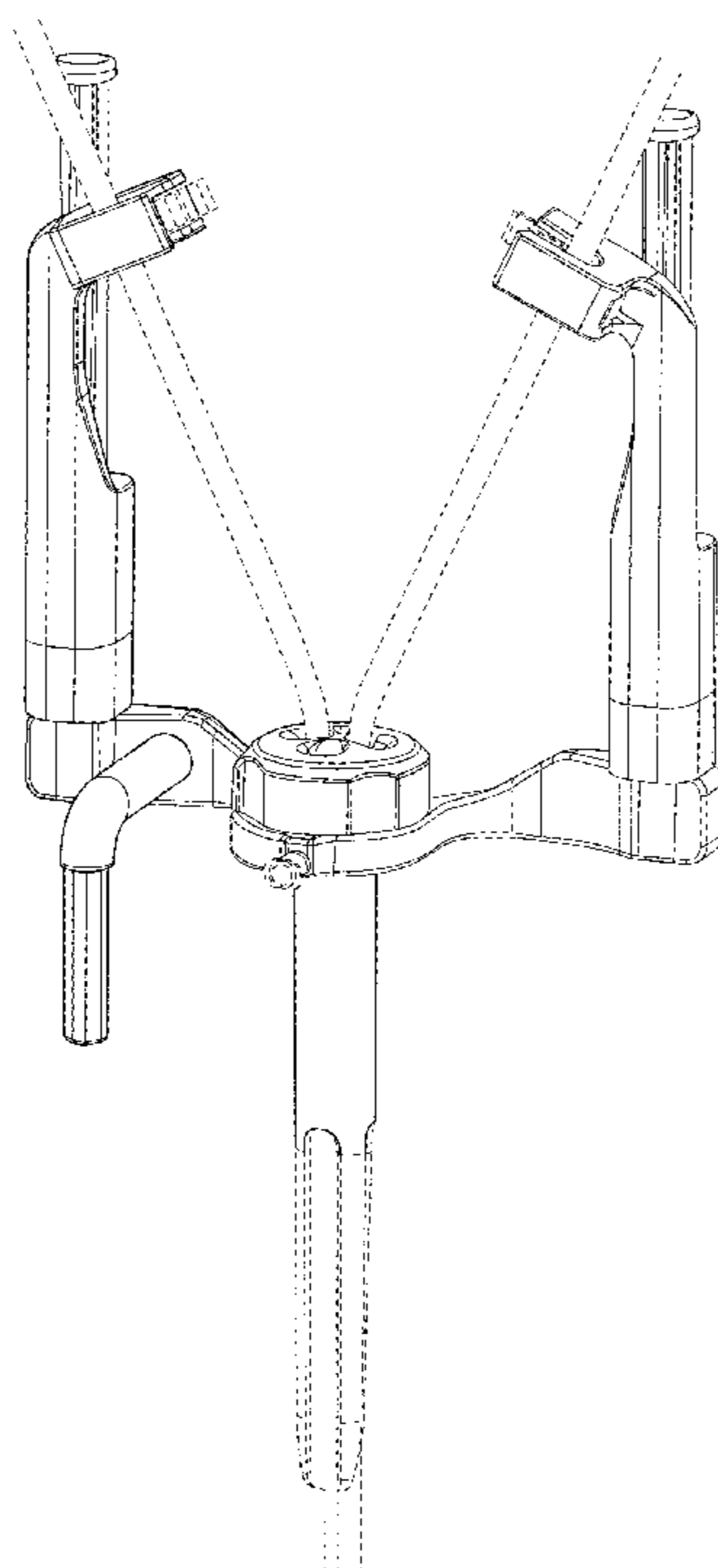
(56) **References Cited**

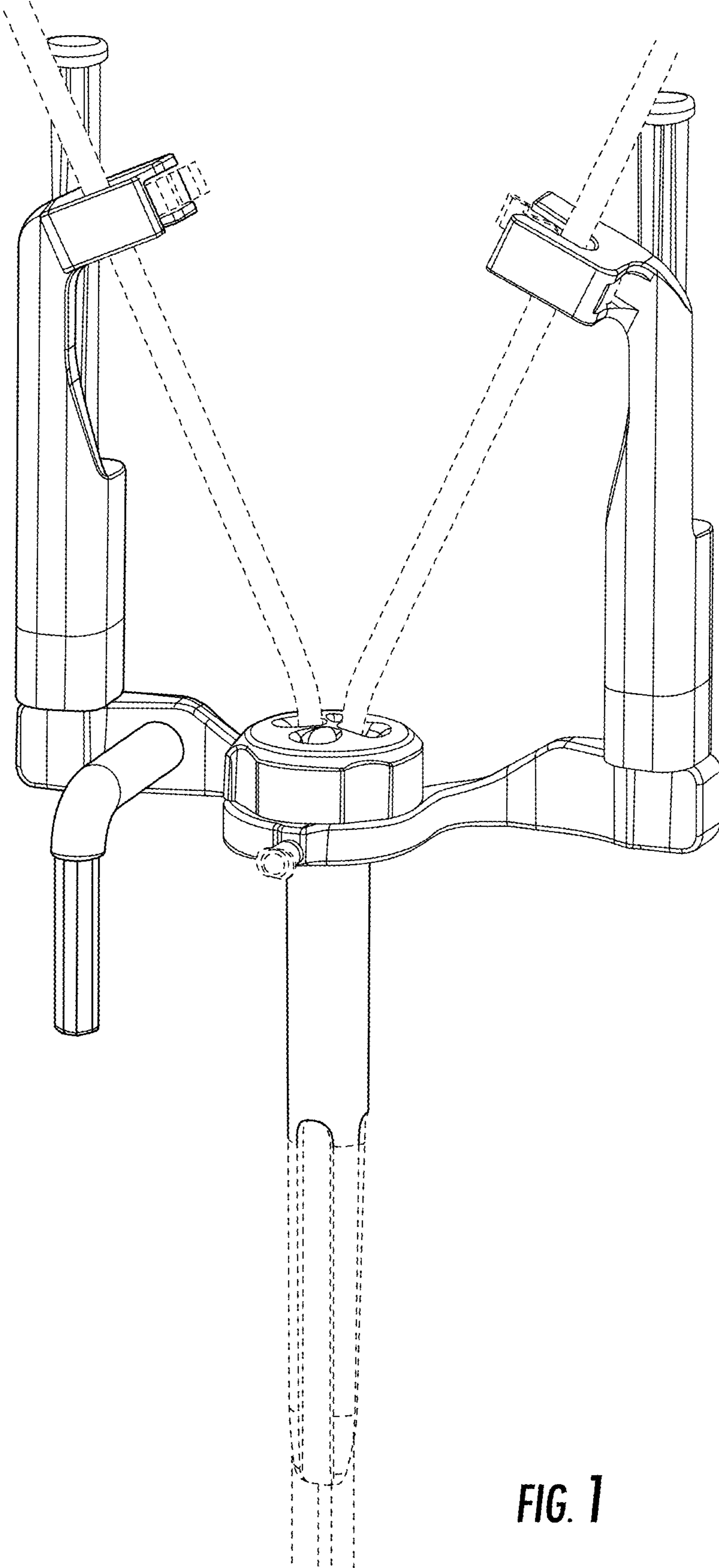
**U.S. PATENT DOCUMENTS**

5,722,962 A \* 3/1998 Garcia ..... A61B 17/34  
604/264  
6,383,162 B1 \* 5/2002 Sugarbaker ..... A61H 35/00  
600/201

FIG. 1 is a perspective view, showing my new design;  
FIG. 2 is a front elevational view thereof;  
FIG. 3 is a rear view thereof;  
FIG. 4 is a left side view thereof;  
FIG. 5 is a right side view thereof;  
FIG. 6 is a bottom plan view thereof; and,  
FIG. 7 is a top plan view thereof.

**1 Claim, 7 Drawing Sheets**





**FIG. 1**

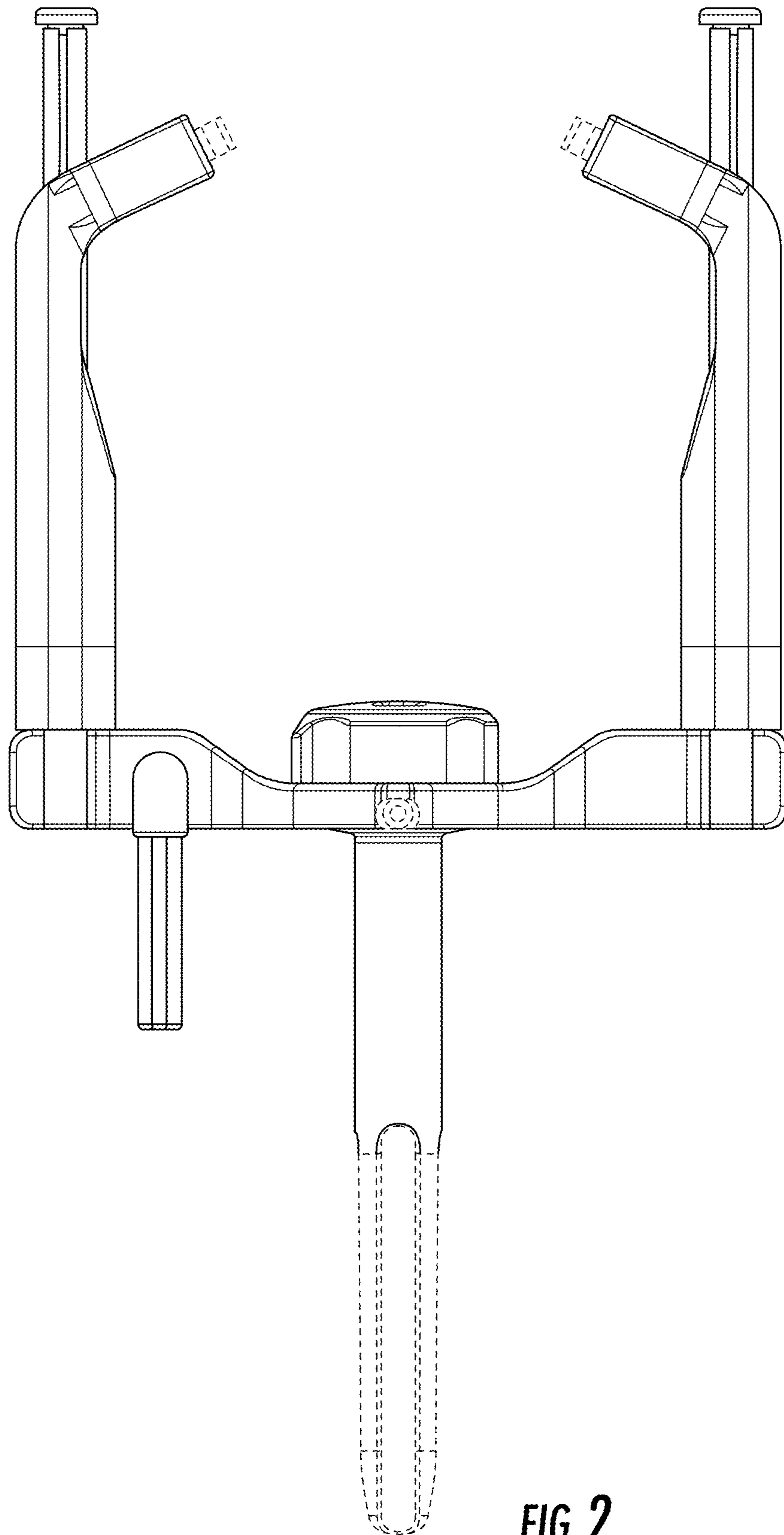


FIG. 2

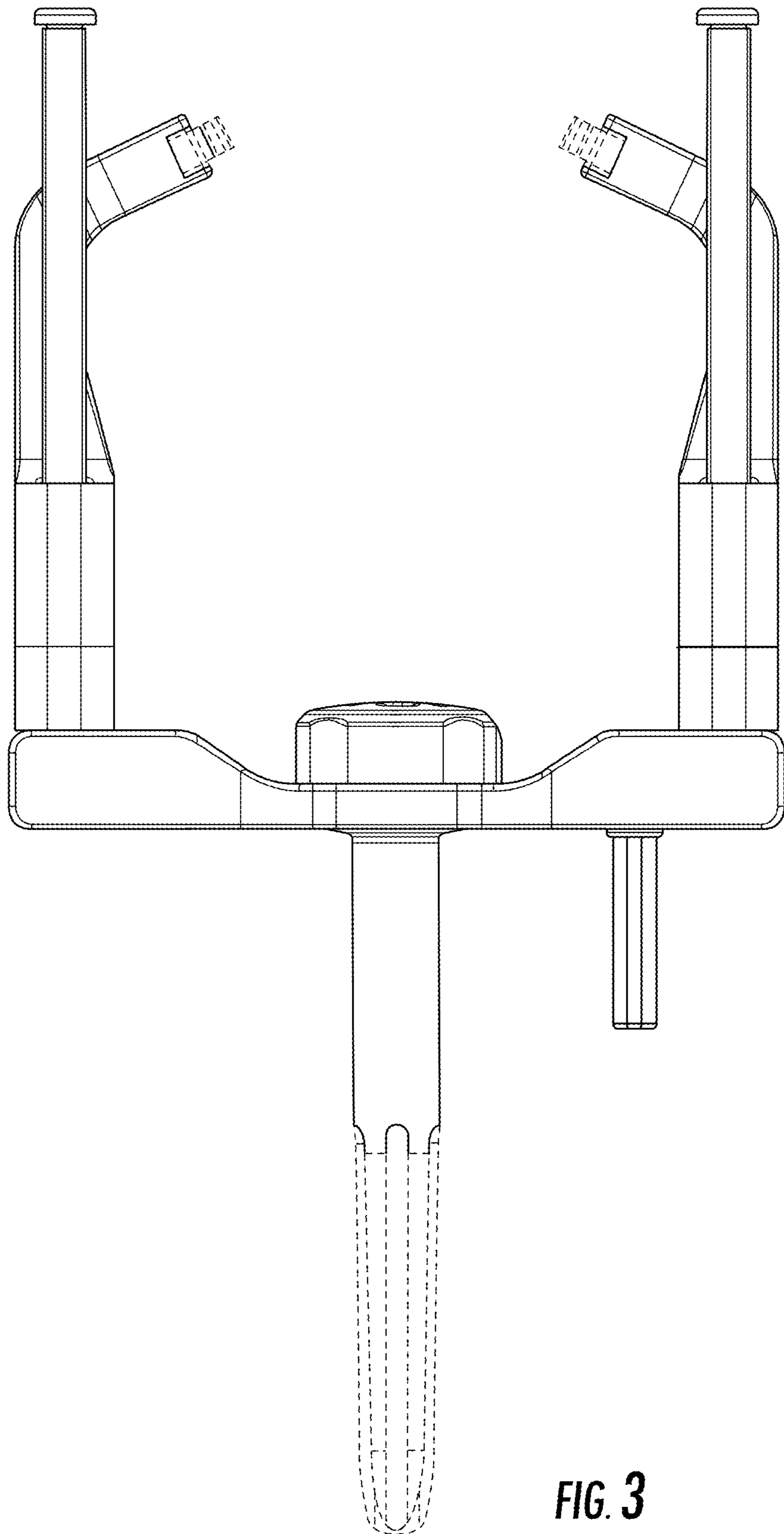


FIG. 3

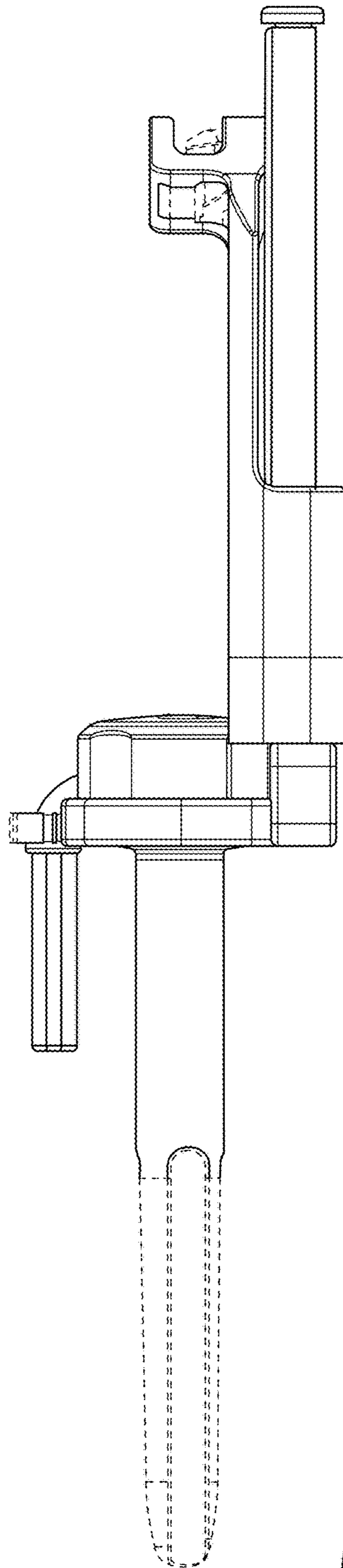


FIG. 4

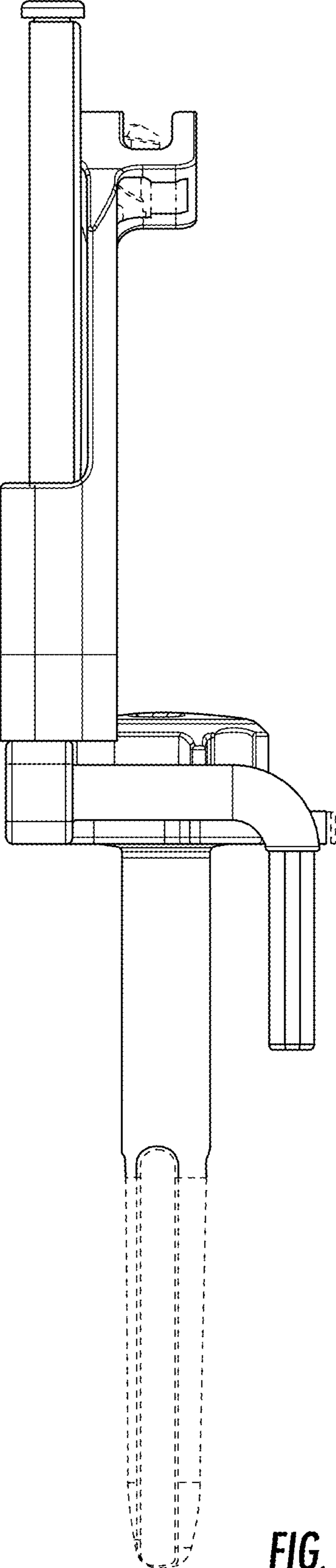


FIG. 5

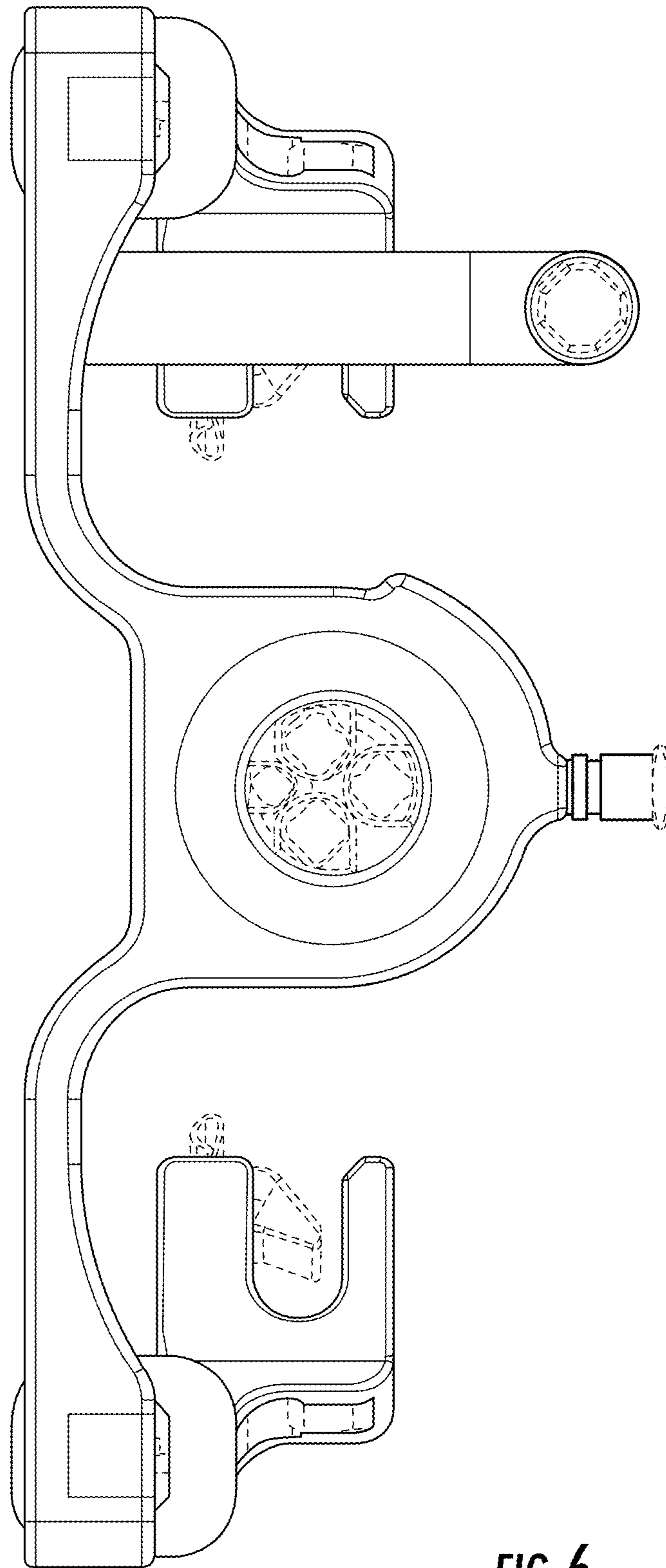


FIG. 6

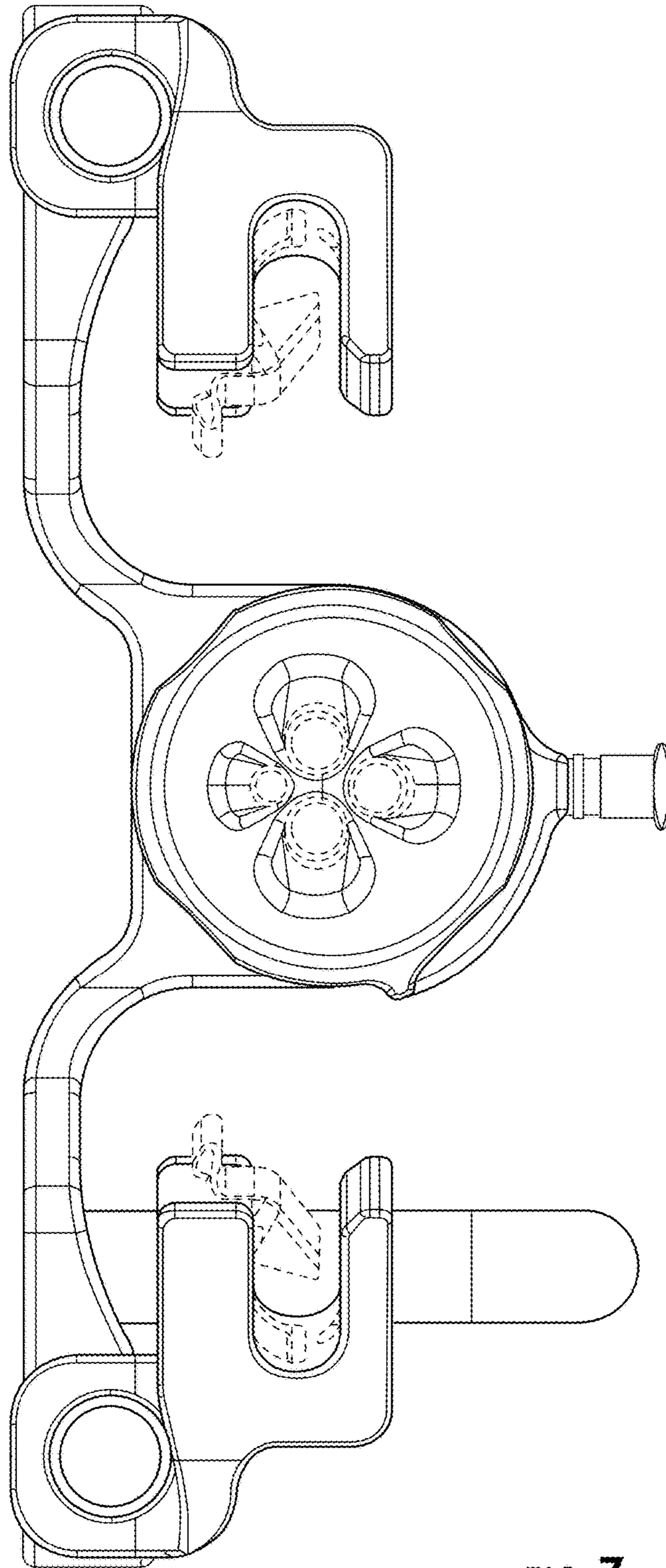


FIG. 7



UNITED STATES PATENT AND TRADEMARK OFFICE  
**CERTIFICATE OF CORRECTION**

PATENT NO. : D796,672 S  
APPLICATION NO. : 29/542348  
DATED : September 5, 2017  
INVENTOR(S) : Nijsten

Page 1 of 1

It is certified that error appears in the above-identified patent and that said Letters Patent is hereby corrected as shown below:

On the Title Page

Item [30] include the priority claim for 002679480-0001 filed April 13, 2015.

Signed and Sealed this  
Third Day of October, 2017



Joseph Matal  
*Performing the Functions and Duties of the  
Under Secretary of Commerce for Intellectual Property and  
Director of the United States Patent and Trademark Office*