



US00D796671S

(12) **United States Design Patent** (10) **Patent No.:** **US D796,671 S**
Khouri (45) **Date of Patent:** **** Sep. 5, 2017**

(54) **TISSUE MESHER**
(71) Applicant: **Roger Khouri**, Key Biscayne, FL (US)
(72) Inventor: **Roger Khouri**, Key Biscayne, FL (US)
(**) Term: **15 Years**
(21) Appl. No.: **29/552,402**
(22) Filed: **Jan. 21, 2016**
(51) **LOC (10) Cl.** **24-02**
(52) **U.S. Cl.**
USPC **D24/133**
(58) **Field of Classification Search**
USPC D24/133, 143, 131, 134; D22/107, 140;
D15/139; 606/132, 131, 133, 1; D8/309,
D8/1
CPC ... A61B 17/322; A91B 17/323; B25B 13/463;
B25B 2/004; B25B 23/0035; B25B
13/461; B25B 13/465; B25B 23/18;
B25G 1/043
See application file for complete search history.

8,474,351 B2 * 7/2013 Arnold B25B 13/463
81/61
D713,696 S * 9/2014 Adams D8/1
8,978,234 B2 * 3/2015 Sabir A61B 17/322
156/60
9,289,885 B2 * 3/2016 Kobayashi B25B 21/004
9,358,678 B2 * 6/2016 Lai B25G 1/043
D778,698 S * 2/2017 Huang D8/25
2004/0230215 A1 * 11/2004 Eriksson A61B 17/322
606/180
2013/0145596 A1 * 6/2013 Sabir A61B 17/322
29/428
2014/0107668 A1 * 4/2014 Zolotov A61B 17/322
606/132
2015/0032140 A1 1/2015 Khouri
2015/0032143 A1 1/2015 Khouri
(Continued)

Primary Examiner — Manpreet Matharu
Assistant Examiner — Yolanda Robinson
(74) *Attorney, Agent, or Firm* — Finnegan, Henderson,
Farabow, Garrett and Dunner

(57) **CLAIM**

The ornamental design for a tissue mesher, as shown and described.

DESCRIPTION

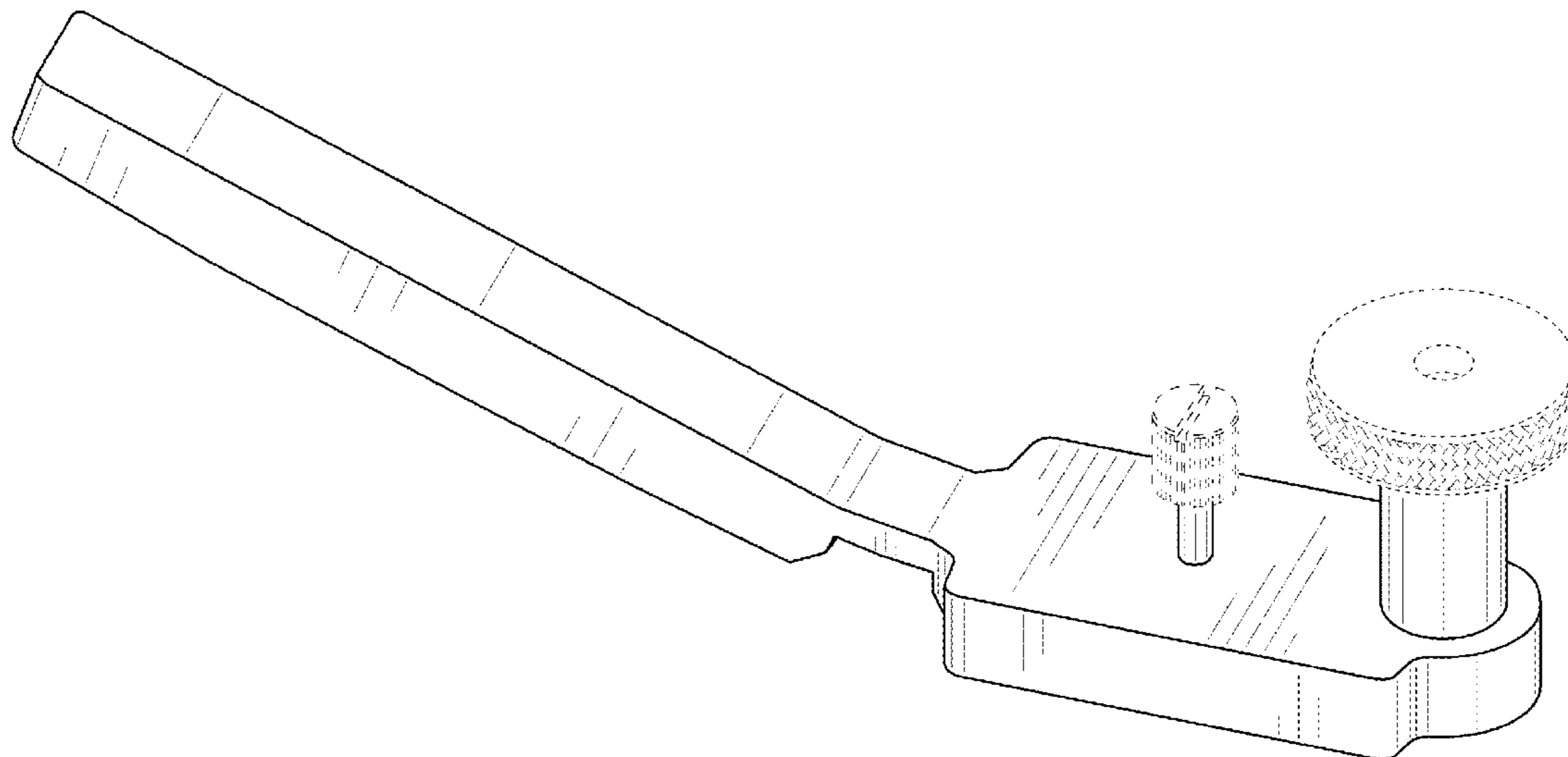
FIG. 1 is a top, front, right perspective view of a tissue mesher, showing my new design;
FIG. 2 is a bottom, front, left perspective view thereof;
FIG. 3 is a rear elevation view thereof;
FIG. 4 is a front elevation view thereof;
FIG. 5 is a top plan view thereof;
FIG. 6 is a bottom plan view thereof;
FIG. 7 is right side view thereof; and,
FIG. 8 is left side view thereof.
The broken lines of even length shown in the drawings illustrate portions of the tissue mesher that form no part of the claimed design. The knurling forms no part of the claimed design.

1 Claim, 7 Drawing Sheets

(56) **References Cited**

U.S. PATENT DOCUMENTS

3,472,228 A * 10/1969 Tanner, Jr. A61B 17/322
606/132
5,004,468 A * 4/1991 Atkinson A61B 17/322
606/132
5,219,352 A * 6/1993 Atkinson A61B 17/322
606/132
D443,018 S * 5/2001 Kang D22/140
D451,781 S * 12/2001 Vande Steeg D8/309
D475,253 S * 6/2003 Yip D7/666
D523,320 S * 6/2006 Bertani D8/309
D537,108 S * 2/2007 Sezaki D18/34.5
D597,571 S * 8/2009 Darr D15/139
7,625,384 B2 * 12/2009 Eriksson A61B 17/322
606/132
D655,775 S * 3/2012 Shaffer D22/107



(56)

References Cited

U.S. PATENT DOCUMENTS

2015/0059531 A1* 3/2015 Ely B25B 21/004
81/57.39
2015/0101950 A1* 4/2015 Wirth B25B 23/0035
206/378
2015/0157450 A1 6/2015 Khouri
2015/0238212 A1* 8/2015 Sabir A61B 17/322
606/132
2015/0238213 A1* 8/2015 Zolotov A61B 17/322
606/132
2015/0273680 A1* 10/2015 Lai B25B 13/461
81/177.2
2015/0314426 A1* 11/2015 Chiang B25B 13/465
81/58.1
2016/0052112 A1* 2/2016 Lemley, Jr. B25B 23/18
362/119
2016/0214241 A1* 7/2016 Kao B25B 13/463
2016/0229042 A1* 8/2016 Shyu B25B 13/463
2016/0339568 A1* 11/2016 Hu B25B 21/004
2017/0057061 A1* 3/2017 Hu B25B 13/465
2017/0072543 A1* 3/2017 Taylor B25B 13/481

* cited by examiner

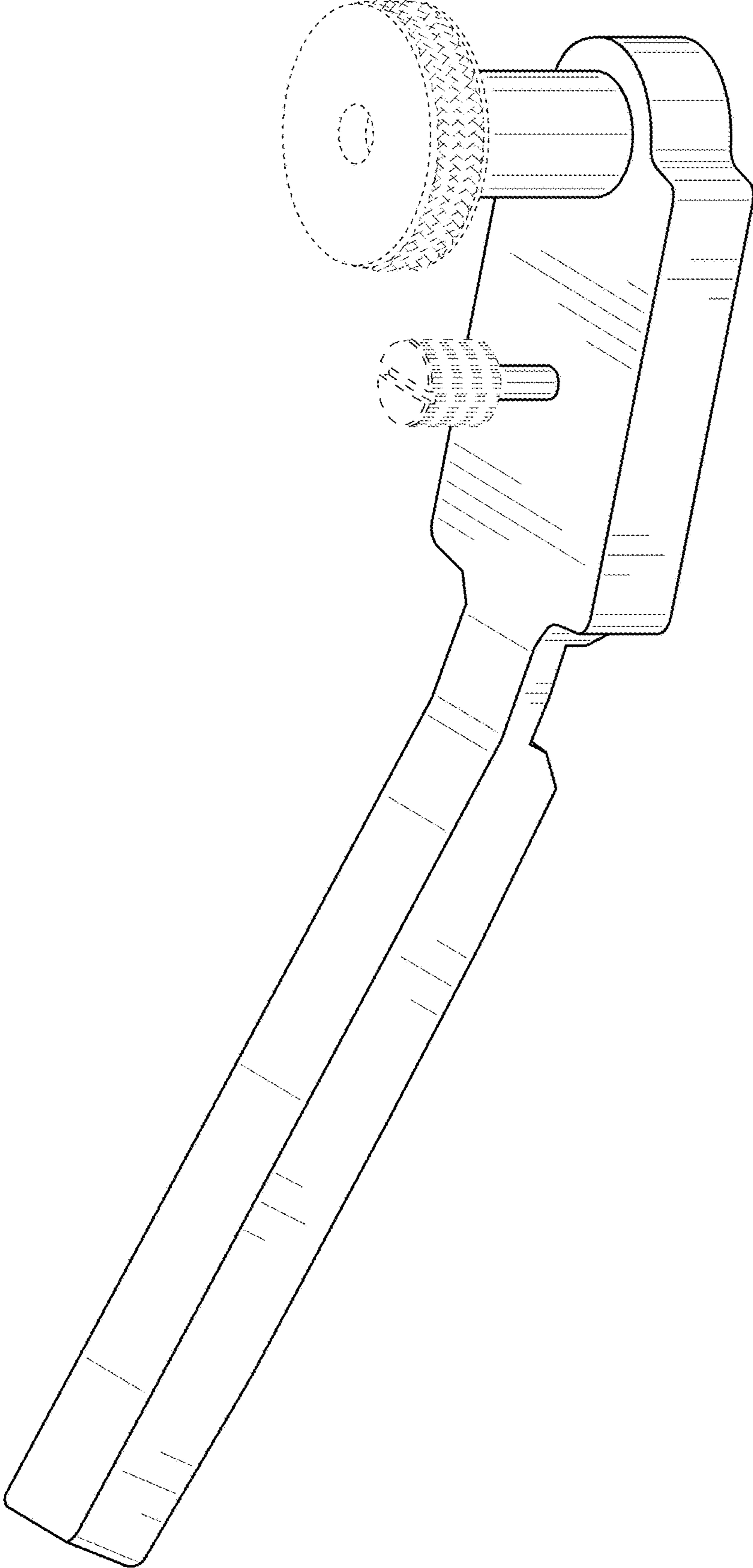


FIG. 1

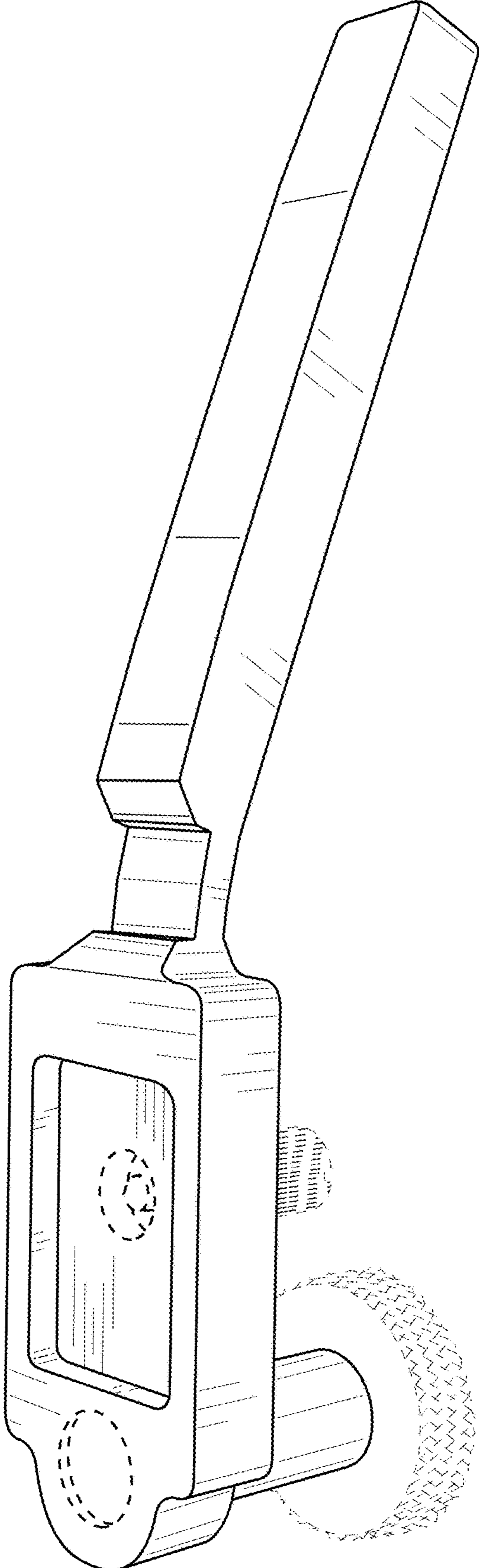


FIG. 2

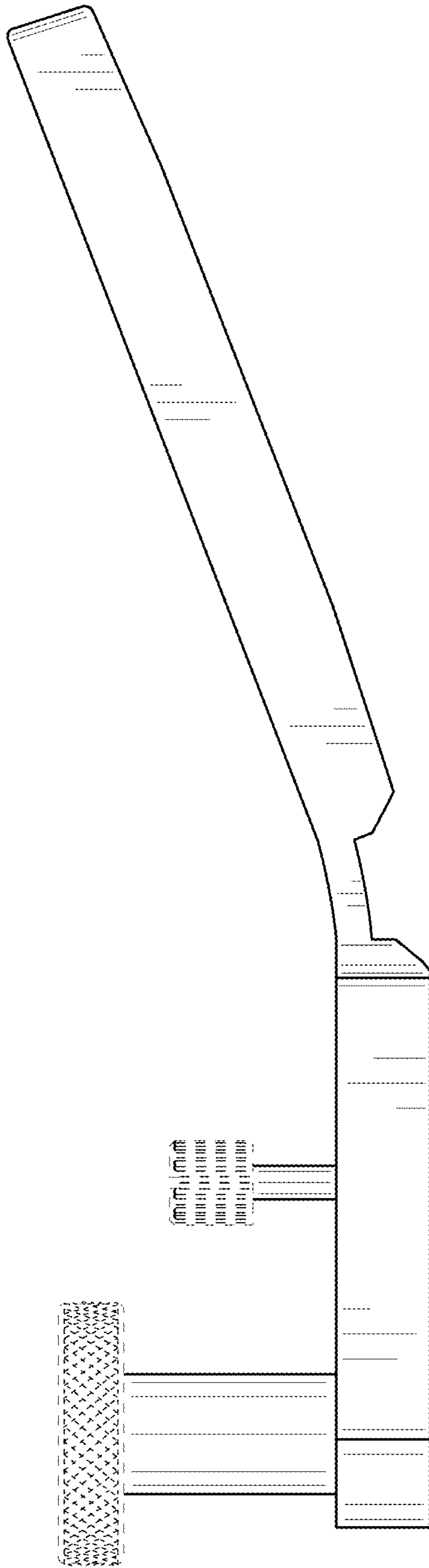


FIG. 3

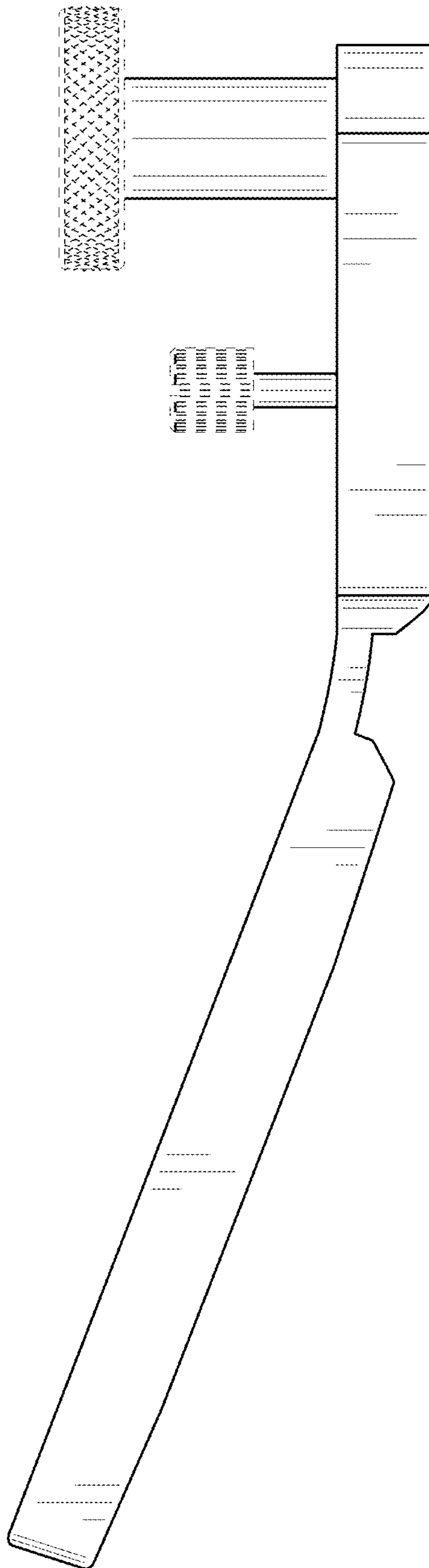


FIG. 4

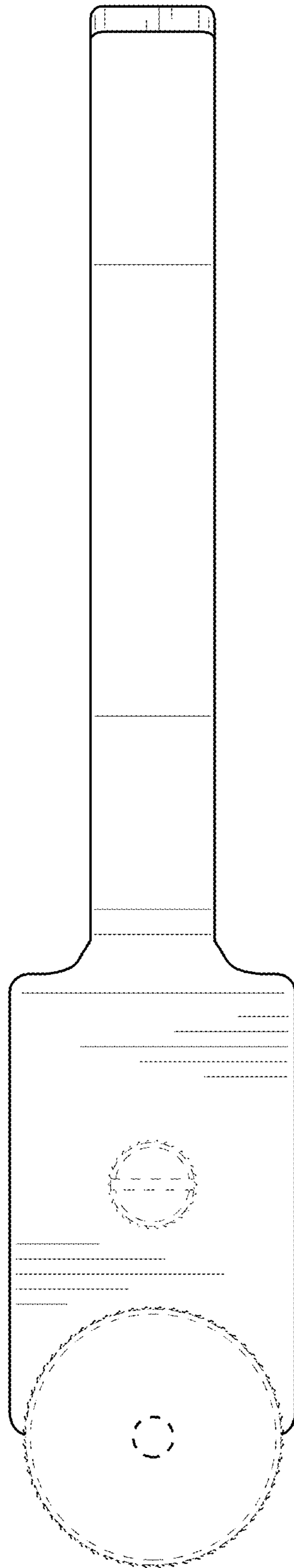


FIG. 5

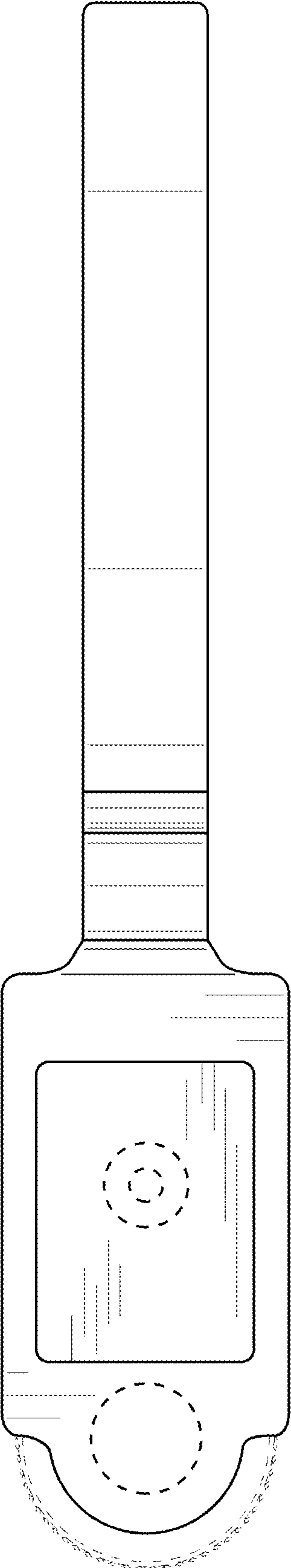


FIG. 6

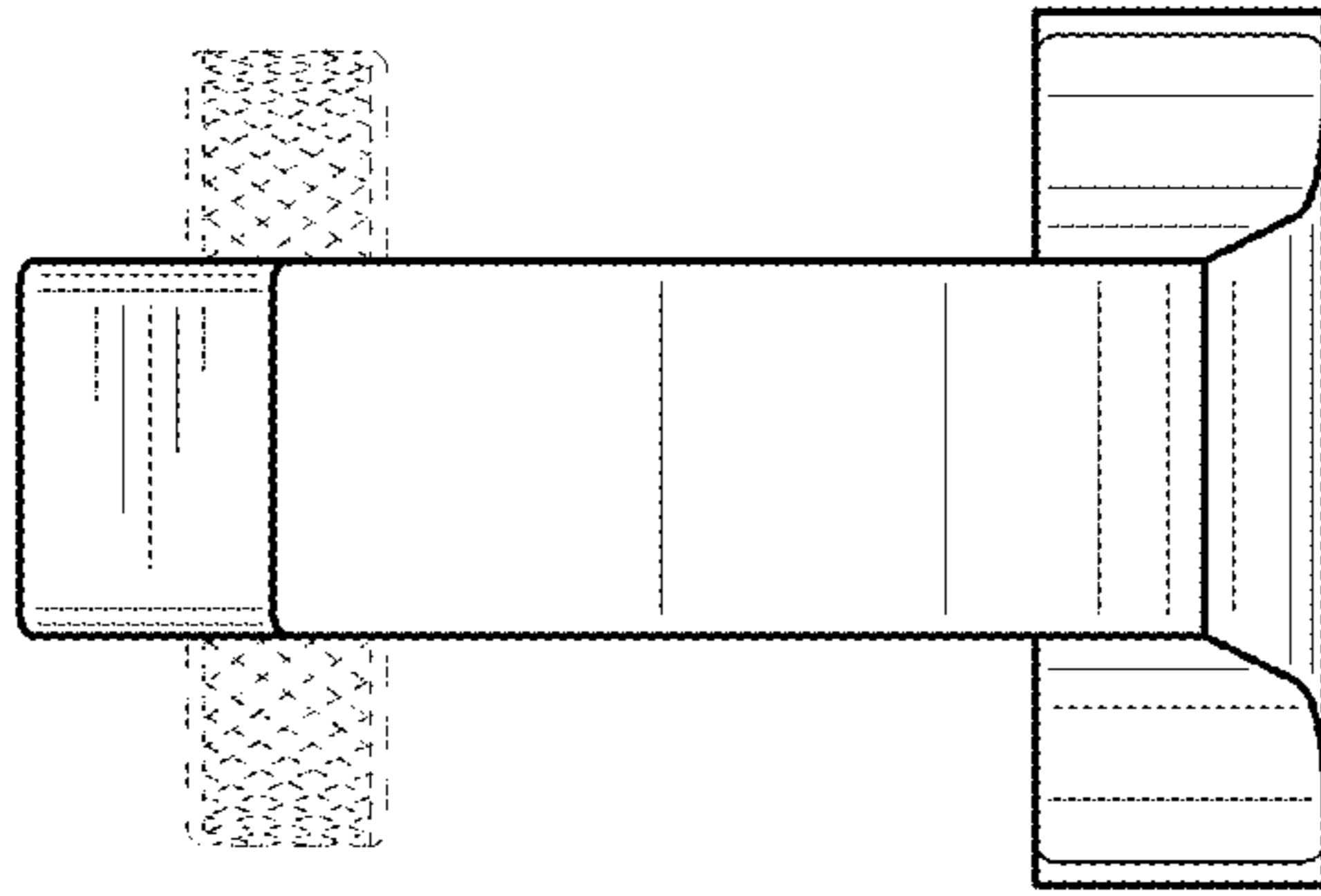


FIG. 8

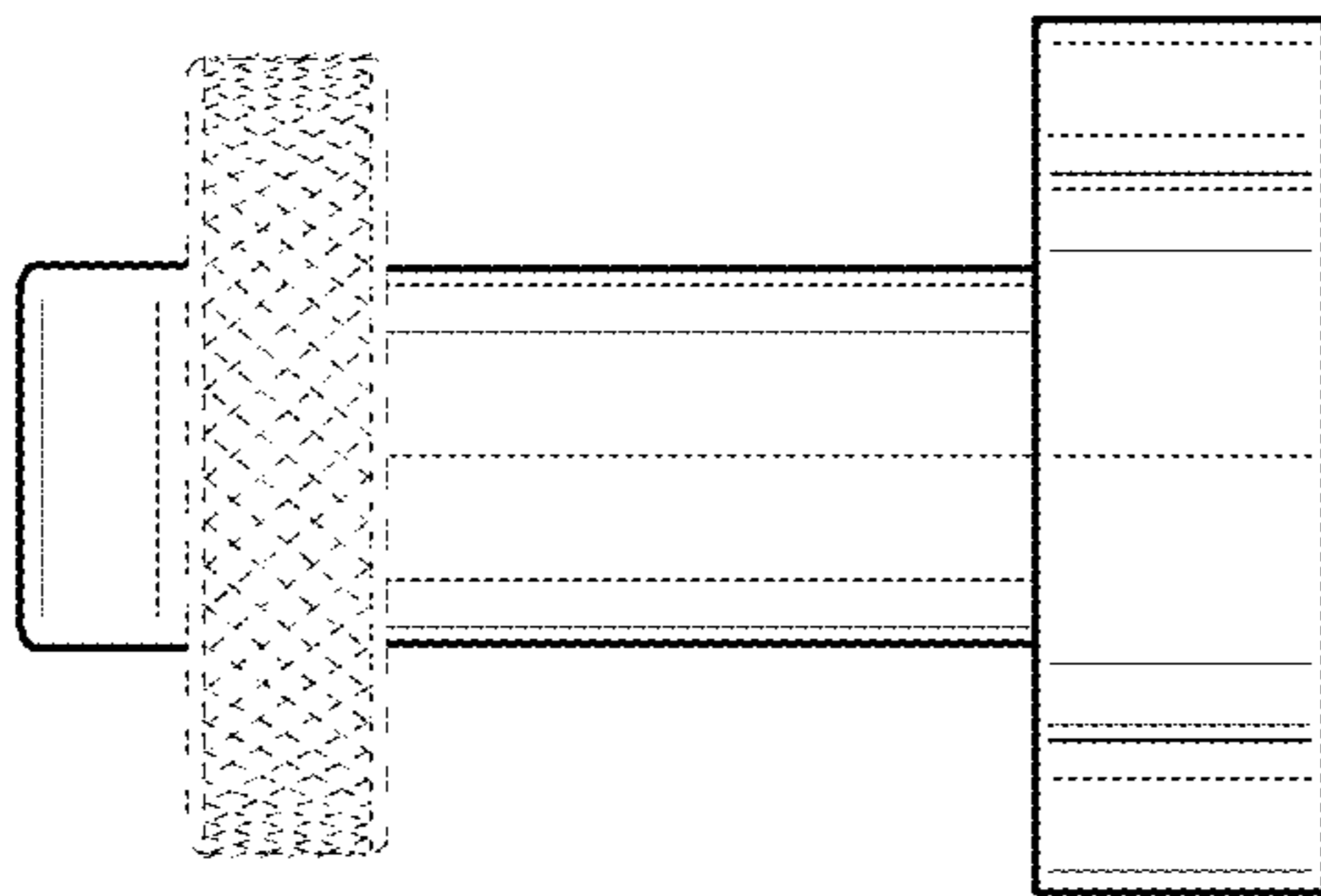


FIG. 7