



US00D796670S

(12) **United States Design Patent** (10) **Patent No.:** **US D796,670 S**
Dolk et al. (45) **Date of Patent:** **** Sep. 5, 2017**

(54) **SYRINGE PART**

(71) Applicant: **Q-MED AB**, Uppsala (SE)

(72) Inventors: **Jonas Dolk**, Uppsala (SE); **Hans Himbert**, Uppsala (SE); **Pelle Reinius**, Uppsala (SE)

(73) Assignee: **Q-MED AB**, Uppsala (SE)

(**) Term: **15 Years**

(21) Appl. No.: **29/562,937**

(22) Filed: **Apr. 29, 2016**

Related U.S. Application Data

(62) Division of application No. 29/475,140, filed on Nov. 29, 2013.

(30) **Foreign Application Priority Data**

Jun. 17, 2013 (EM) 002256255

(51) **LOC (10) Cl.** **24-01**

(52) **U.S. Cl.**
USPC **D24/130**

(58) **Field of Classification Search**
USPC D24/112-114, 133, 186, 104, 130, 127;
606/181, 185; 604/264, 272, 115, 232,
604/187, 158, 164.08, 192, 263, 163, 181,
604/184, 198, 227
CPC A61M 5/31596; A61M 2005/1787; A61M
2005/31508; A61M 5/31511; A61M
2005/3121; A61M 2005/31598; A61M
2005/3123
See application file for complete search history.

(56) **References Cited**

U.S. PATENT DOCUMENTS

D287,877 S 1/1987 Holewinski et al.
5,607,399 A * 3/1997 Grimard A61M 5/315
604/220

D397,790 S 9/1998 Naganuma
D401,324 S 11/1998 Hjertman et al.
D425,198 S 5/2000 Porta
D436,661 S 1/2001 Berry
D447,797 S * 9/2001 Odell D24/112
6,425,885 B1 7/2002 Fischer et al.
6,530,906 B2 3/2003 Hu
D543,278 S 5/2007 Numata et al.
D574,954 S 8/2008 Smith
D581,044 S 11/2008 Sudo et al.
D581,527 S 11/2008 Jansen
D618,347 S 6/2010 Bradshaw
D627,877 S 11/2010 Schmelling et al.
D651,309 S 12/2011 Rowe et al.
D657,867 S 4/2012 Effenberger
D668,760 S 10/2012 Kawamura

(Continued)

Primary Examiner — David Muller

Assistant Examiner — Nathan Johnston

(74) *Attorney, Agent, or Firm* — Birch, Stewart, Kolasch & Birch, LLP

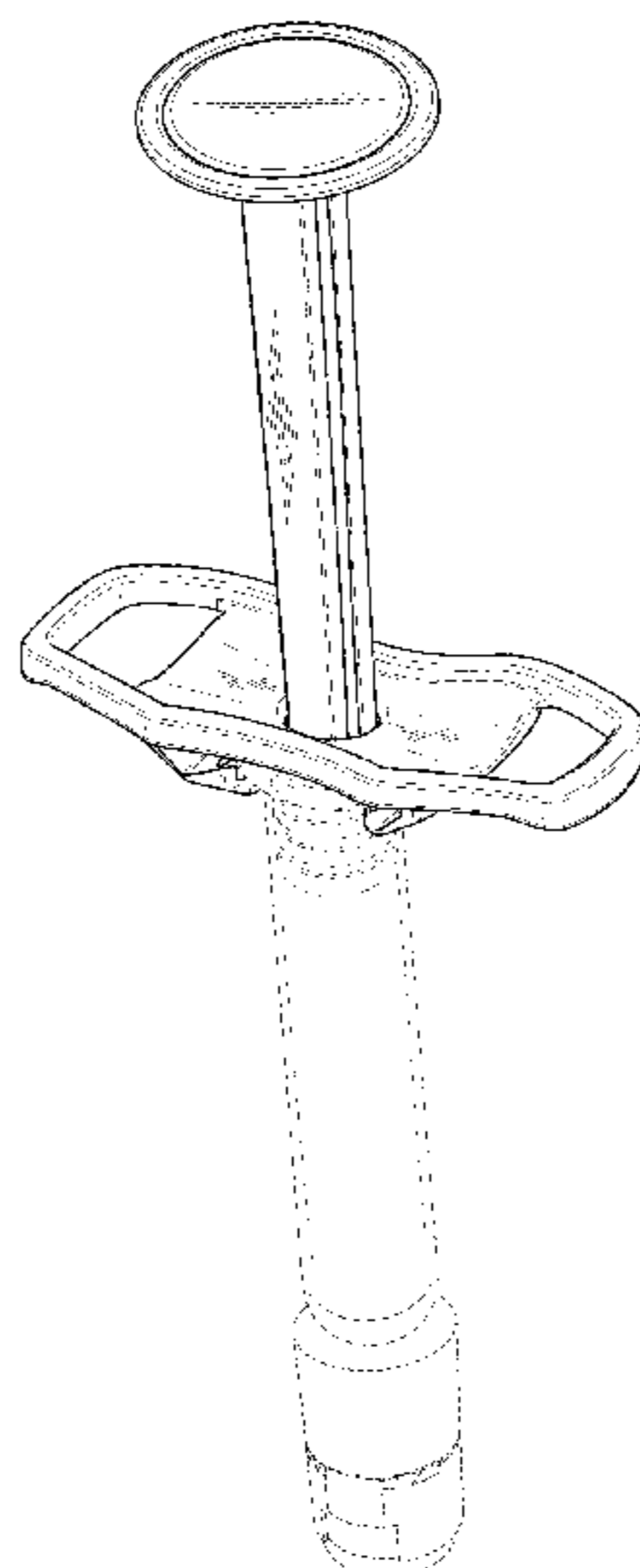
(57) **CLAIM**

The ornamental design for a syringe part, as shown and described.

DESCRIPTION

FIG. 1 is a top, front, right perspective view of a syringe part showing our new design;
FIG. 2 is a rear elevation view thereof;
FIG. 3 is a front elevation view thereof;
FIG. 4 is a bottom plan view thereof;
FIG. 5 is a top plan view thereof;
FIG. 6 is a right side elevation view thereof; and,
FIG. 7 is a left side elevation view thereof.
The portions of the drawings illustrated in broken lines are directed to the environment and form no part of the claimed design.

1 Claim, 7 Drawing Sheets



(56)

References Cited

U.S. PATENT DOCUMENTS

8,337,468	B1	12/2012	Reis et al.	
D674,086	S	1/2013	Khalaj	
D689,188	S	9/2013	Lundquist	
D698,918	S	2/2014	Leiner et al.	
D717,429	S	11/2014	Kawamura	
D721,803	S	1/2015	Dubach	
D741,476	S *	10/2015	Hiraoka	D24/114
D743,025	S *	11/2015	Berler	D24/114
9,289,562	B2 *	3/2016	Thorne, Jr.	A61M 5/31596
9,345,866	B2 *	5/2016	Kubo	A61M 15/08
2006/0084917	A1	4/2006	Chen	
2013/0096493	A1 *	4/2013	Kubo	A61M 3/0262 604/58
2013/0116628	A1	5/2013	Kulshrestha et al.	
2013/0237928	A1 *	9/2013	Fisher	A61M 5/158 604/263
2014/0005610	A1 *	1/2014	Kakiuchi	A61M 5/284 604/224
2015/0018798	A1	1/2015	Törnsten	
2015/0073353	A1	3/2015	Strader	
2016/0038682	A1 *	2/2016	Tornsten	A61M 5/31595 604/227
2016/0166770	A1 *	6/2016	Salas	A61M 5/3137 604/192
2016/0184529	A1 *	6/2016	Okihara	A61M 5/28 604/199
2016/0325047	A1 *	11/2016	Vedrine	A61M 5/24

* cited by examiner

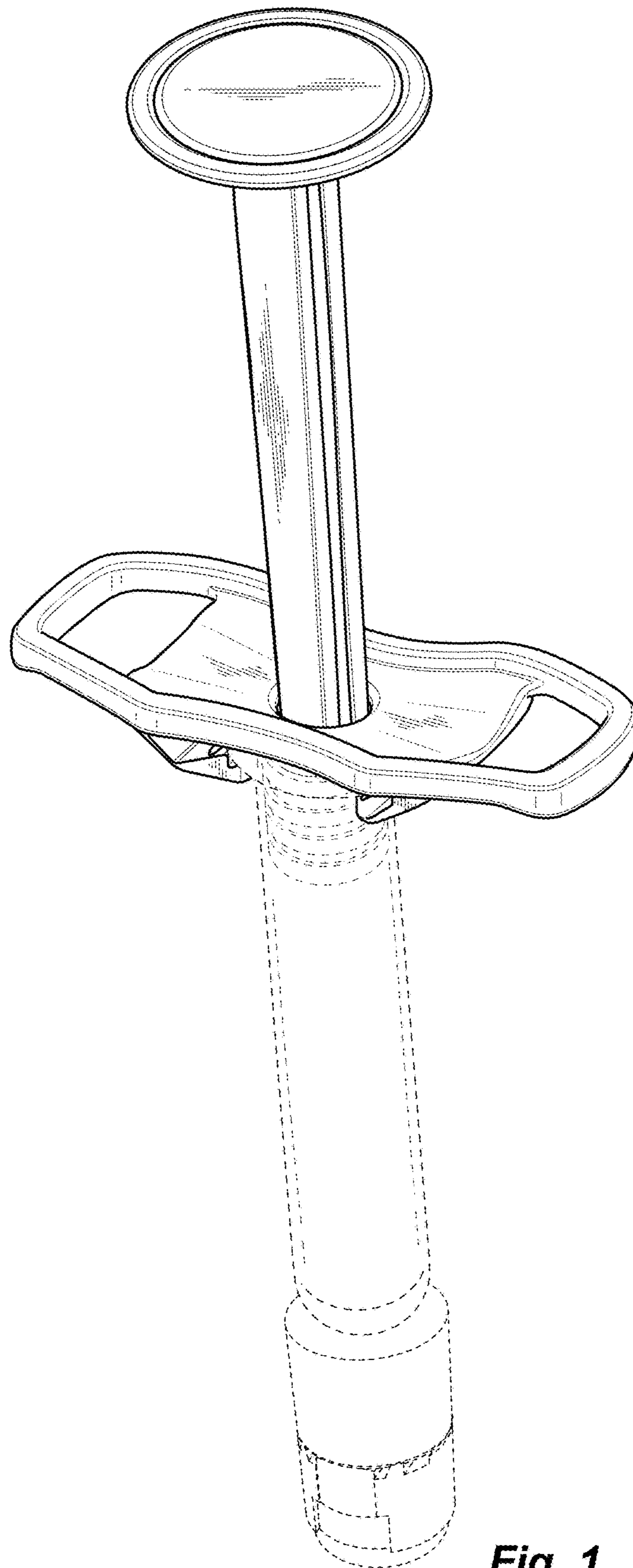


Fig. 1

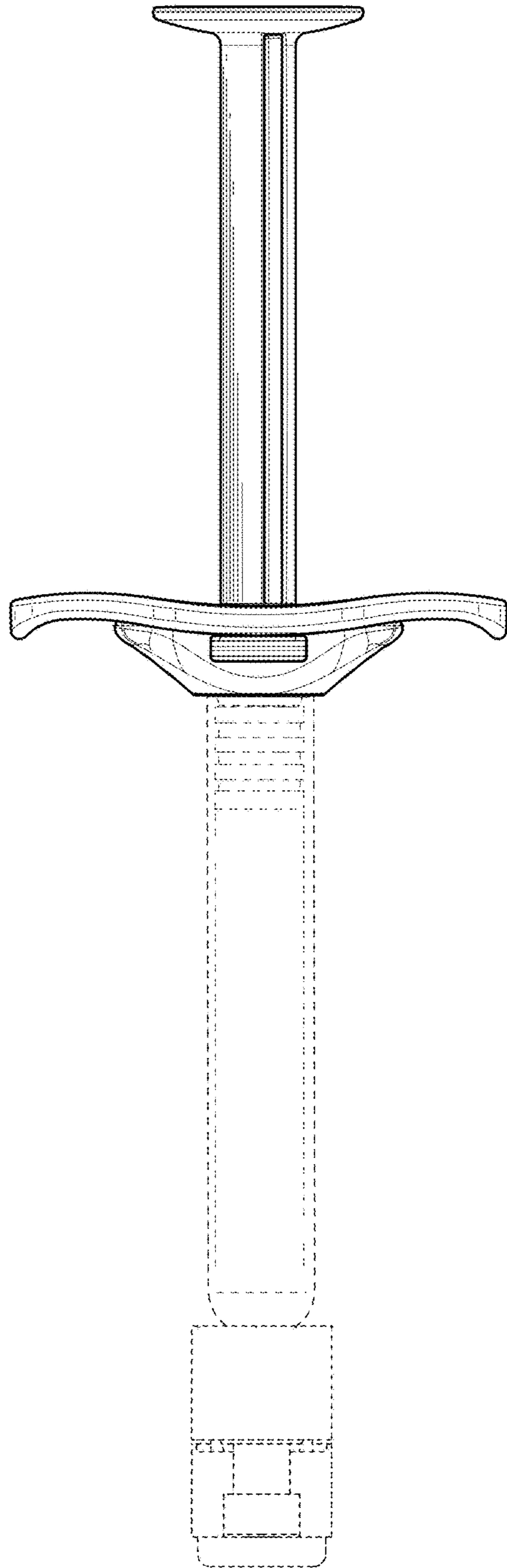


Fig. 2

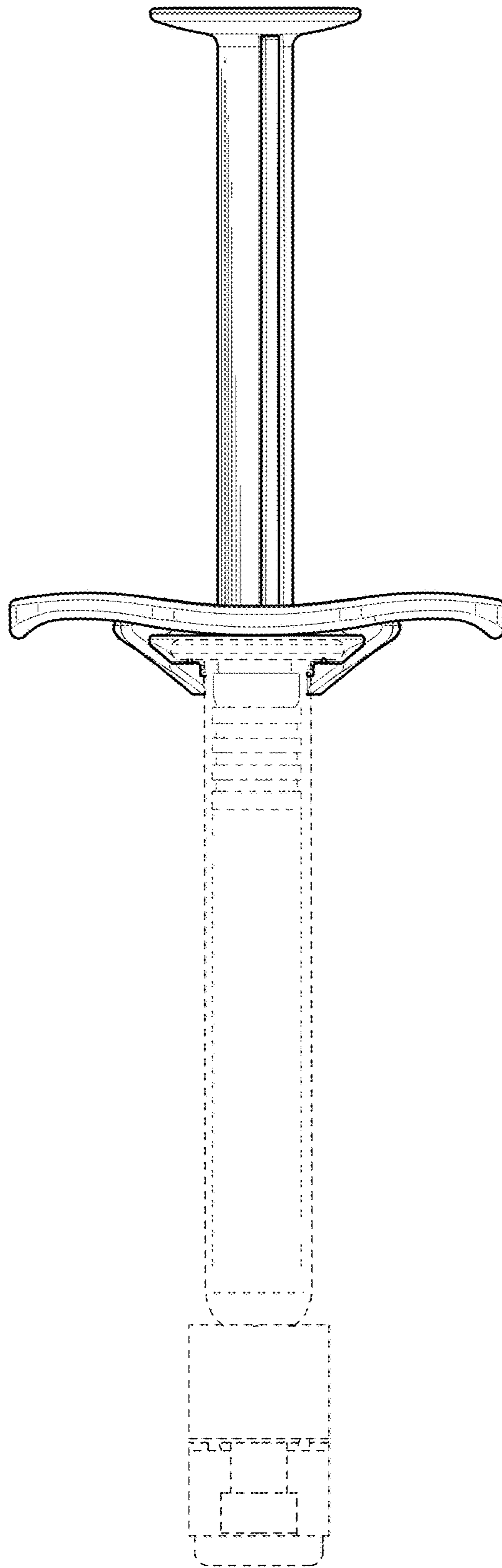


Fig. 3

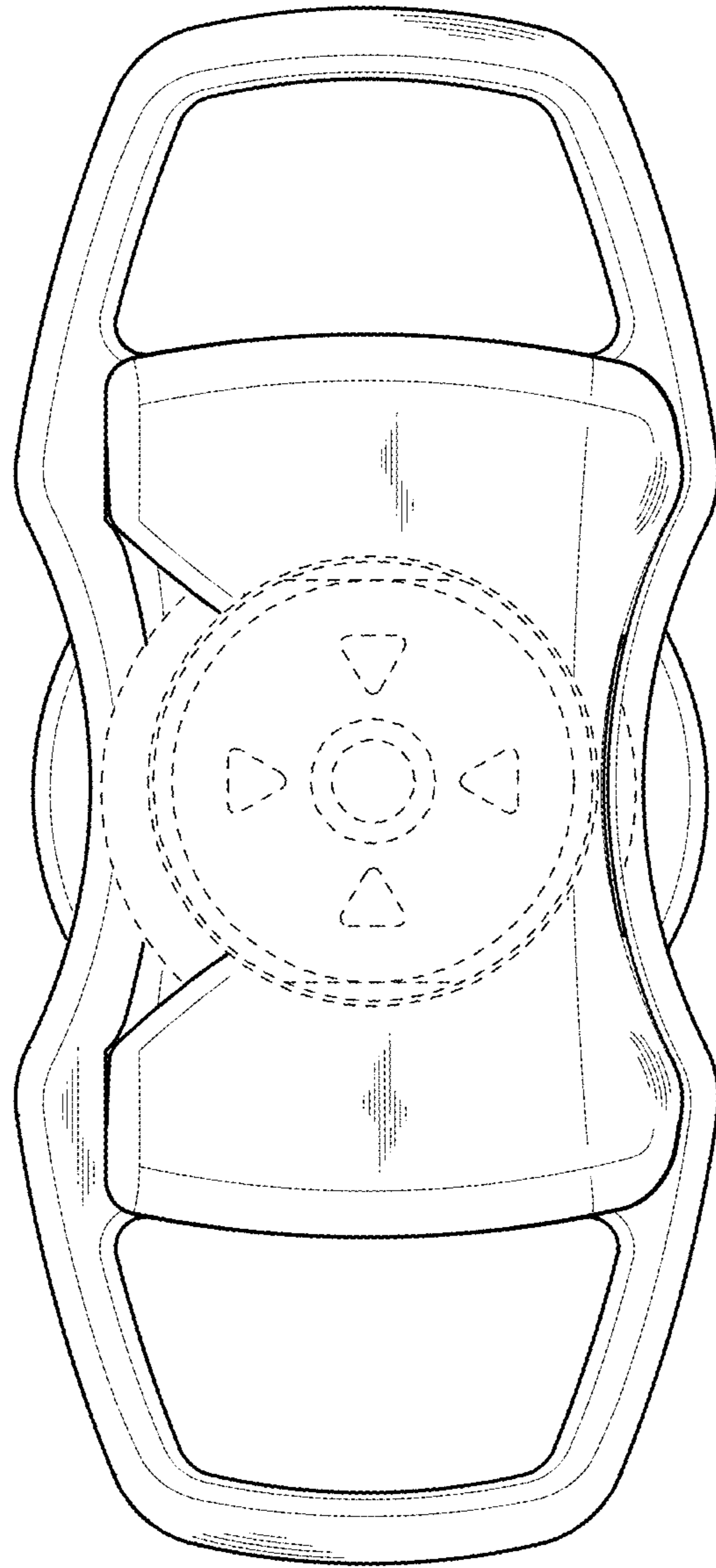


Fig. 4

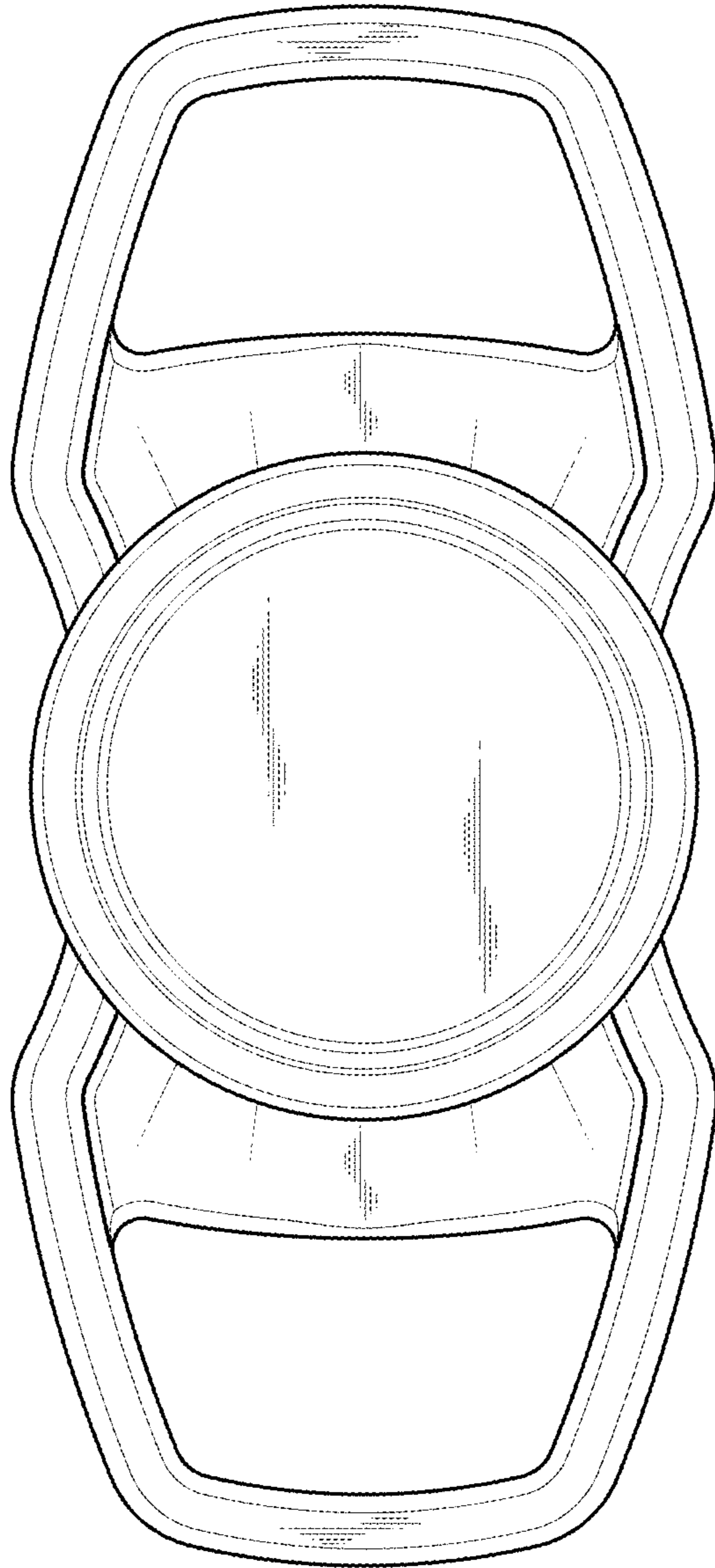


Fig. 5

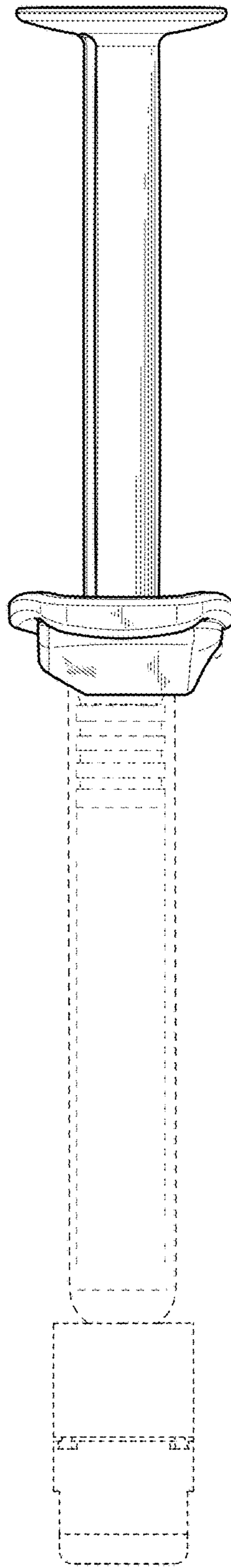


Fig. 6

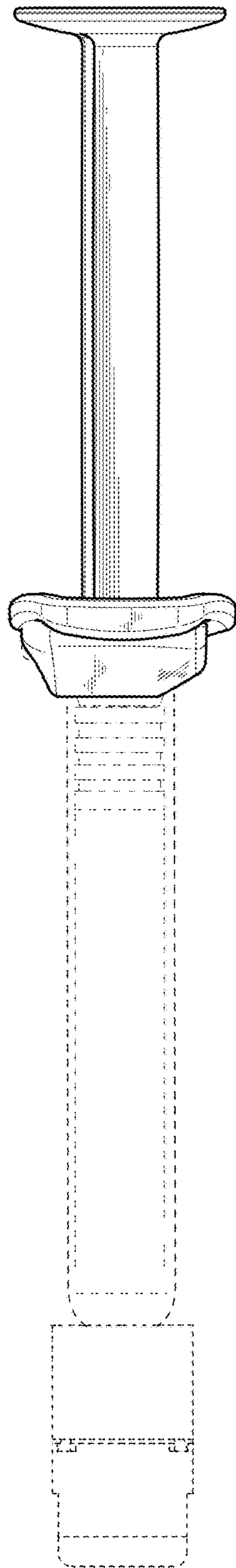


Fig. 7