



US00D796663S

(12) **United States Design Patent**  
**Mitchell**

(10) **Patent No.:** **US D796,663 S**

(45) **Date of Patent:** **\*\* Sep. 5, 2017**

(54) **PIPE BOOT COVER**

(71) Applicant: **Jeffrey L. Mitchell**, Burlington, NC  
(US)

(72) Inventor: **Jeffrey L. Mitchell**, Burlington, NC  
(US)

(\*\*) Term: **15 Years**

(21) Appl. No.: **29/546,048**

(22) Filed: **Nov. 18, 2015**

**Related U.S. Application Data**

(63) Continuation of application No. 14/794,198, filed on  
Jul. 8, 2015, now abandoned.

(51) **LOC (10) Cl.** ..... **23-04**

(52) **U.S. Cl.**  
USPC ..... **D23/393**

(58) **Field of Classification Search**

USPC ..... D23/328, 341, 358, 386, 393, 394, 499;  
D26/9, 10, 12, 13, 15, 16, 24, 51, 61, 72,  
D26/76, 80, 81, 85, 86, 88, 90, 113, 118,  
D26/119, 120, 122, 128, 129, 138, 143,  
D26/144  
CPC . E04D 13/143; E04D 13/147; E04D 13/1476;  
E04D 13/17; E04D 13/0409; E04D  
2013/0436; E04D 13/033; E04D  
2001/307; F24F 7/02; B60Q 1/04; B60Q  
1/26; F21S 8/026; F21S 8/04; F21V  
29/004; F21V 21/02; F21V 21/04; F21V  
29/2212; F21Y 2101/02

See application file for complete search history.

(56) **References Cited**

**U.S. PATENT DOCUMENTS**

4,392 A \* 3/1846 Chase ..... F24F 7/02  
454/9  
1,686,881 A 10/1928 Stephenson

3,163,101 A 12/1964 Caparrelli  
3,602,530 A 8/1971 Elwart  
4,123,001 A \* 10/1978 Kolt ..... F24F 7/02  
236/49.5  
4,437,687 A 3/1984 Wilson  
4,490,952 A \* 1/1985 Winston ..... E04B 1/7069  
52/199  
4,843,794 A 7/1989 Holtgreve  
5,226,263 A 7/1993 Merrin et al.  
5,245,804 A 9/1993 Schiedegger et al.  
6,165,357 A \* 12/2000 Cormier ..... E04D 13/0409  
210/163  
6,244,006 B1 6/2001 Shue et al.  
D449,129 S \* 10/2001 Hoffbauer ..... D26/128  
D567,873 S \* 4/2008 Stead ..... D20/10  
D567,988 S \* 4/2008 Lissoni ..... D26/88

(Continued)

**OTHER PUBLICATIONS**

Number 7 Round Base Red Silicone Pipe Flashing, image post date  
Sep. 9, 2015, site visited May 27, 2017, (online), <<http://www.bestmaterials.com/detail.aspx?ID=16552>>.\*

(Continued)

*Primary Examiner* — Kevin Rudzinski  
*Assistant Examiner* — Sean D Lough  
(74) *Attorney, Agent, or Firm* — Tuggle Duggins P.A.;  
Blake Hurt

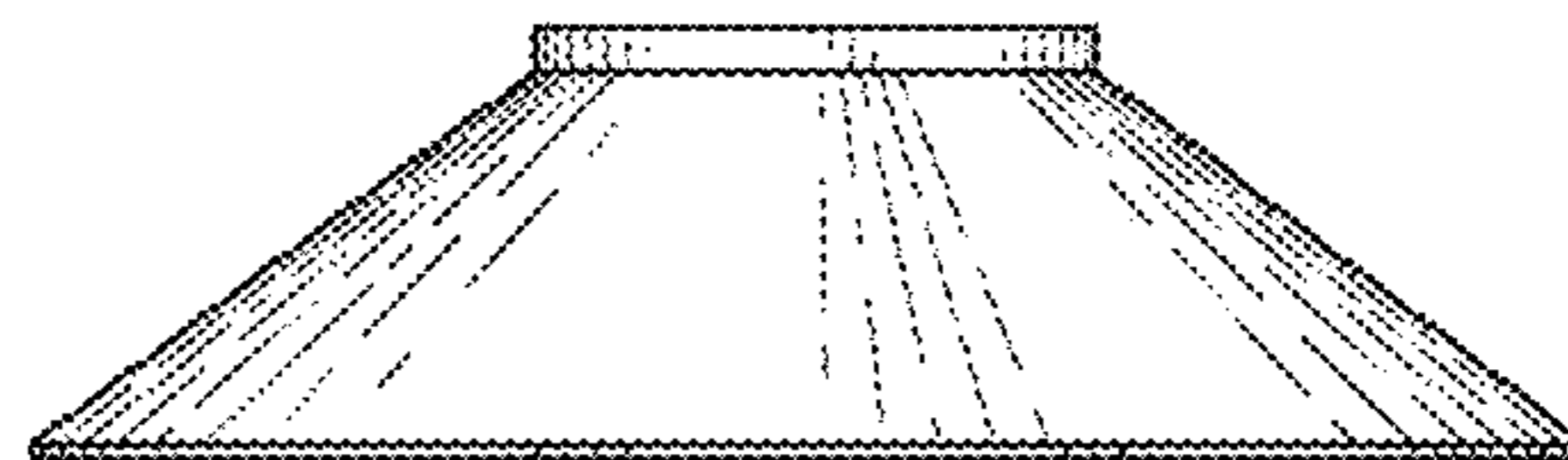
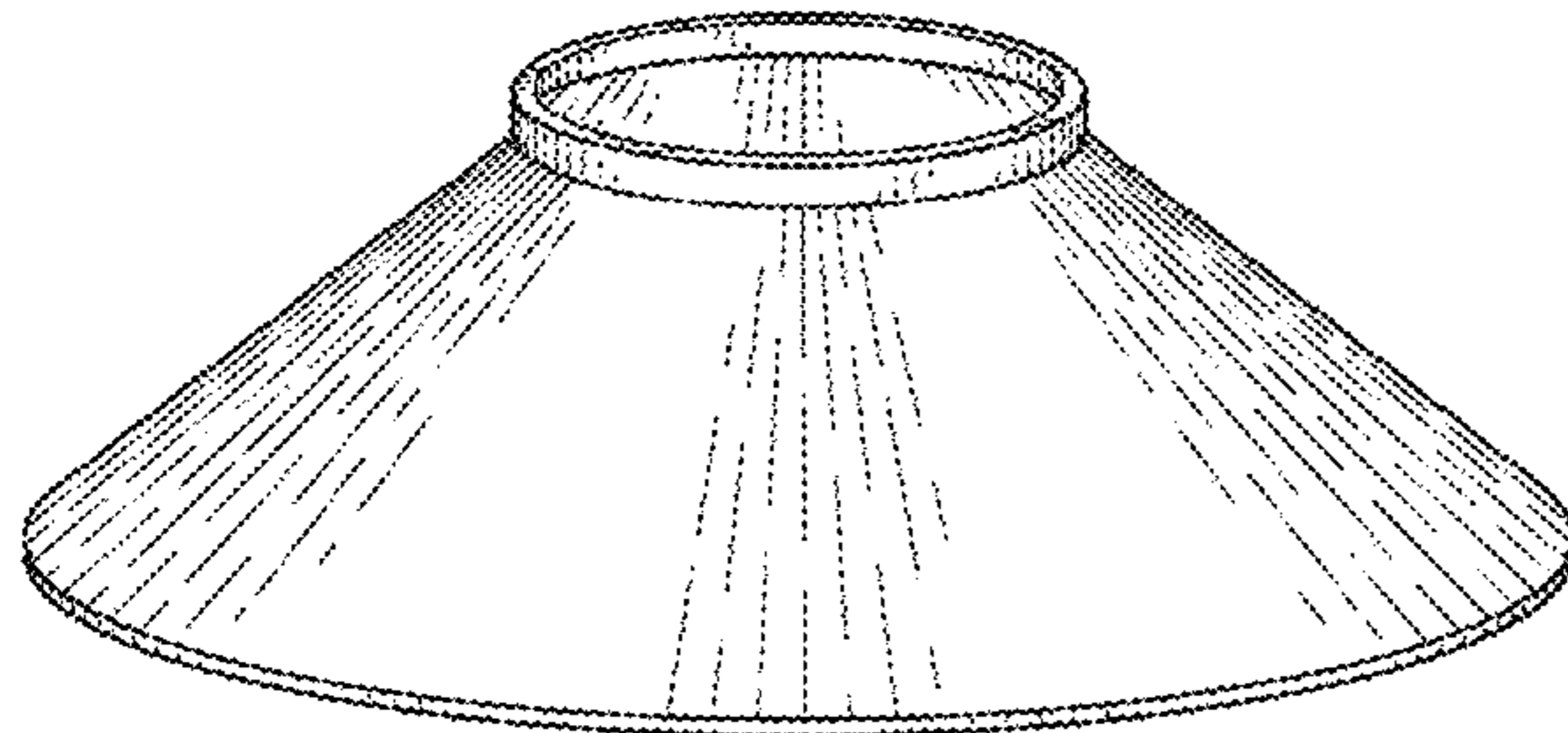
(57) **CLAIM**

The ornamental design for a pipe boot cover, as shown and  
described.

**DESCRIPTION**

FIG. 1 is an elevated side perspective view of a pipe boot  
cover showing my new design;  
FIG. 2 is an elevated side view thereof, the opposite, front,  
and rear side views all being a mirror image thereof;  
FIG. 3 depicts a top plan view thereof; and,  
FIG. 4 demonstrates a bottom plan view thereof.

**1 Claim, 2 Drawing Sheets**



(56)

References Cited

U.S. PATENT DOCUMENTS

D576,339 S \* 9/2008 Porter ..... D26/80  
 D616,129 S \* 5/2010 Sanoner ..... D26/67  
 D629,951 S \* 12/2010 Sooferian ..... D26/68  
 8,272,186 B2 9/2012 Manning  
 D675,723 S \* 2/2013 Garcia ..... D23/393  
 8,490,351 B1 7/2013 Scott  
 D698,062 S \* 1/2014 Burke ..... D26/67  
 D700,386 S \* 2/2014 Burke ..... D26/67  
 D705,978 S \* 5/2014 Rhodes ..... D26/89  
 D709,173 S \* 7/2014 Rodriguez, Jr. .... D23/373  
 D715,986 S \* 10/2014 Anastasiades ..... D26/88  
 D726,955 S \* 4/2015 Martin ..... D27/172  
 9,068,719 B2 \* 6/2015 Van De Ven ..... F21V 15/01  
 D746,508 S \* 12/2015 Deluca ..... D26/118  
 D749,769 S \* 2/2016 Krogman ..... D26/88  
 D751,246 S \* 3/2016 Yao ..... D26/118  
 9,285,103 B2 \* 3/2016 Van De Ven ..... F21V 15/01  
 D760,369 S \* 6/2016 Ertze ..... D23/385  
 D763,474 S \* 8/2016 Vidal ..... D26/2  
 D764,077 S \* 8/2016 Vidal ..... D26/2  
 D768,909 S \* 10/2016 Maier ..... D26/110  
 D770,605 S \* 11/2016 Wu ..... D23/329  
 D778,985 S \* 2/2017 Greenman ..... D19/69  
 D780,302 S \* 2/2017 Merritt ..... D23/374  
 D782,102 S \* 3/2017 Rice ..... D26/124  
 9,605,809 B1 \* 3/2017 Ernst ..... F21K 9/1375  
 D783,784 S \* 4/2017 Bates-Hurtado ..... D23/266  
 D787,109 S \* 5/2017 Sonneman ..... D26/118  
 2005/0055889 A1 3/2005 Thaler  
 2006/0130411 A1 6/2006 Edgar et al.  
 2007/0101664 A1 5/2007 Hoy et al.  
 2011/0275307 A1 \* 11/2011 McIver ..... F24F 7/02  
 454/367  
 2011/0302876 A1 12/2011 Giffin  
 2012/0031024 A1 2/2012 Selke et al.  
 2013/0328300 A1 12/2013 Bond  
 2016/0091175 A1 \* 3/2016 Kim ..... F21V 29/004  
 362/235  
 2016/0102885 A1 \* 4/2016 Karkheck ..... H02S 20/23  
 454/367  
 2016/0153647 A1 \* 6/2016 Lin ..... F21V 29/71  
 362/382  
 2016/0169477 A9 \* 6/2016 Vasta ..... F21V 31/00  
 362/294  
 2016/0215968 A1 \* 7/2016 Spiro ..... F04D 29/582  
 2016/0230937 A1 \* 8/2016 Kim ..... F21V 19/04  
 2016/0265756 A1 \* 9/2016 Silver ..... F21S 8/02  
 2016/0327242 A1 \* 11/2016 Chou ..... F21V 7/04  
 2017/0037633 A1 \* 2/2017 Ainger ..... E04D 13/1476  
 2017/0108234 A1 \* 4/2017 Lee ..... F24F 7/02

OTHER PUBLICATIONS

Flashing under the shingles, image post date Nov. 16, 2015, site visited May 27, 2017, (online), <<http://outdoorsaunabuildmndiy.blogspot.com/2015/11/installing-wood-stove-chimney-and.html>>.\*  
 Pipe boot, image post date Apr. 24, 2015, site visited May 27, 2017, (online), <<http://www.rapidmaterials.com/How-to-Install-a-Pipe-Boot-Flashing-on-a-Metal-Roof>>.\*  
 Pipe Boot on a Metal Roof, image post date 2012, site visited May 27, 2017, (online), <<http://www.instructables.com/id/How-To-Replace-a-Pipe-Poot-On-A-Metal-Roof/>>.\*  
 Vent Pipe Boot With Copper Flashing, image post date Aug. 19, 2013, site visited May 27, 2017, (online), <<https://web.archive.org/web/20130819060219/http://www.slateandcopper.com:80/expansion-joints/copper-vent-pipe-boot/>>.\*  
 Vent Shield, image post date Jan. 13, 2015, site visited May 27, 2017, (online), <<https://web.archive.org/web/20150113175830/http://critterquitter.com/>>.\*  
 Tripod 2Btable 2Blamp 2Bbase, image post date Sep. 10, 2015, site visited May 27, 2017, (online), <<https://www.tineye.com/search/71e078f700fa5b7fa60c084bdff0c084bdff0c25dd43886b2/>>.\*  
 Coolie Light Shade in Antique Brass, image post date 2007, site visited May 27, 2017, (online), <<https://www.lampsandlights.co.uk/moredetails.php?ref=SHantique02-GY2>>.\*  
 Replacement Rain Collar—for No-Calk Roof Flashings, image post date Jan. 29, 2012, site visited May 28, 2017, (online), <<https://web.archive.org/web/20120129204542/https://www.plumbingsupply.com/roofflashings.html>>.\*  
 Vintage tin chandelier hanging lamp shades with primitive old black paint, image post date Mar. 26 2015, site visited May 28, 2017, (online), <<https://web.archive.org/web/20150326110508/http://www.laurelleaffarm.com/item-pages/lamps/vintage-tin-chandelier-hanging-lamp-shades-primitive-old-black-paint-Laurel-Leaf-Farm-item-no-u4356.htm>>.\*  
 Lamps & Shades by the Metal Guy, image post date Sep. 14, 2008, site visited May 28, 2017, (online), <<https://web.archive.org/web/20080914204902/http://www.themetalguy.com/tvshow.html>>.\*  
 Cased Glass Slant Cone Shades, image post date Jul. 30, 2010, site visited May 28, 2017, (online), <[https://web.archive.org/web/20100730012808/http://www.lampshademake.com/pool\\_table.htm](https://web.archive.org/web/20100730012808/http://www.lampshademake.com/pool_table.htm)>.\*  
 Steelscape, Zincalume Brochure, Jul. 1, 2013, [http://www.steelscape.com/Files/products/zincalume/ZINCALUME\\_Brochure.pdf](http://www.steelscape.com/Files/products/zincalume/ZINCALUME_Brochure.pdf).  
 Steelscape, Zincalume Steel Grade Data Sheets, Jul. 1, 2013, [http://www.steelscape.com/Files/products/zincalume/ZINCALUME\\_Steel\\_Grade\\_Data\\_Sheets.pdf](http://www.steelscape.com/Files/products/zincalume/ZINCALUME_Steel_Grade_Data_Sheets.pdf).

\* cited by examiner

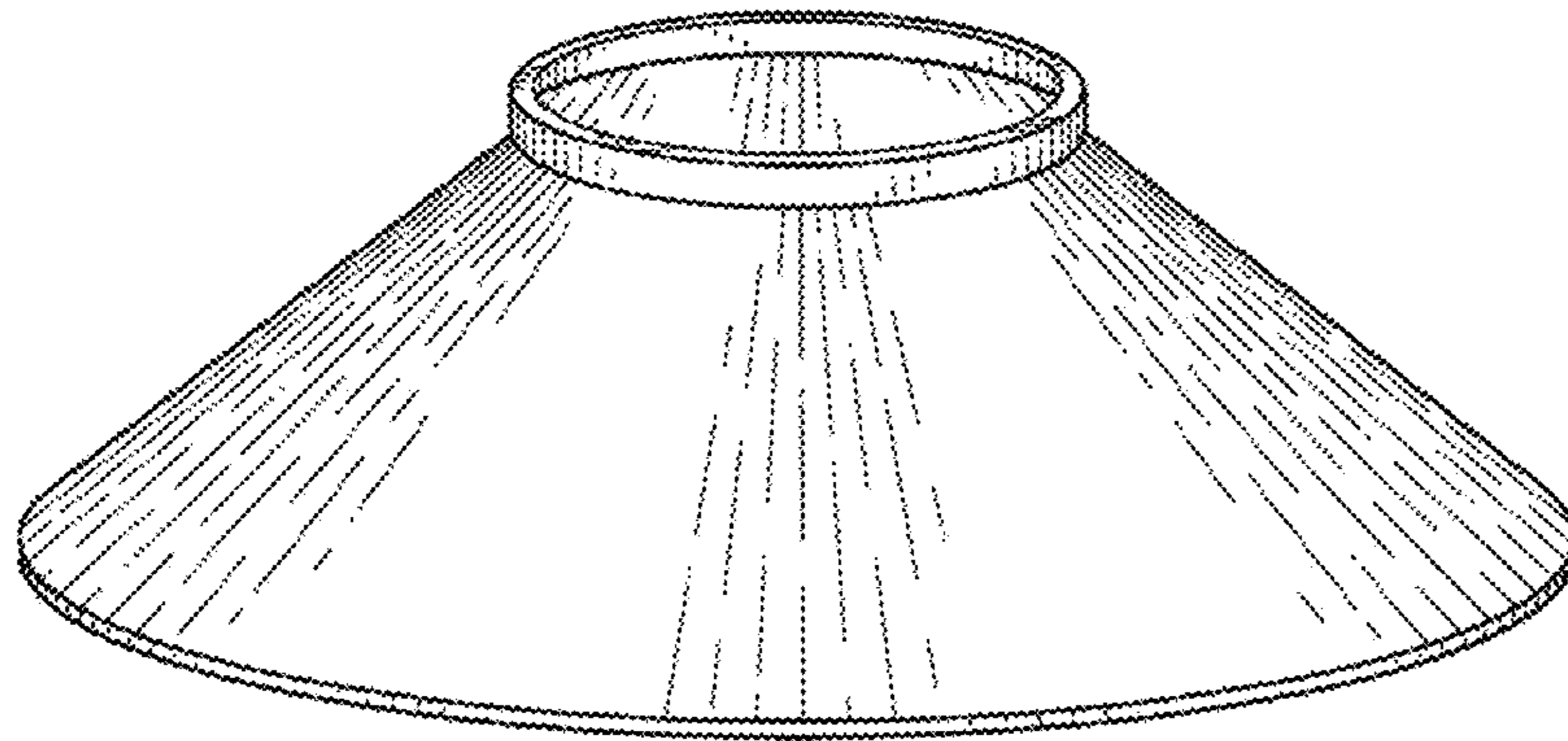


Fig. 1

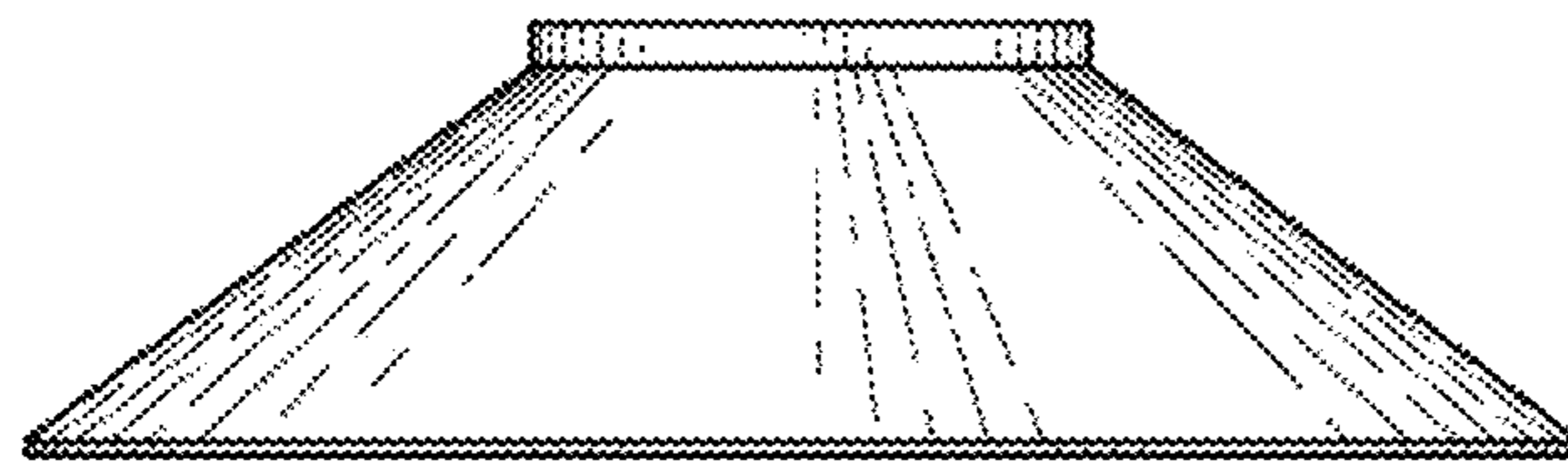


Fig. 2

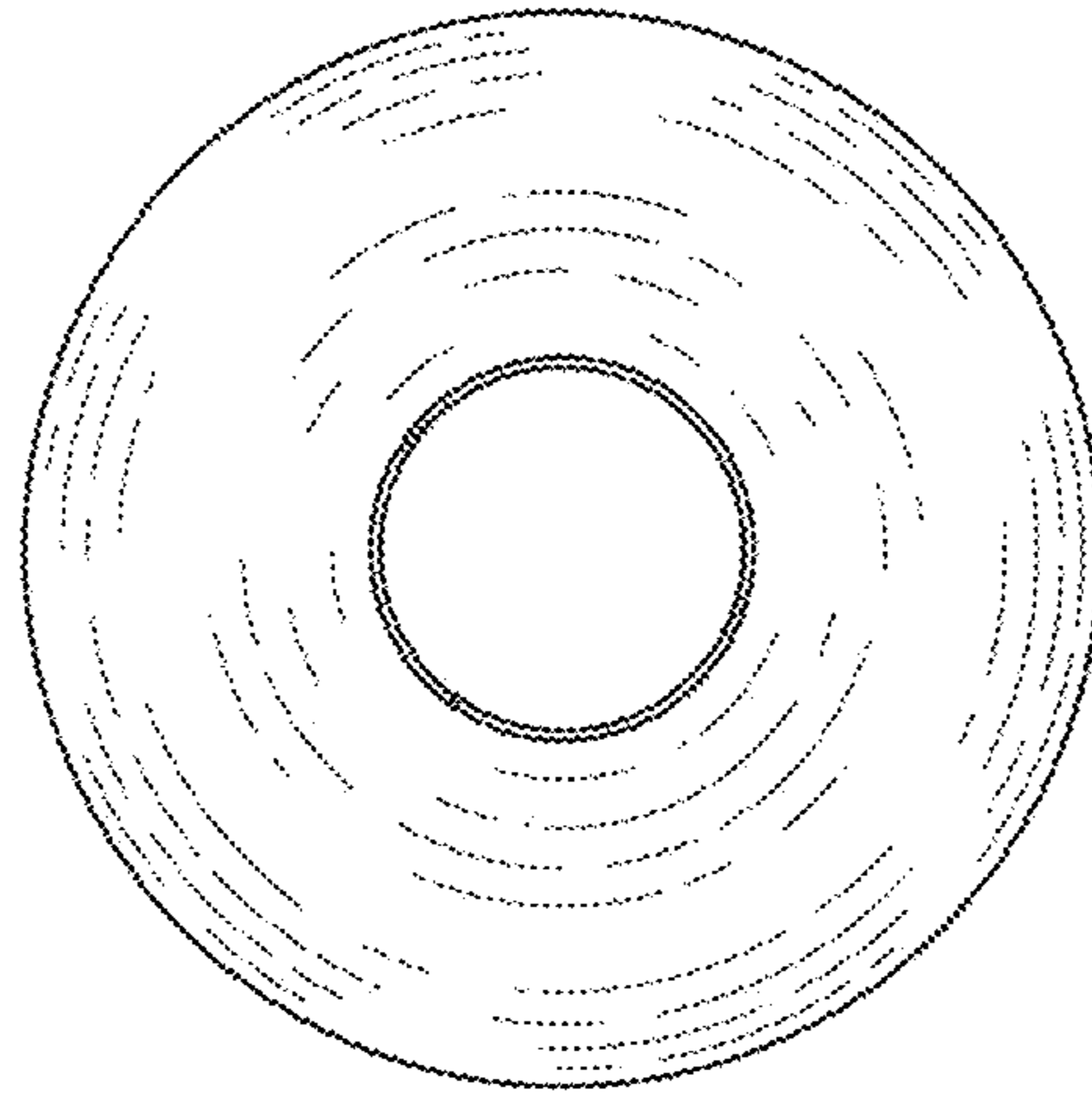


Fig. 3

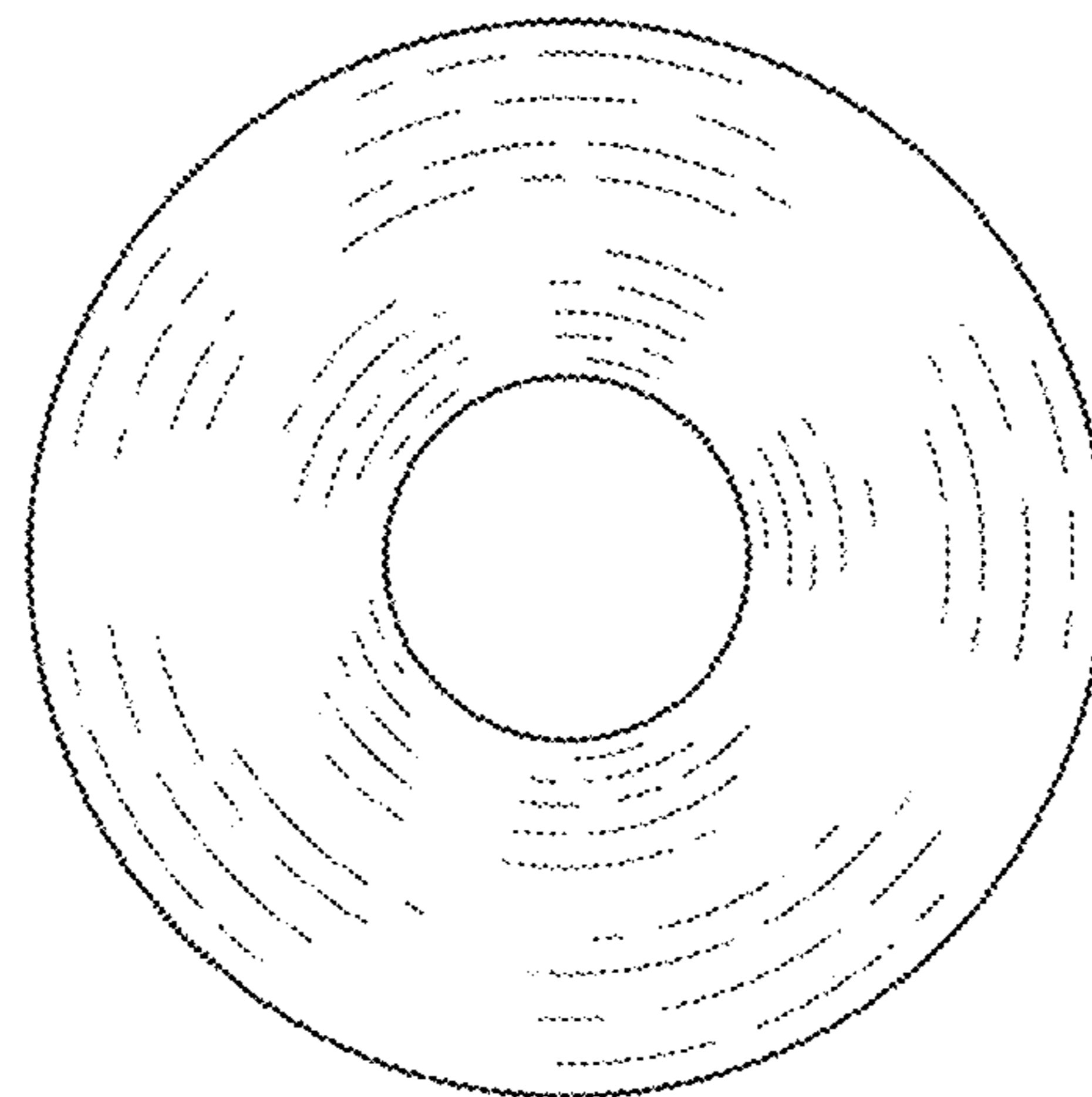


Fig. 4