



US00D796662S

(12) **United States Design Patent** (10) **Patent No.:** **US D796,662 S**  
**Harman** (45) **Date of Patent:** **\*\* Sep. 5, 2017**

- (54) **TERMINATION COLLAR FOR AIR DUCT**
- (71) Applicant: **Rodney James Harman**, Whistler (CA)
- (72) Inventor: **Rodney James Harman**, Whistler (CA)
- (\*\*) Term: **14 Years**
- (21) Appl. No.: **29/479,794**
- (22) Filed: **Jan. 20, 2014**

6,672,029 B2 1/2004 Tucker  
 7,022,010 B1 4/2006 Cardon  
 D525,354 S 7/2006 Nishizawa  
 7,108,600 B1 9/2006 Krzyskowski et al.  
 (Continued)

**FOREIGN PATENT DOCUMENTS**

CA 2369490 A1 7/2003

**OTHER PUBLICATIONS**

International Searching Authority, ISR, PCT/CA2012/050567, Nov. 6, 2012, 7 pages.

(Continued)

*Primary Examiner* — David Muller  
*Assistant Examiner* — Nathan Johnston  
 (74) *Attorney, Agent, or Firm* — Dwayne E. Rogge;  
 Schacht Law Office, Inc.

**Related U.S. Application Data**

- (62) Division of application No. 13/588,266, filed on Aug. 17, 2012.
- (51) **LOC (10) Cl.** ..... **23-04**
- (52) **U.S. Cl.**  
 USPC ..... **D23/393**
- (58) **Field of Classification Search**  
 USPC ..... D23/385–395, 397, 370–373, 365, 351,  
 D23/354, 399–403, 342, 366, 356;  
 454/309, 275–277, 284, 287–291, 270,  
 454/369, 259; 251/305; 126/292; 285/3,  
 285/61; 29/428  
 CPC ..... F24F 13/02; F24F 13/0209; F16L 3/003  
 See application file for complete search history.

(57) **CLAIM**

The ornamental design for a termination collar for air duct, as shown and described.

**DESCRIPTION**

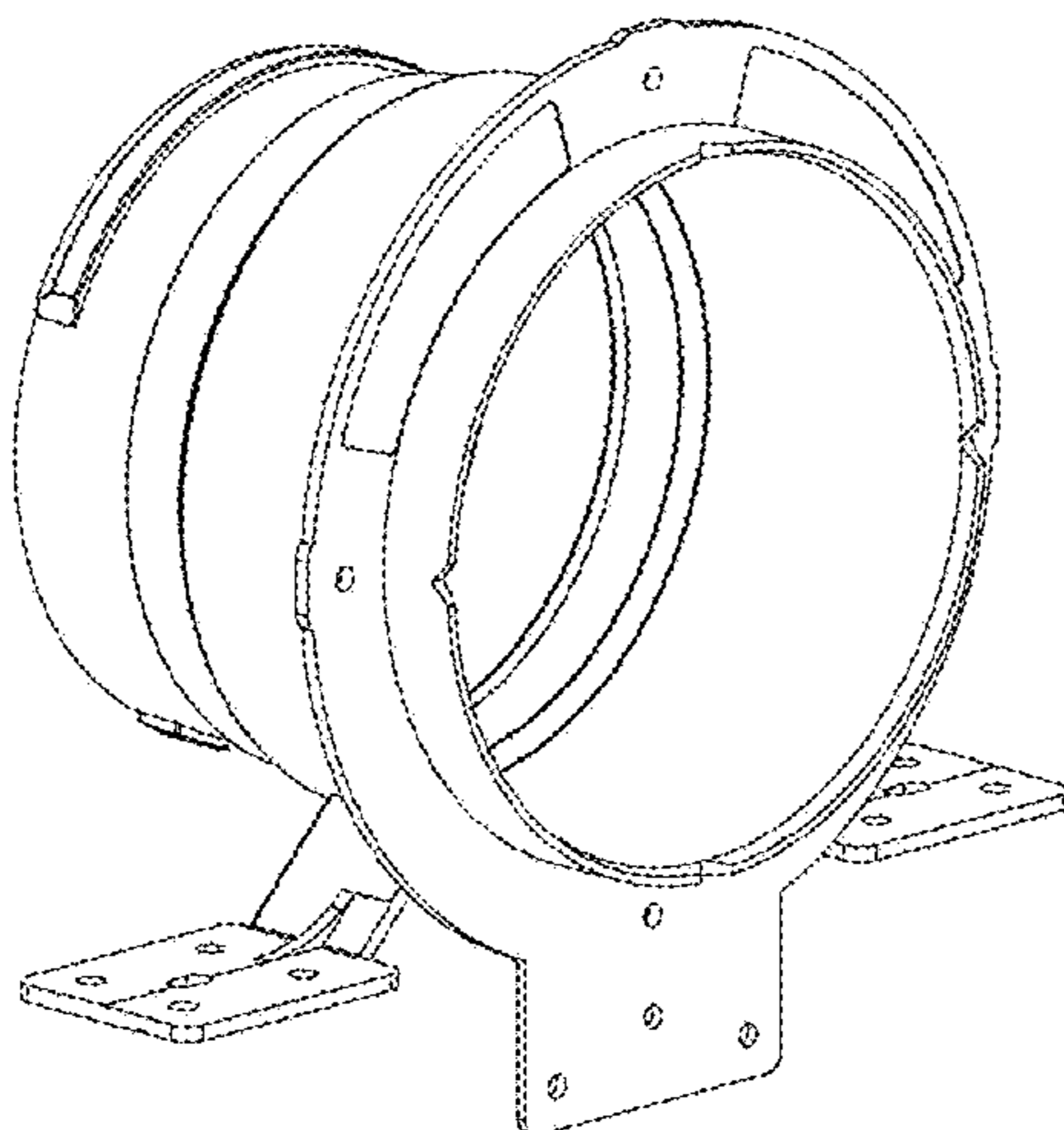
FIG. 1 is a perspective view of the termination collar for air duct showing my new design.  
 FIG. 2 is a perspective view thereof.  
 FIG. 3 is a perspective view thereof.  
 FIG. 4 is a perspective view thereof.  
 FIG. 5 is a perspective view thereof.  
 FIG. 6 an end elevation view.  
 FIG. 7 is a side cutaway view thereof.  
 FIG. 8 is a top plan view thereof; and,  
 FIG. 9 is a side elevation view thereof with the opposing side view being a mirror image thereof.  
 The features shown in broken lines depict environmental subject matter only, or a portion of the article, and form no part of the claimed design.

(56) **References Cited**

**U.S. PATENT DOCUMENTS**

- 2,966,837 A 1/1961 Radcliff
- 4,263,890 A \* 4/1981 Turko ..... F23L 13/06  
110/147
- 4,397,223 A 8/1983 Maxson
- 5,109,756 A 5/1992 Barboza et al.
- 5,275,333 A 1/1994 Tamblyn
- 5,695,222 A \* 12/1997 Hodges ..... E03D 11/16  
285/15
- 6,273,119 B1 \* 8/2001 Foster ..... F02D 9/04  
137/15.18
- 6,289,949 B1 \* 9/2001 Shumaker ..... B64F 1/34  
141/113
- 6,478,673 B1 11/2002 Haynes

**1 Claim, 9 Drawing Sheets**



(56)

References Cited

U.S. PATENT DOCUMENTS

7,118,136 B2 \* 10/2006 Ohya ..... F16L 13/146  
 285/243  
 D551,336 S \* 9/2007 Haggkvist ..... D23/386  
 D558,325 S \* 12/2007 Karnes ..... D23/393  
 D565,729 S \* 4/2008 Stephens ..... D24/128  
 D607,555 S 1/2010 Nishizawa  
 D612,925 S \* 3/2010 Kameyama ..... D23/393  
 D635,239 S \* 3/2011 Liebson ..... D23/393  
 8,033,900 B2 \* 10/2011 Vanden Bosch ..... F24F 13/14  
 454/270  
 D665,071 S \* 8/2012 Goel ..... D15/144  
 D681,793 S \* 5/2013 Li ..... D23/370  
 D687,144 S \* 7/2013 Gronberg ..... D24/127  
 D687,145 S \* 7/2013 Gronberg ..... D24/129  
 D703,301 S \* 4/2014 Peia ..... D23/370  
 D728,774 S \* 5/2015 Graham ..... D23/393  
 D729,374 S \* 5/2015 Dos Reis ..... D23/370  
 D743,521 S \* 11/2015 Jackson ..... D23/393  
 D744,627 S \* 12/2015 Bosma ..... D23/366

2003/0062720 A1\* 4/2003 Anderson ..... F16L 37/008  
 285/140.1  
 2003/0177724 A1 9/2003 Botting  
 2008/0142646 A1 6/2008 Magno et al.  
 2008/0318511 A1 12/2008 Becker  
 2009/0023378 A1\* 1/2009 Hansen ..... F04D 25/14  
 454/259  
 2013/0043671 A1\* 2/2013 Harman ..... F16K 13/02  
 285/3  
 2013/0056667 A1\* 3/2013 Shu ..... F16K 47/08  
 251/305  
 2013/0207017 A1\* 8/2013 Liu ..... E03D 1/012  
 251/366  
 2015/0260426 A1\* 9/2015 Hermanson ..... F24F 13/0209  
 285/336

OTHER PUBLICATIONS

Eneready Products LTD., "SpeediSleeve" Ecco Supply Brochure, 1 page.

\* cited by examiner

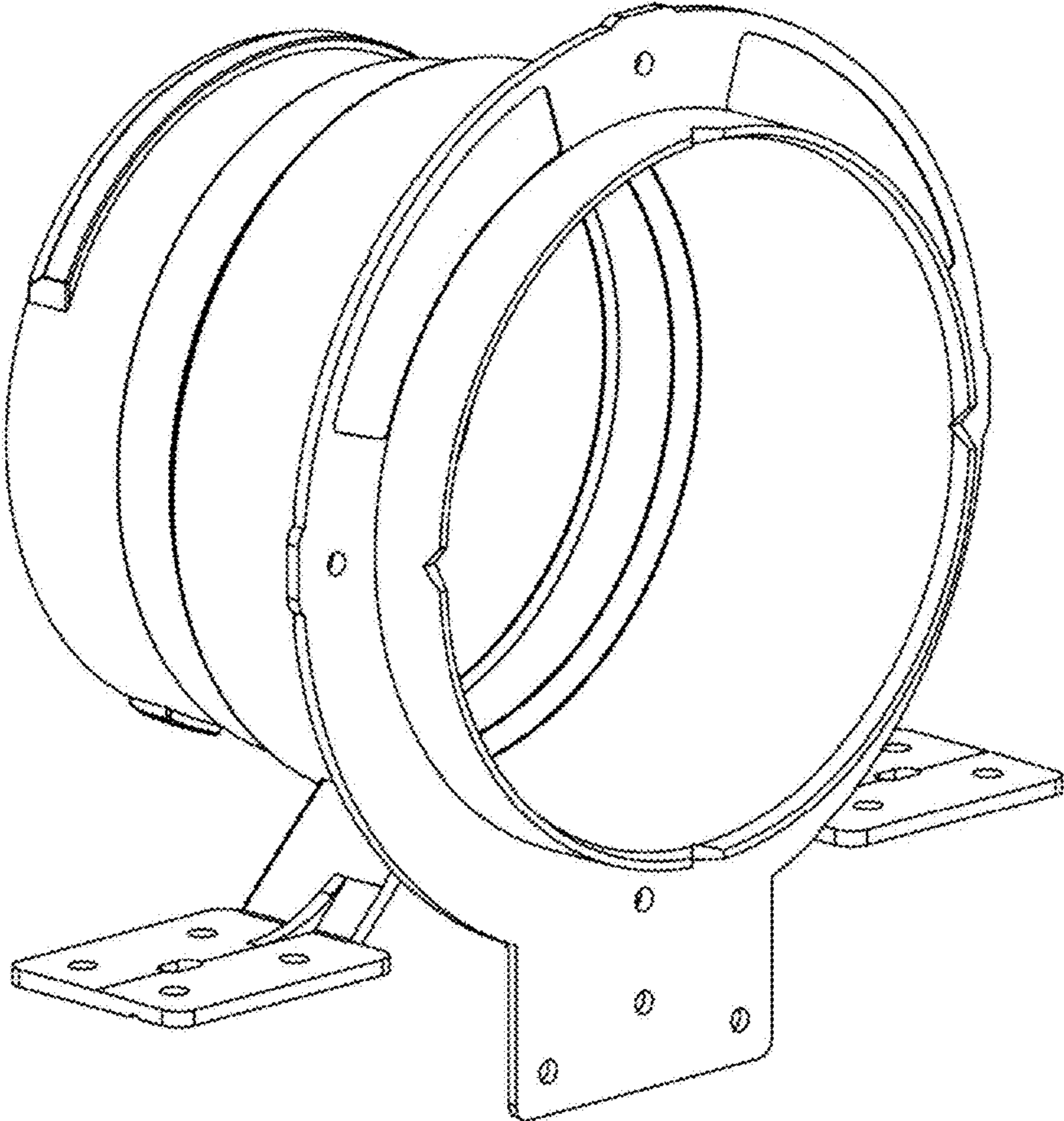


FIG. 1

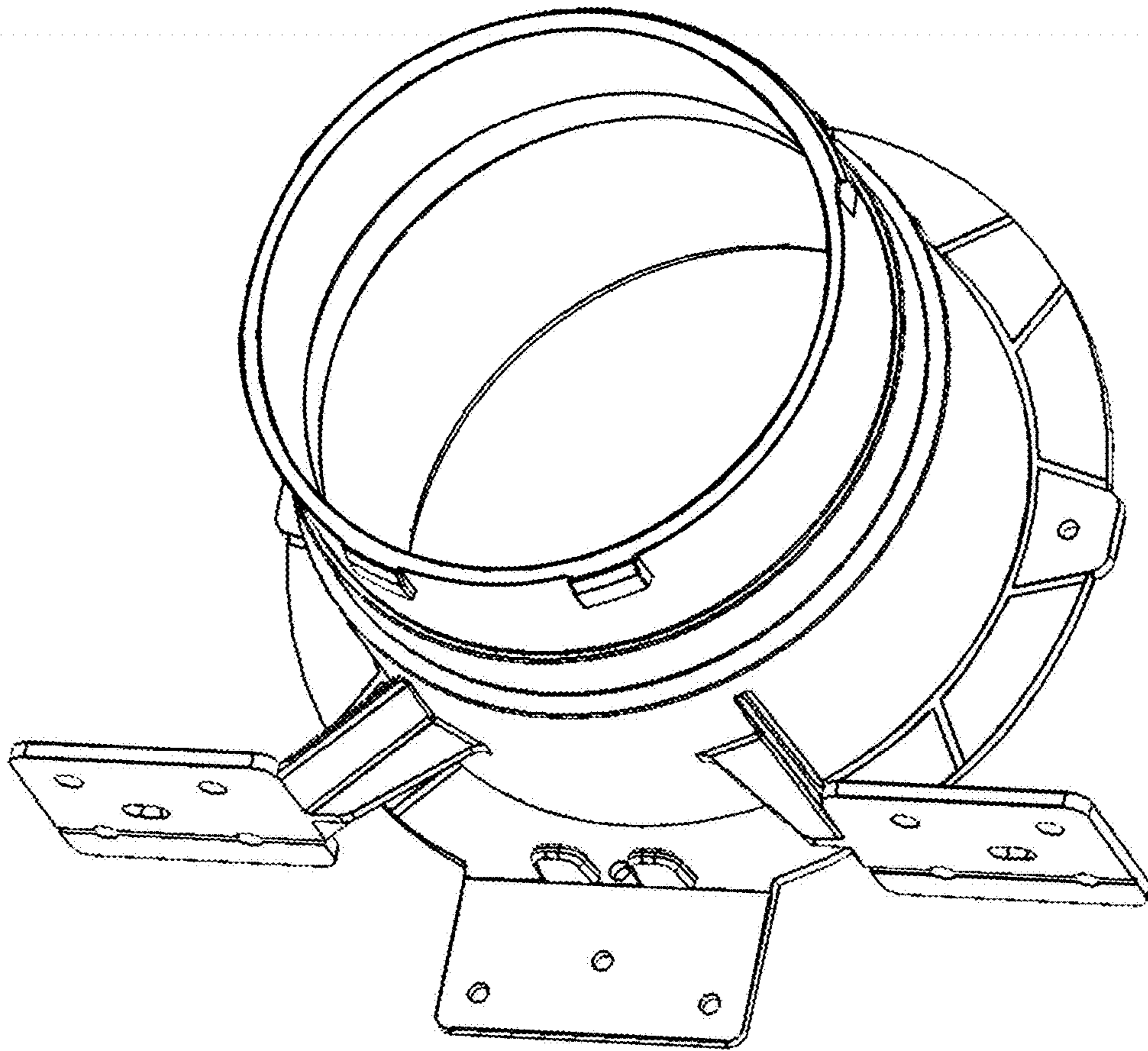


FIG. 2

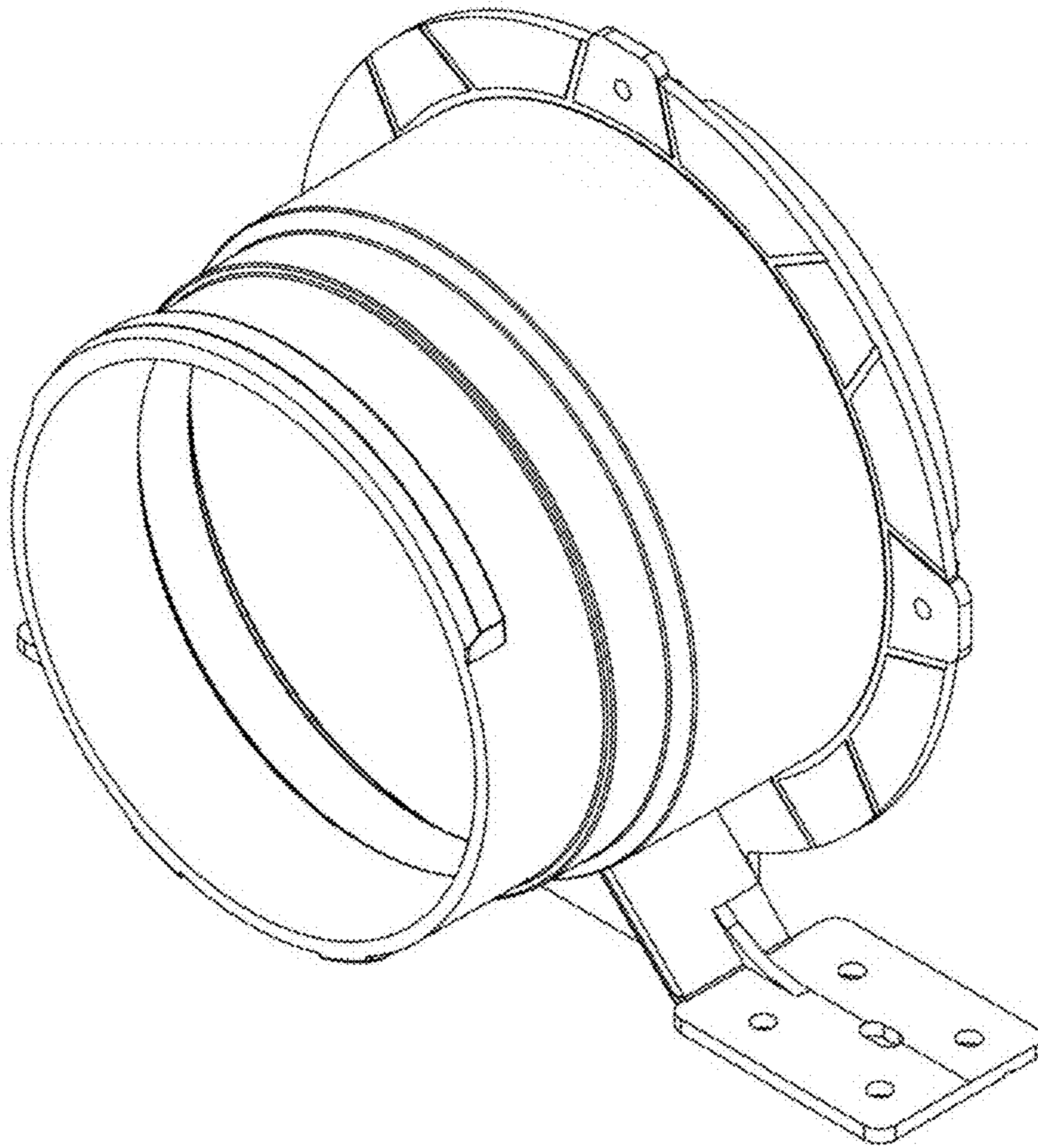


Fig. 3

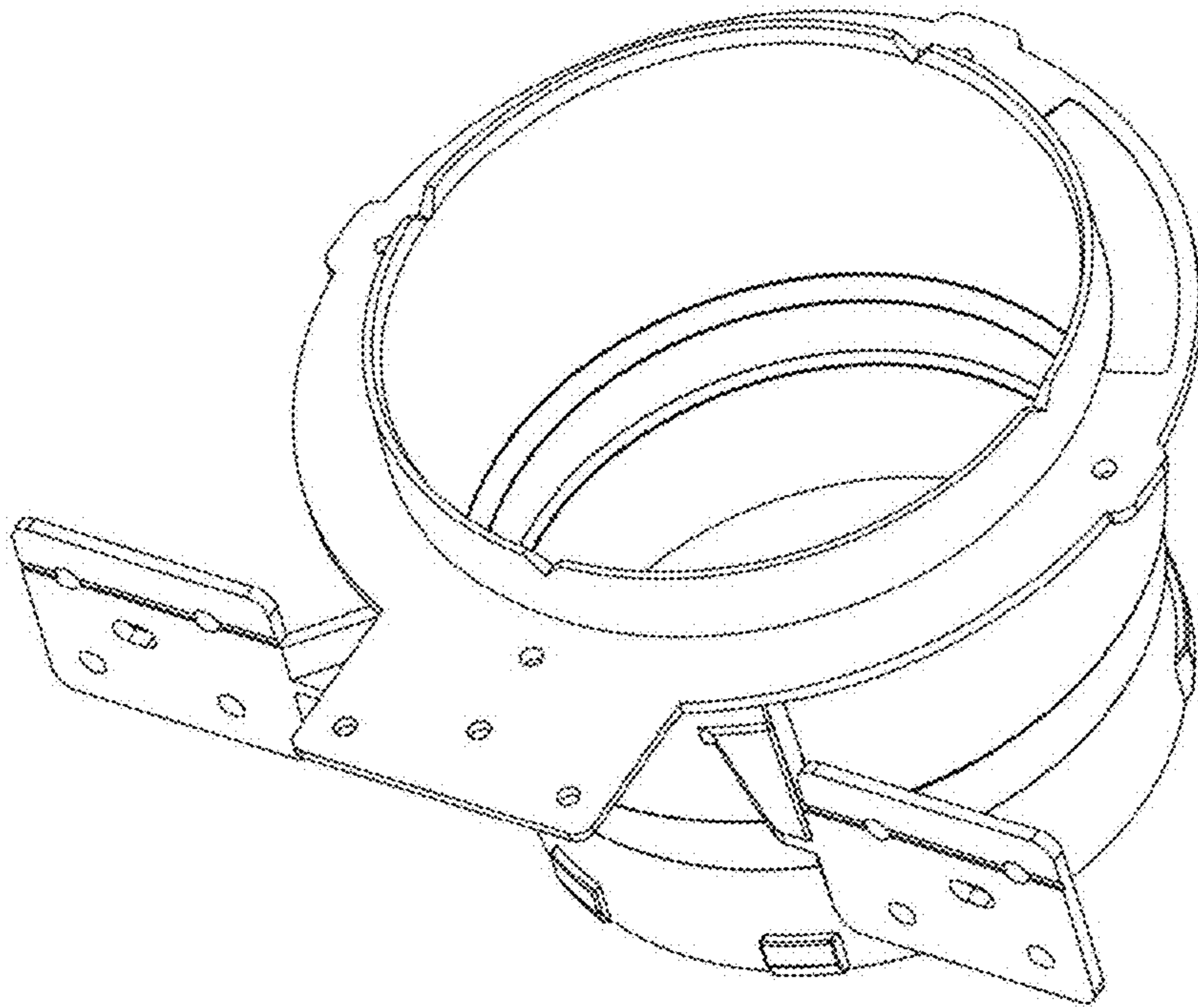


FIG. 4

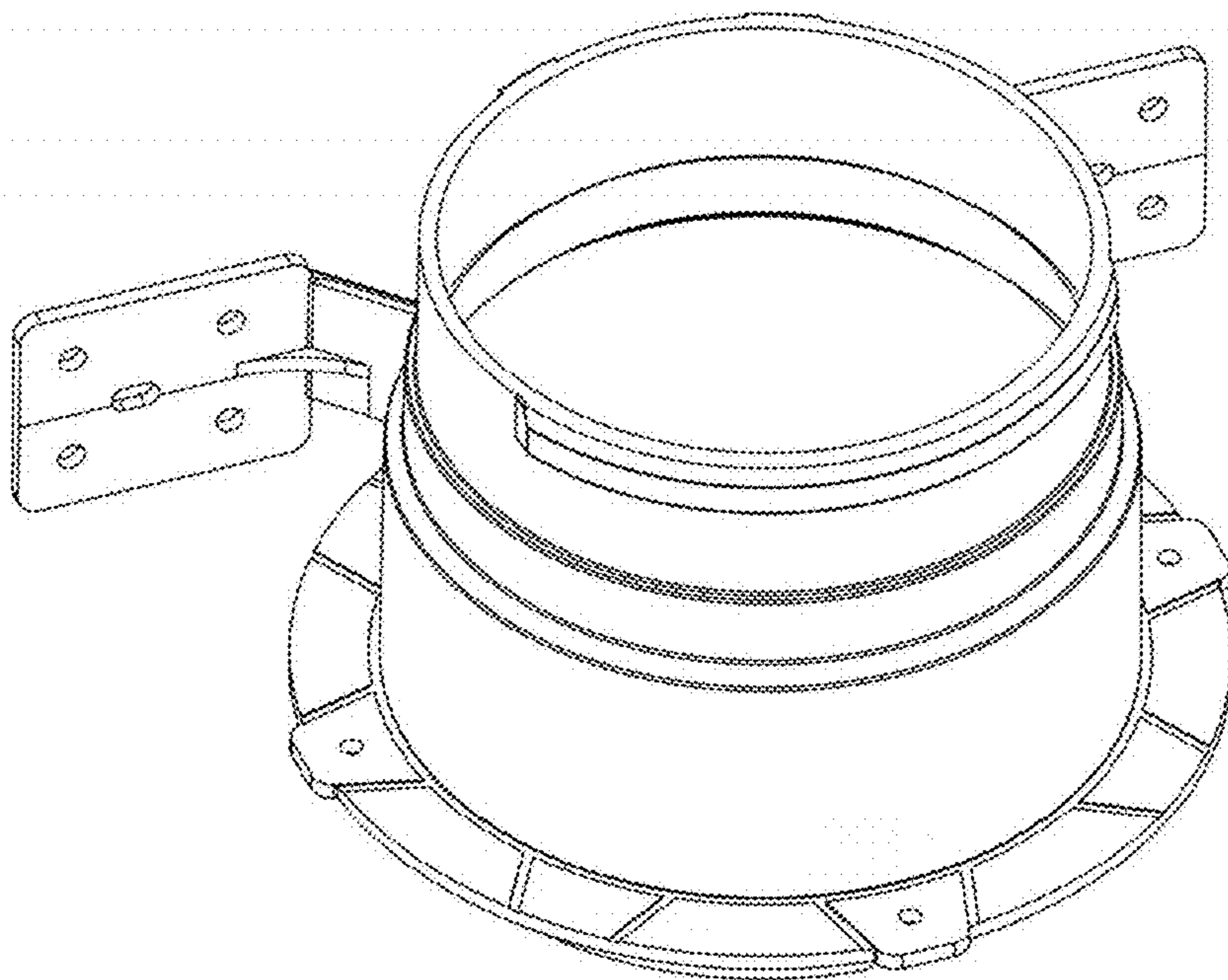


FIG. 5

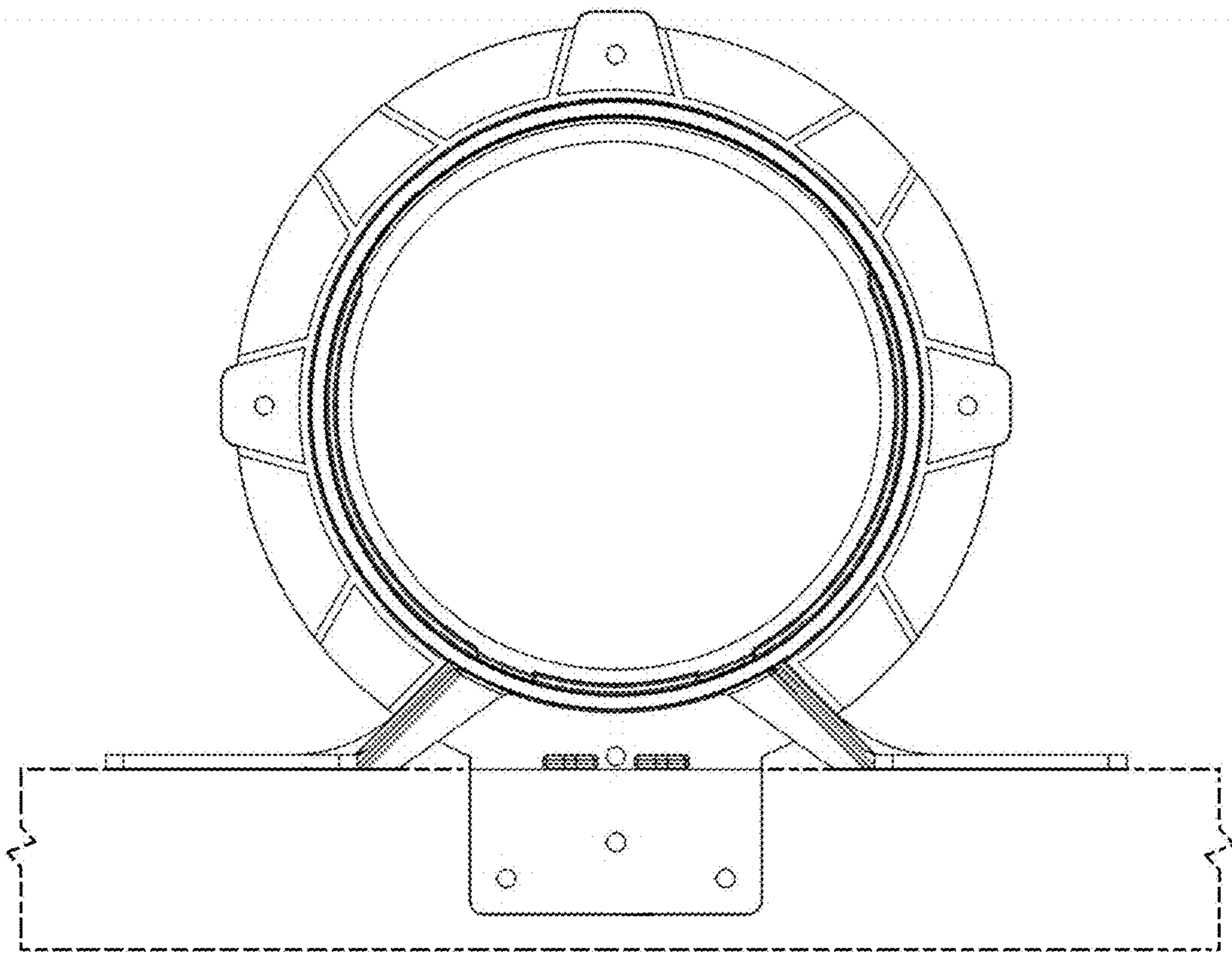


FIG. 6



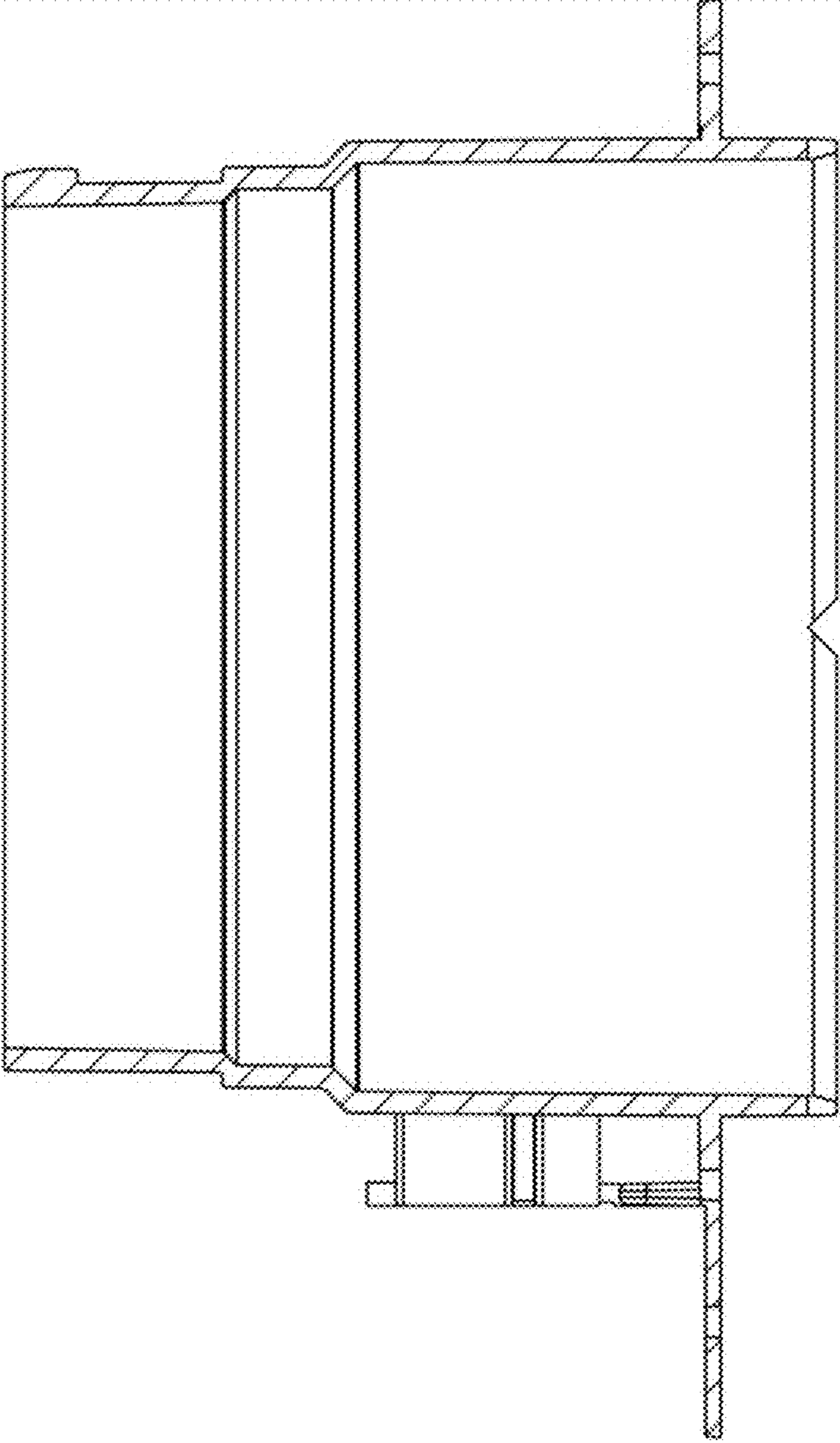


FIG. 7

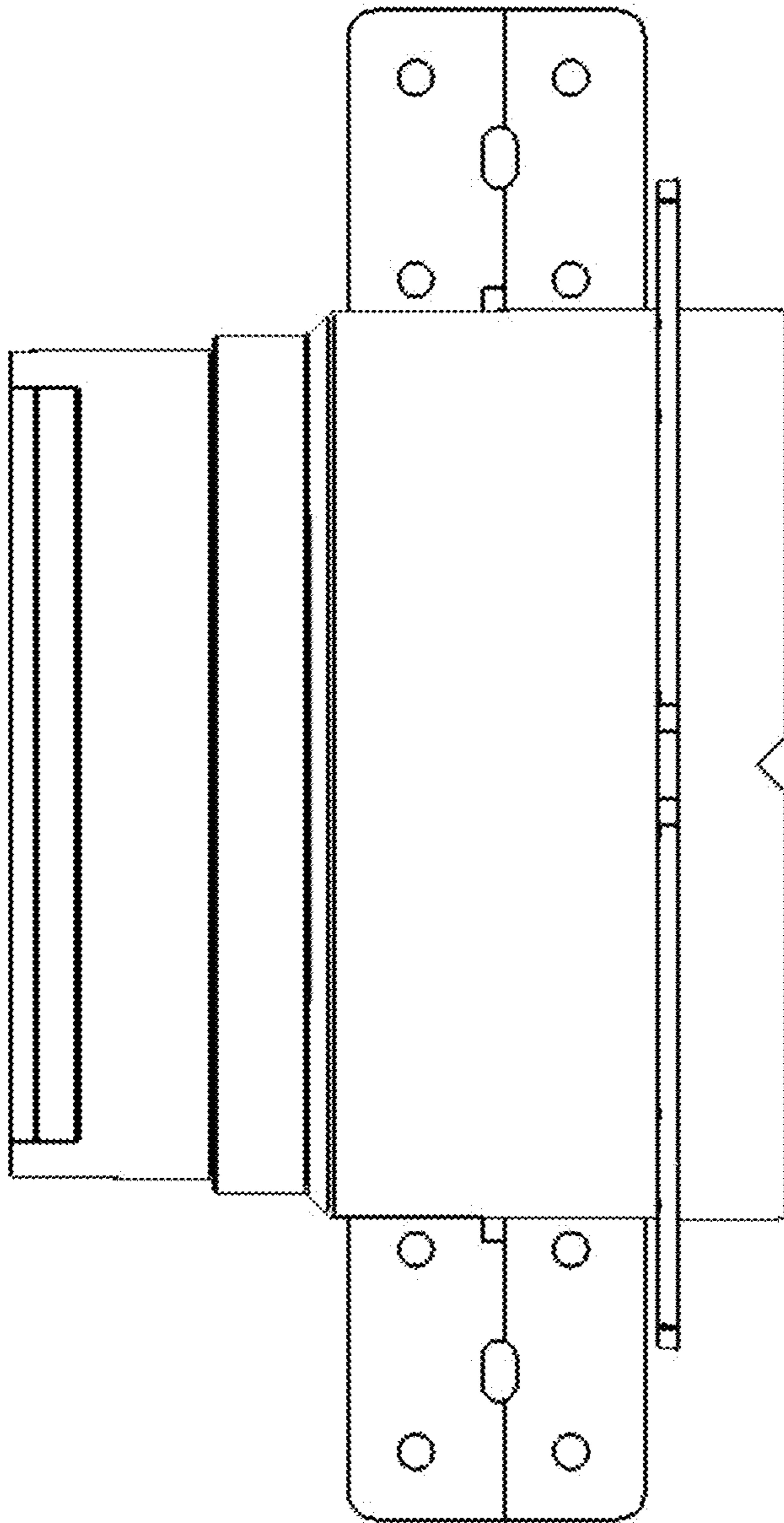


FIG. 8

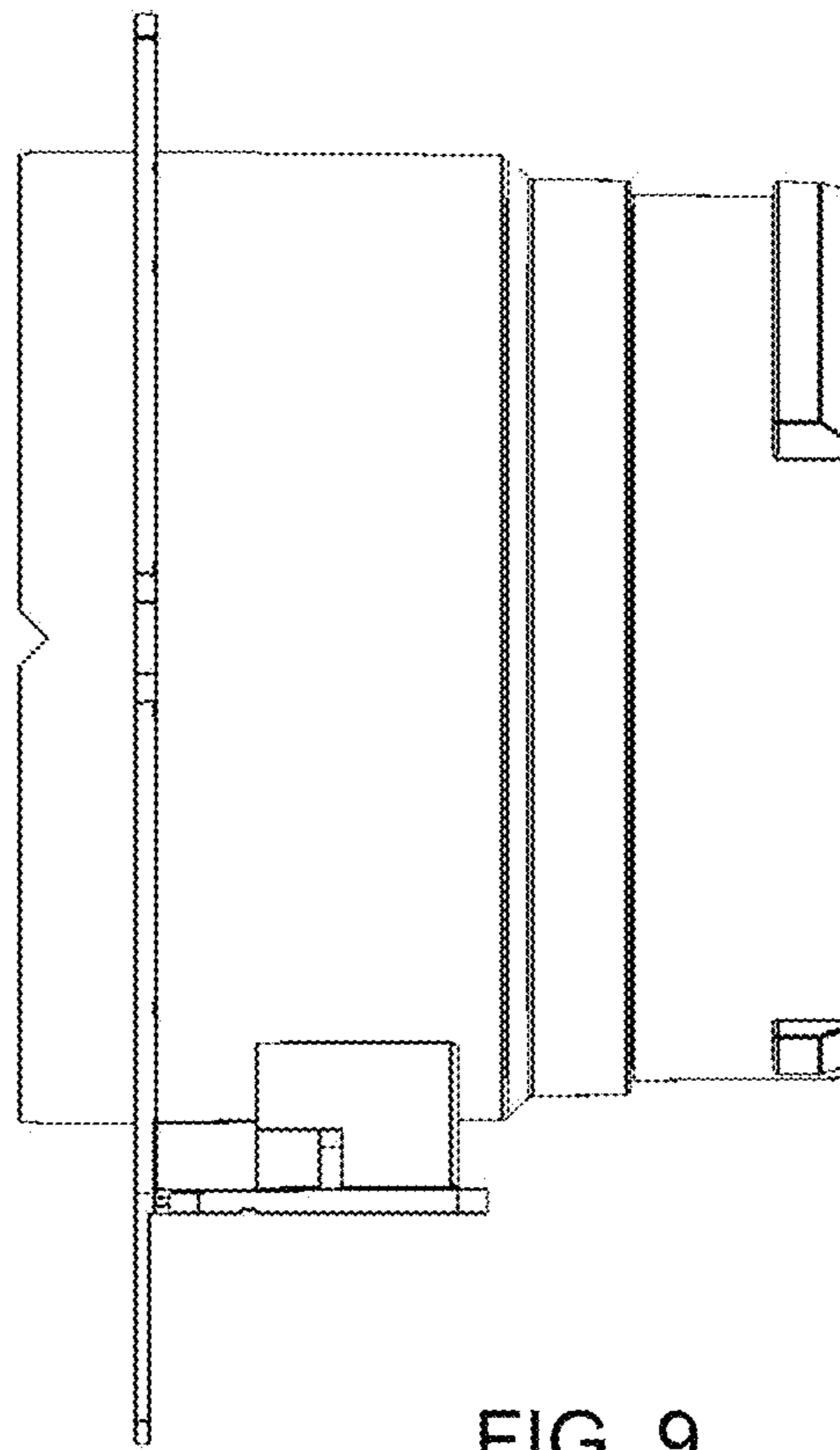


FIG. 9