

US00D796661S

(12) **United States Design Patent**
Oswald, Jr.

(10) **Patent No.:** **US D796,661 S**
(45) **Date of Patent:** **** Sep. 5, 2017**

- (54) **VENT COVER WITH FRAME**
- (71) Applicant: **Michael E. Oswald, Jr.**, Muskegon, MI (US)
- (72) Inventor: **Michael E. Oswald, Jr.**, Muskegon, MI (US)
- (**) Term: **14 Years**
- (21) Appl. No.: **29/512,495**
- (22) Filed: **Dec. 19, 2014**

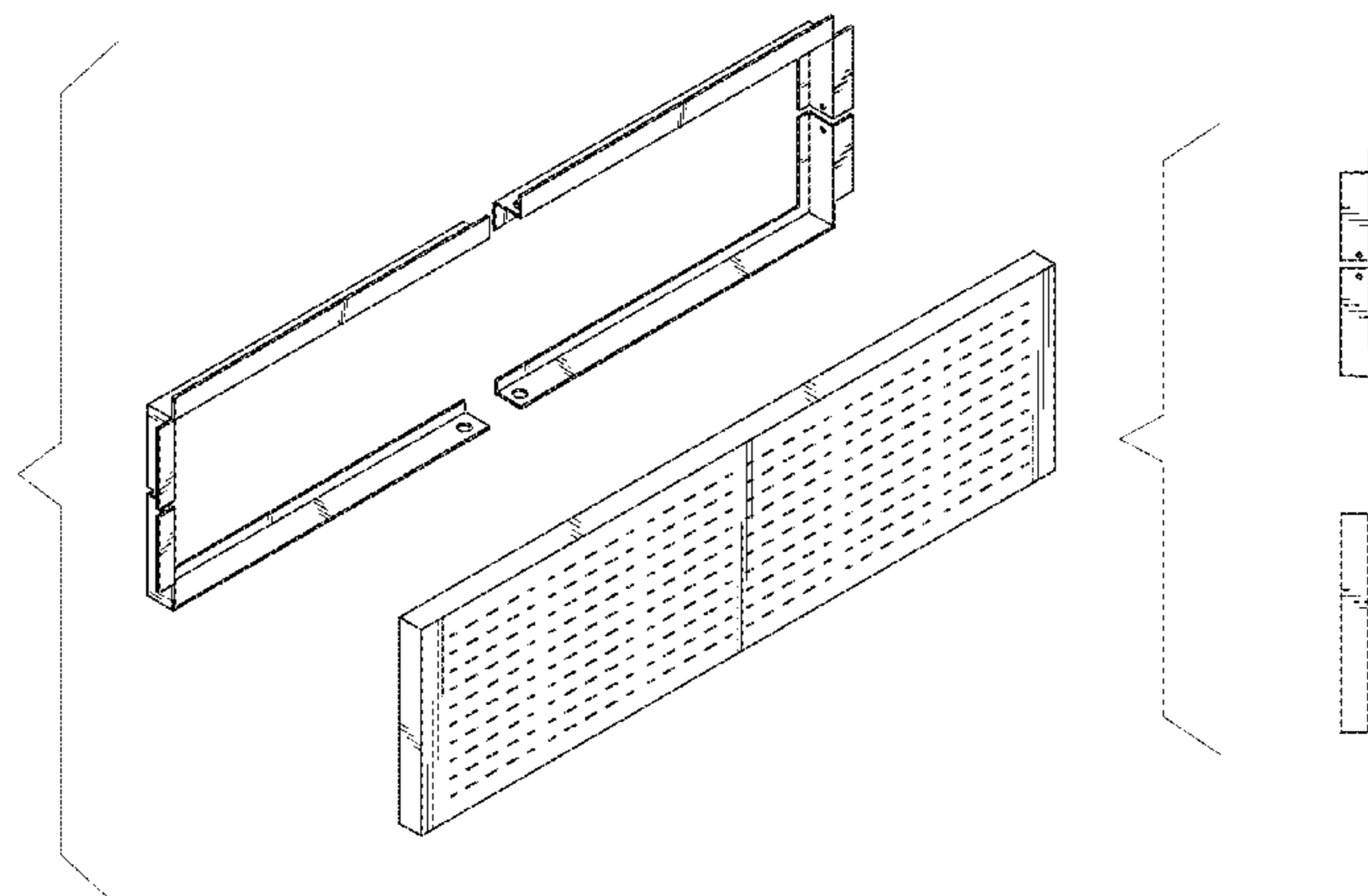
Related U.S. Application Data

- (63) Continuation of application No. 13/782,200, filed on Mar. 1, 2013, now abandoned.
- (51) **LOC (10) Cl.** **23-04**
- (52) **U.S. Cl.**
USPC **D23/388**
- (58) **Field of Classification Search**
USPC D17/20, 22, 23; D11/143, 144;
D13/182; D23/323, 328, 333, 335, 336,
D23/337, 341, 352, 357, 370, 385, 386,
D23/392, 397, 399, 400, 406, 411, 413,
D23/499, 388, 412
CPC B64C 11/04; B64C 11/16; B64C 11/18;
B64C 11/20; B64C 2001/009; F03D
3/062; F03D 11/04; F04D 19/002; F04D
25/068; F04D 25/088; F04D 19/00; F04D
17/16; F04D 25/14; F04D 25/0606; F04D
29/626; F24F 1/0018; F24F 7/007; F24F
13/10; F24F 13/32; F24F 1/027; B64D
13/02; E04C 2/427; E06B 3/5892; B24B
37/04; B01D 46/00; B01D 46/10; F24H
3/04; B65D 7/00; B65D 67/02; F16M
1/00; F25D 23/10
See application file for complete search history.

2,078,197	A *	4/1937	Hooker	B01D 46/00 252/608
2,271,488	A *	1/1942	Nold	B65D 67/02 16/404
2,741,390	A *	4/1956	Moore	B65D 7/00 220/4.21
2,882,810	A *	4/1959	Goettl	F16M 5/00 248/148
3,194,146	A *	7/1965	Jenson	F24C 15/2021 126/299 D
3,250,063	A *	5/1966	Andrews	B01D 25/176 210/323.1
3,273,843	A *	9/1966	Bell, Jr.	F24F 13/32 248/208
3,292,349	A *	12/1966	Cuta	B01D 46/00 160/371
3,326,112	A *	6/1967	Sadlow	E04B 9/02 362/148
3,332,334	A *	7/1967	Melzer	F24F 9/00 392/363
3,342,212	A *	9/1967	Stocks, Jr.	F24F 11/047 137/601.05
3,538,975	A *	11/1970	Tarnoff	A62C 2/16 160/1
3,630,007	A *	12/1971	Neumann	B01D 46/30 96/129
3,677,517	A *	7/1972	Root	F24F 13/08 160/1
4,115,082	A *	9/1978	Newell	B03C 3/28 422/120
4,240,264	A *	12/1980	Nakada	F24F 1/0007 165/122
4,334,899	A	6/1982	McConnell		
4,465,256	A *	8/1984	Wolbrink	F24C 15/2071 248/201
4,904,288	A	2/1990	d'Augereau		
4,917,345	A *	4/1990	Czech	F24F 13/32 248/237
D340,281	S *	10/1993	Callas	D23/386
5,435,644	A *	7/1995	Schuh	G07F 9/10 211/186
5,465,533	A *	11/1995	Rummo, Jr.	E04D 13/0315 248/676
5,525,145	A	6/1996	Hodge		
5,597,392	A	1/1997	Hawkins et al.		
5,636,816	A *	6/1997	Burton	F24F 13/32 248/208
5,791,092	A *	8/1998	Strieter	E04D 13/031 248/237
5,870,868	A *	2/1999	Kita	E04C 2/384 312/140

(56) **References Cited**
U.S. PATENT DOCUMENTS

- 1,791,255 A * 2/1931 Wagner F16L 37/0985
138/DIG. 4
- 1,816,342 A * 7/1931 Phinney A62C 13/78
220/662



US D796,661 S

Page 2

5,887,406	A *	3/1999	Bond	E04D 15/00	182/45	D751,686	S *	3/2016	Harris	D23/386
						D752,190	S *	3/2016	DeNooy	D23/267
5,967,478	A *	10/1999	Tynes	A47B 45/00	248/208	D752,200	S *	3/2016	Huang	D23/385
						D752,227	S *	3/2016	Suzuki	D24/162
D425,999	S *	5/2000	Belk	D25/55		D752,770	S *	3/2016	Kuhn	D24/227
6,171,354	B1	1/2001	Johnson			9,283,509	B2 *	3/2016	Hio	B01D 46/10
6,298,681	B1 *	10/2001	Esty	F24F 13/32	62/262	D754,315	S *	4/2016	Morin	D23/365
						D754,835	S *	4/2016	Uehara	D23/371
6,343,439	B1 *	2/2002	Rutledge	E04D 13/1471	248/148	D754,839	S *	4/2016	Aruga	D23/393
						D755,944	S *	5/2016	Daniels	D23/373
6,361,578	B1	3/2002	Rubinson			2002/0005023	A1 *	1/2002	Ford	E04B 1/26
D478,977	S *	8/2003	Snyder	D23/388						52/514
6,656,243	B2	12/2003	Hodge			2002/0019654	A1 *	2/2002	Ellis	A61F 7/007
D503,225	S *	3/2005	Rodolfo	D23/393						607/98
D503,471	S *	3/2005	Huta	D23/398		2002/0040502	A1 *	4/2002	Woolfson	A47C 21/046
6,860,279	B2 *	3/2005	Dunn	B08B 3/102	134/182					5/690
						2002/0157540	A1 *	10/2002	Lynn	A45D 20/12
D505,195	S *	5/2005	Snyder	D23/393						96/222
7,065,928	B1 *	6/2006	Lane	F24F 13/32	52/200	2003/0010041	A1 *	1/2003	Wessling	B64G 1/50
										62/60
D549,316	S *	8/2007	O'Hagin	D23/393		2003/0035222	A1 *	2/2003	Okada	G03F 1/64
D554,243	S *	10/2007	Harrod	D23/314						359/629
D572,358	S *	7/2008	Nattrass	D23/397		2006/0272304	A1 *	12/2006	Louis Schupp	A61L 9/04
D618,503	S *	6/2010	Baacke	D7/402						55/501
7,771,502	B2 *	8/2010	Germain	B01D 46/0005	55/481	2007/0068185	A1 *	3/2007	Thompson	F24F 13/32
										62/262
8,016,921	B2	9/2011	Hassell et al.			2007/0287374	A1 *	12/2007	Day	B60H 1/34
8,083,839	B2 *	12/2011	Gonze	B01D 46/42	422/169					454/158
						2008/0016835	A1 *	1/2008	Justice	B01D 46/0002
8,091,844	B1 *	1/2012	Bragg	F24F 13/32	248/208					55/501
						2008/0160903	A1 *	7/2008	Fontana	F24F 13/085
RE43,717	E *	10/2012	DeForte	D23/386						454/289
D675,368	S *	1/2013	Leonard	D26/118		2009/0078121	A1 *	3/2009	Hepburn	A61L 9/16
D684,306	S *	6/2013	Park	D26/118						96/222
8,453,777	B2 *	6/2013	Farlow	F04D 17/16	180/68.1	2010/0126129	A1 *	5/2010	Kim	A47L 9/122
										55/494
D689,306	S *	9/2013	Fishman	D6/675.1		2010/0154643	A1 *	6/2010	Goto	B01D 46/0036
8,574,047	B2 *	11/2013	Balbo Di Vinadio ..	F24F 7/007	165/59					96/139
						2010/0159815	A1 *	6/2010	Reid	B01D 46/0024
D704,817	S *	5/2014	Butler	D23/373						454/53
D706,481	S *	6/2014	Holland	D26/78		2010/0214788	A1 *	8/2010	Kadono	C03C 17/006
8,794,228	B2 *	8/2014	Richter	F23J 13/04	126/300					362/311.01
						2010/0219138	A1 *	9/2010	Scheerlinck	B01D 39/1623
D714,927	S *	10/2014	Urano	D23/388						210/767
8,960,620	B1 *	2/2015	Merideth	F24F 13/32	248/148	2010/0236203	A1 *	9/2010	Suzuki	B01D 46/0005
										55/483
8,974,585	B2 *	3/2015	Hartmann	B01D 46/0086	55/471	2011/0016837	A1 *	1/2011	Fischer	B01D 46/0001
										55/497
D727,791	S *	4/2015	Montagano	D11/155		2011/0062024	A1 *	3/2011	Sabin	G01N 27/44756
8,998,452	B2 *	4/2015	Parker	F21K 9/58	362/277					204/457
						2011/0308209	A1 *	12/2011	Gillilan	B01D 46/0005
D728,771	S *	5/2015	Santeler	D23/386						55/481
D730,545	S *	5/2015	Stauffer	D25/133		2012/0151889	A1 *	6/2012	Horey	B01D 46/10
9,022,845	B2 *	5/2015	Henderson	F24F 7/02	29/897.3					55/467
						2013/0072104	A1 *	3/2013	Picco	F24F 13/085
9,027,901	B2 *	5/2015	Pooler	F24F 13/32	248/575					454/289
						2014/0000458	A1 *	1/2014	Ferguson	B01D 46/0006
D732,147	S *	6/2015	French	D23/267						95/273
D732,708	S *	6/2015	Stauffer	D25/133		2014/0307237	A1 *	10/2014	Sekihara	C23C 4/08
D733,494	S *	7/2015	Funnell, II	D7/405						355/30
D736,366	S *	8/2015	Picco	D23/386		2016/0032798	A1 *	2/2016	Herman	B01D 45/08
D736,417	S *	8/2015	Di Marzio	D25/164						95/268
D736,418	S *	8/2015	Di Marzio	D25/164		2016/0067642	A1 *	3/2016	National	B01D 46/0005
D737,133	S *	8/2015	Sandman	D8/396						55/480
D737,948	S *	9/2015	Breneman	D23/372		2016/0143611	A1 *	5/2016	Ota	A61B 6/586
D739,050	S *	9/2015	Di Marzio	D25/164						378/207
D740,969	S *	10/2015	Di Marzio	D25/164						
9,157,536	B2 *	10/2015	Li	F16K 15/035						
D742,313	S *	11/2015	Gao	D13/110						
9,175,480	B1 *	11/2015	Polston	F24F 7/02						
D745,193	S *	12/2015	Ohshima	D25/138						
D746,429	S *	12/2015	Meyer	D23/387						
9,217,581	B1 *	12/2015	Merideth	F24F 13/32						
D748,239	S *	1/2016	Daniels	D23/373						
9,233,747	B2 *	1/2016	Perkins	B32B 3/266						
D749,204	S *	2/2016	Breneman	D23/372						
D750,996	S *	3/2016	Butler	D11/155						
D751,013	S *	3/2016	Curic	D12/163						

OTHER PUBLICATIONS

Vent Covers, image post date Apr. 1, 2013, site visited May 31, 2016, (online), <<http://web.archive.org/web/20130401085649/http://www.ventcoversunlimited.com/>>.*
 Wood Vent and Floor Register, image post date Jan. 7, 2014, site visited May 31, 2016, (online), <<http://web.archive.org/web/20140107183342/http://hardwoodfloorvents.com/>>.*

* cited by examiner

Primary Examiner — Kevin Rudzinski

Assistant Examiner — Sean D Lough

(74) *Attorney, Agent, or Firm* — Robert C. Montgomery;
Montgomery Patent & Design, LP.

(57) **CLAIM**

The ornamental design for the vent cover with frame, as shown and described.

DESCRIPTION

FIG. 1 is a perspective front to rear view of vent cover with a frame, showing my new design;

FIG. 2 is a front view thereof;

FIG. 3 is a rear view thereof;

FIG. 4 is a right side view with the left side view being a mirror image thereof;

FIG. 5 is a top view thereof; and,

FIG. 6 is a bottom view thereof.

The outer rectangle depicted in broken lines shown in FIG. 3 is intended to show boundary areas of the claimed design and form no part of the claimed design. Inner rectangular environmental elements depicted in broken lines shown in FIG. 3 form no part of the claimed design. The thick horizontal dashed lines of the drawing disclosure shown in FIGS. 1-3 illustrate portions of the article that form no part of the claimed design.

1 Claim, 5 Drawing Sheets

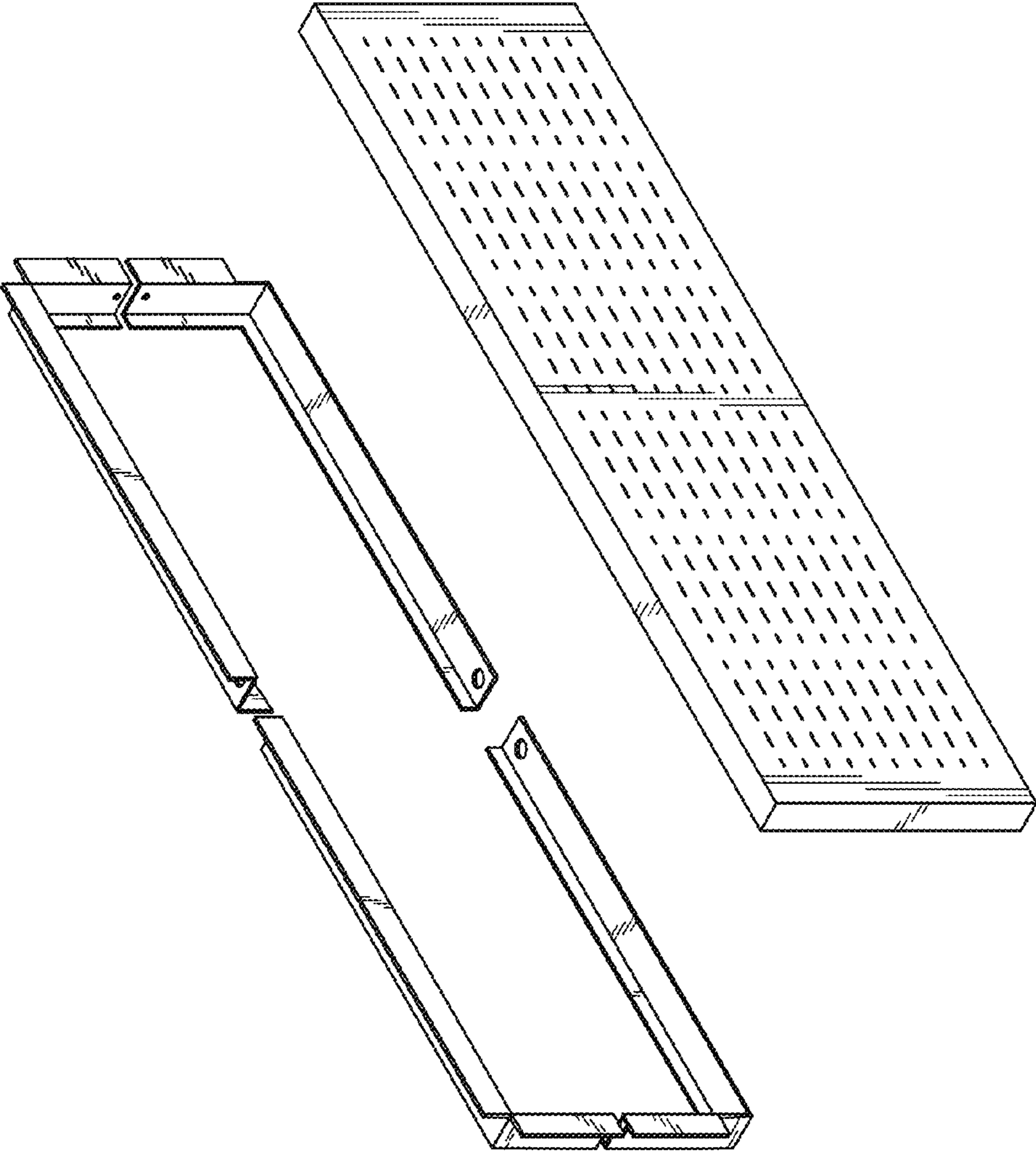
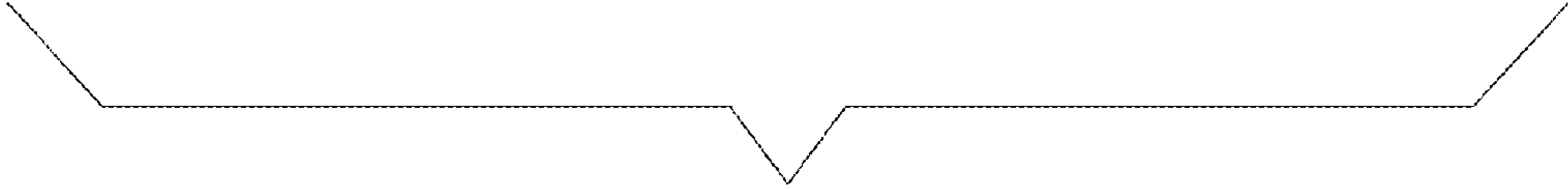


Fig. 1



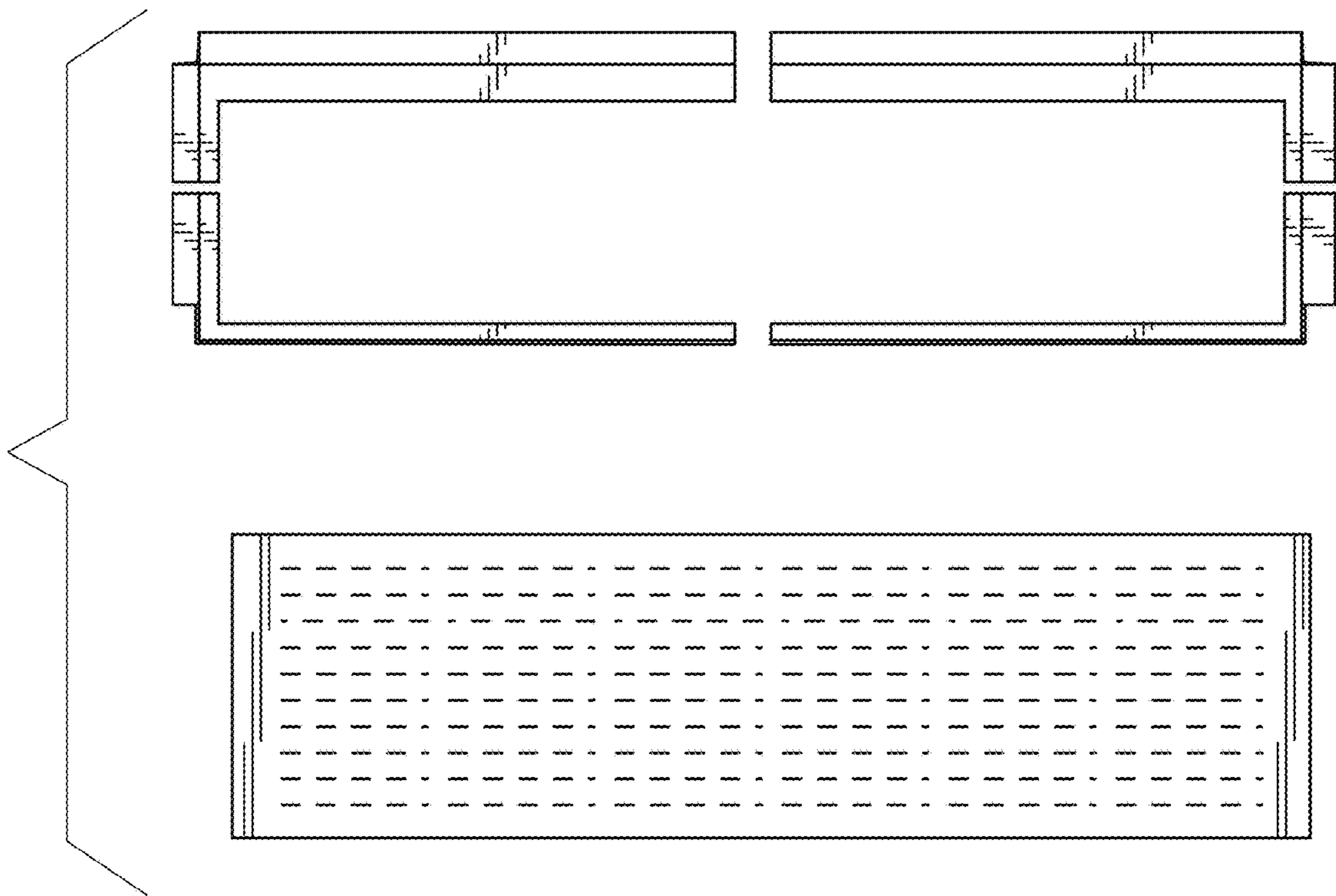


Fig. 2

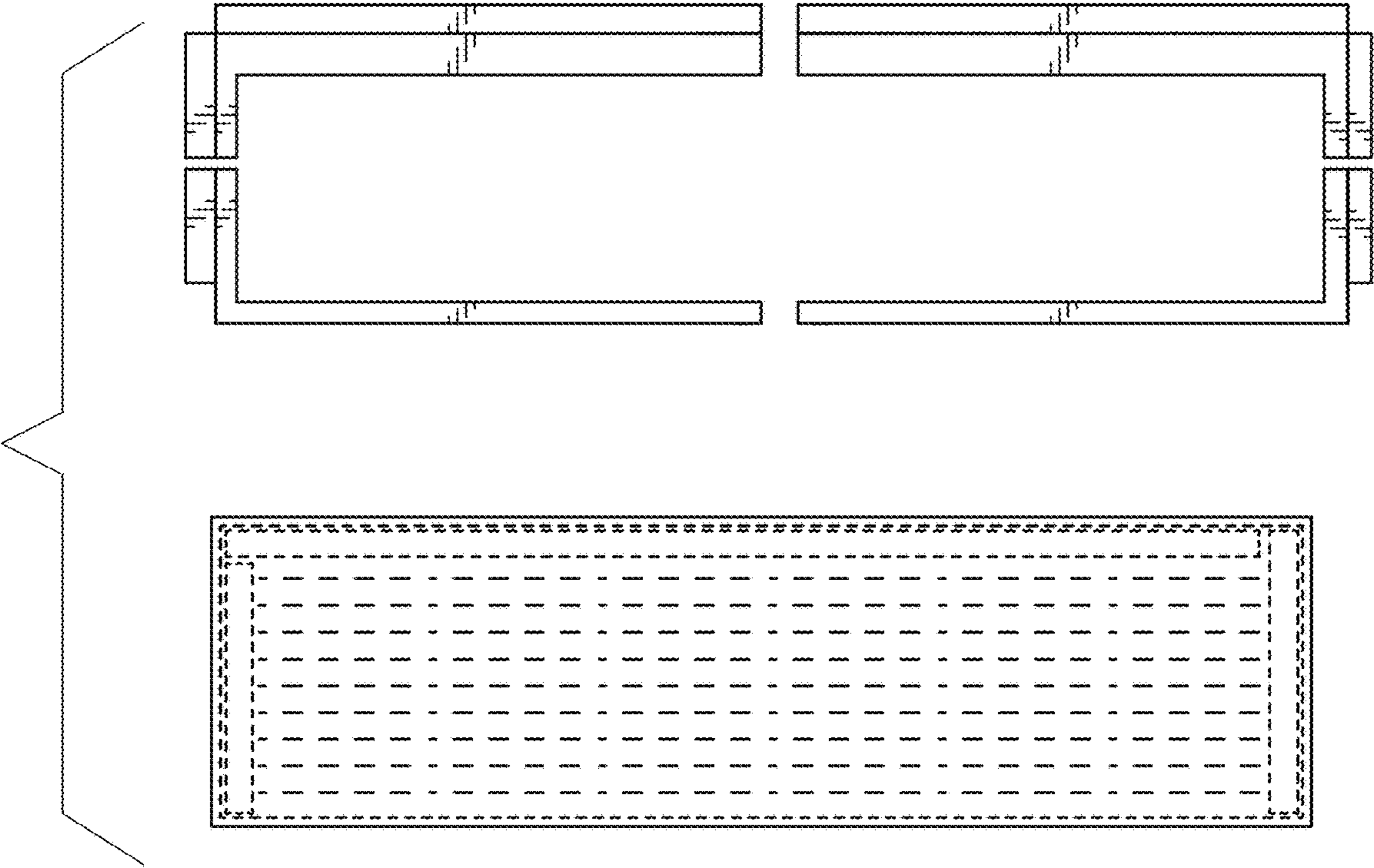


Fig. 3

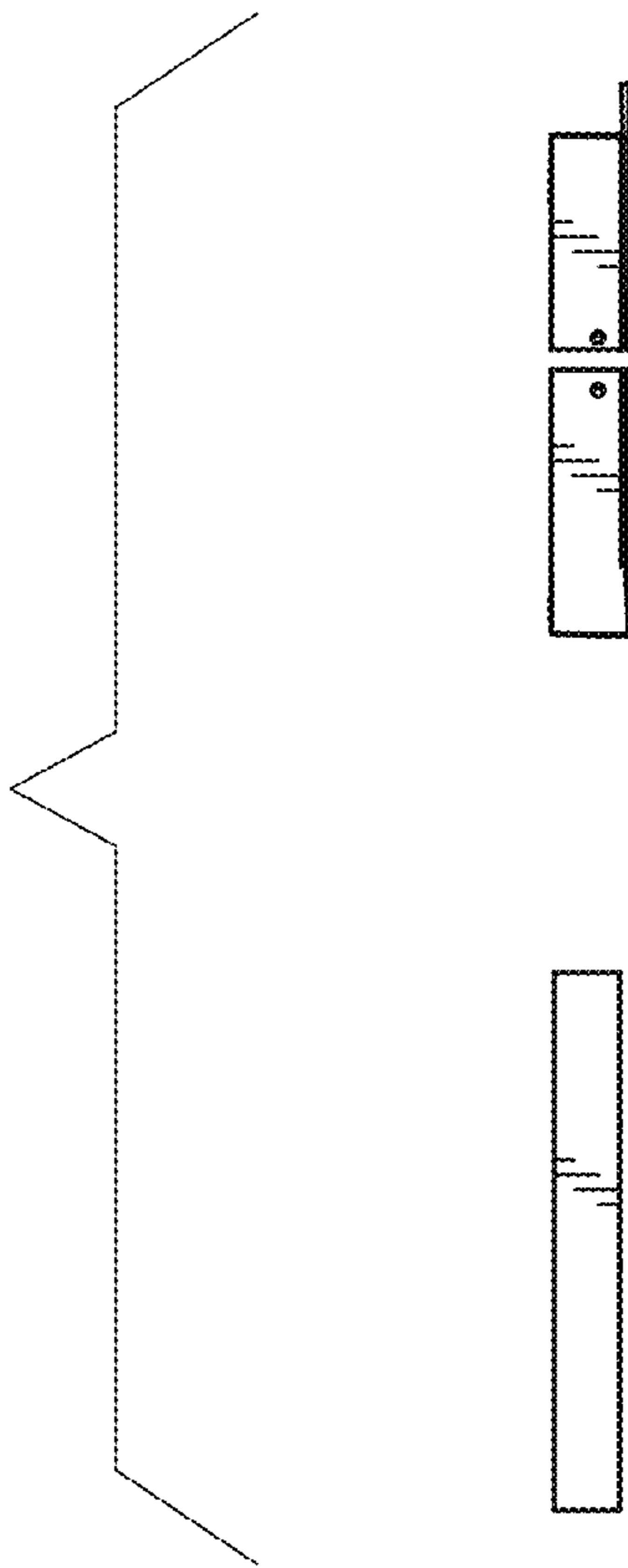


Fig. 4

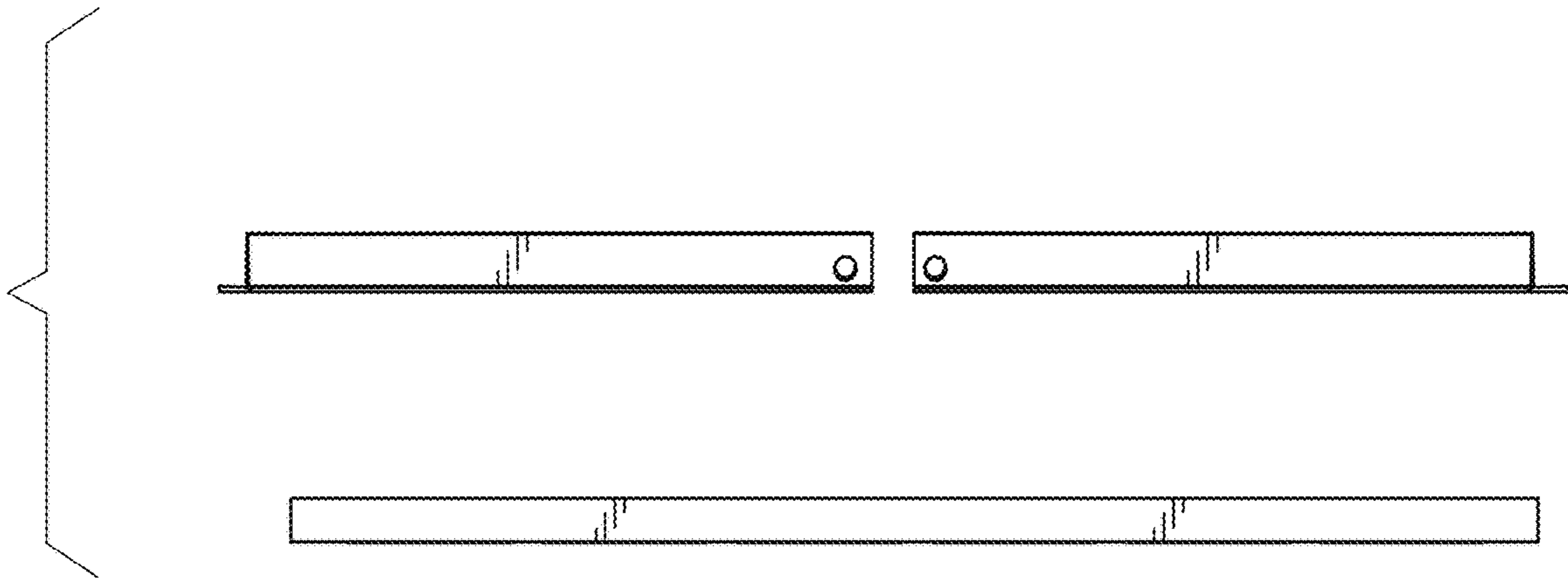


Fig. 5

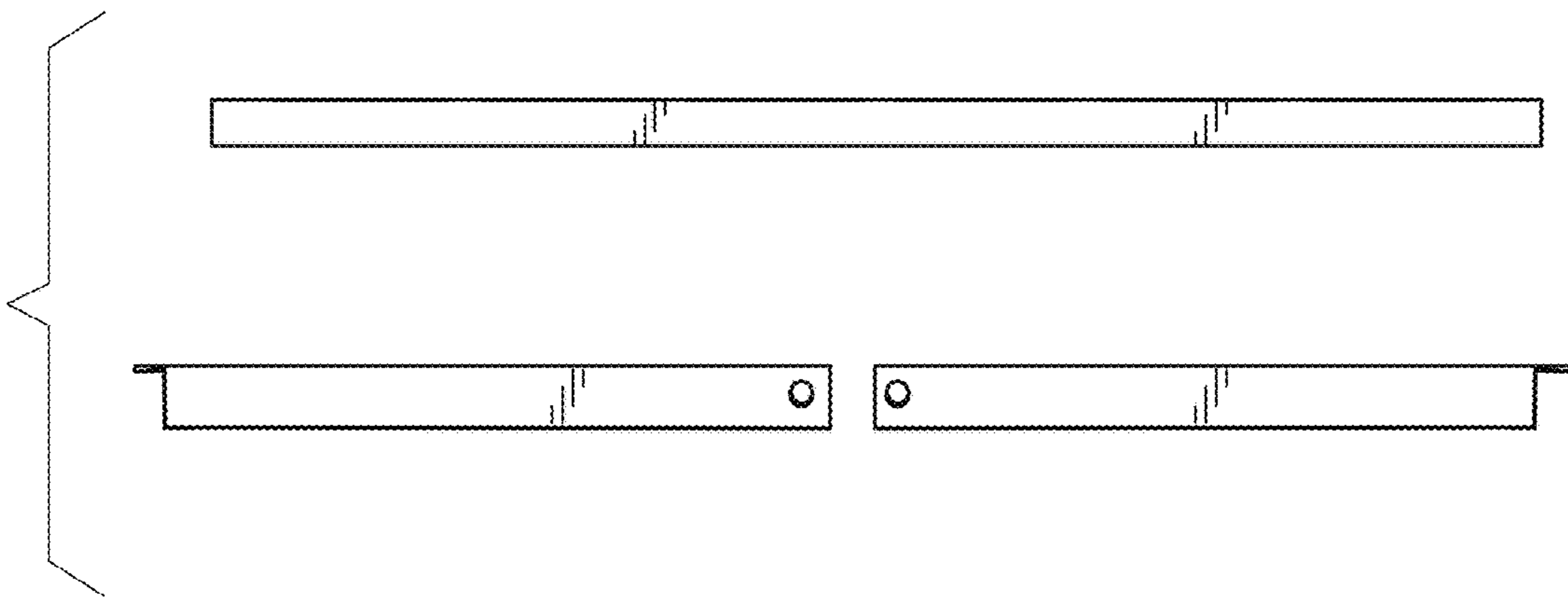


Fig. 6