



US00D796660S

(12) **United States Design Patent** (10) **Patent No.:** **US D796,660 S**
Schulzman (45) **Date of Patent:** **** *Sep. 5, 2017**

(54) **COMBINATION CEILING FAN AND LIGHT FIXTURE**

(71) Applicant: **Minka Lighting, Inc.**, Corona, CA (US)

(72) Inventor: **Kurt Schulzman**, Long Beach, CA (US)

(73) Assignee: **Minka Lighting, Inc.**, Corona, CA (US)

(*) Notice: This patent is subject to a terminal disclaimer.

(**) Term: **15 Years**

(21) Appl. No.: **29/570,698**

(22) Filed: **Jul. 11, 2016**

Related U.S. Application Data

(63) Continuation of application No. 29/503,694, filed on Sep. 29, 2014, now Pat. No. Des. 762,836.

(51) **LOC (10) Cl.** **23-04**

(52) **U.S. Cl.**
USPC **D23/377**; D26/59

(58) **Field of Classification Search**
USPC D23/370, 377, 379, 384, 385, 387, D23/411-414, 499; D26/51, 59, 67, 72, D26/85, 88, 124; 362/96; 416/5, 170 R, 416/214 R, 184, 206, 207, 210 R, 220 R, 416/244 R; 417/423.1; 392/361-364
CPC F04D 25/088; F04D 29/384; F01D 5/02; F21S 8/04; F21V 33/00; F21V 33/0096
See application file for complete search history.

(56) **References Cited**

U.S. PATENT DOCUMENTS

5,151,011 A 9/1992 Rezek
D346,858 S 5/1994 Lee

D378,403 S 3/1997 Jaspers-Fayer
D382,636 S 8/1997 Yang
D384,737 S 10/1997 Gee, II
D389,568 S 1/1998 Gee, II et al.
D389,569 S 1/1998 Gee, II et al.
D396,530 S 7/1998 Tai
D408,518 S 4/1999 Liu
D408,524 S 4/1999 Tsuji et al.
5,899,663 A 5/1999 Feder et al.
D450,830 S 11/2001 Hidalgo
D475,782 S 6/2003 Hidalgo
D476,408 S 6/2003 Hidalgo

(Continued)

Primary Examiner — Susan Bennett Hattan

Assistant Examiner — Marie Fast Horse

(74) *Attorney, Agent, or Firm* — Baker & McKenzie LLP

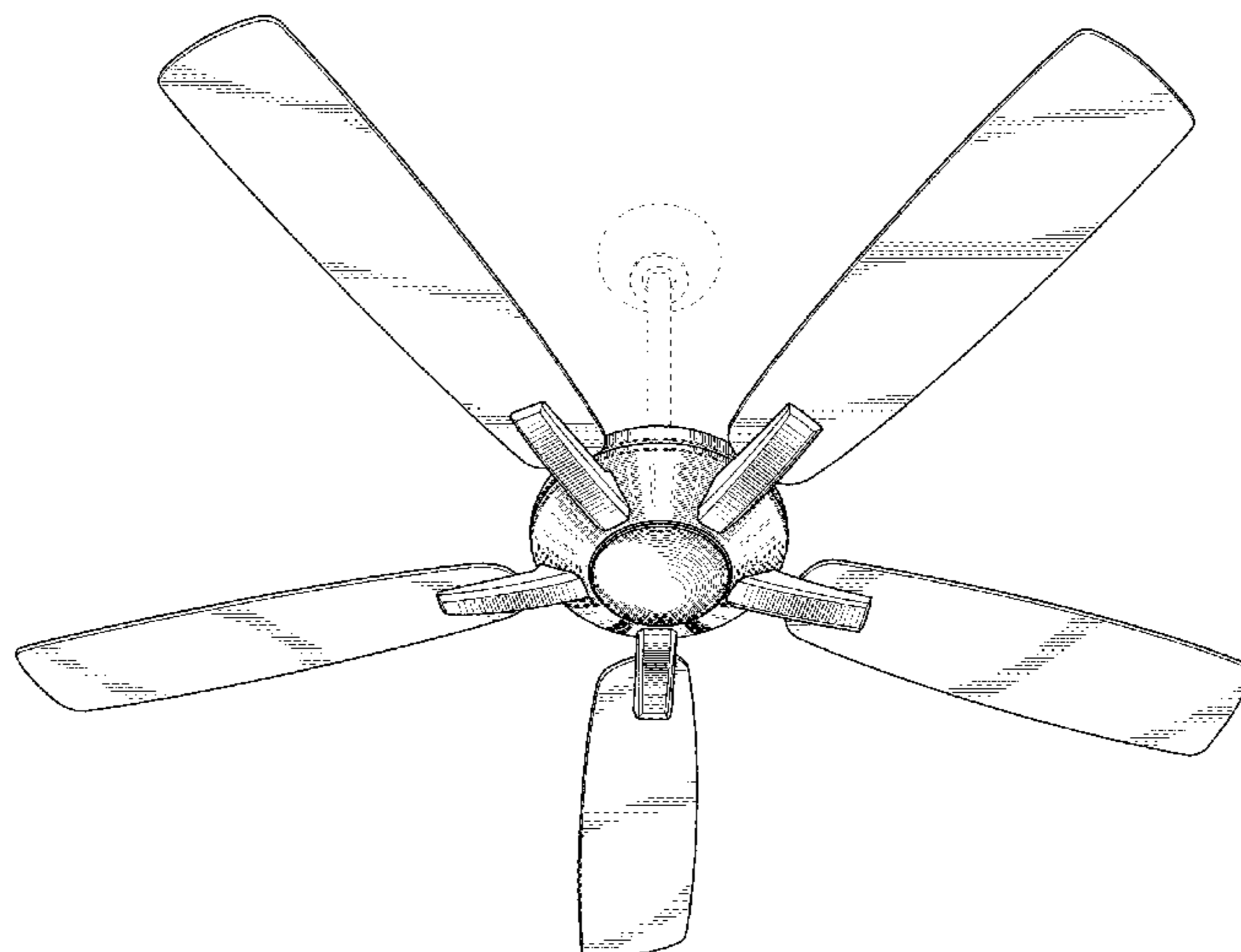
(57) **CLAIM**

The ornamental design for a combination ceiling fan and light fixture, as shown and described.

DESCRIPTION

FIG. 1 is a perspective view of a combination ceiling fan and light fixture in accordance with my design;
FIG. 2 is a top plan view of the combination ceiling fan and light fixture in accordance with my design;
FIG. 3 is a bottom plan view of the combination ceiling fan and light fixture in accordance with my design;
FIG. 4 is a rear elevation view of the combination ceiling fan and light fixture in accordance with my design;
FIG. 5 is a front elevation view of the combination ceiling fan and light fixture in accordance with my design;
FIG. 6 is a right-side elevation view of the combination ceiling fan and light fixture in accordance with my design; and,
FIG. 7 is a left-sided elevation view of the combination ceiling fan and light fixture in accordance with my design. The broken-line disclosure of elements is understood to represent portions of the article in which the design is embodied, but which form no part of the claimed design.

1 Claim, 5 Drawing Sheets



(56)

References Cited

U.S. PATENT DOCUMENTS

D476,728 S	7/2003	Gajewski	D594,958 S	6/2009	Hidalgo	
D477,068 S	7/2003	Hsieh	D599,461 S	9/2009	Ertze	
D483,850 S	12/2003	Tai	D603,035 S	10/2009	Yang	
D484,588 S	12/2003	Tai	D607,096 S	12/2009	Searle	
D485,344 S	1/2004	Tai	D621,496 S	8/2010	Chen	
D488,555 S	4/2004	Huang	D627,051 S	11/2010	Pan	
6,884,035 B2	4/2005	Young	D635,236 S	3/2011	Orozco	
D510,428 S	10/2005	Hidalgo	D648,843 S	11/2011	Chen	
D523,545 S	6/2006	Young	D671,632 S	11/2012	Jones et al.	
D529,163 S	9/2006	Young	D690,410 S	9/2013	Passauer, III	
D531,298 S	10/2006	Hidalgo	D692,120 S	10/2013	Noble et al.	
D547,857 S	7/2007	Lee	D706,920 S	6/2014	Cohen	
D553,731 S	10/2007	Bucher et al.	D715,918 S	10/2014	Pan	
D572,814 S	7/2008	Bucher et al.	D715,919 S	10/2014	Pan	
D576,265 S	9/2008	Bucher et al.	D744,629 S	12/2015	Wang	
D586,902 S	2/2009	Orozco	D744,633 S	12/2015	Wang	
D590,489 S	4/2009	Bucher et al.	D762,836 S *	8/2016	Schulzman D23/377
D593,194 S	5/2009	Pan	D762,839 S *	8/2016	Schulzman D23/411
			D780,905 S *	3/2017	Schulzman D23/411
			2003/0219340 A1	11/2003	Hidalgo	

* cited by examiner

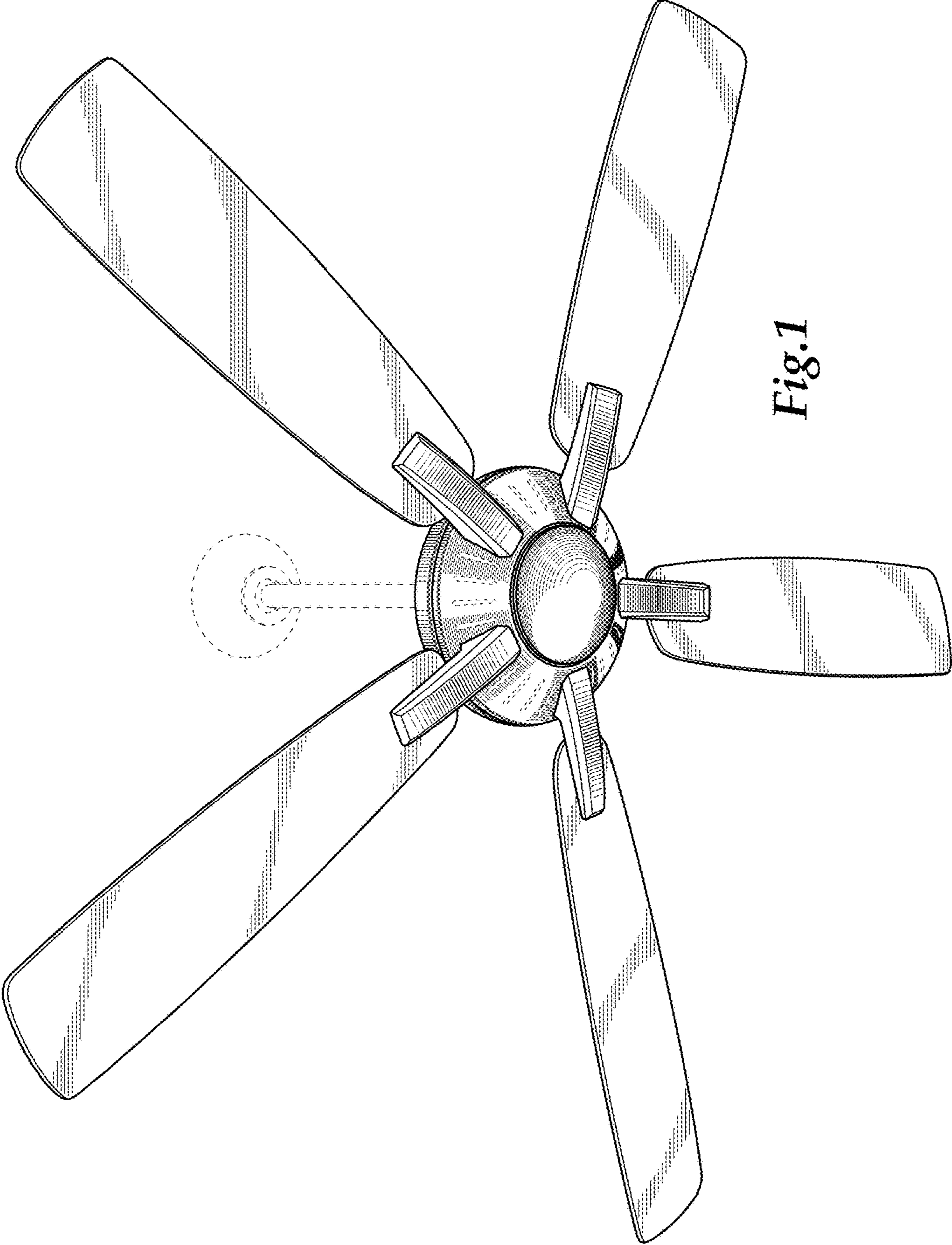


Fig. 1

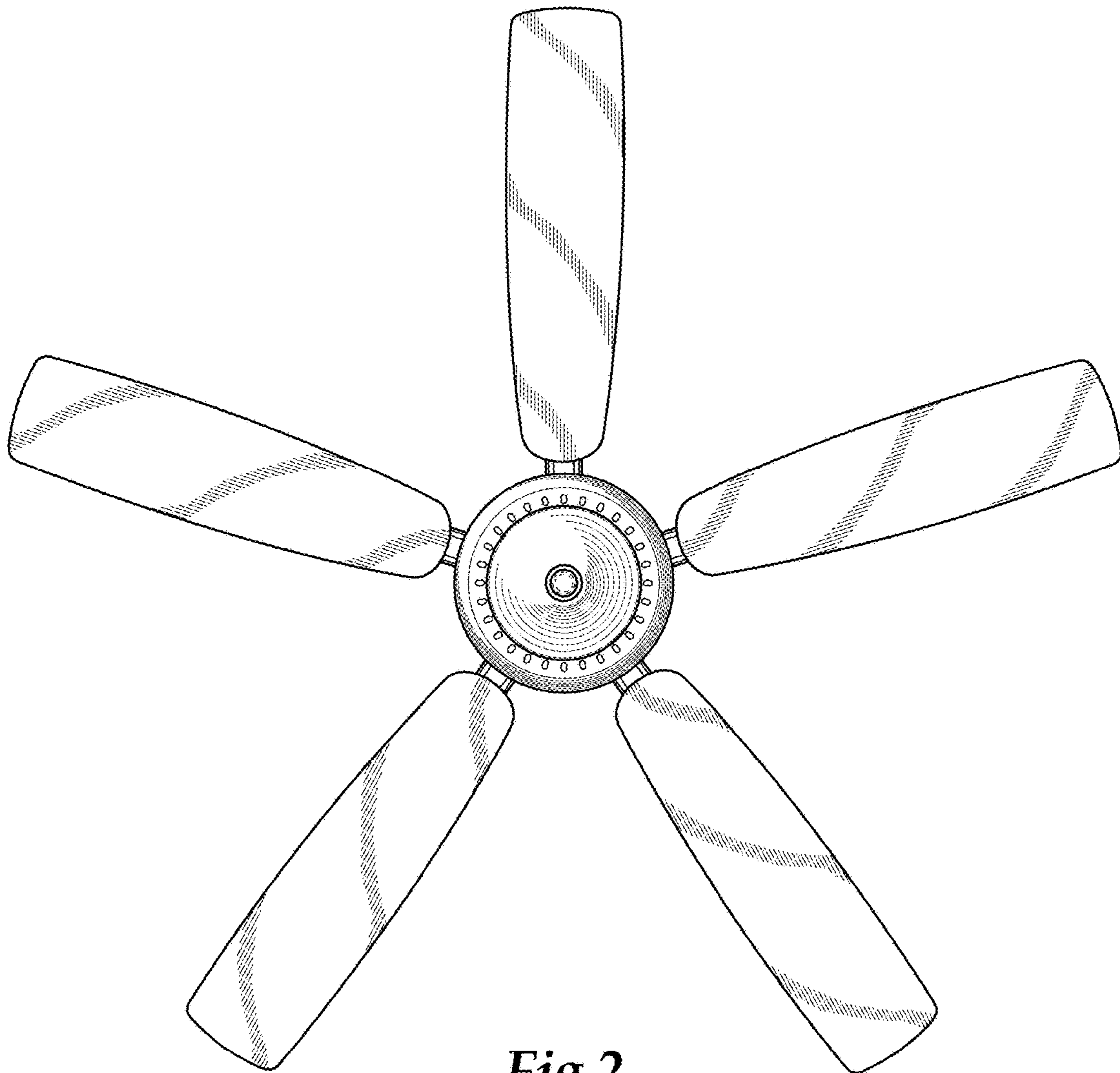


Fig. 2

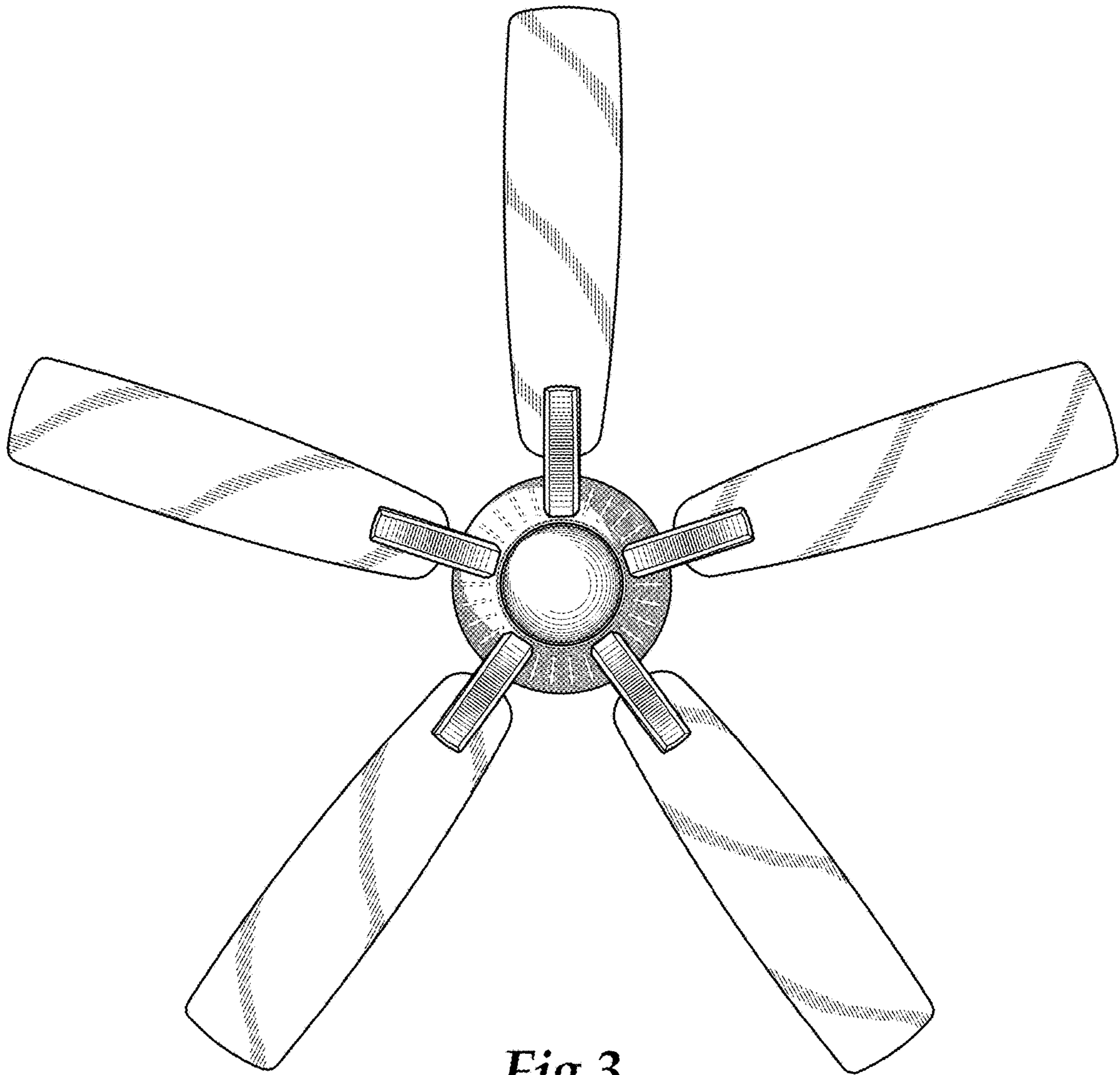


Fig.3

