



US00D796656S

(12) **United States Design Patent** (10) **Patent No.:** **US D796,656 S**
Skillman (45) **Date of Patent:** **** Sep. 5, 2017**

(54) **PORTABLE FIREPLACE WITH BASE**
(71) Applicant: **Matthew Skillman**, Boardman, OH (US)
(72) Inventor: **Matthew Skillman**, Boardman, OH (US)
(**) Term: **15 Years**
(21) Appl. No.: **29/567,812**
(22) Filed: **Jun. 13, 2016**
(51) **LOC (10) Cl.** **23-03**
(52) **U.S. Cl.**
USPC **D23/343**
(58) **Field of Classification Search**
USPC D23/314, 320, 332, 335-337, 343,
D23/347-350, 386, 403-409, 416, 41;
D7/332, 334-337, 339, 341
CPC A47J 2037/0777; A47J 37/0763
See application file for complete search history.

D370,868 S * 6/1996 Phelps D11/131
D408,322 S * 4/1999 Yurk D11/152
D431,132 S * 9/2000 Lewis D6/692.3
D552,271 S * 10/2007 Timmann D26/9
D558,511 S * 1/2008 Brunner D7/332
D572,169 S * 7/2008 De Roeck D11/155
D612,290 S * 3/2010 Donovan D11/155
D773,623 S * 12/2016 King D23/343
D774,172 S * 12/2016 Zemel D23/343

(56) **References Cited**

U.S. PATENT DOCUMENTS

D96,638 S * 8/1935 Anderson D7/339
D119,257 S * 3/1940 di Montelera D11/154
D119,643 S * 3/1940 Sawyer D11/153
D121,896 S * 8/1940 Fuerst D11/154
D168,092 S * 11/1952 Hedu D11/153
2,842,116 A * 7/1958 Hinderer A47J 37/0763
126/25 R
2,860,624 A * 11/1958 Eddy A47J 37/0763
126/211
D185,516 S * 6/1959 Smith D7/332
D242,160 S * 11/1976 Ruark D11/155
D257,207 S * 10/1980 Tisdale D7/337
D258,259 S * 2/1981 Lindholm D7/332
D275,468 S * 9/1984 Grant D11/157
4,938,202 A * 7/1990 Hait F24C 1/16
126/38
5,094,223 A * 3/1992 Gonzalez F24B 15/005
126/25 B

OTHER PUBLICATIONS

Ohio Flame, Patriot Fire Pit, Archived May 2015, [online], Retrieved from Archive.org on Mar. 21, 2017 <URL:http://web.archive.org/web/20150526031132/http://ohioflame.com/shop/patriot-fire-pit>.*
TheFirePitStore.com, Fire Pit Basics and Safely Using Yours, Apr. 2015, [online], Retrieved from <URL:http://www.blog.thefirepitstore.com/f%D1%096r%D0%B5-pit-basics-and-safety-using-yours/>.*

(Continued)

Primary Examiner — Sheryl Lane
Assistant Examiner — Calvin E Vansant
(74) *Attorney, Agent, or Firm* — Roger D. Emerson;
Emerson Thomson Bennett, LLC

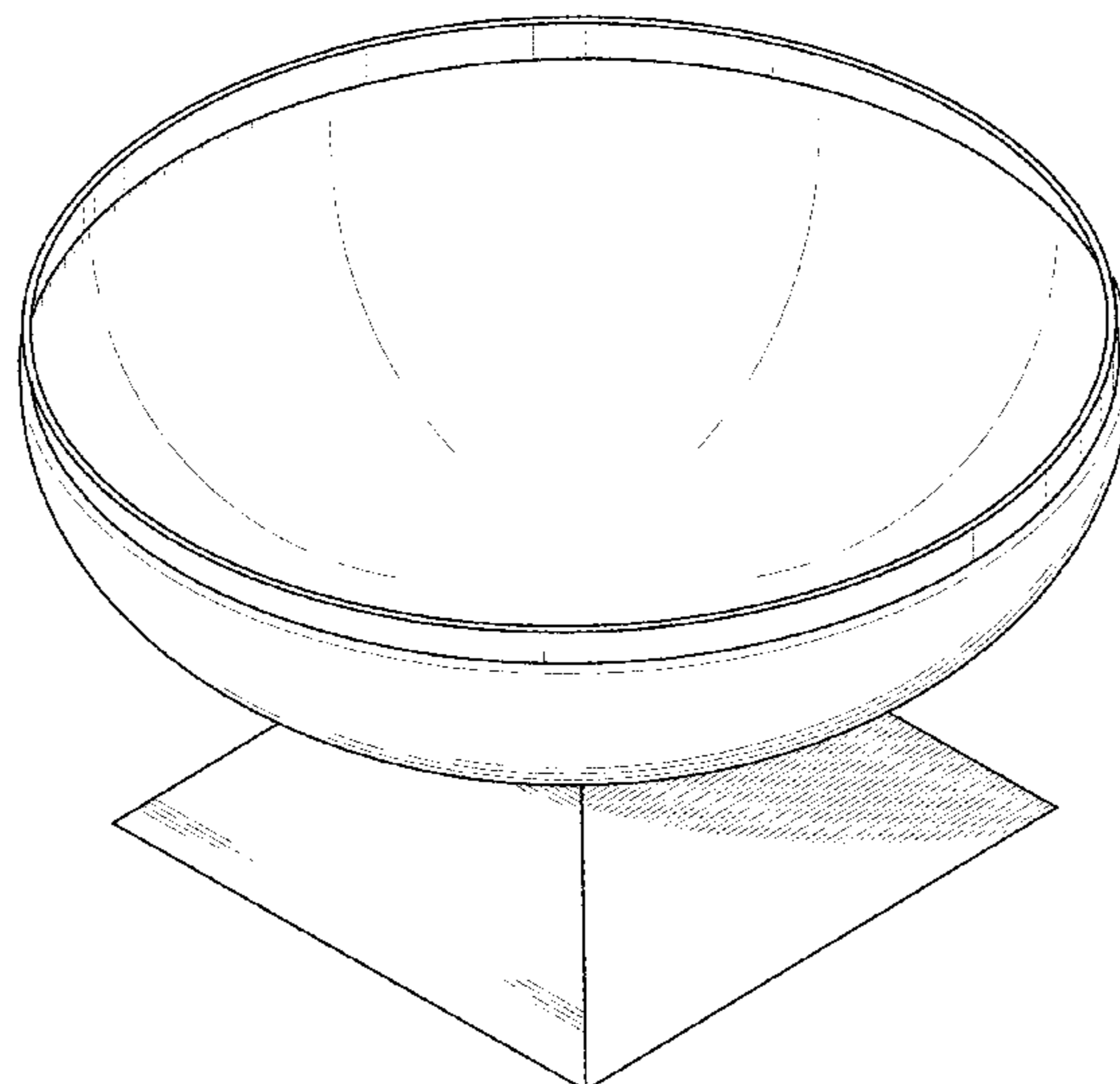
(57) **CLAIM**

The ornamental design for a portable fireplace with base, as shown and described.

DESCRIPTION

FIG. 1 is a front perspective view of the portable fireplace with base showing the claimed design;
FIG. 2 is a side view thereof;
FIG. 3 is a second side view of the side opposite FIG. 2 showing the uniform design thereof;
FIG. 4 is a top view thereof; and,
FIG. 5 is a bottom view thereof.

1 Claim, 3 Drawing Sheets



(56)

References Cited

OTHER PUBLICATIONS

NSH Nordic, Kokille Alutop Ball with Ball, online product page, undated, Retrieved from <URL:<http://www.nshnordic.com/en/products/fence/fence-posts/pole-caps/kokille-alutop-ball-ball>>.*
S&S Fire Pits, 30" Elliptical Short Boy, [online product page], Retrieved from <URL:<http://ssfirepits.com/wp-content/uploads/2016/04/Low-Boy-30-inch-pit.jpg>>.*

* cited by examiner

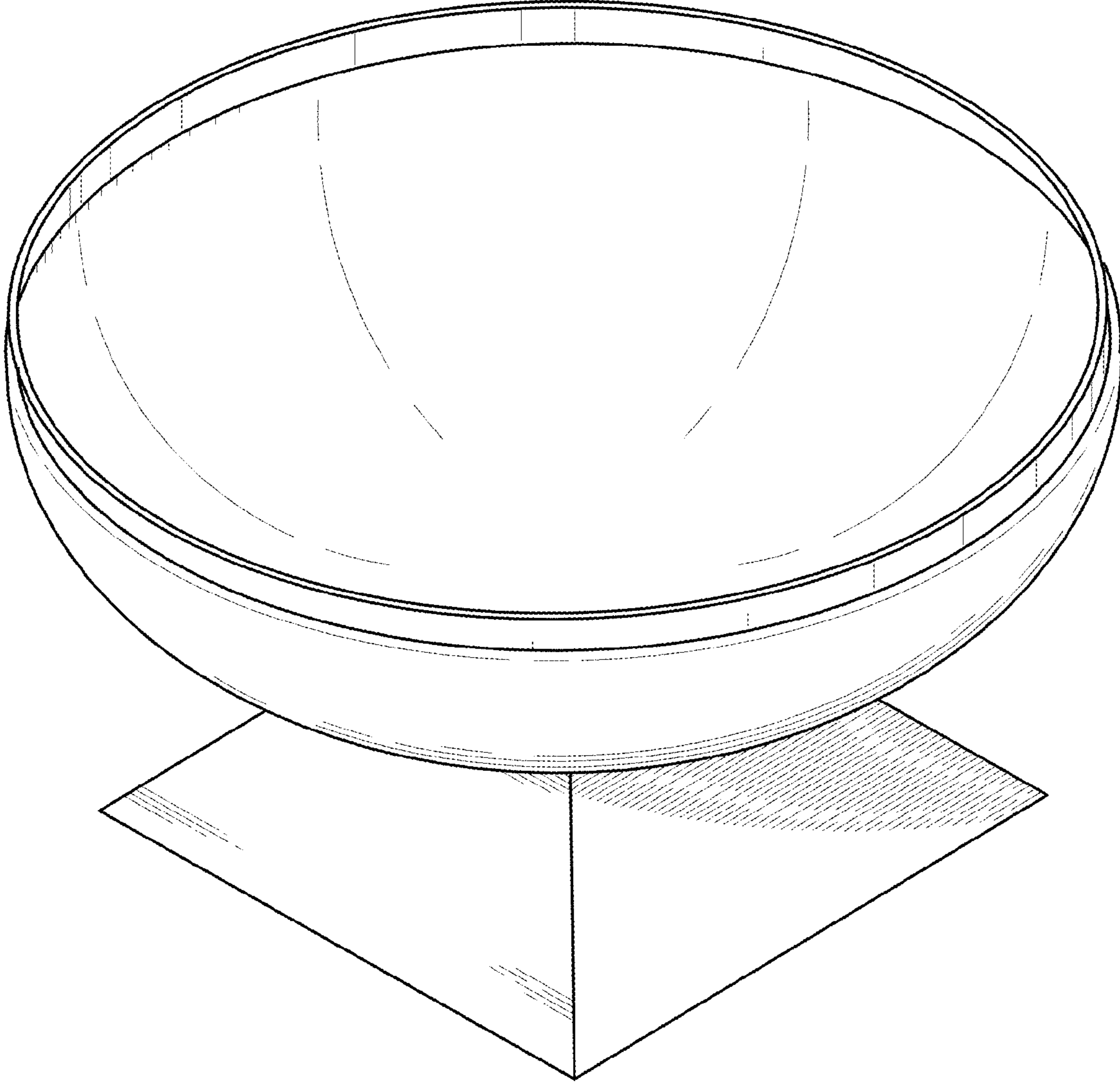


FIG. 1

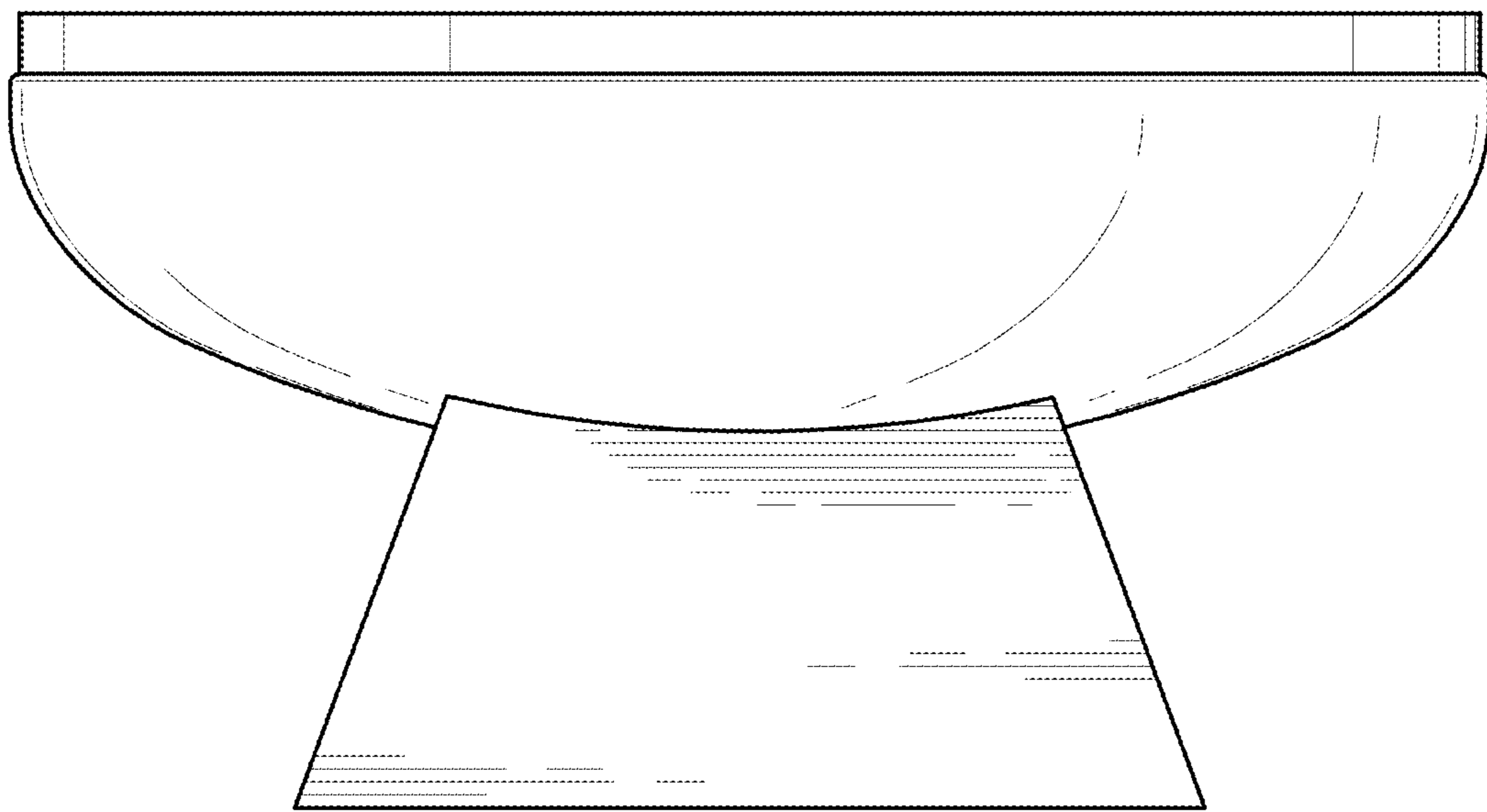


FIG. 2

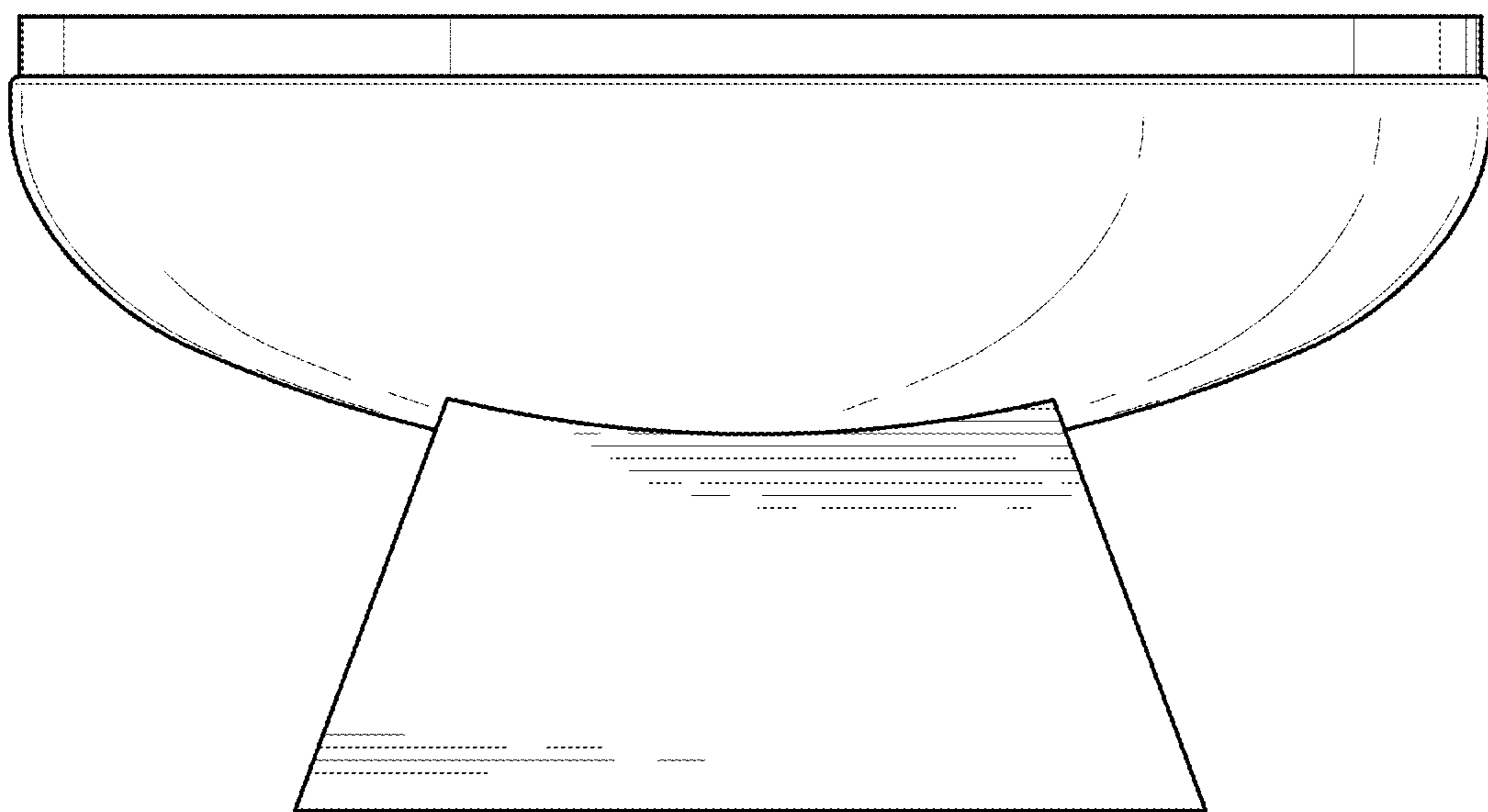


FIG. 3

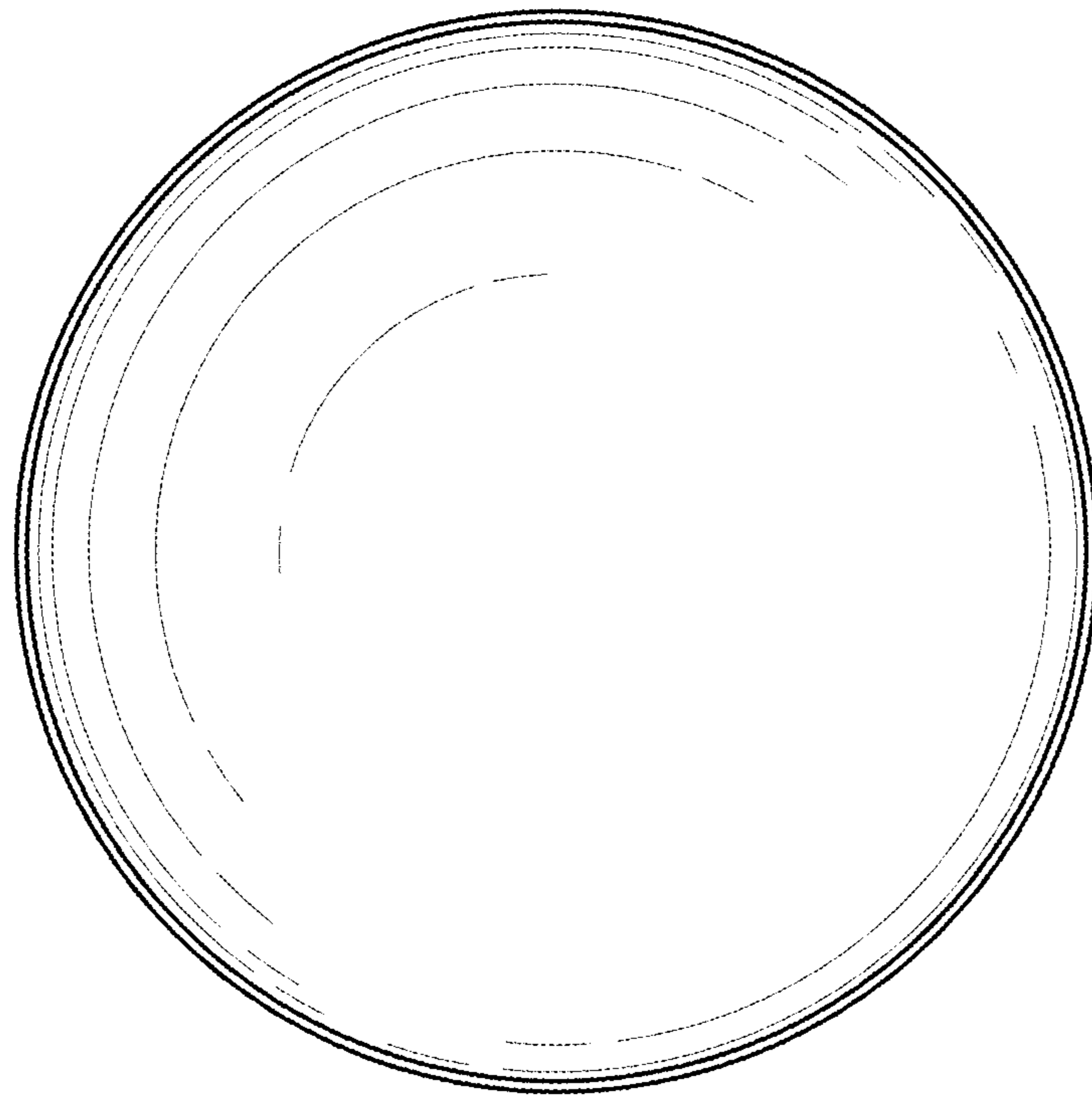


FIG. 4

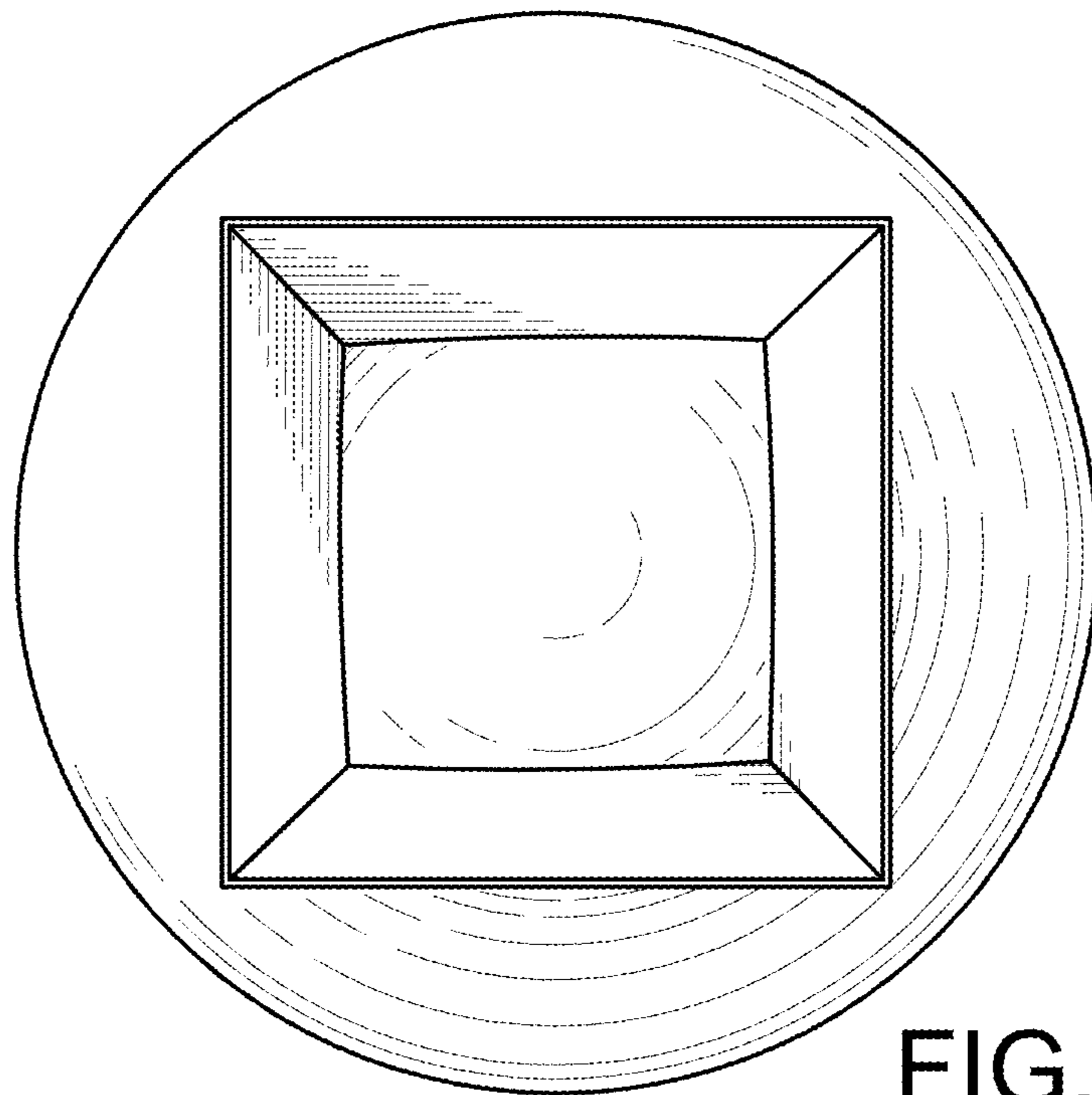


FIG. 5