



US00D796655S

(12) **United States Design Patent**
Horne, III

(10) **Patent No.:** **US D796,655 S**
(45) **Date of Patent:** **** Sep. 5, 2017**

(54) **FIRE PIT SYSTEM**

(71) Applicant: **Stebin Horne, III**, Macon, GA (US)

(72) Inventor: **Stebin Horne, III**, Macon, GA (US)

(**) Term: **15 Years**

(21) Appl. No.: **29/562,448**

(22) Filed: **Apr. 26, 2016**

(51) **LOC (10) Cl.** **23-03**

(52) **U.S. Cl.**
USPC **D23/336; D23/348**

(58) **Field of Classification Search**
USPC D23/314, 320, 332, 335-337, 343,
D23/347-350, 386, 403-409, 416, 41
CPC A47J 2037/0777; A47J 37/0763
See application file for complete search history.

(56) **References Cited**

U.S. PATENT DOCUMENTS

| | | | | | |
|-----------|-----|---------|------------|-------|--------------|
| 1,666,293 | A * | 4/1928 | Lorton | | A47J 33/00 |
| | | | | | 108/30 |
| D186,487 | S * | 10/1959 | Brooks | | D7/336 |
| 4,096,951 | A * | 6/1978 | Menssen | | A47K 1/05 |
| | | | | | 211/190 |
| D256,084 | S * | 7/1980 | Lepper | | 99/339 |
| D256,763 | S * | 9/1980 | Vincent | | D7/332 |
| D259,693 | S * | 6/1981 | Ottmar | | D7/336 |
| 4,589,399 | A * | 5/1986 | Hamill | | A47J 37/0763 |
| | | | | | 126/25 A |
| D285,402 | S * | 9/1986 | Hamill | | D7/335 |
| D356,005 | S * | 3/1995 | Goble | | D7/337 |
| D382,765 | S * | 8/1997 | Kellermann | | D7/332 |
| D724,714 | S * | 3/2015 | Benson | | D23/332 |

OTHER PUBLICATIONS

Bushtec, Stack-a-Boma, Nov. 2015, Takealot.com, online product page, Retrieved Mar. 14, 2017 from <URL:http://www.takealot.com/bushtec-stack-a-boma-55cm-x45cm-x15cm/PLID40724801>.*

* cited by examiner

Primary Examiner — Sheryl Lane

Assistant Examiner — Calvin E Vansant

(74) *Attorney, Agent, or Firm* — Withers & Keys, LLC

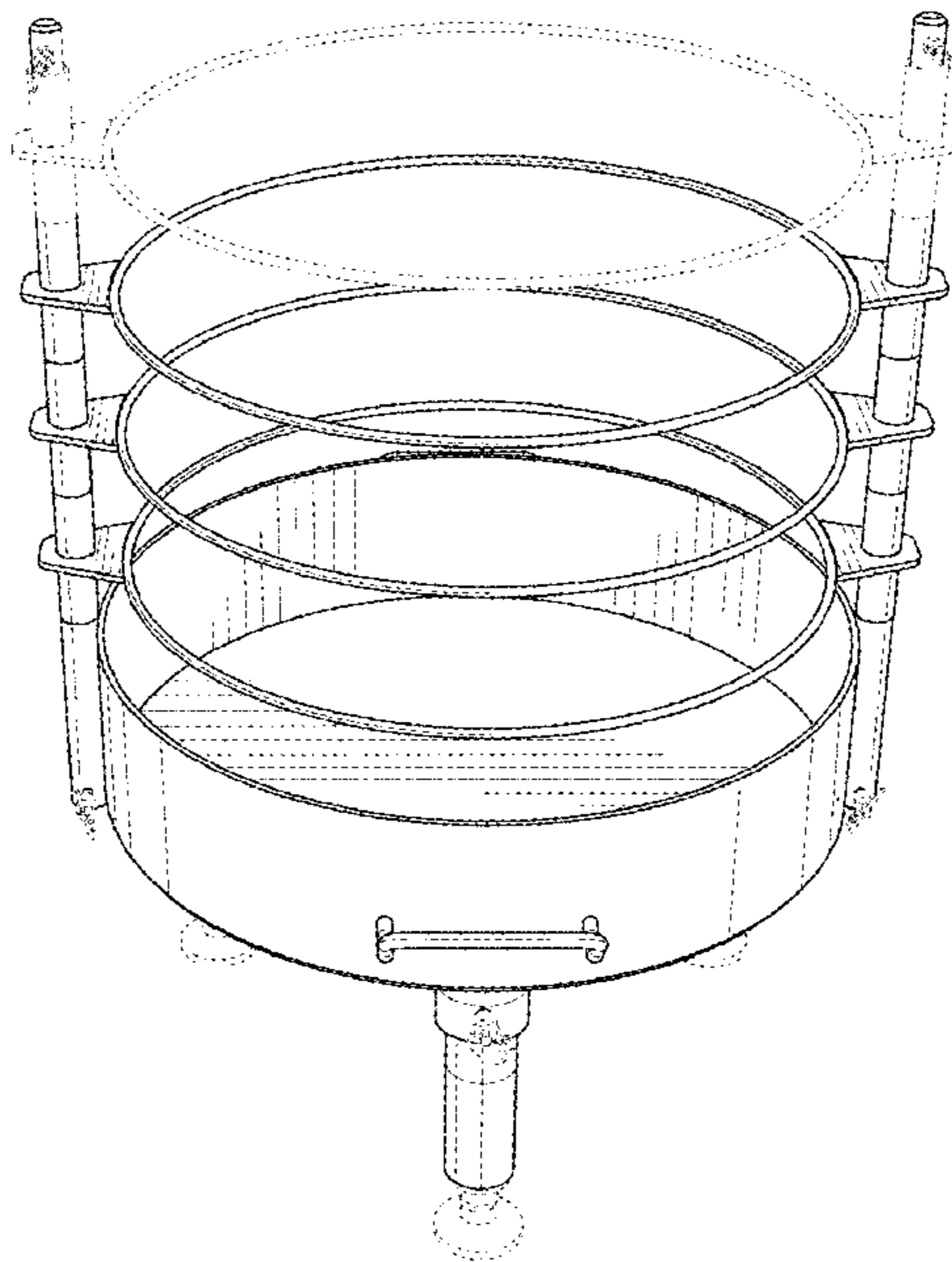
(57) **CLAIM**

The ornamental design for a fire pit system, as shown and described.

DESCRIPTION

FIG. 1 is a perspective view of a fire pit system showing my new design;
FIG. 2 is a frontal view of the fire pit system shown in FIG. 1;
FIG. 3 is a rear view of the fire pit system shown in FIG. 1;
FIG. 4 is a side view thereof as viewed from the right-hand side of the fire pit system shown in FIG. 1;
FIG. 5 is a side view thereof as viewed from the left-hand side of the fire pit system shown in FIG. 1;
FIG. 6 is a top view thereof;
FIG. 7 is a bottom view thereof; and,
FIG. 8 is a perspective view of the fire pit system shown in FIG. 1 in a partially disassembled/assembled state.
The broken lines shown in the drawings illustrate portions of the fire pit system that forms no part of the claimed design.

1 Claim, 8 Drawing Sheets



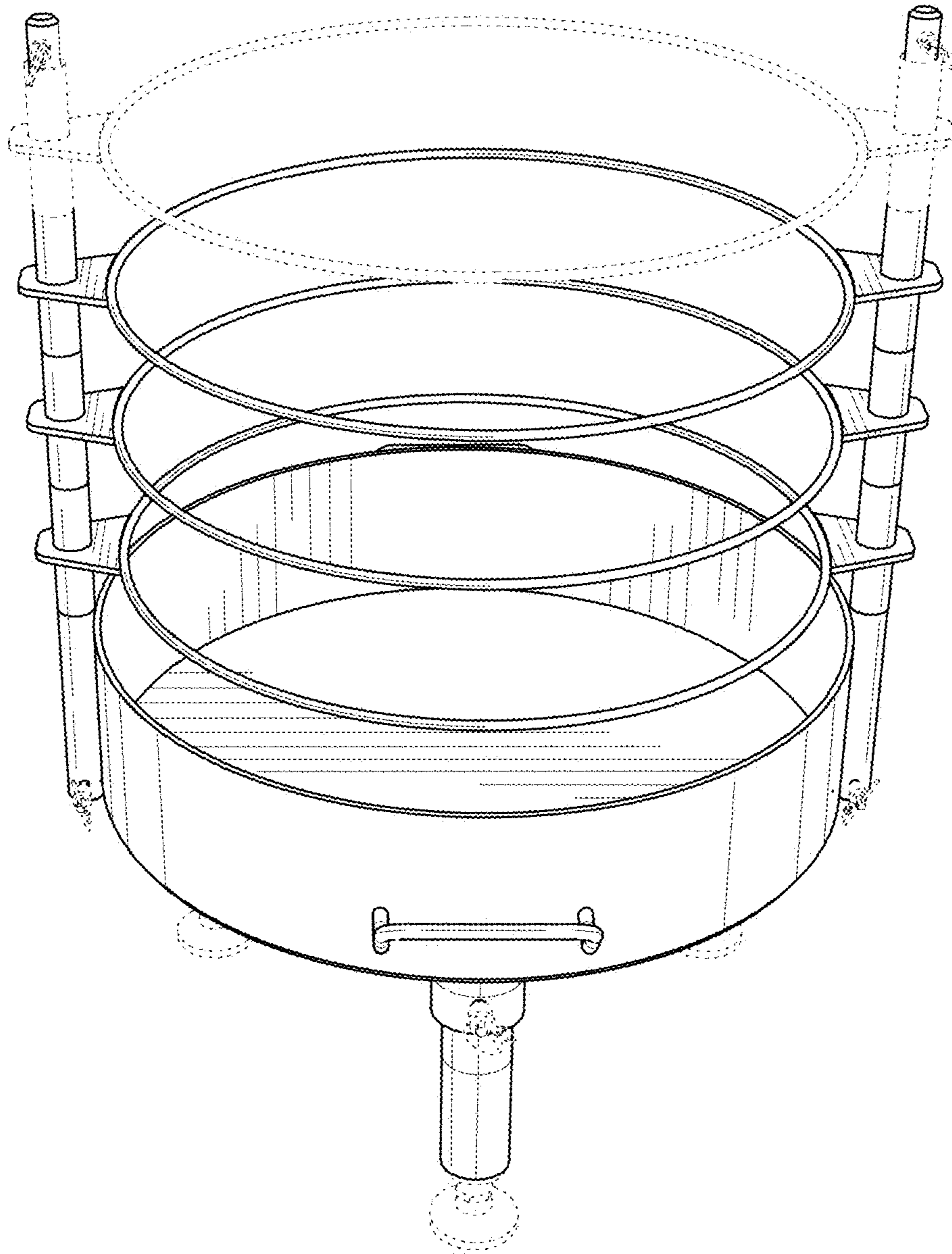


FIG. 1

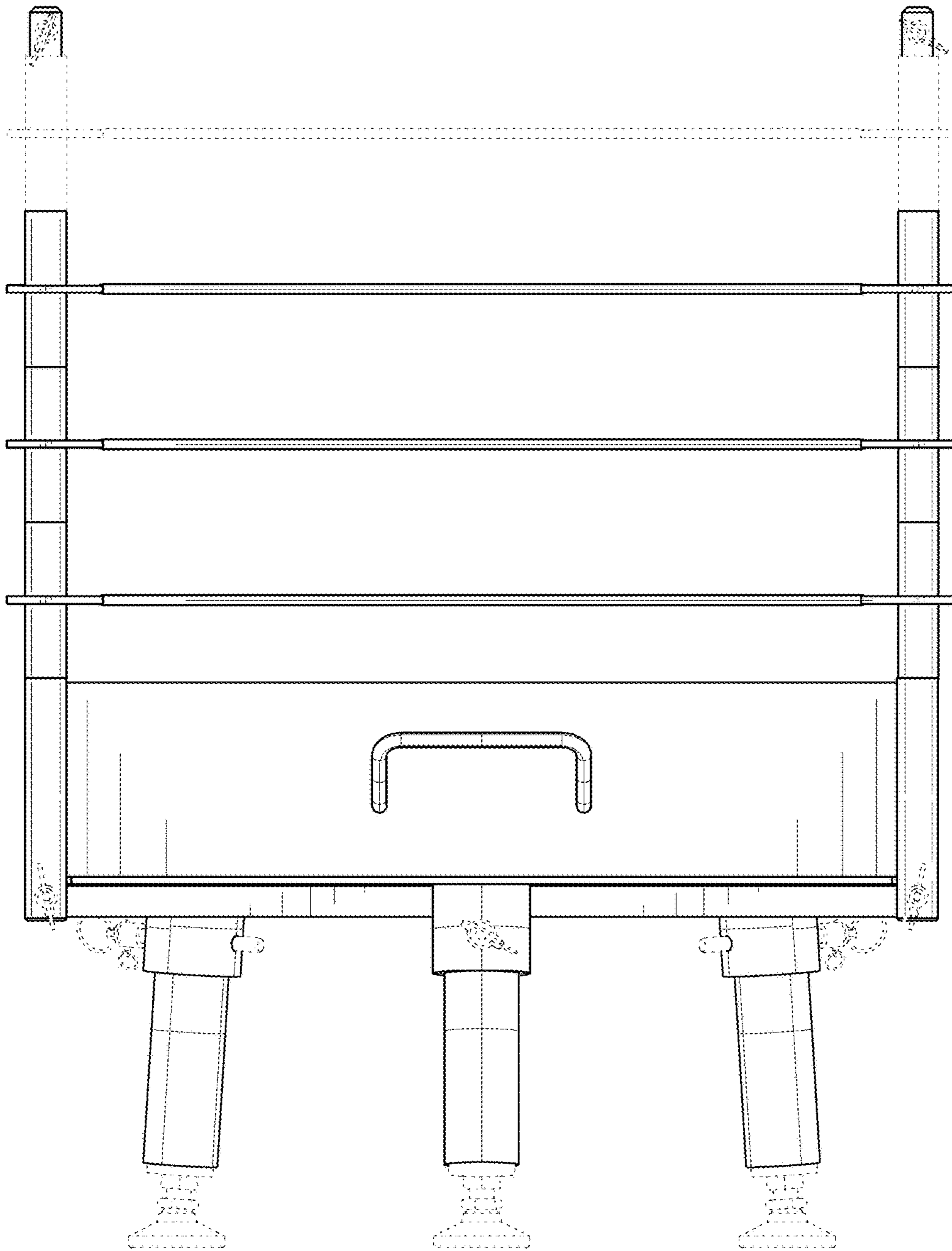


FIG. 2

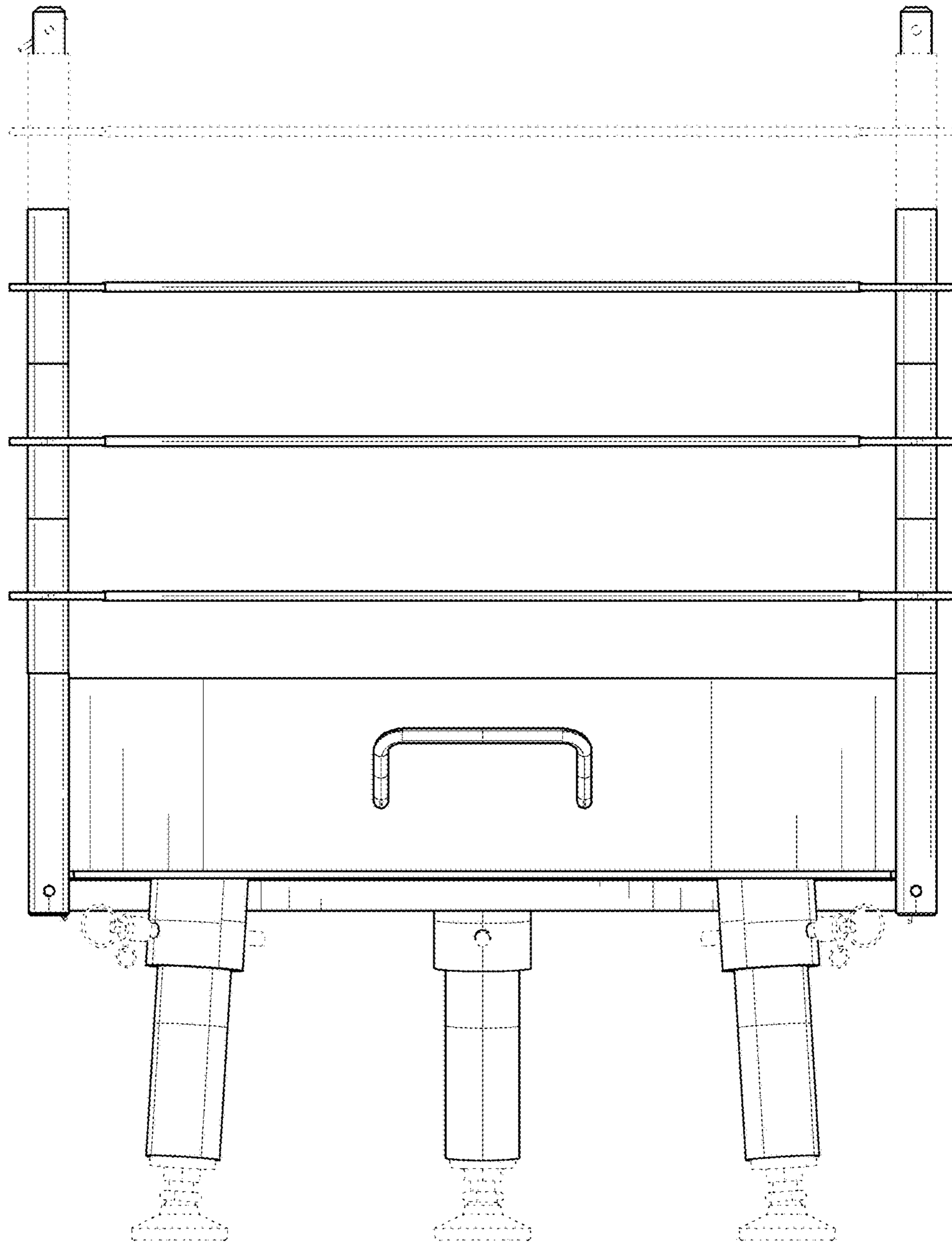


FIG. 3

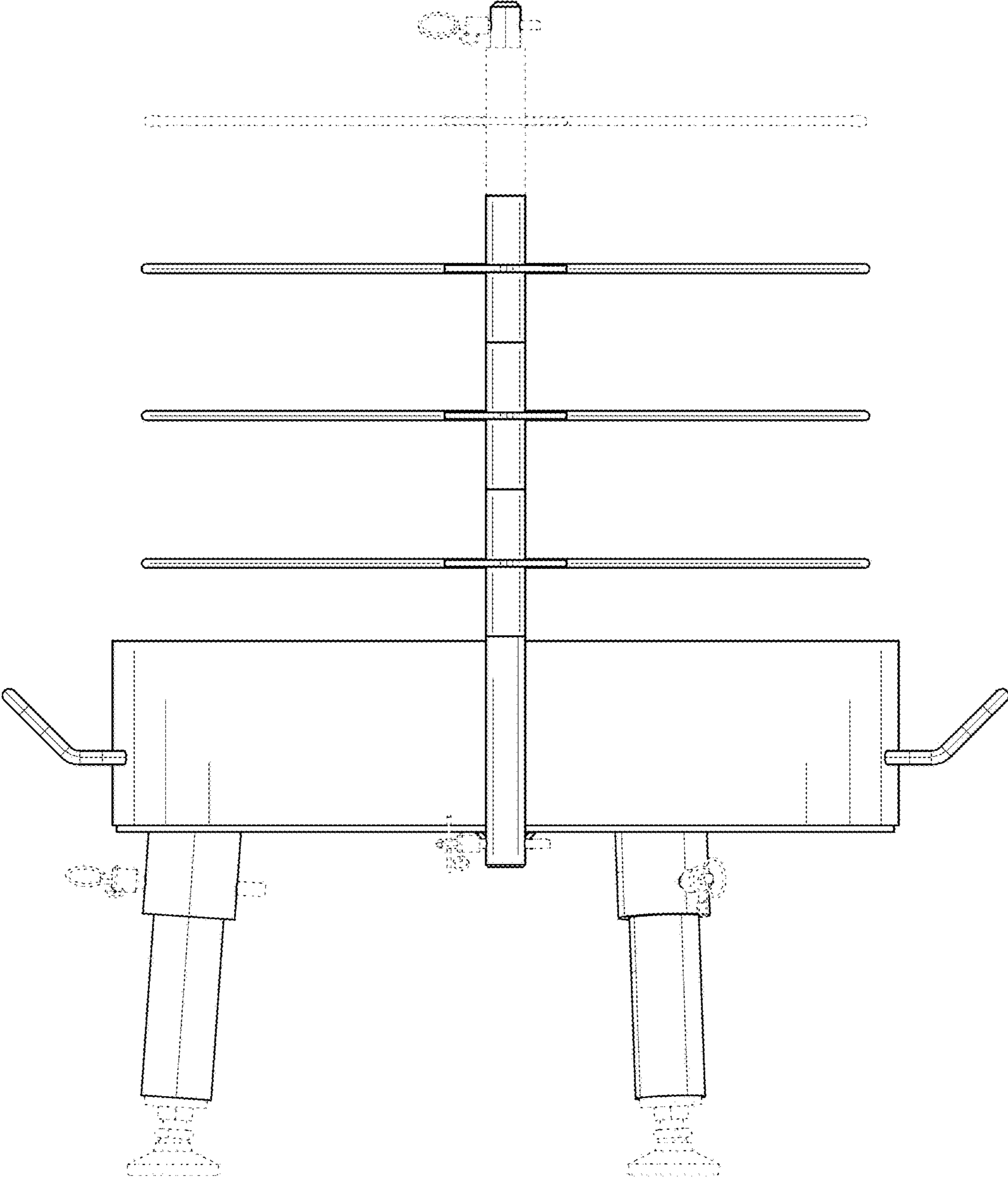


FIG. 4

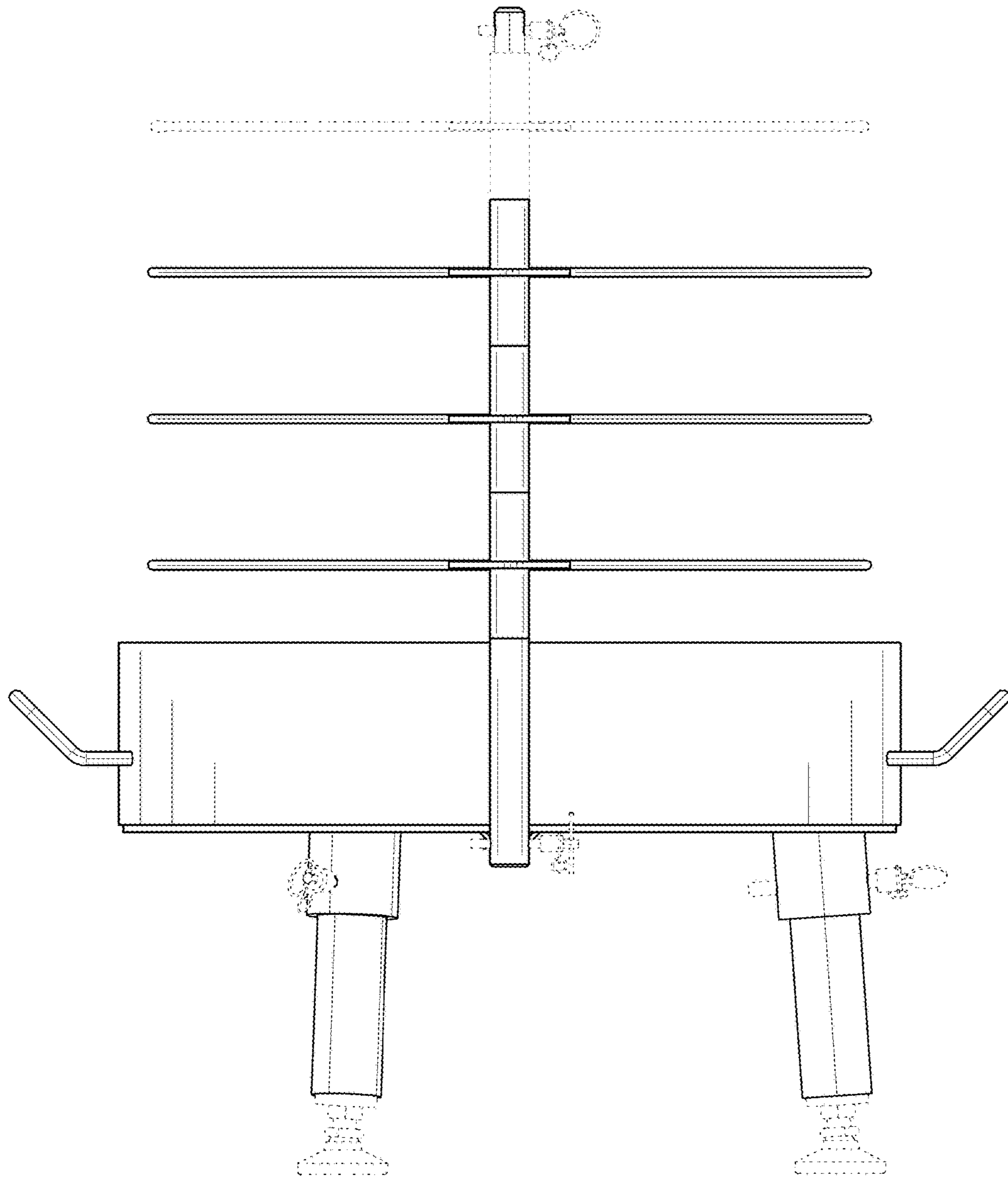


FIG. 5

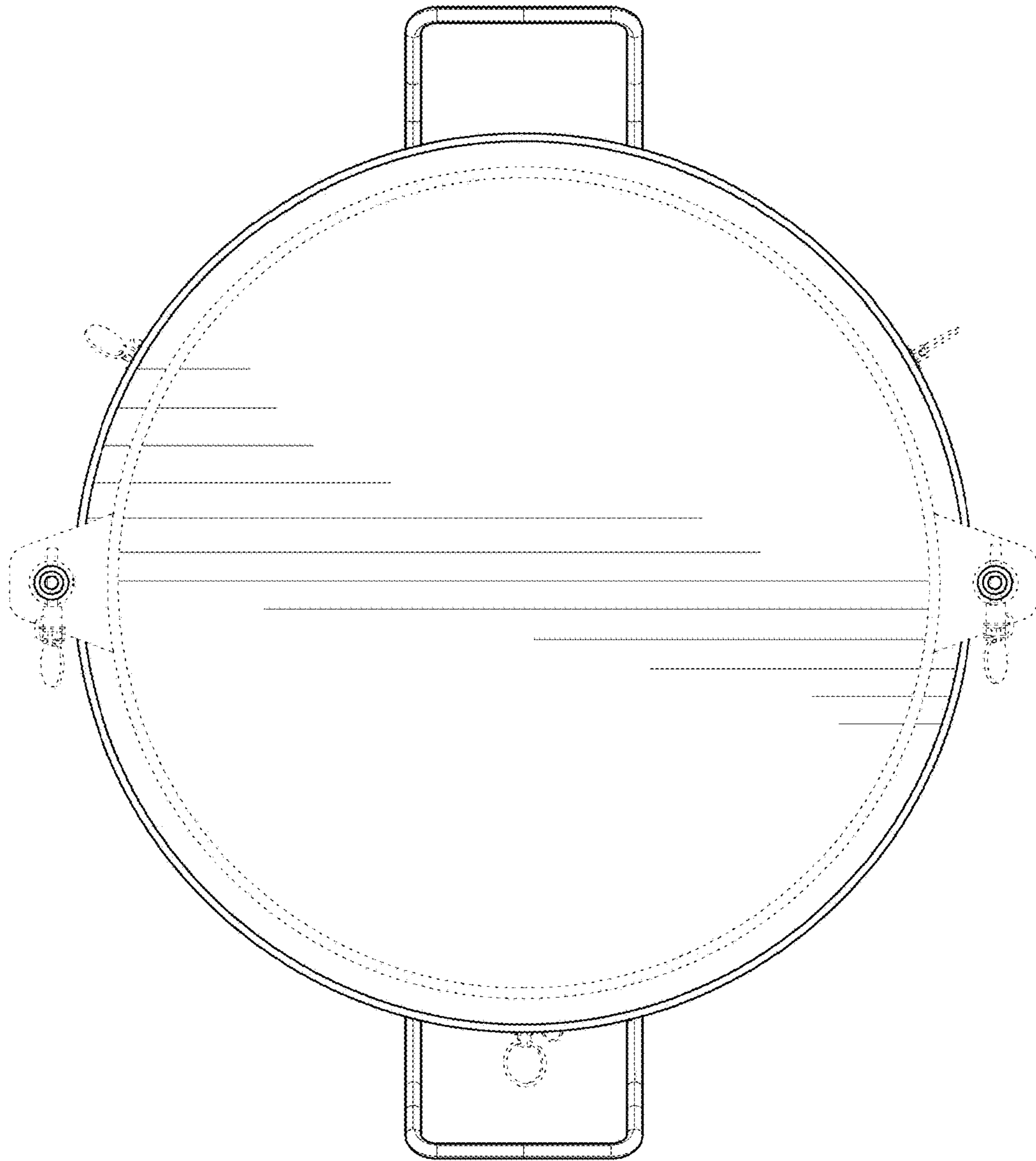


FIG. 6

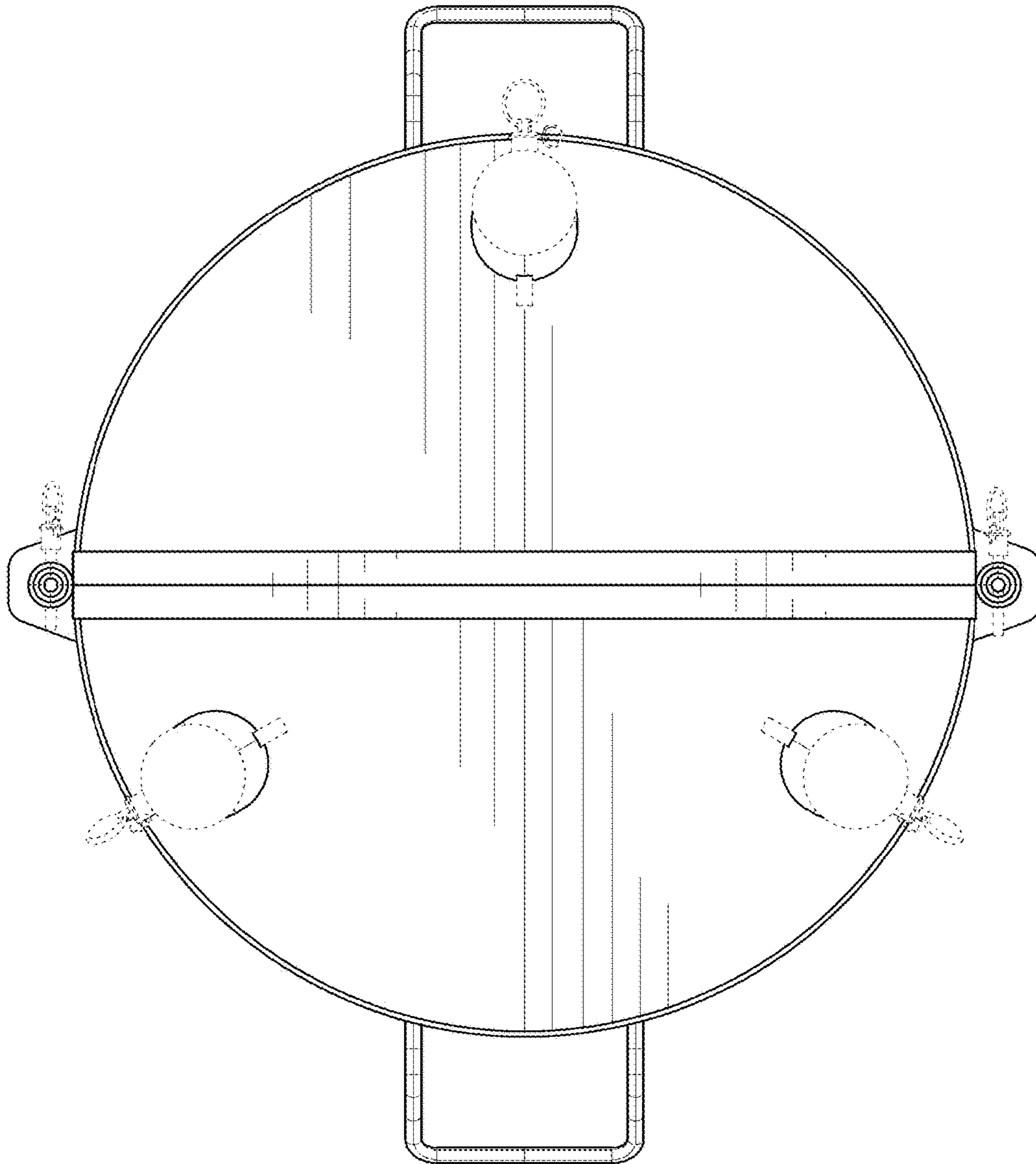


FIG. 7

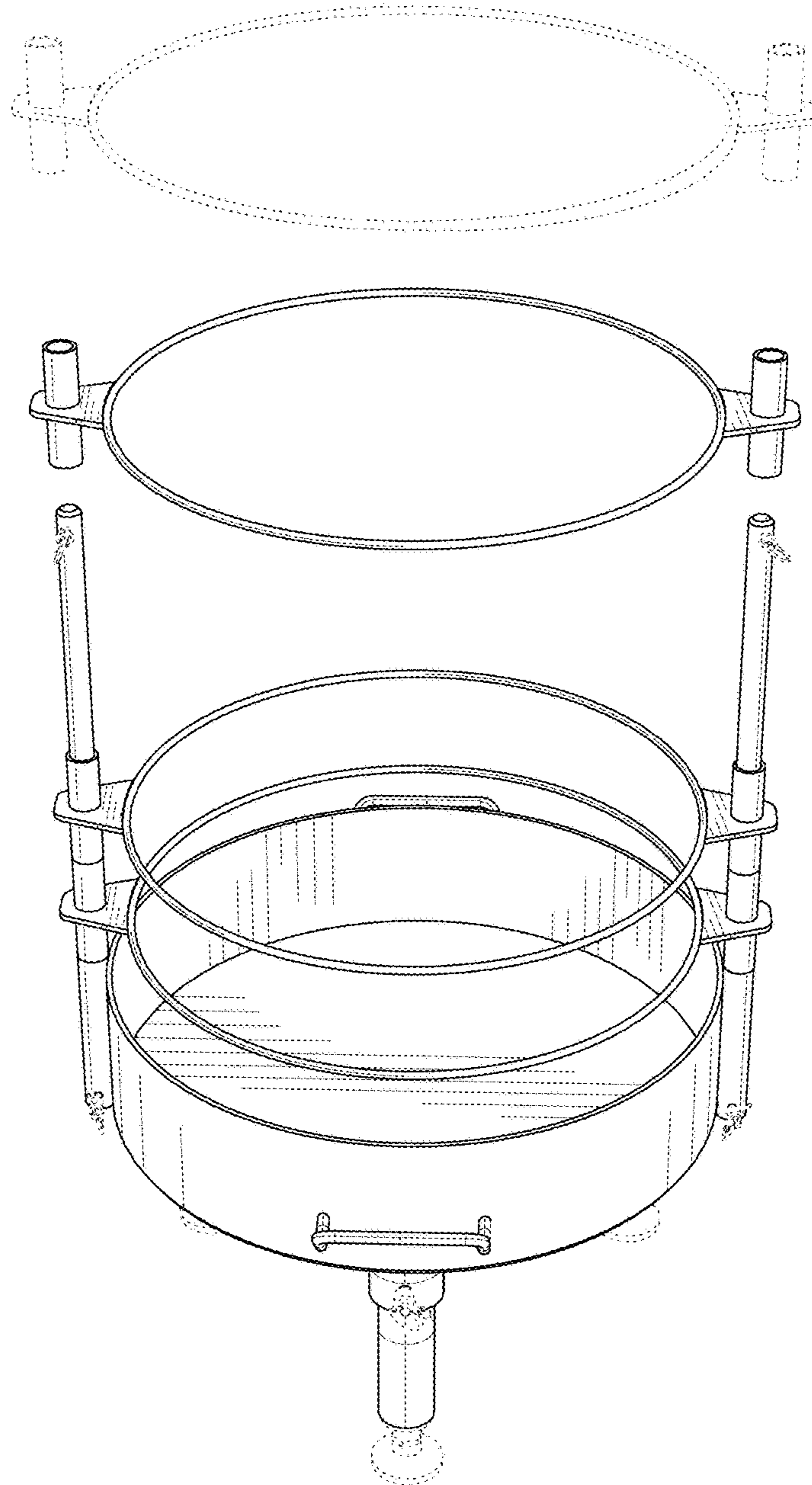


FIG. 8