

US00D796654S

(12) **United States Design Patent** (10) **Patent No.:** **US D796,654 S**  
**Baker et al.** (45) **Date of Patent:** **\*\* Sep. 5, 2017**

(54) **HEATING AND COOLING UNIT**

FOREIGN PATENT DOCUMENTS

(71) Applicant: **Modine Manufacturing Company**,  
Racine, WI (US)

EP 1536188 A1 \* 6/2005 ..... F24F 3/044

(72) Inventors: **George A. Baker**, Waterford, WI (US);  
**Gregory T. Kohler**, Waterford, WI  
(US); **Michael L. Deschler**, Waterford,  
WI (US); **Robert E. Persson**,  
Wakefield, RI (US); **Stephen L.**  
**Bentley**, Coventry, RI (US)

OTHER PUBLICATIONS

Total Home Supply, LG LP073CDUC 7100/7300 BTU 13.3 EER  
PTAC Air Conditioner with Electric Heat—208/230 Volt, undated  
online product page, Retrieved Apr. 11, 2017 from <URL:http://  
www.totalhomesupply.com/7100-7300-btu-13.3-eer-ptac-air-con-  
ditioner-with-electric-heat-208-230-volt/p/LG-LP073CDUC?>.\*

(73) Assignee: **Modine Manufacturing Company**,  
Racine, WI (US)

*Primary Examiner* — Sheryl Lane

*Assistant Examiner* — Calvin E Vansant

(74) *Attorney, Agent, or Firm* — Michael Best &  
Friedrich LLP

(\*\*) Term: **15 Years**

(21) Appl. No.: **29/565,264**

(57) **CLAIM**

(22) Filed: **May 19, 2016**

We claim the ornamental design for a heating and cooling  
unit, as shown and described.

(51) **LOC (10) Cl.** ..... **23-03**

(52) **U.S. Cl.**  
USPC ..... **D23/328**

(58) **Field of Classification Search**  
USPC ..... D23/314, 32, 329, 355, 370, 371, 383  
CPC ..... F24F 1/00; F24F 1/02; F24F 1/08; F24F  
1/42; F24F 1/46; F24F 1/60; F24F  
1/0003; F24F 1/007; F24F 1/0011; F24F  
3/044; F24F 3/048; F24F 3/16; F24F  
7/00; F24F 7/04; F24F 12/001; F24F  
12/006; F24F 13/20

**DESCRIPTION**

See application file for complete search history.

FIG. 1 is a perspective view of our ornamental design for a  
heating and cooling unit;  
FIG. 2 is a first side view of the heating and cooling unit  
shown in FIG. 1.  
FIG. 3 is a second side view of the heating and cooling unit  
shown in FIG. 1.  
FIG. 4 is a third side view of the heating and cooling unit  
shown in FIG. 1.  
FIG. 5 is a fourth side view of the heating and cooling unit  
shown in FIG. 1.  
FIG. 6 is a bottom side view of the heating and cooling unit  
shown in FIG. 1; and,  
FIG. 7 is a top side view of the heating and cooling unit  
shown in FIG. 1.

(56) **References Cited**

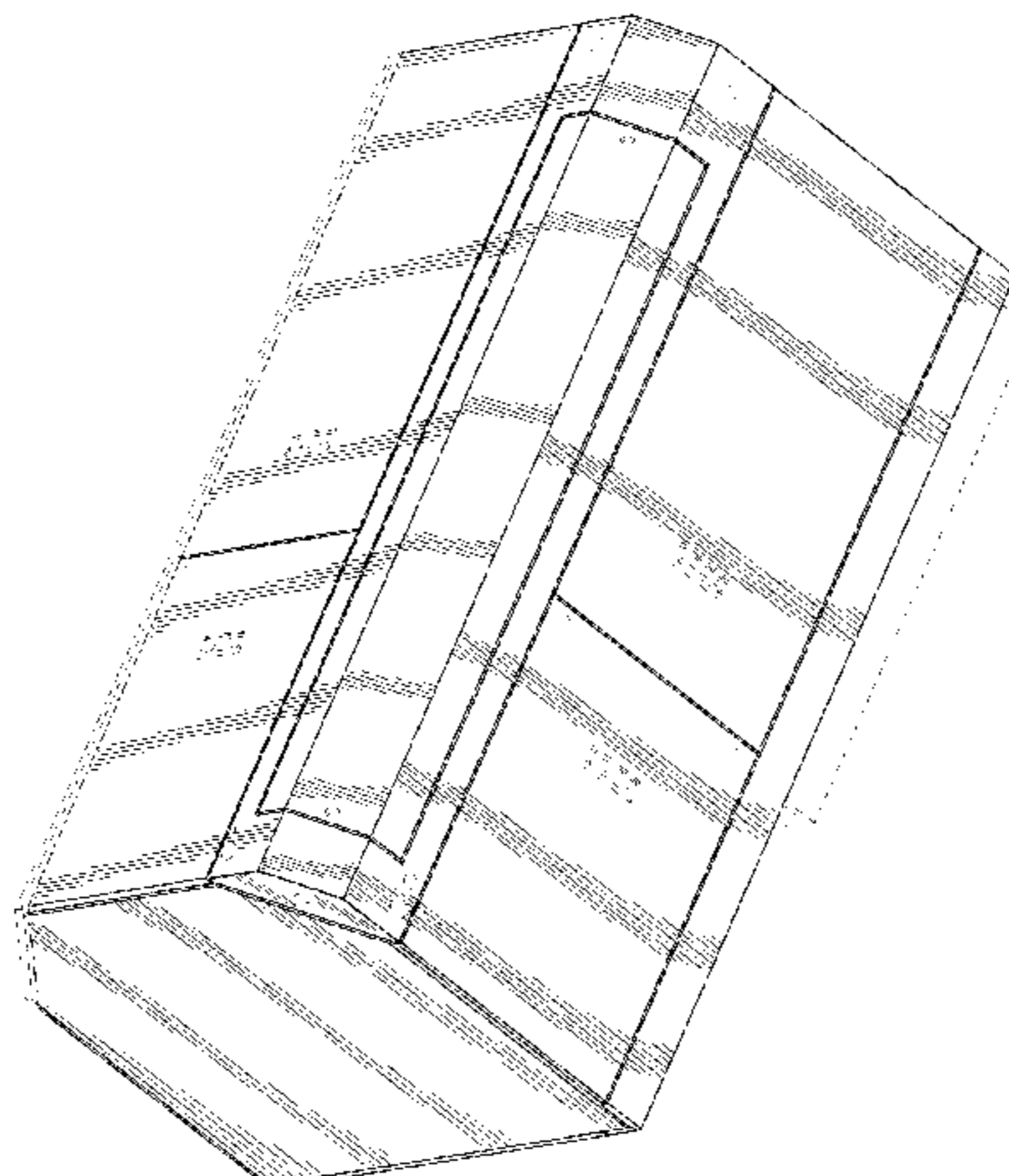
U.S. PATENT DOCUMENTS

D97,646 S \* 11/1935 Manning ..... D23/370  
D142,342 S \* 8/1945 DeFlon ..... D23/351  
4,153,310 A 5/1979 Loving et al.  
4,825,847 A 5/1989 Perron  
5,188,169 A \* 2/1993 Lim ..... F24F 3/153  
165/122

The present application is directed to the design illustrated  
in the drawings. The elements shown in broken lines are  
included for the purpose of illustrating environment and

(Continued)

(Continued)



form no part of the claimed design. Broken lines having unequal line segments illustrate the boundary of the claimed design.

**1 Claim, 6 Drawing Sheets**

(56)

**References Cited**

U.S. PATENT DOCUMENTS

5,294,195	A	3/1994	Amr et al.	
D346,855	S *	5/1994	Chiu .....	D23/328
D376,842	S *	12/1996	Franklin .....	D23/314
D417,726	S *	12/1999	Elkas .....	D23/355
D503,971	S *	4/2005	Otaki .....	D15/79
D522,114	S *	5/2006	Otaki .....	D15/79
D621,921	S *	8/2010	Ishida .....	D23/351
7,850,261	B2	12/2010	Saunders	
D680,206	S *	4/2013	Giacomini .....	D23/329
D683,002	S *	5/2013	Martin, Sr. ....	D23/329
D692,542	S *	10/2013	Robinet .....	D23/329
8,634,182	B2	1/2014	Usselton et al.	
D724,011	S *	3/2015	Keller .....	D13/102
9,188,372	B2	11/2015	Thomas et al.	
D755,943	S *	5/2016	Lanssky .....	D23/364
2005/0193762	A1 *	9/2005	Bae .....	F24F 1/0007 62/426
2007/0163295	A1	7/2007	Martin, Sr. et al.	
2010/0024459	A1 *	2/2010	Dillon .....	F24F 1/0007 62/259.1
2011/0232860	A1	9/2011	Lackie et al.	
2016/0033161	A1 *	2/2016	Koyanagi .....	F24F 1/0007 312/236
2016/0149538	A1 *	5/2016	Prypyn .....	H02S 10/40 136/245

\* cited by examiner

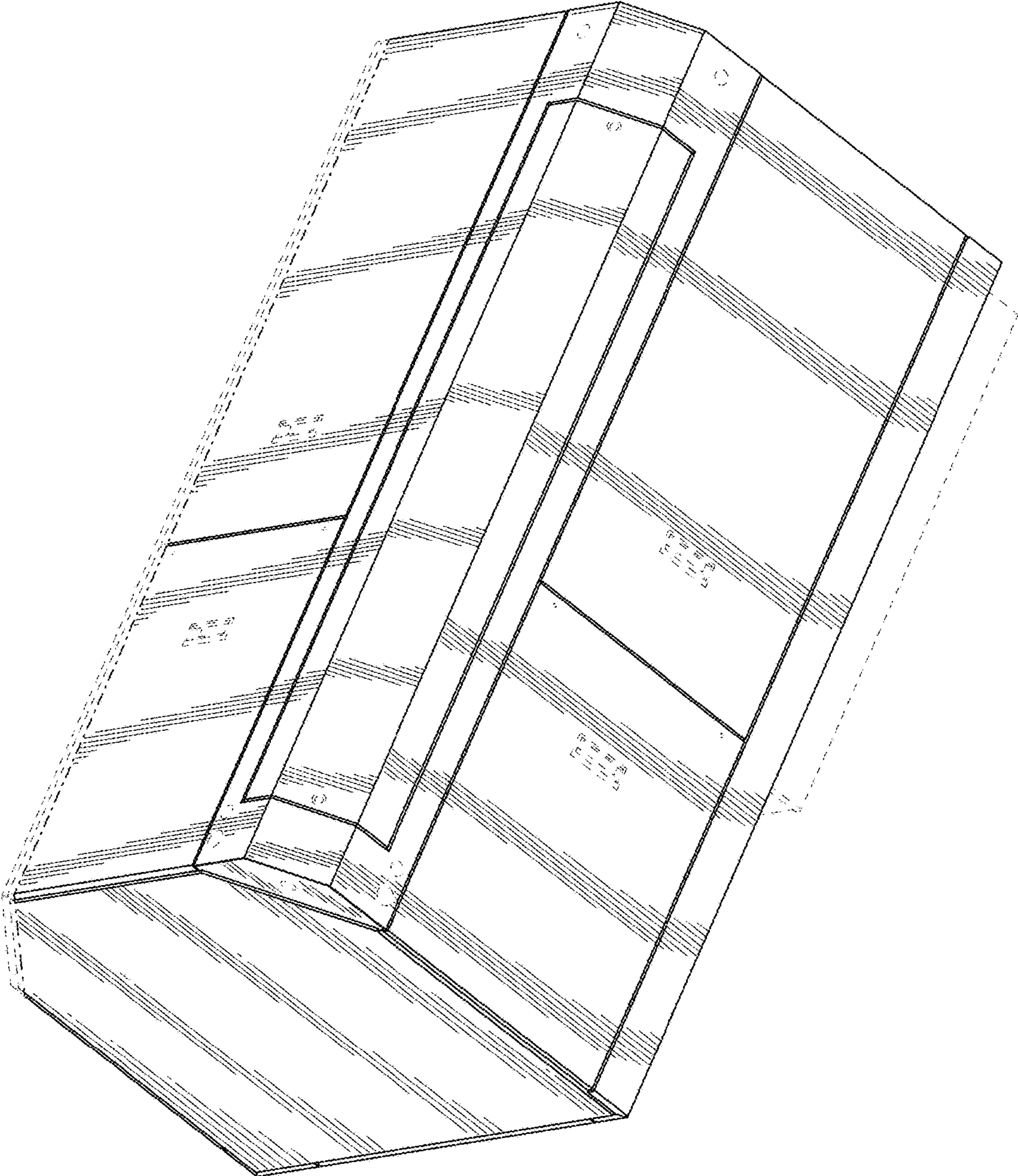
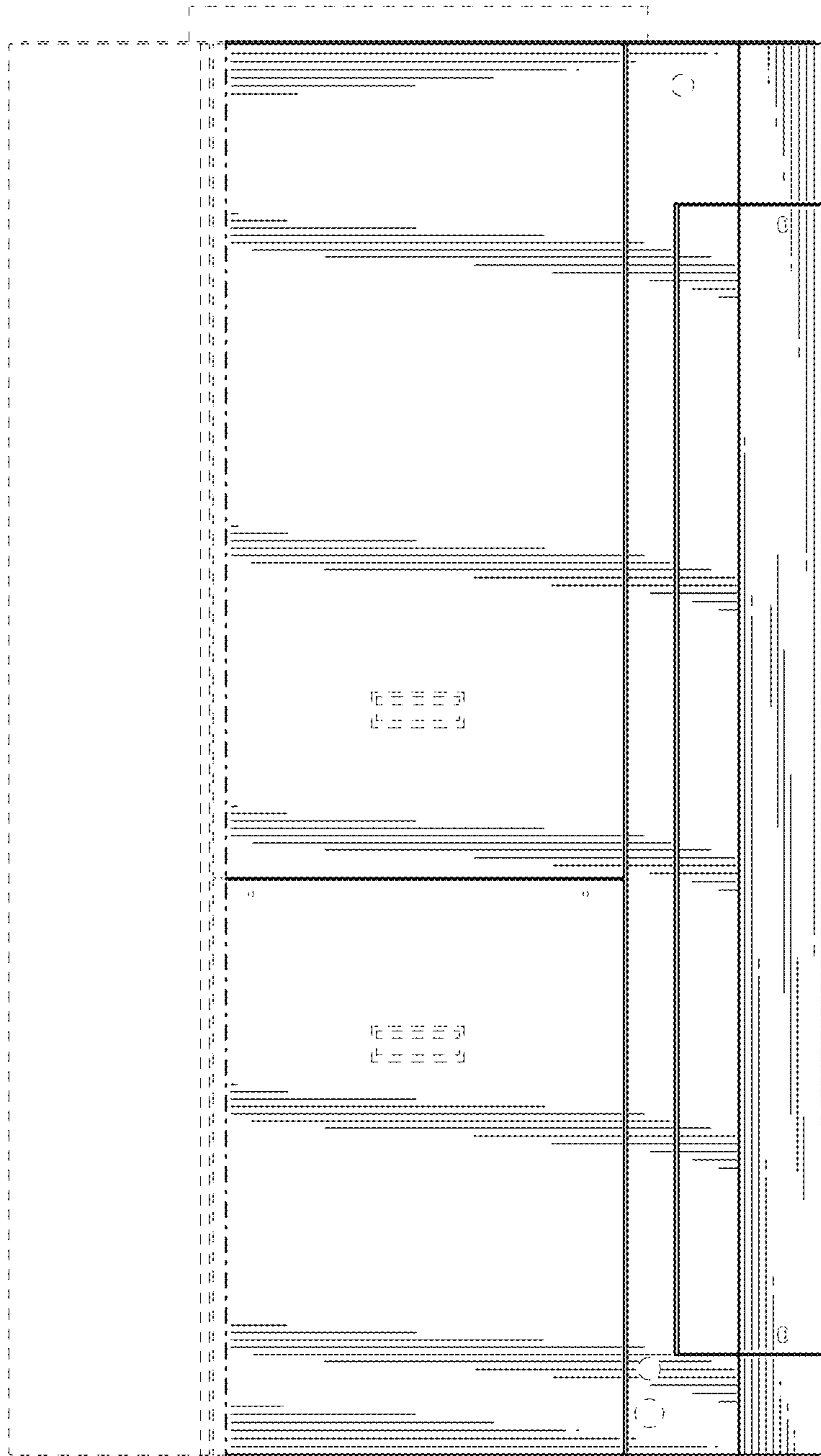
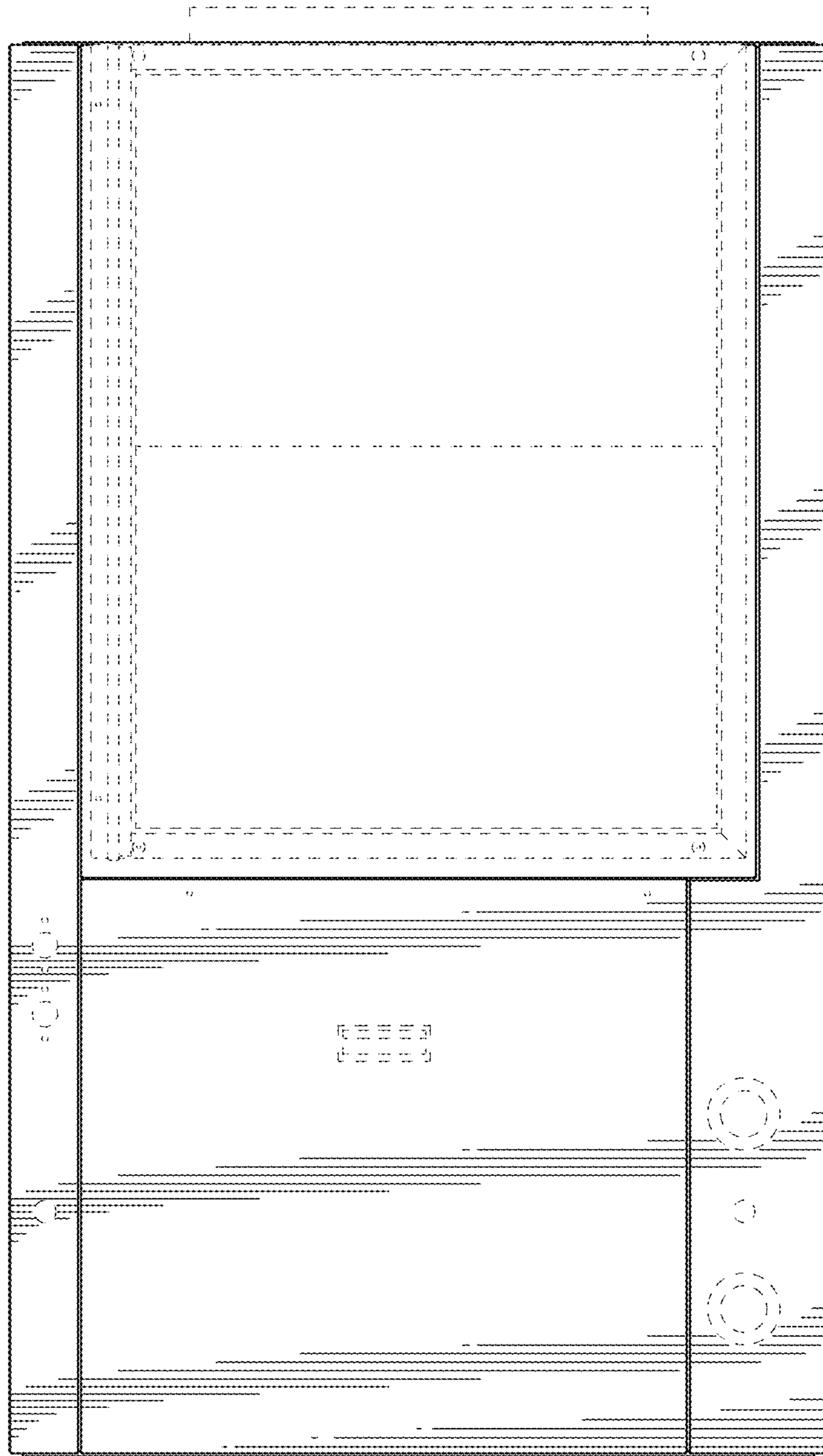


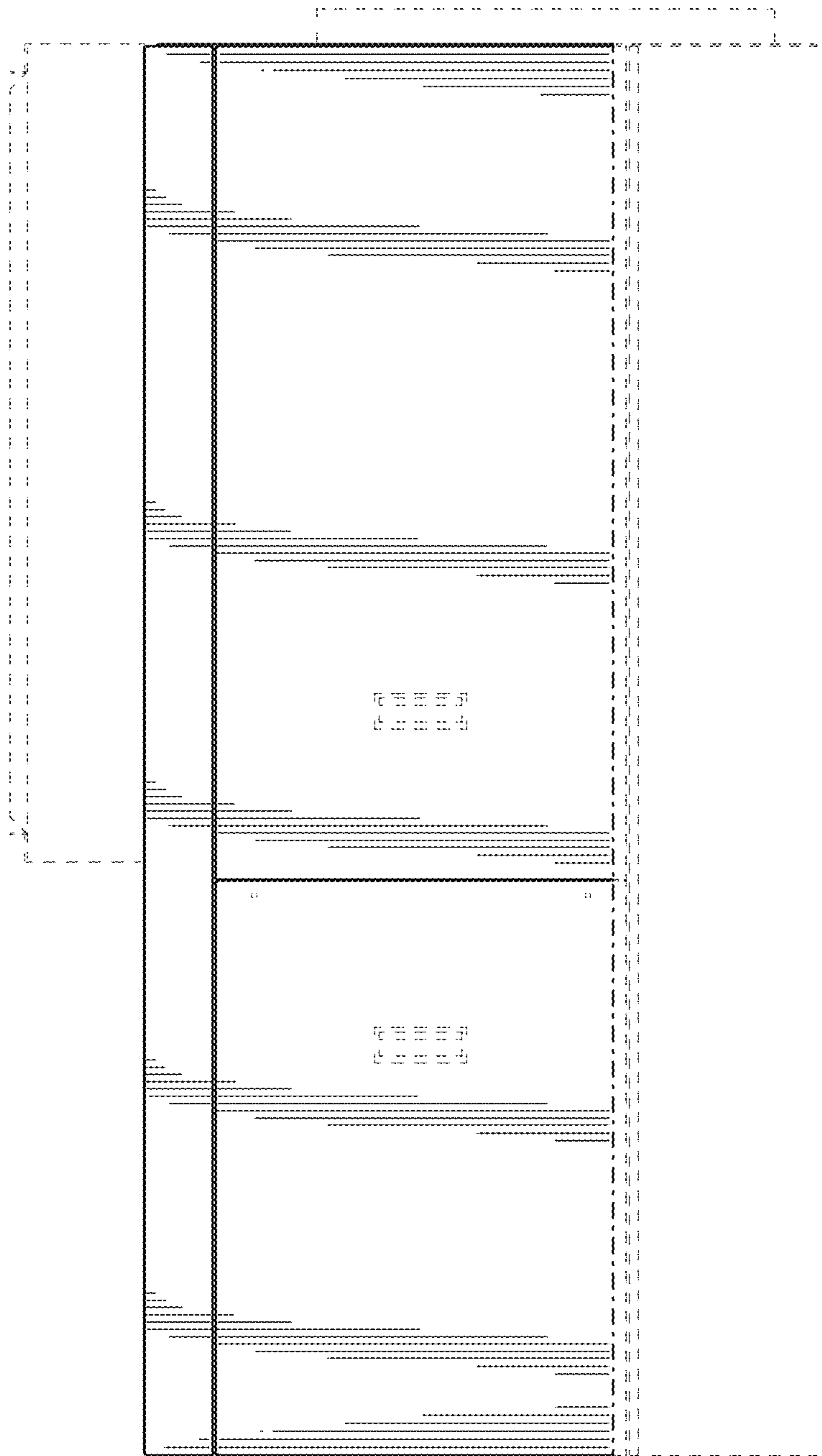
FIG. 1



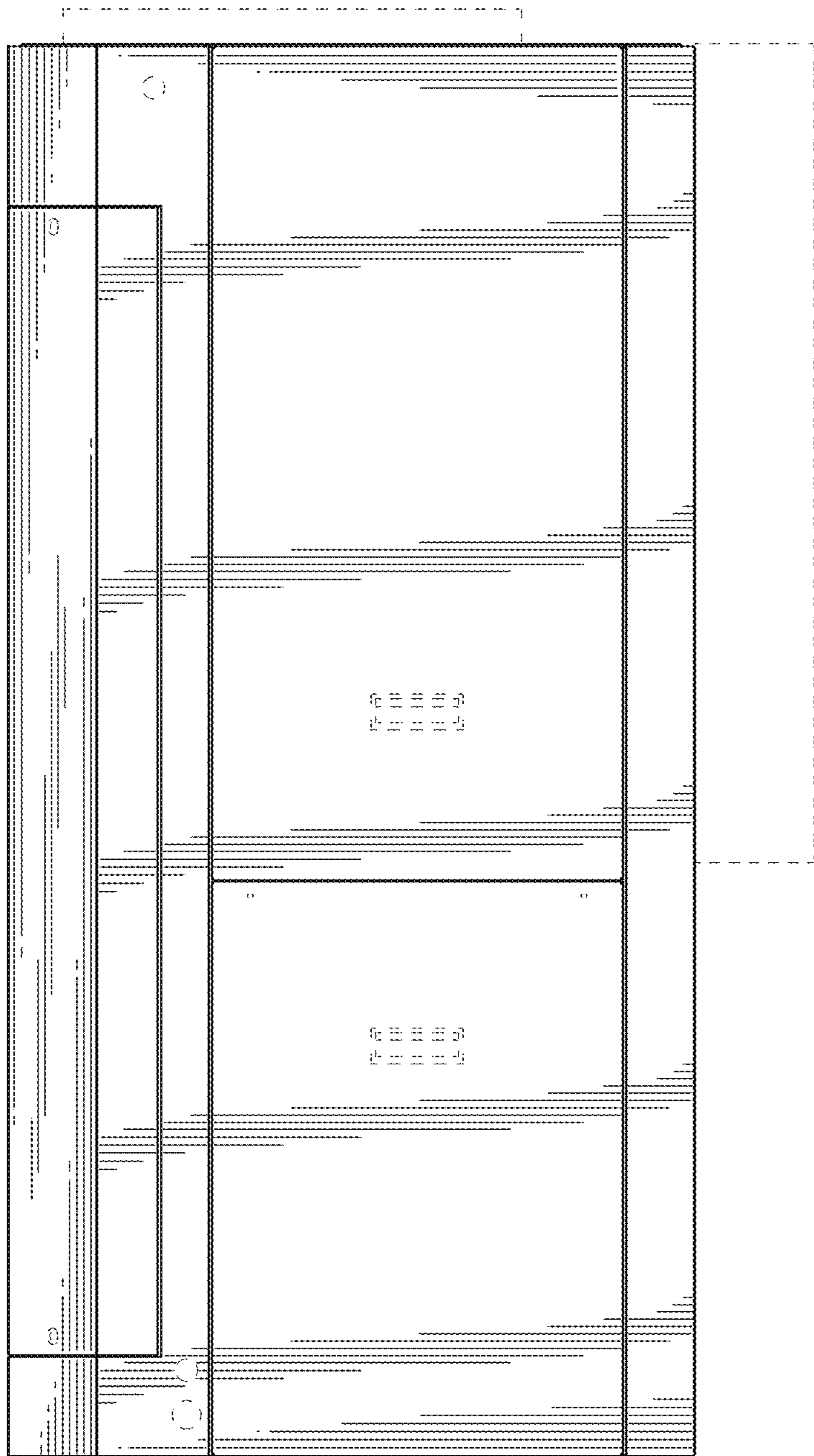
**FIG. 2**



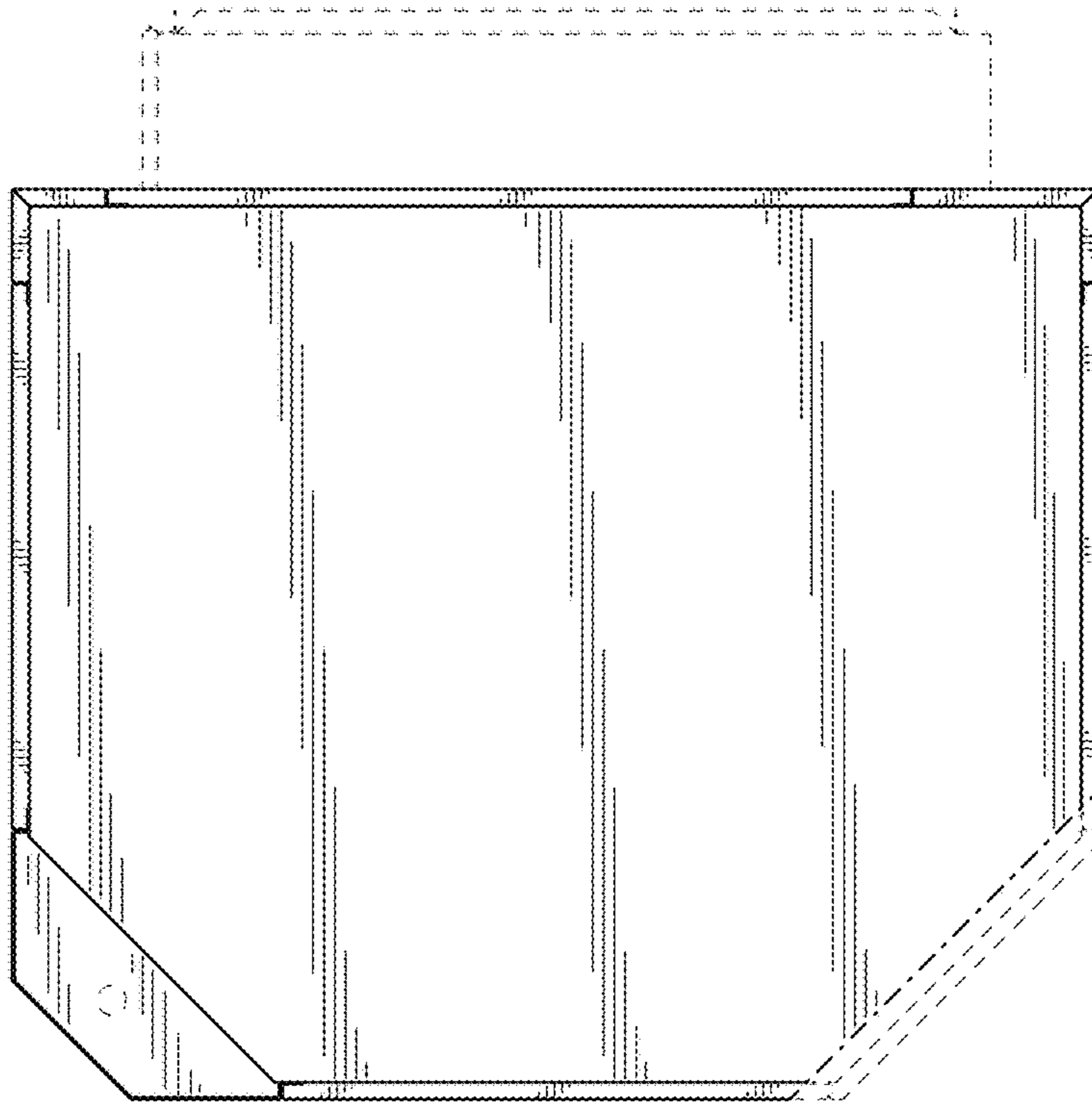
**FIG. 3**



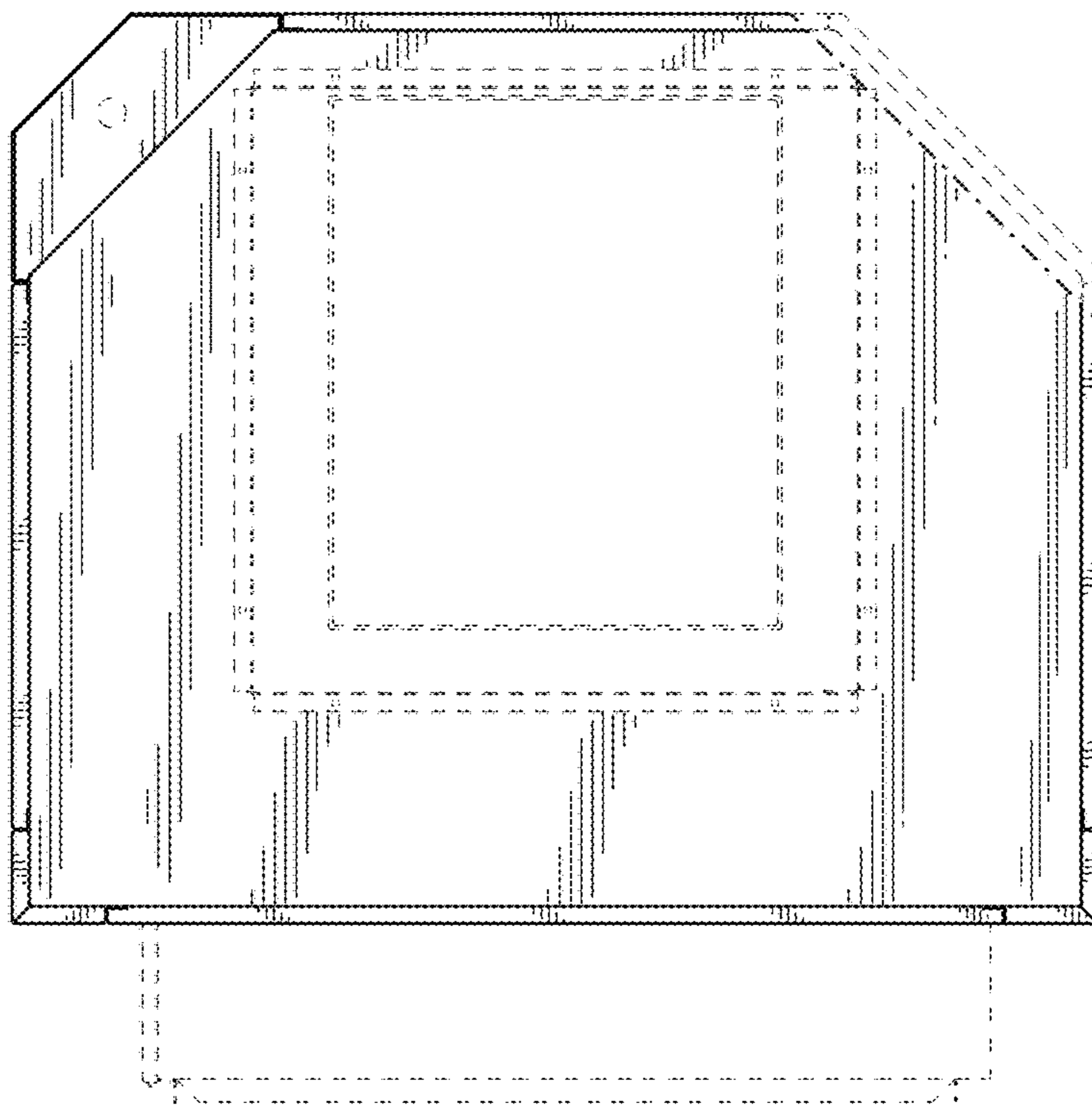
**FIG. 4**



**FIG. 5**



**FIG. 6**



**FIG. 7**