



US00D796653S

(12) **United States Design Patent**  
**Hsu**

(10) **Patent No.:** **US D796,653 S**  
(45) **Date of Patent:** **\*\* Sep. 5, 2017**

(54) **DISPOSABLE BATHTUB LINER**  
(71) Applicant: **Wei K. Hsu**, Plano, TX (US)  
(72) Inventor: **Wei K. Hsu**, Plano, TX (US)  
(\*\*) Term: **15 Years**

5,216,764 A \* 6/1993 Hall ..... A47K 3/001  
4/244.3  
5,742,955 A \* 4/1998 Parkay ..... A47K 3/002  
4/583  
6,085,367 A \* 7/2000 Guiste ..... A47K 3/002  
4/546  
D528,195 S \* 9/2006 Stevenson ..... D23/304

\* cited by examiner

(21) Appl. No.: **29/547,658**  
(22) Filed: **Dec. 7, 2015**  
(51) **LOC (10) Cl.** ..... **23-02**  
(52) **U.S. Cl.**  
USPC ..... **D23/304**  
(58) **Field of Classification Search**  
USPC ..... D23/304, 278; D6/611  
CPC ..... A47K 3/001; A47K 3/002; A47K 3/06;  
Y10S 4/18; A61G 7/0005  
See application file for complete search history.

*Primary Examiner* — Robert Delehanty  
(74) *Attorney, Agent, or Firm* — Eldredge Law Firm;  
Richard G. Eldredge

(57) **CLAIM**

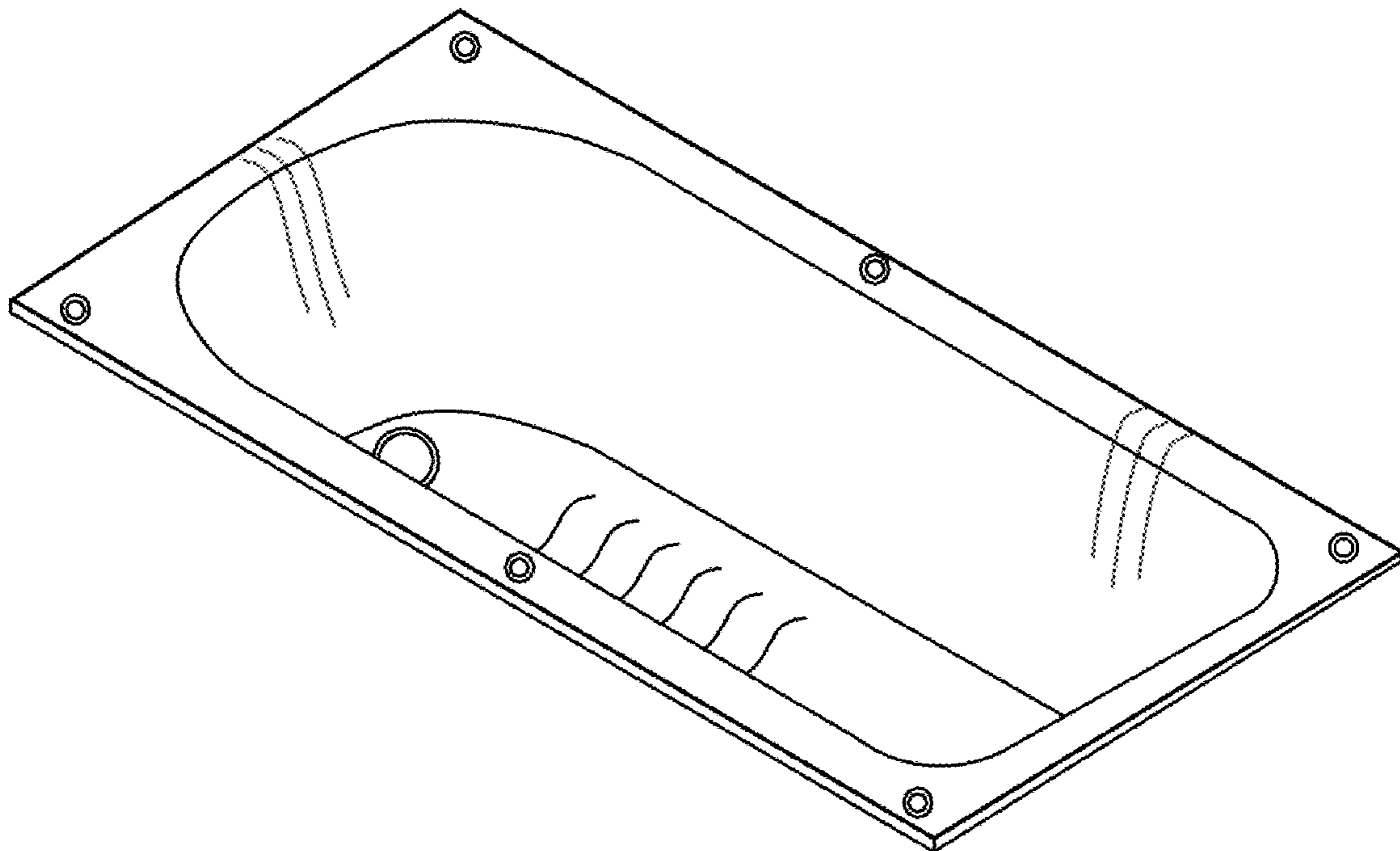
The ornamental design for a disposable bathtub liner, as shown and described.

**DESCRIPTION**

FIG. 1 is an oblique view of a disposable bathtub liner according to the present application.  
FIG. 2 is a top view of the disposable bathtub liner according to the present application; and,  
FIG. 3 is a side view of the disposable bathtub liner according to the present application.

**1 Claim, 2 Drawing Sheets**

(56) **References Cited**  
U.S. PATENT DOCUMENTS  
3,931,651 A \* 1/1976 Weir ..... A47K 3/001  
4/580  
4,158,585 A \* 6/1979 Wright ..... A47K 3/001  
156/245



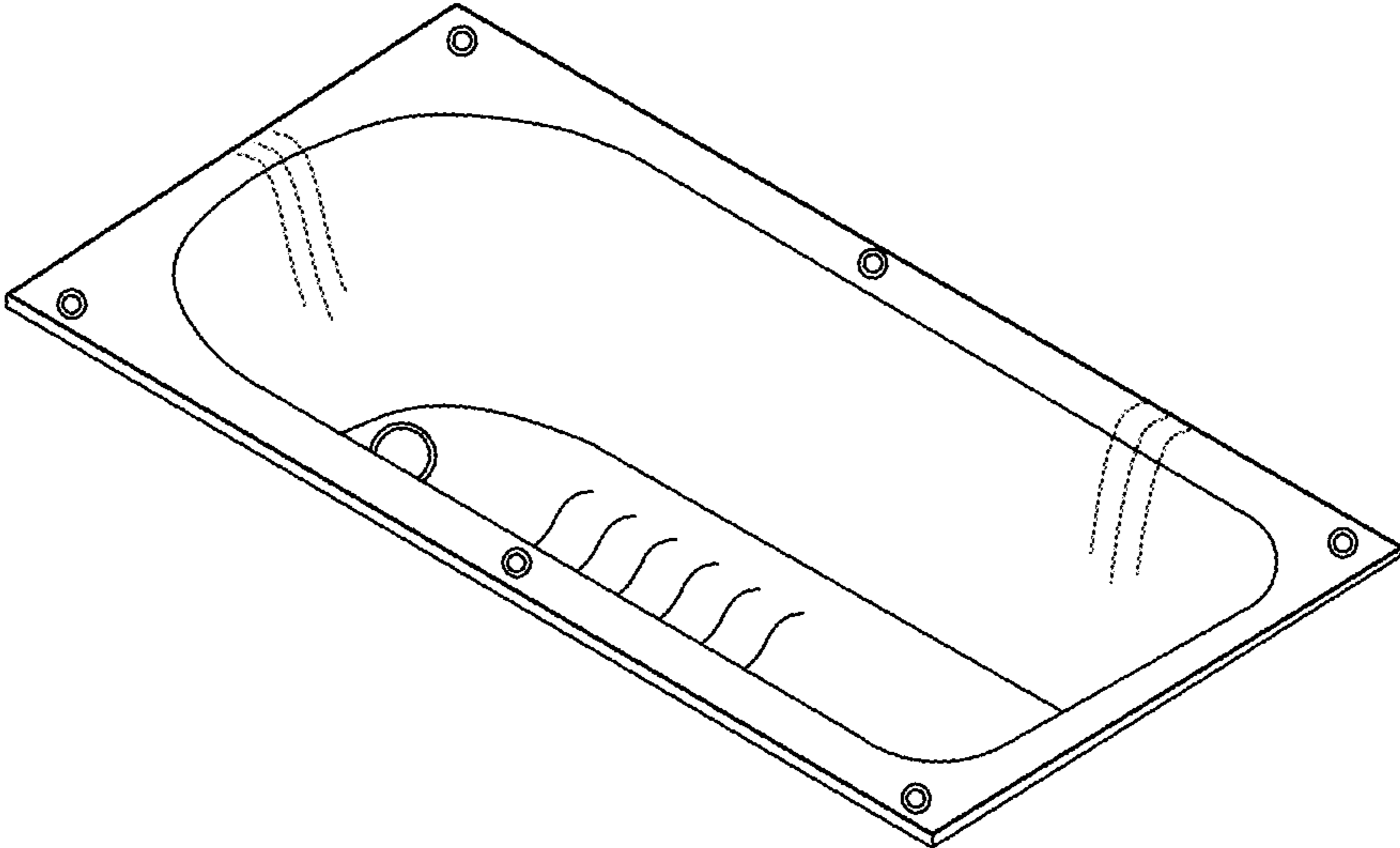


FIG. 1

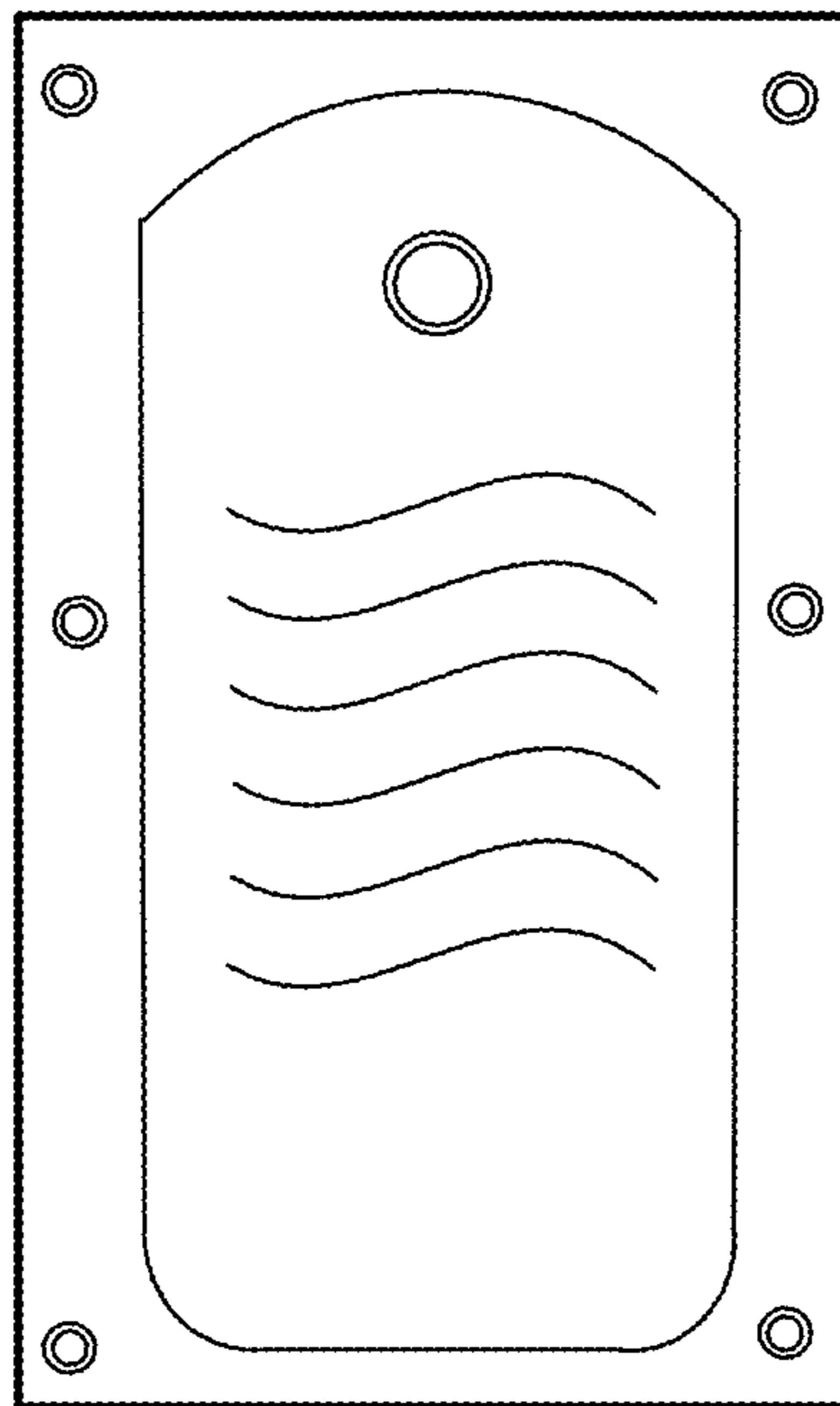


FIG. 2

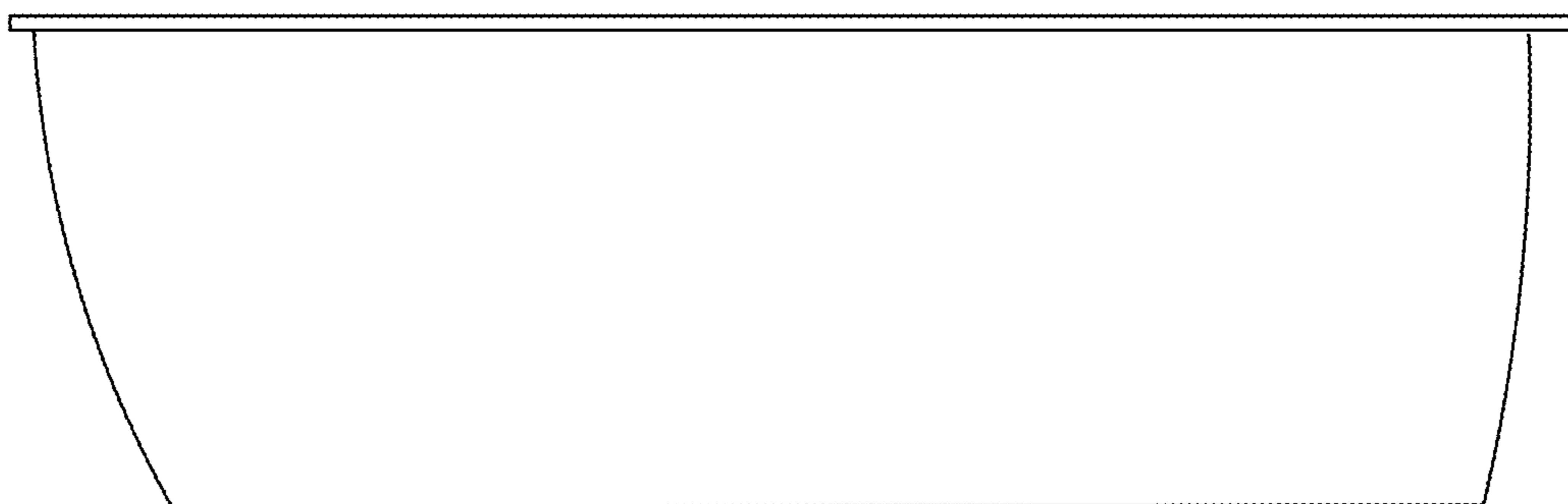


FIG. 3