

US00D796652S

(12) **United States Design Patent** (10) **Patent No.:** **US D796,652 S**  
**Vish et al.** (45) **Date of Patent:** **\*\* Sep. 5, 2017**

- (54) **WALL HUNG WATER CLOSET**
- (71) Applicant: **Sloan Valve Company**, Franklin Park, IL (US)
- (72) Inventors: **Ronald J. Vish**, West Roxbury, MA (US); **Adam O'Hern**, Alexandria, VA (US); **Doug Cooke**, Portland, OR (US)
- (73) Assignee: **SLOAN VALVE COMPANY**, Franklin Park, IL (US)
- (\*\*) Term: **15 Years**
- (21) Appl. No.: **29/557,784**
- (22) Filed: **Mar. 11, 2016**
- (51) **LOC (10) Cl.** ..... **23-02**
- (52) **U.S. Cl.**  
USPC ..... **D23/300**
- (58) **Field of Classification Search**  
USPC ..... D23/295-301, 303, 309, 313  
CPC ..... E03D 11/08; E03D 11/18  
See application file for complete search history.

(56) **References Cited**  
U.S. PATENT DOCUMENTS

D41,333 S	4/1911	Sanders et al.
D91,696 S	3/1934	Groeniger
D94,192 S	1/1935	Di Antonio
D105,006 S	6/1937	Groeniger
D113,838 S	3/1939	Groeniger
D180,983 S	9/1957	Zinkil et al.
D184,562 S	3/1959	Everett
D187,365 S	3/1960	Young et al.
D187,854 S	5/1960	Dreyfuss
D191,938 S	12/1961	Rodman
D192,494 S	4/1962	Corp
D201,347 S	6/1965	Phillips
D223,916 S	6/1972	Ament
D233,837 S	12/1974	Brady

D258,681 S	3/1981	Wilson	
D273,701 S	5/1984	Bengtson	
D275,599 S	9/1984	Enthoven	
D276,177 S	10/1984	Willoughby	
D310,870 S	9/1990	Zmuda et al.	
D313,649 S	1/1991	Kimes	
D354,341 S	1/1995	Kohler et al.	
D355,711 S	2/1995	Nagato	
D358,201 S	5/1995	Wilhelm et al.	
D468,412 S	1/2003	Piano	
D483,841 S	* 12/2003	Piano	D23/300
D484,224 S	* 12/2003	Piano	D23/300
D556,872 S	12/2007	Crowther et al.	
D578,620 S	* 10/2008	Zou	D23/301
D596,276 S	7/2009	Espinoza	
D609,791 S	2/2010	Cummings et al.	
D621,487 S	8/2010	Toyohara	
D624,996 S	10/2010	Schonherr et al.	
D639,406 S	6/2011	Bickerstaffe et al.	

(Continued)

*Primary Examiner* — Robert M Spear  
*Assistant Examiner* — John Voytek  
(74) *Attorney, Agent, or Firm* — K&L Gates LLP

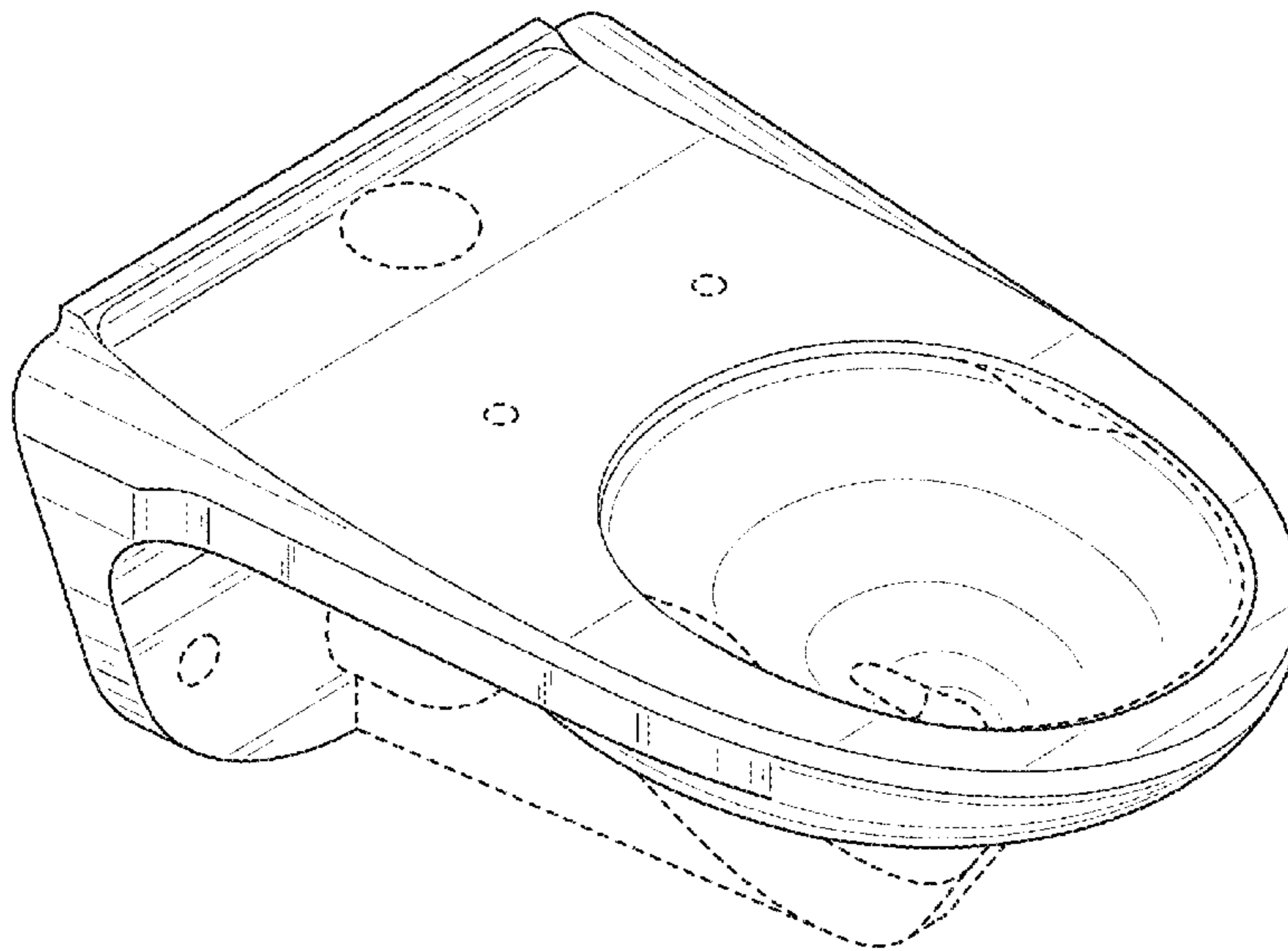
(57) **CLAIM**

The ornamental design for a wall hung water closet, as shown and described.

**DESCRIPTION**

FIG. 1 is a right perspective view of a wall hung water closet showing our new design;  
FIG. 2 is a top view thereof;  
FIG. 3 is a front view thereof;  
FIG. 4 is a left side view thereof;  
FIG. 5 is a right side view thereof;  
FIG. 6 is a bottom view thereof; and,  
FIG. 7 is a back view thereof.  
In the drawings, the broken lines depict environmental subject matter only and form no part of the claimed design.

**1 Claim, 4 Drawing Sheets**



(56)

**References Cited**

U.S. PATENT DOCUMENTS

D639,407 S	6/2011	Kang	
D640,777 S	6/2011	Heuberger	
D654,575 S	2/2012	Cornille	
D654,576 S	2/2012	Cornille	
D702,331 S *	4/2014	Garland .....	D23/295
D703,796 S	4/2014	McKeone et al.	
D703,797 S	4/2014	Shinozaki	
D717,929 S	11/2014	Kergoet	
D717,930 S	11/2014	Kergoet	
D718,430 S	11/2014	Kergoet	
D719,245 S	12/2014	Kergoet	
D725,248 S *	3/2015	Bates .....	D23/309
2010/0024115 A1 *	2/2010	Mesun .....	E03D 11/18 4/420
2015/0267388 A1 *	9/2015	Bhardwaj .....	E03D 11/08 4/425

\* cited by examiner

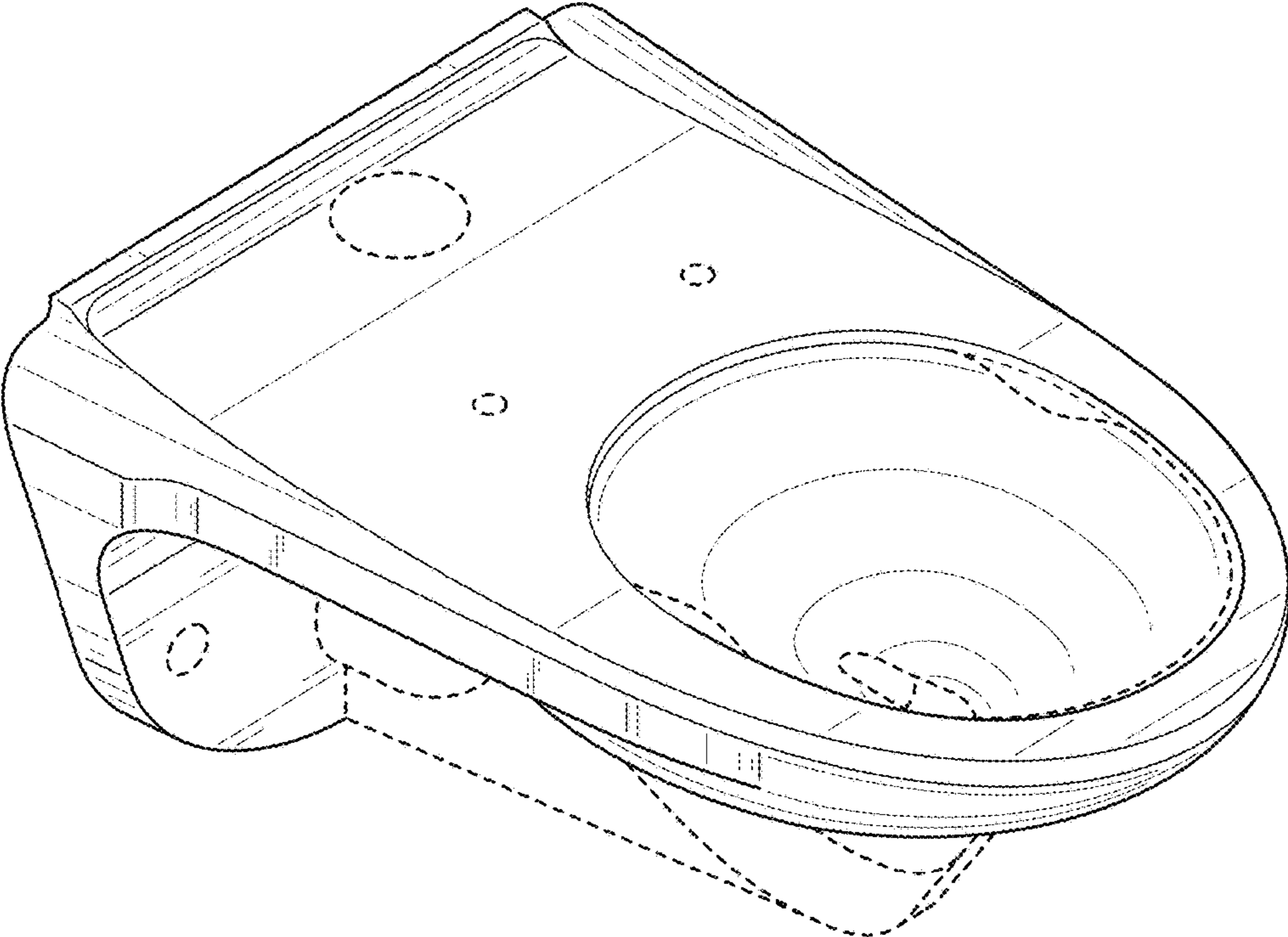


FIG. 1

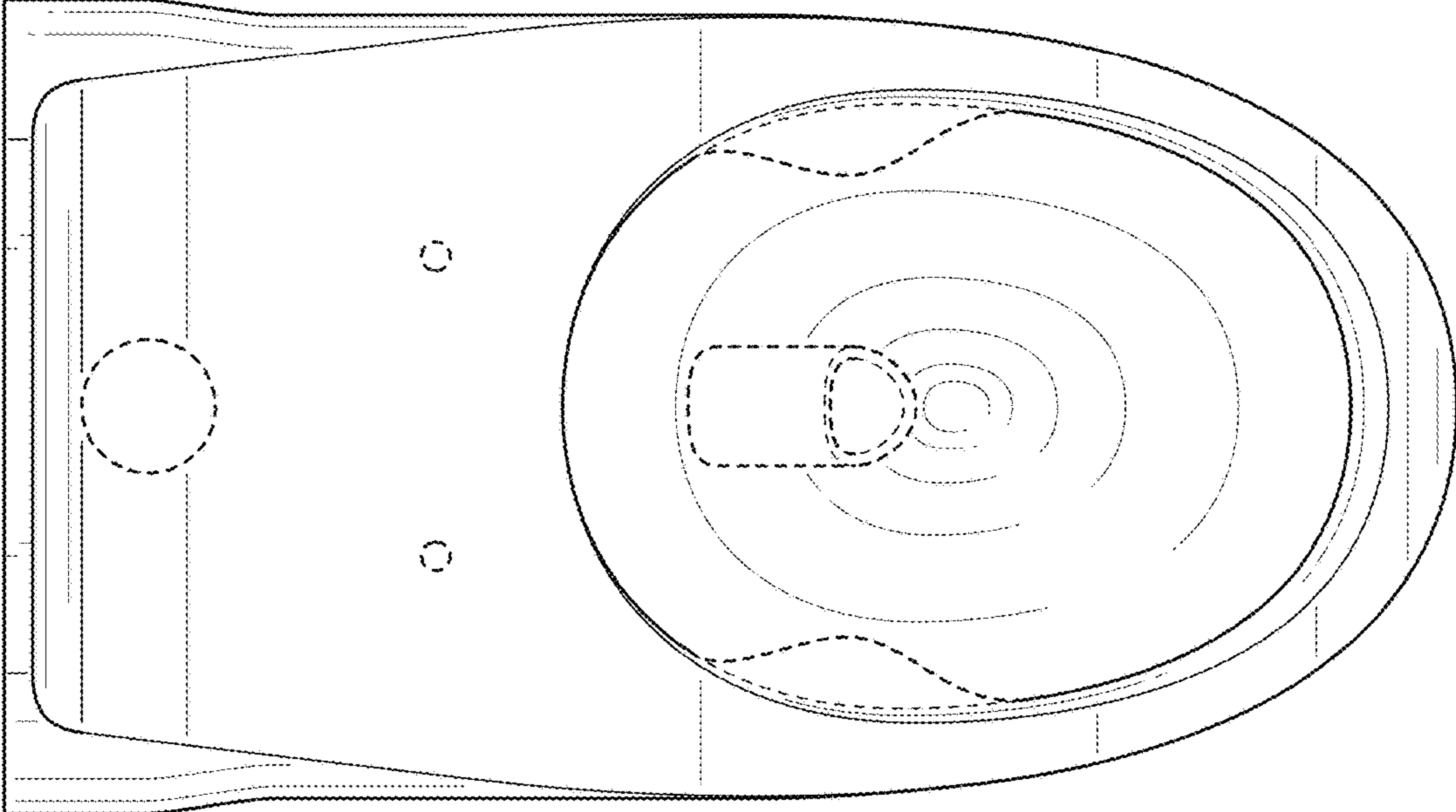


FIG. 2

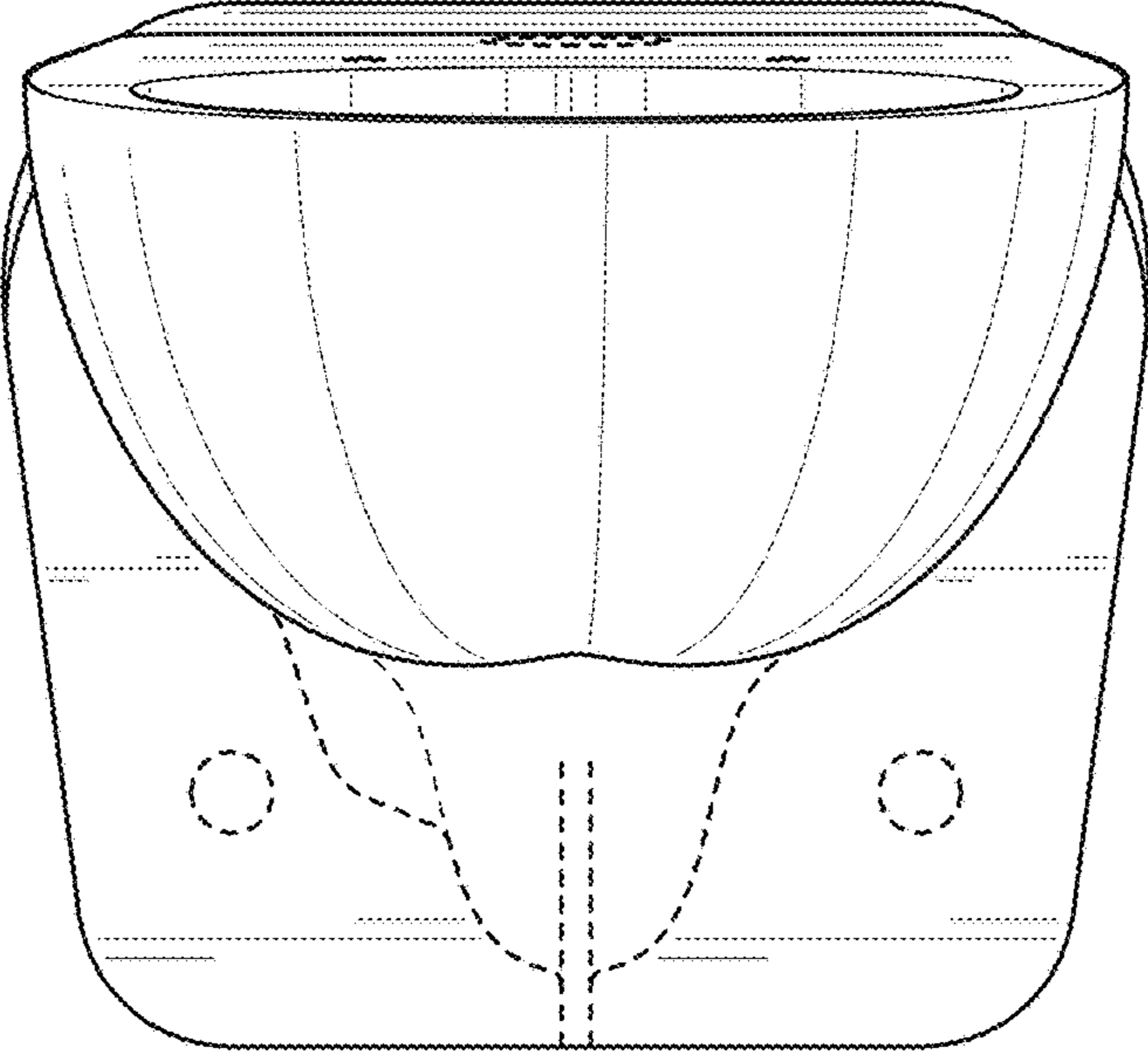


FIG. 3

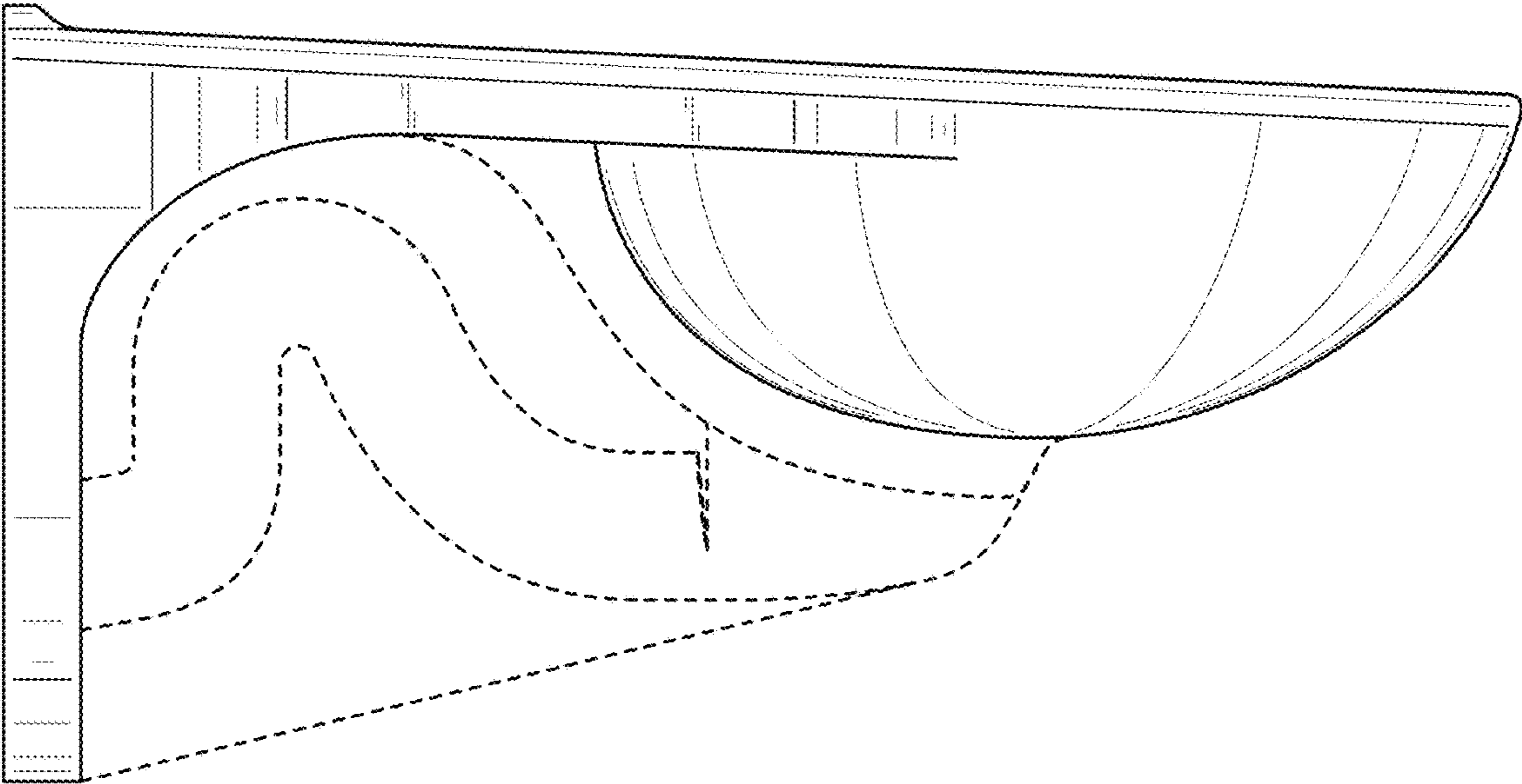


FIG. 4



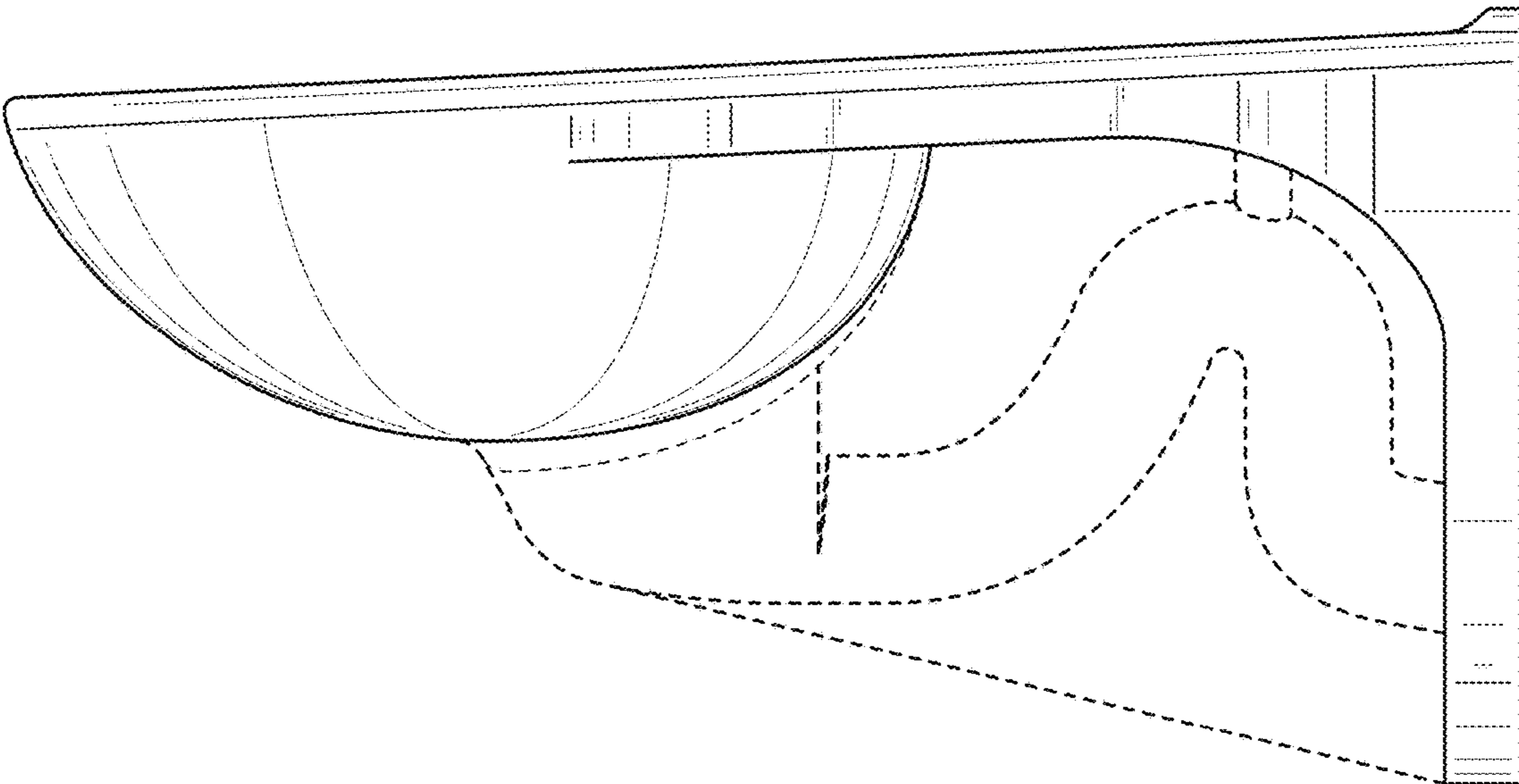


FIG. 5

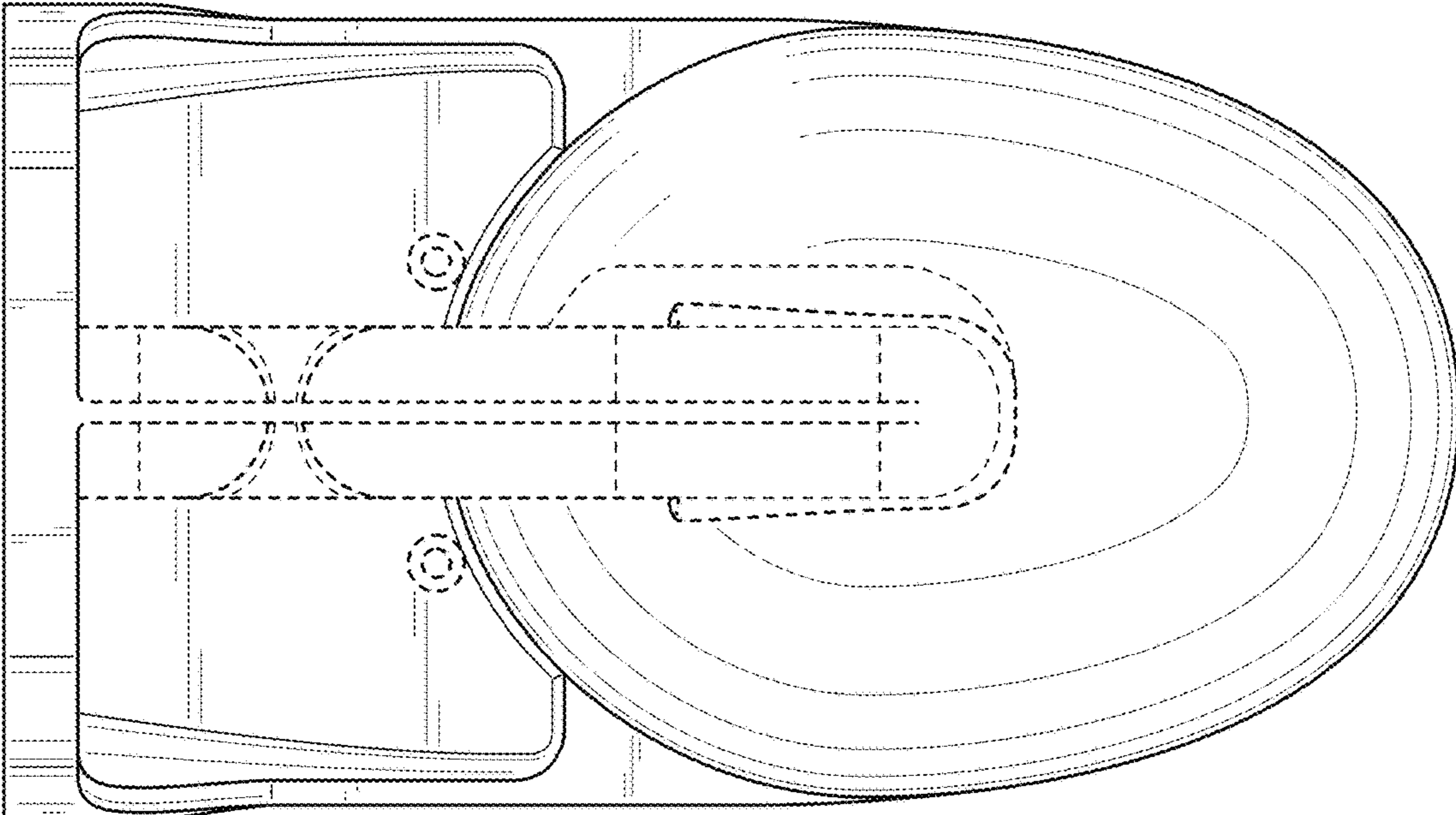


FIG. 6

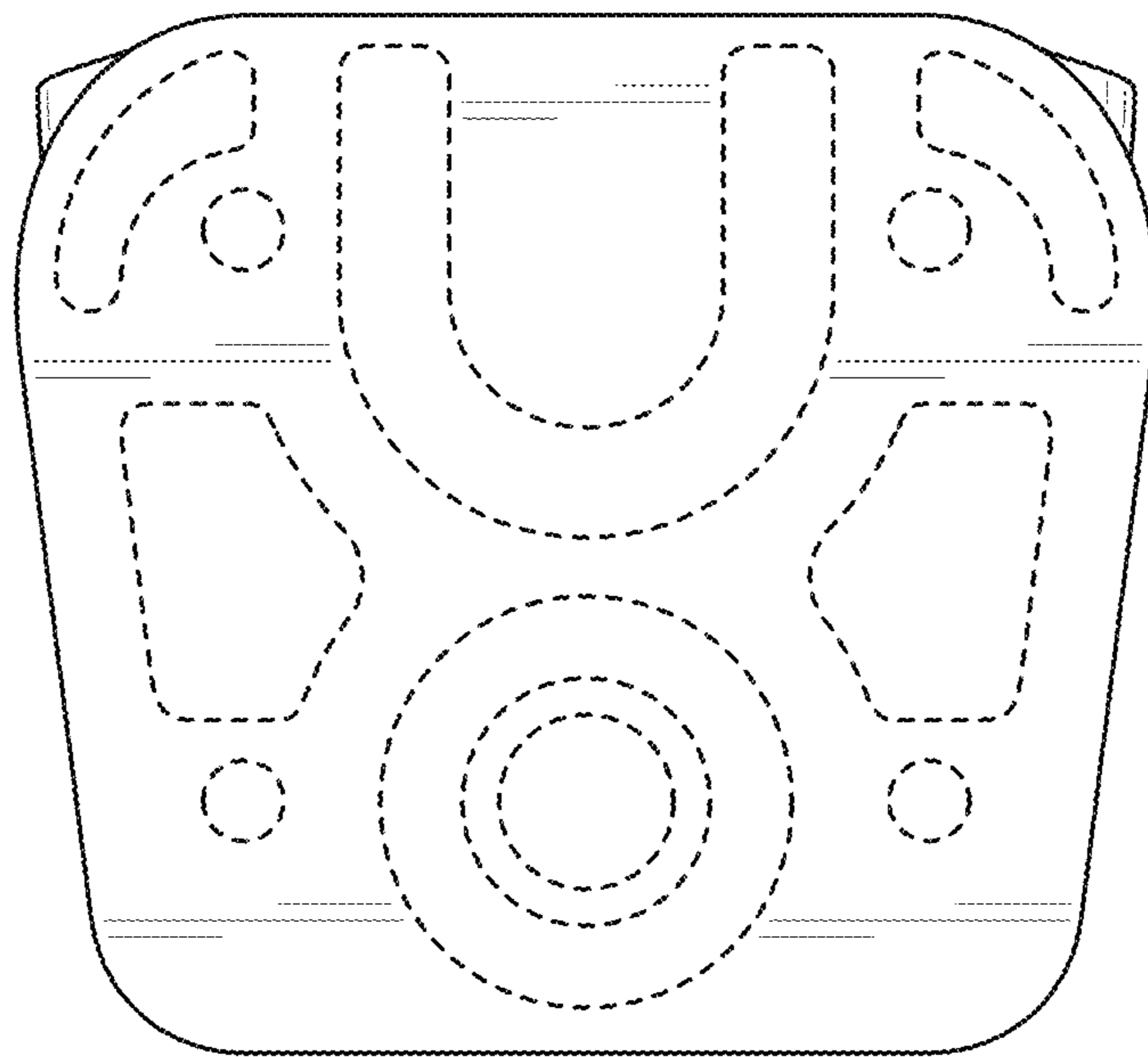


FIG. 7