



US00D796649S

(12) **United States Design Patent** (10) **Patent No.:** **US D796,649 S**
Schoenherr et al. (45) **Date of Patent:** **** Sep. 5, 2017**

(54) **WASH BASIN**

(71) Applicant: **HANSGROHE SE**, Schiltach (DE)

(72) Inventors: **Tom Schoenherr**, Stuttgart (DE);
Andreas Diefenbach,
Ludwigsburg-Oßweil (DE); **Yunwei
Zhu**, Stuttgart (DE)

(73) Assignee: **Hansgrohe SE**, Schiltach (DE)

(**) Term: **15 Years**

(21) Appl. No.: **29/560,115**

(22) Filed: **Apr. 4, 2016**

(30) **Foreign Application Priority Data**

Oct. 6, 2015 (EM) 002811992

(51) **LOC (10) Cl.** **23-02**

(52) **U.S. Cl.**
USPC **D23/290**

(58) **Field of Classification Search**
USPC D23/284, 293.1, 287-292, 303, 308;
D9/425
CPC A47K 1/04; A47B 77/06; A47J 47/20
See application file for complete search history.

D587,352 S * 2/2009 Ziemann D23/290
D670,364 S * 11/2012 Miller D23/290
D708,307 S * 7/2014 Kurth D23/290
2009/0094741 A1 * 4/2009 Valadez E03C 1/186
4/658
2015/0230667 A1 * 8/2015 Palazzolo E03C 1/186
4/654

OTHER PUBLICATIONS

Top mount double basin sink found online [Mar. 15, 2017] http://www.ebay.com/itm/33-Inch-Top-Mount-Drop-In-Stainless-Steel-Double-Bowl-Kitchen-Sink-Zero-Radius-/171719251558?hash=item27fb43d666:m:mvJpu-wu7JbVJvwVslyzACw.*

* cited by examiner

Primary Examiner — Robert M Spear
Assistant Examiner — John Voytek
(74) *Attorney, Agent, or Firm* — Lora J. Graentzdoerffer

(57) **CLAIM**

The ornamental design for a wash basin, as shown and described.

DESCRIPTION

FIG. 1 is a perspective view of a wash basin showing our design; and,
FIG. 2 is a top plan view.
The broken-line disclosure in the view represents a portion of the article which forms no part of the claimed design.

1 Claim, 2 Drawing Sheets

(56) **References Cited**

U.S. PATENT DOCUMENTS

D527,808 S * 9/2006 Wozniczka D23/290
D547,837 S * 7/2007 Ziemann D23/290

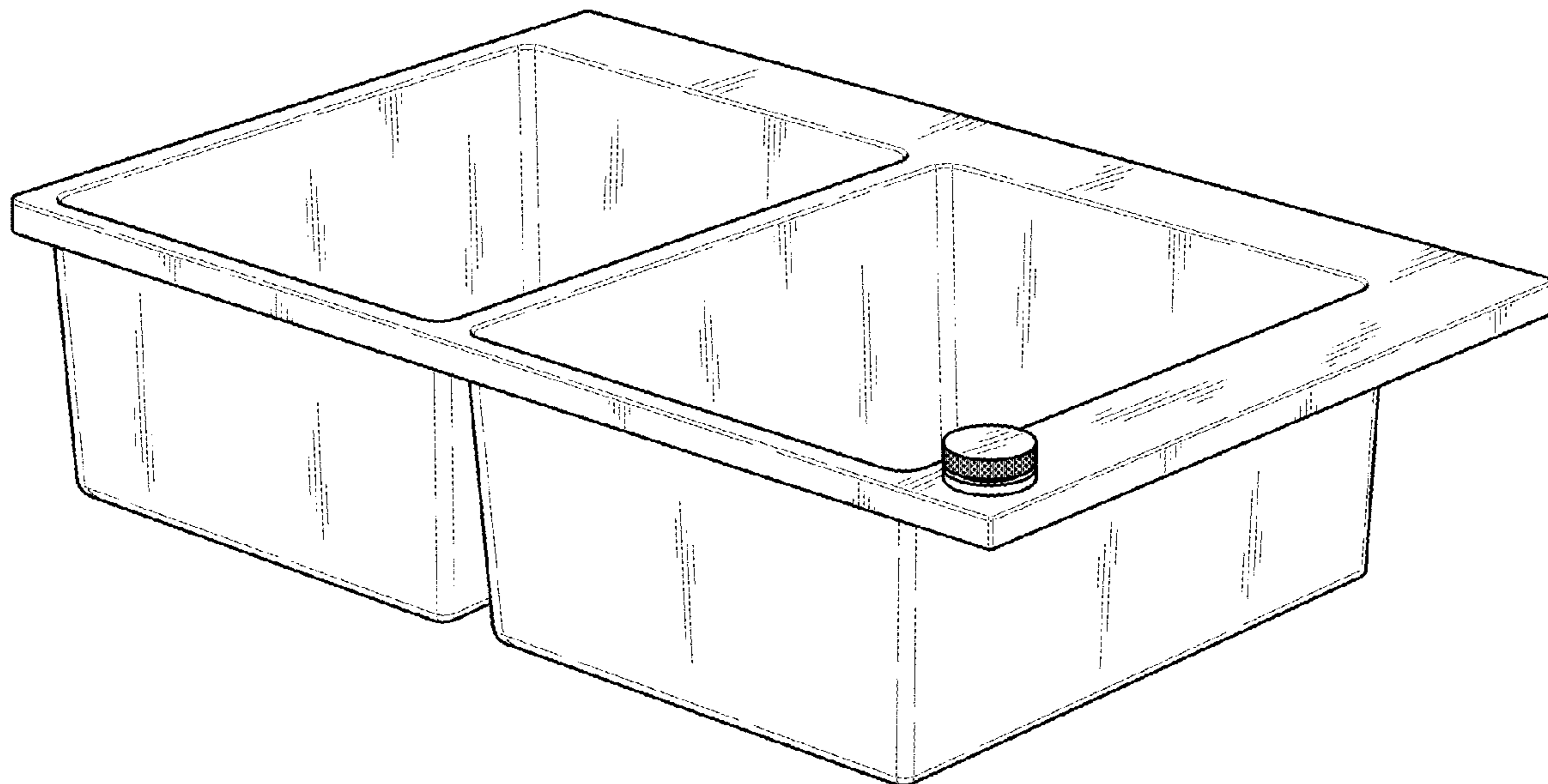


FIG. 1

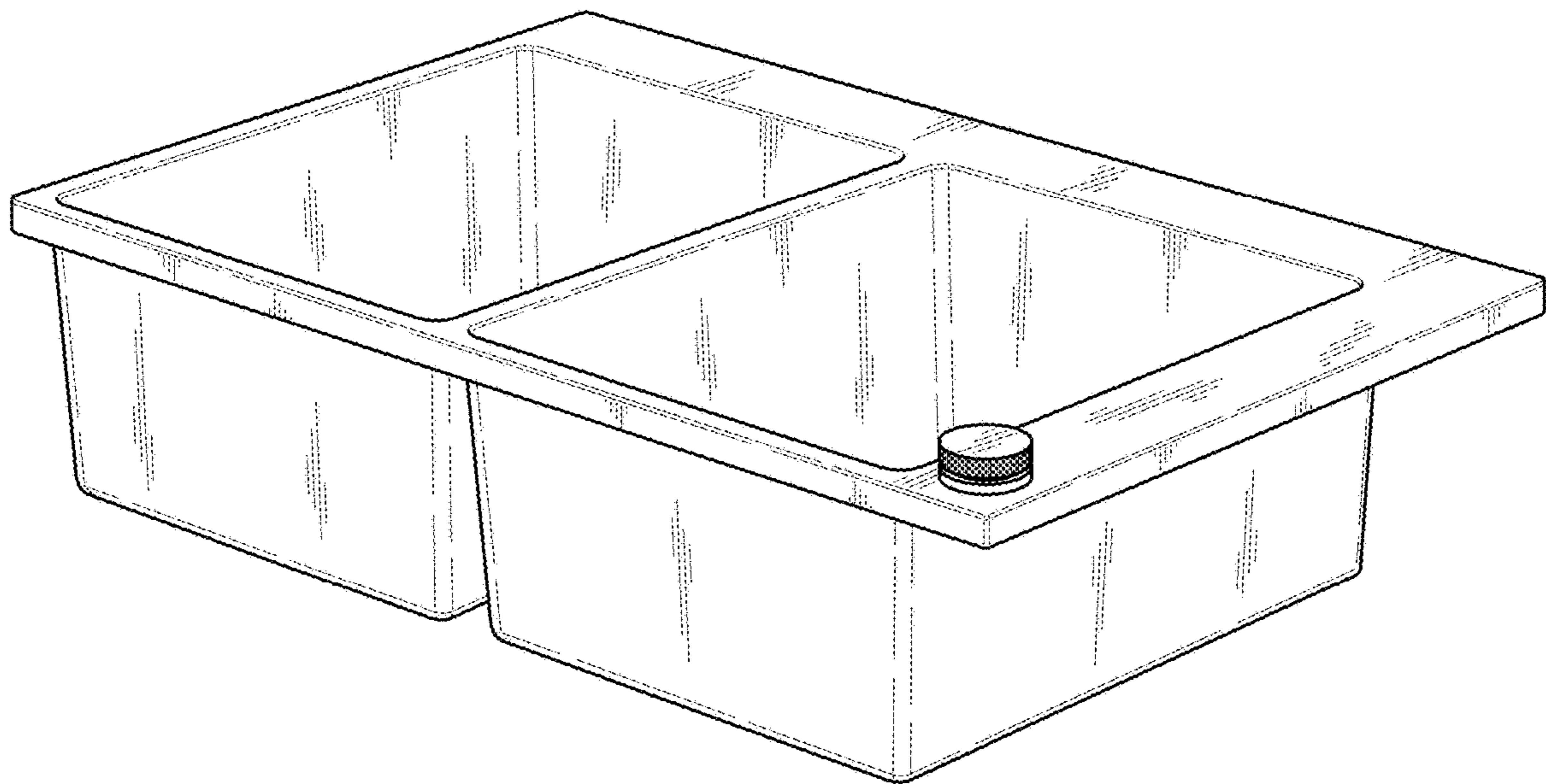


FIG. 2

