



US00D796648S

(12) **United States Design Patent**
Francesconi

(10) **Patent No.:** **US D796,648 S**
(45) **Date of Patent:** **** Sep. 5, 2017**

(54) **SINK**

(71) Applicant: **GALASSIA S.P.A.**, Corchiano (IT)

(72) Inventor: **Albo Francesconi**, Corchiano (IT)

(73) Assignee: **GALASSIA S.P.A.**, Corchiano (IT)

(**) Term: **15 Years**

(21) Appl. No.: **29/574,261**

(22) Filed: **Aug. 12, 2016**

Related U.S. Application Data

(63) Continuation-in-part of application No. 29/532,904, filed on Jul. 10, 2015, now Pat. No. Des. 768,269.

(51) **LOC (10) Cl.** **23-02**

(52) **U.S. Cl.**
USPC **D23/284**

(58) **Field of Classification Search**
USPC D23/284, 286, 287, 288, 292, 293.1
(Continued)

(56) **References Cited**

U.S. PATENT DOCUMENTS

D492,983 S * 7/2004 Rachiele D23/293.1
D494,665 S * 8/2004 Herbeau D23/293.1
(Continued)

OTHER PUBLICATIONS

“Farmer Sinks Collection” (Oct. 2014) *Galassia S.P.A. Italy*, p. 1-32.

Primary Examiner — Robert Delehanty

(74) *Attorney, Agent, or Firm* — Steinfl + Bruno LLP

(57) **CLAIM**

The ornamental design for a sink, as shown and described.

DESCRIPTION

FIG. 1 is a perspective view of a first embodiment of a sink.
FIG. 2 is a front view of the first embodiment of the sink.

FIG. 3 is a rear view of the first embodiment of the sink.

FIG. 4 is a top view of the first embodiment of the sink.

FIG. 5 is a bottom view of the first embodiment of the sink.

FIG. 6 is a left exterior side view of the first embodiment of the sink.

FIG. 7 is a right exterior side view of the first embodiment of the sink.

FIG. 8 is a sectional view of the first embodiment of the sink from the front, as indicated in FIG. 4.

FIG. 9 is a sectional view of the first embodiment of the sink from the left, as indicated in FIG. 5 (inverted).

FIG. 10 is a perspective view of a second embodiment of the sink.

FIG. 11 is a front view of the second embodiment of the sink.

FIG. 12 is a rear view of the second embodiment of the sink.

FIG. 13 is a top view of the second embodiment of the sink.

FIG. 14 is a bottom view of the second embodiment of the sink.

FIG. 15 is a left exterior side view of the second embodiment of the sink.

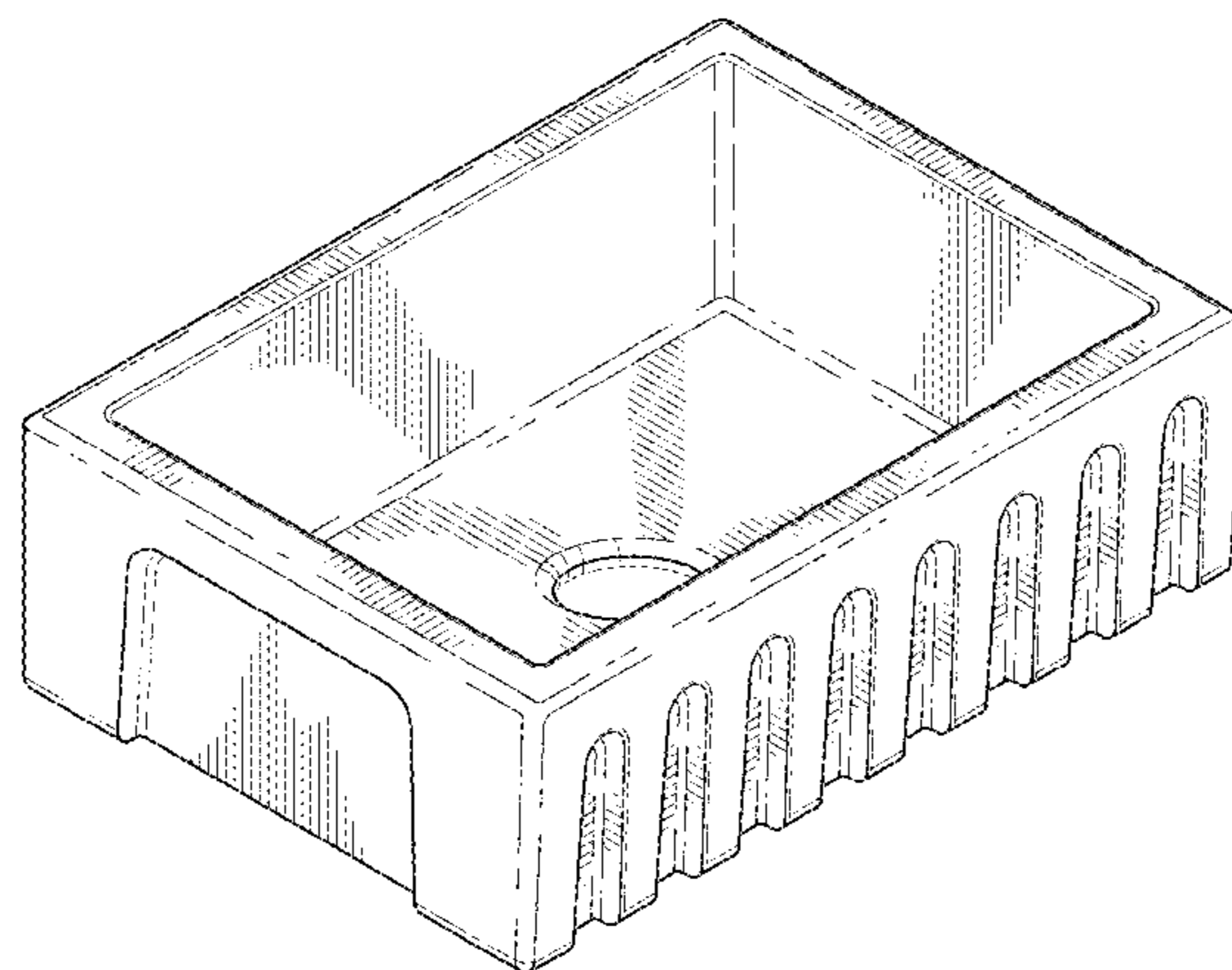
FIG. 16 is a right exterior side view of the second embodiment of the sink.

FIG. 17 is a sectional view of the second embodiment of the sink from the front, as indicated in FIG. 13; and,

FIG. 18 is a sectional view of the second embodiment of the sink from the left, as indicated in FIG. 14 (inverted).

The arrows and corresponding lines in FIGS. 4 and 5 indicate the sectional views for FIGS. 8 and 9 respectively (with FIG. 9 inverted to be right-side-up). The arrows and corresponding lines in FIGS. 13 and 14 indicate the sectional views for FIGS. 17 and 18 respectively (with FIG. 18 inverted to be right-side-up). The broken lines in FIGS. 5, 8, and 9 indicate that the design of the underside of the sink is not claimed matter in the first embodiment.

1 Claim, 8 Drawing Sheets



(58) **Field of Classification Search**

CPC E03C 1/14; E03C 1/16; E03C 1/18; A47K
1/02; A47L 17/02; A47L 19/02

See application file for complete search history.

(56) **References Cited**

U.S. PATENT DOCUMENTS

D624,635 S *	9/2010	Eckhaus	D23/308
D624,636 S *	9/2010	Eckhaus	D23/308
D627,449 S *	11/2010	Eckhaus	D23/308
D685,069 S *	6/2013	Eckhaus	D23/308
D685,458 S *	7/2013	Eckhaus	D23/308
D705,404 S *	5/2014	Anzellini	D23/293.1

* cited by examiner

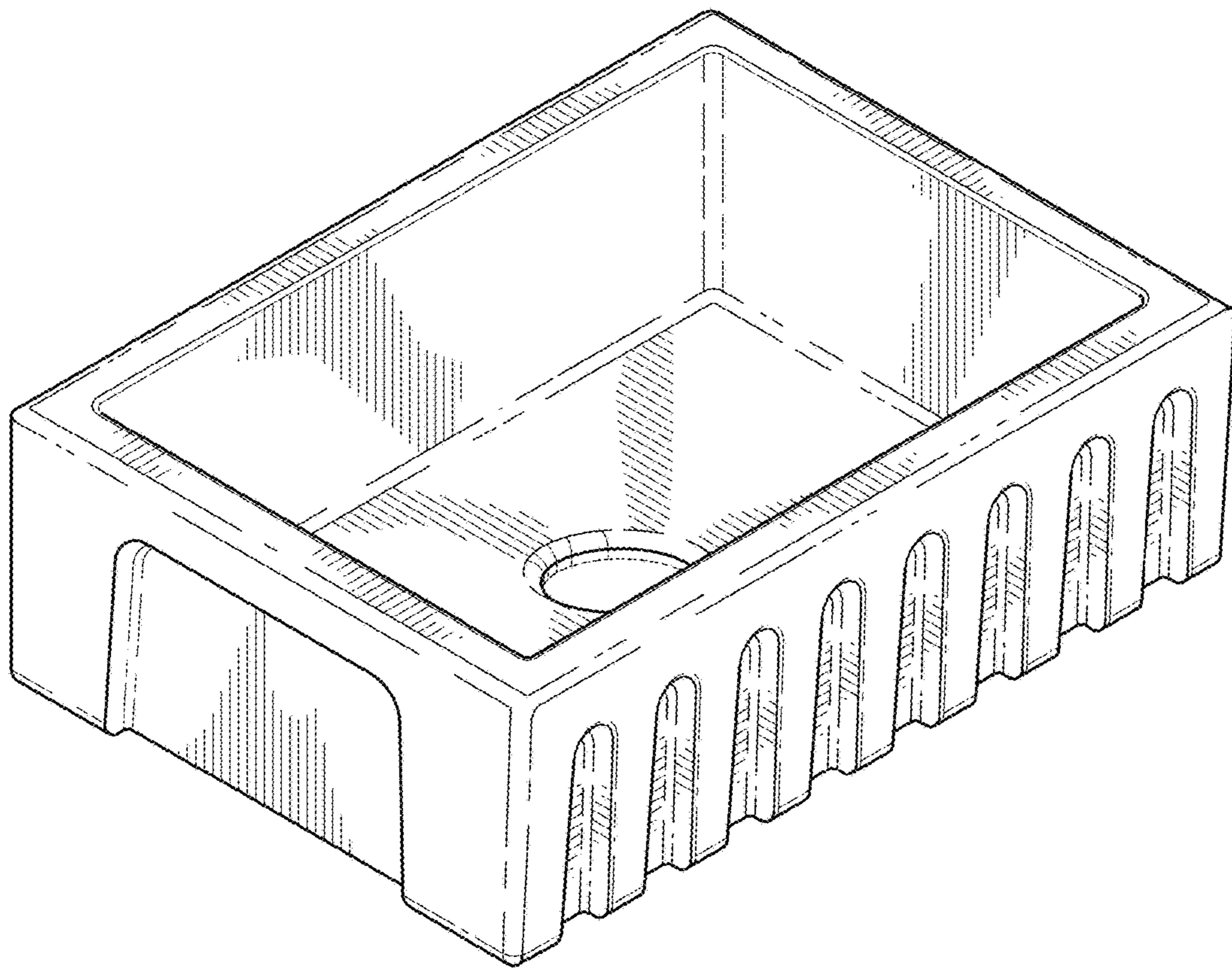


FIG. 1

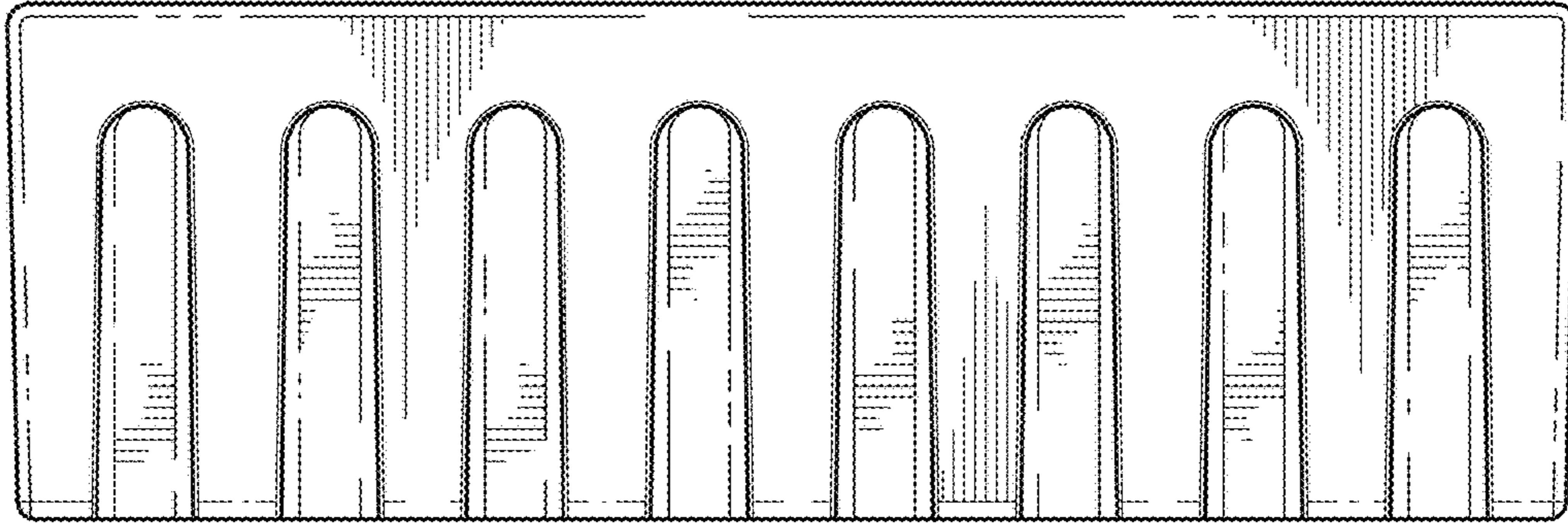


FIG. 2

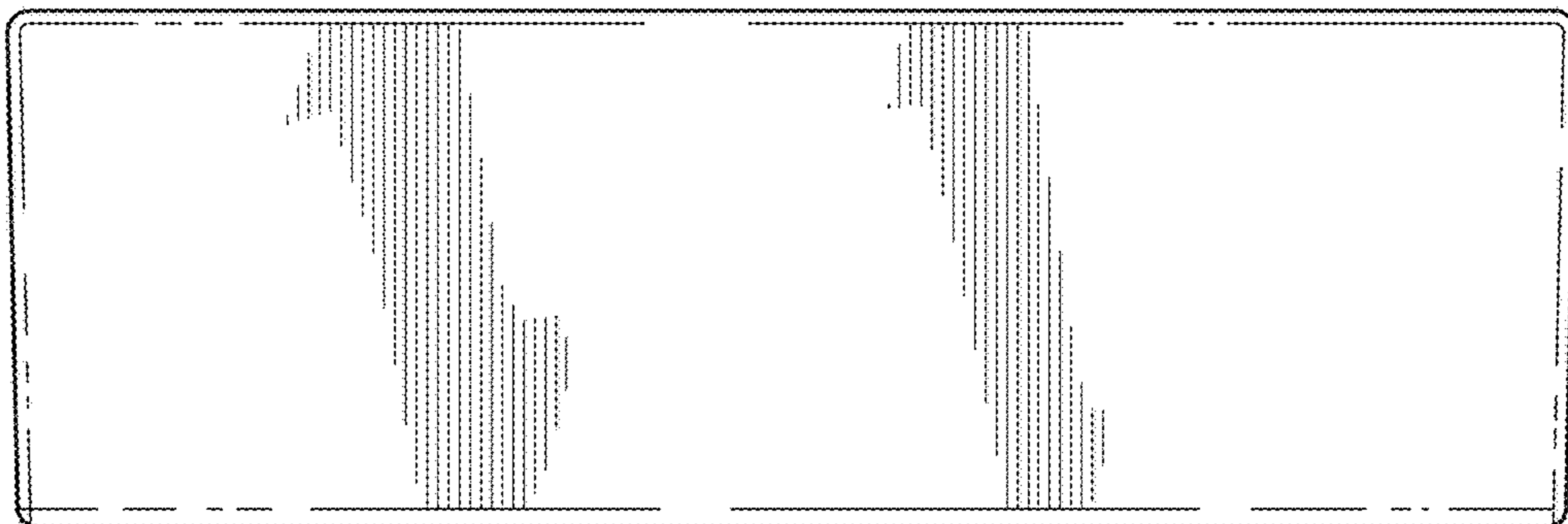


FIG. 3

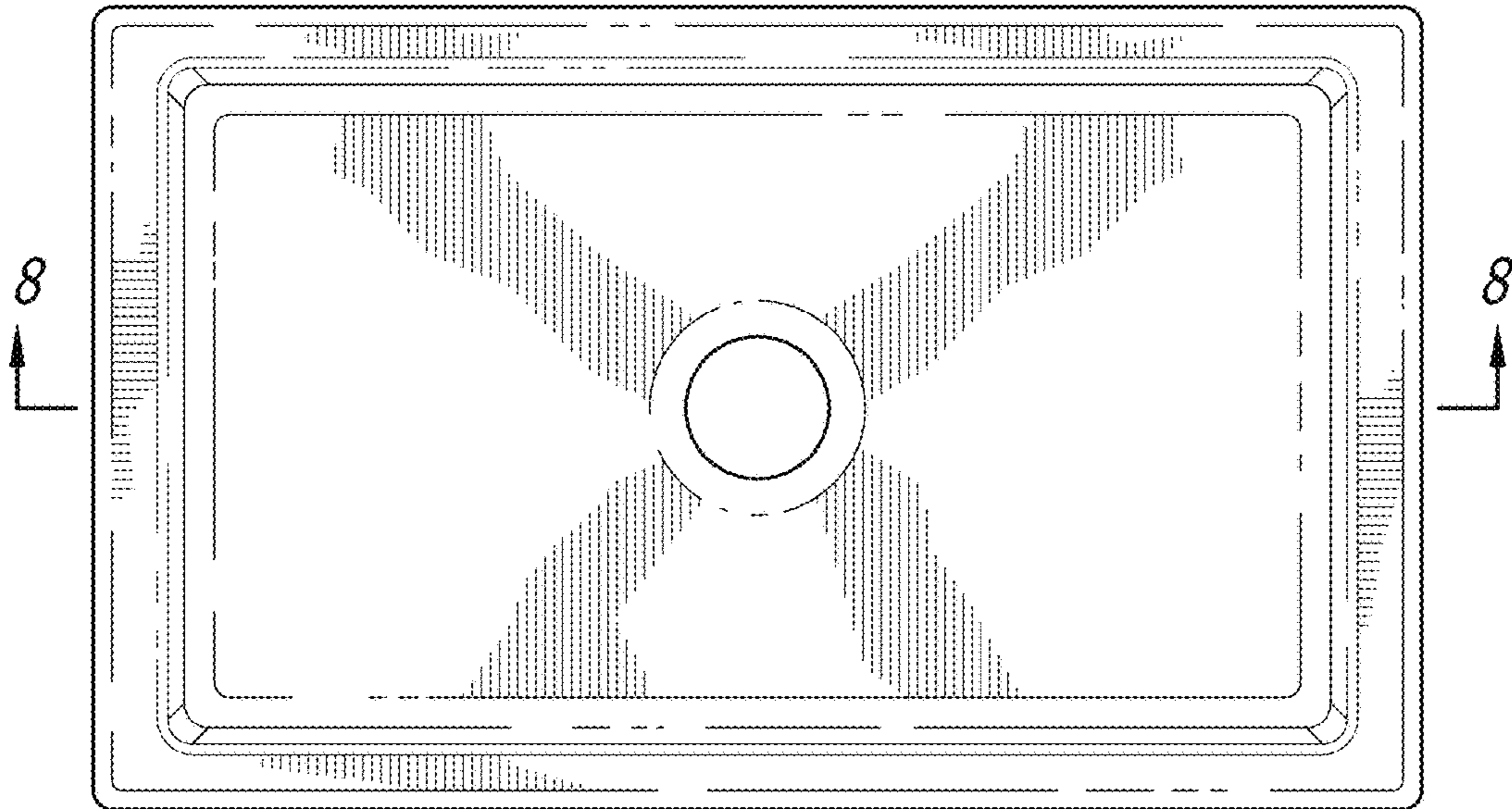


FIG. 4

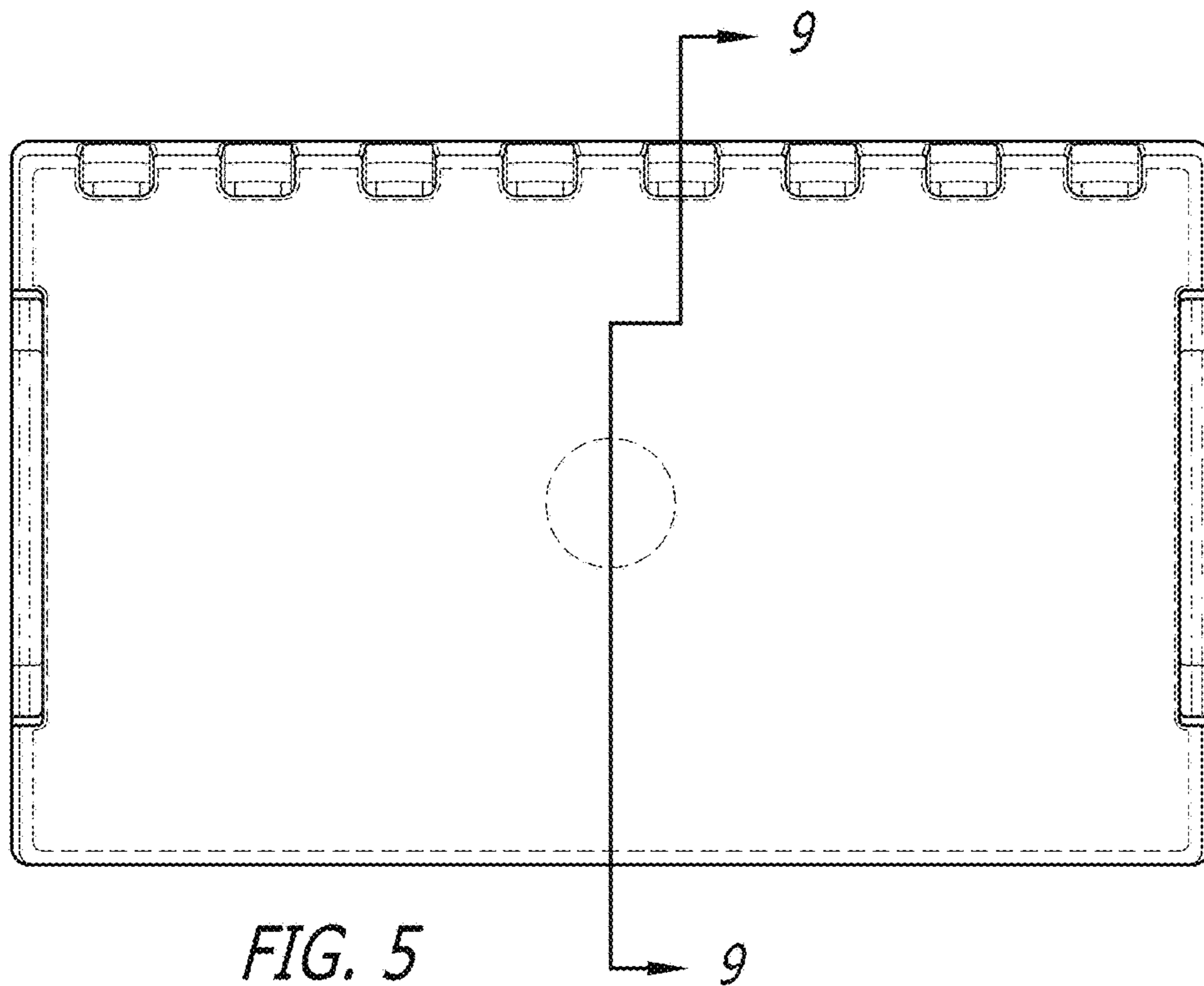


FIG. 5

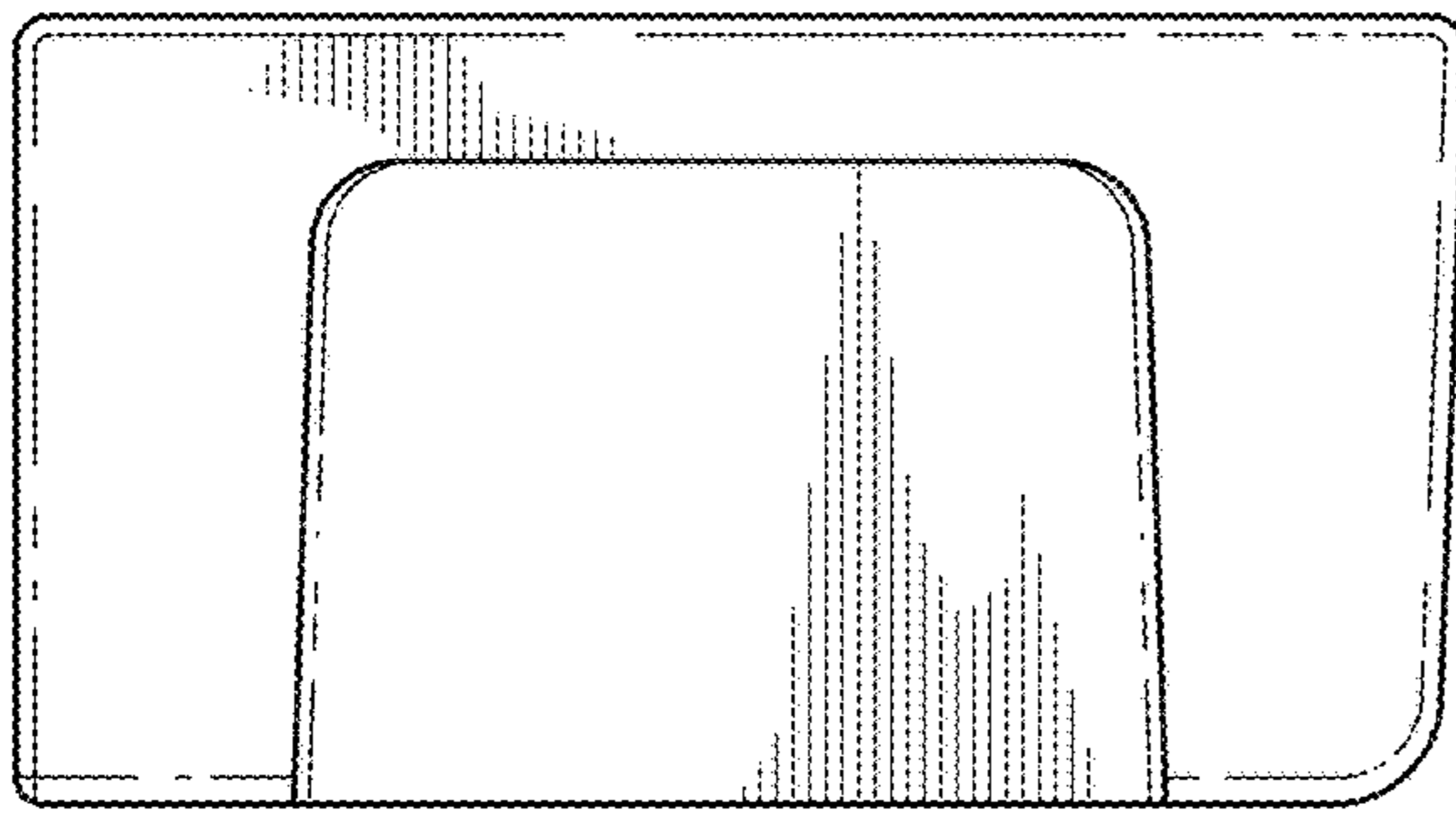


FIG. 6

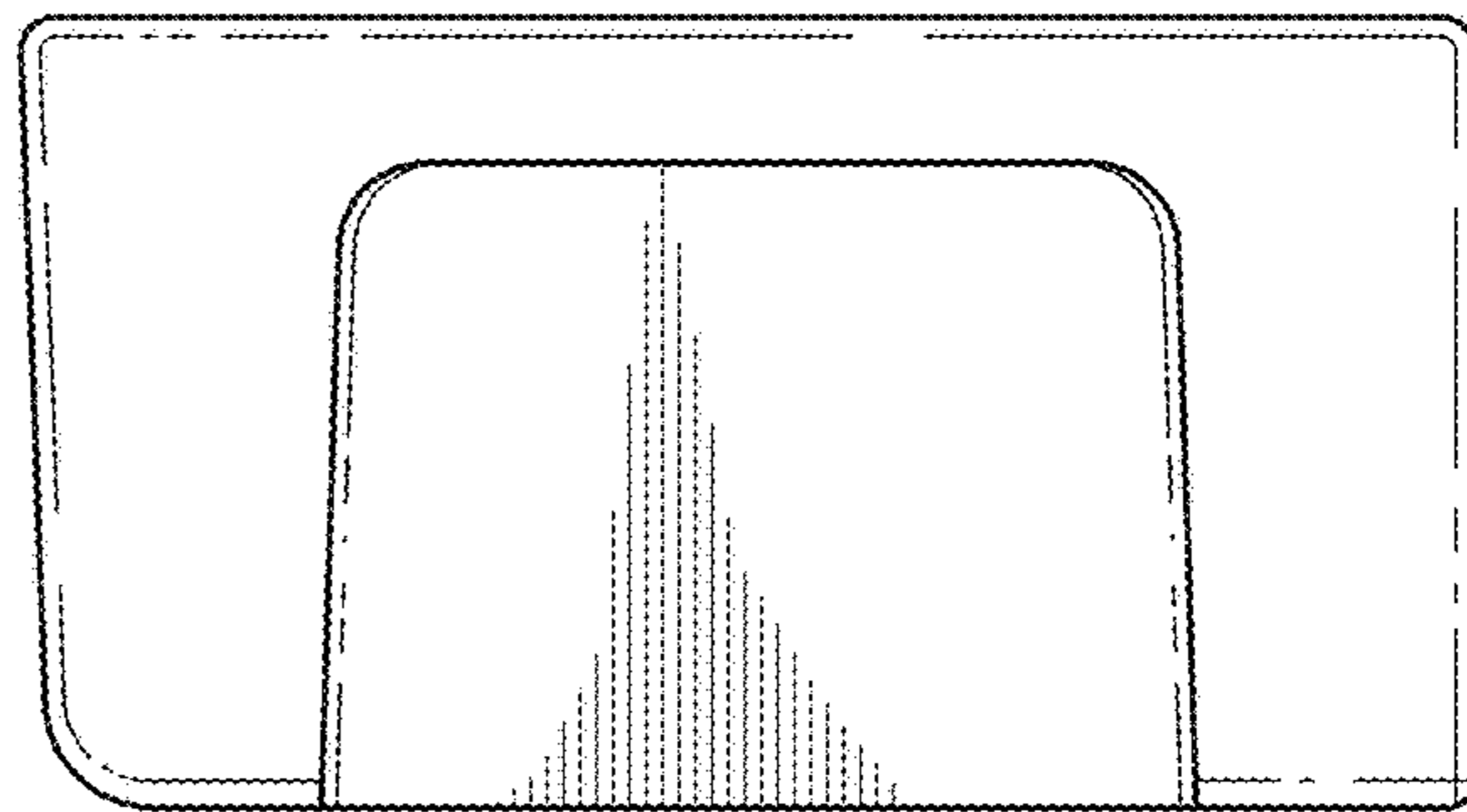


FIG. 7

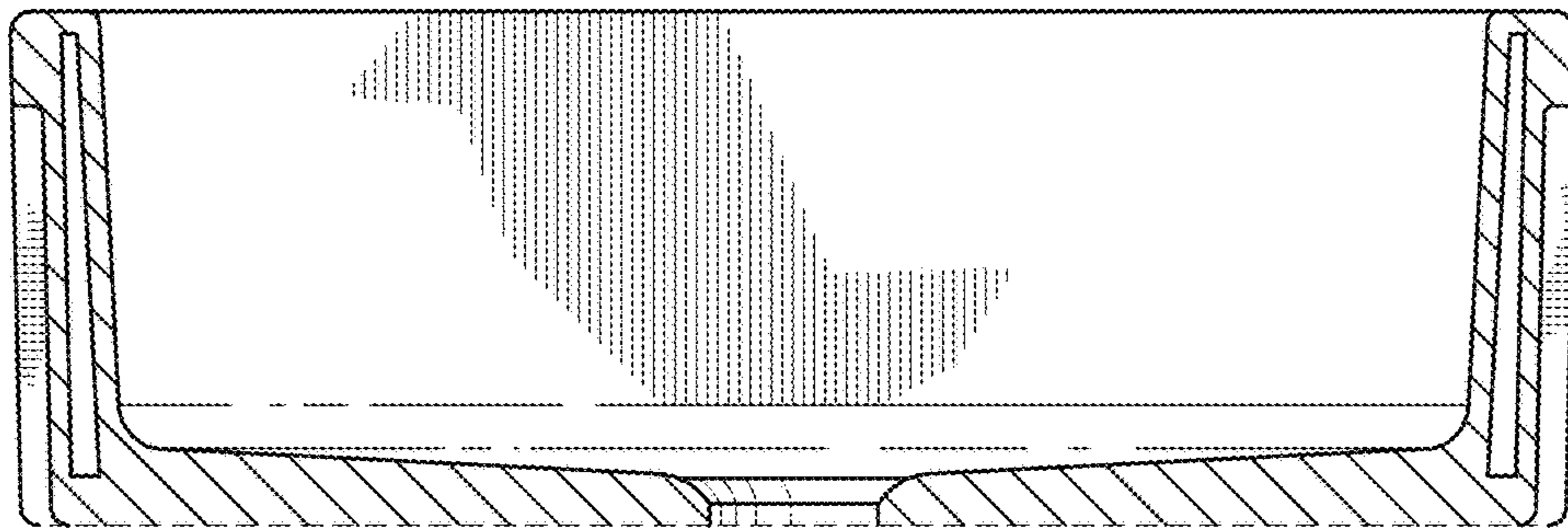


FIG. 8

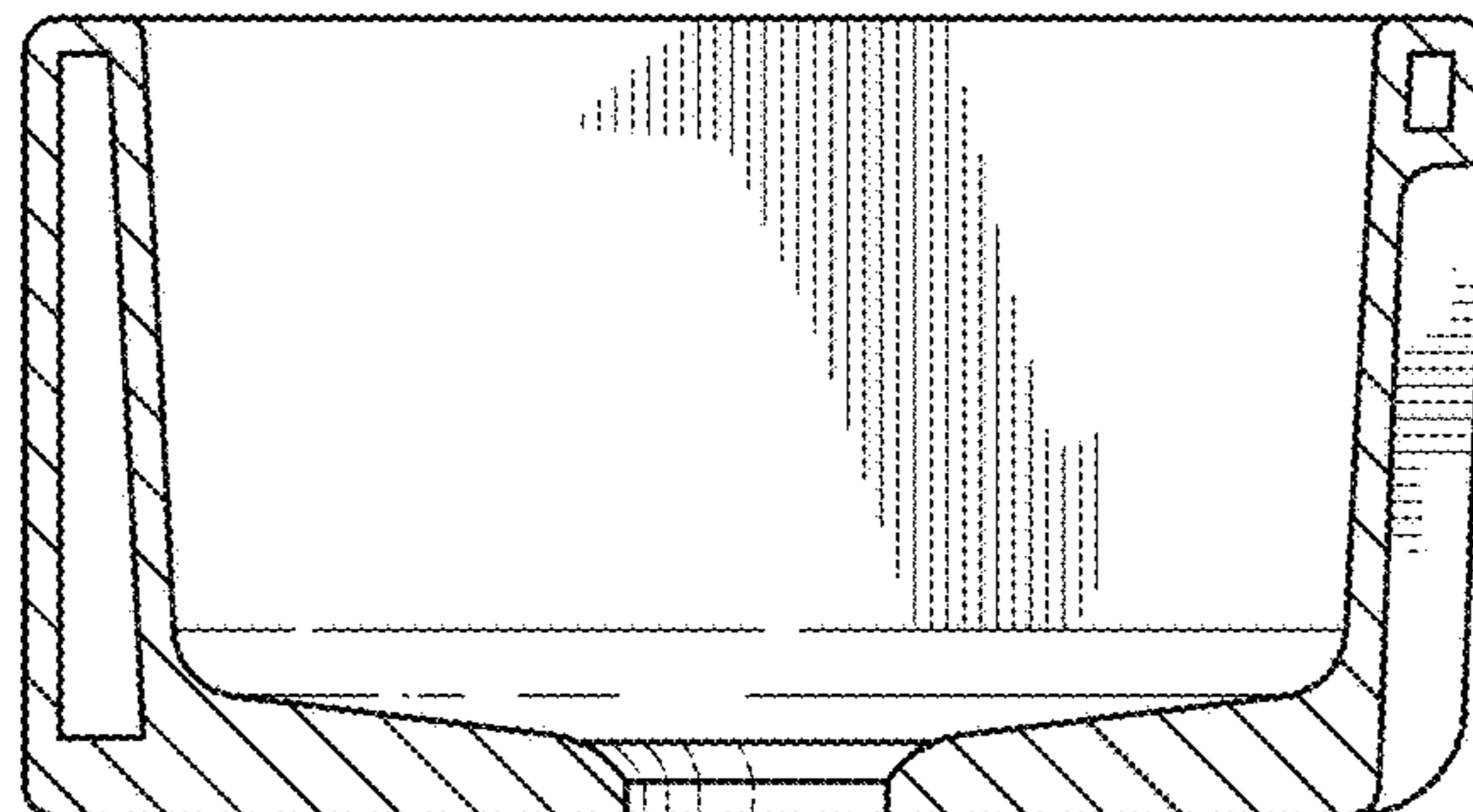


FIG. 9

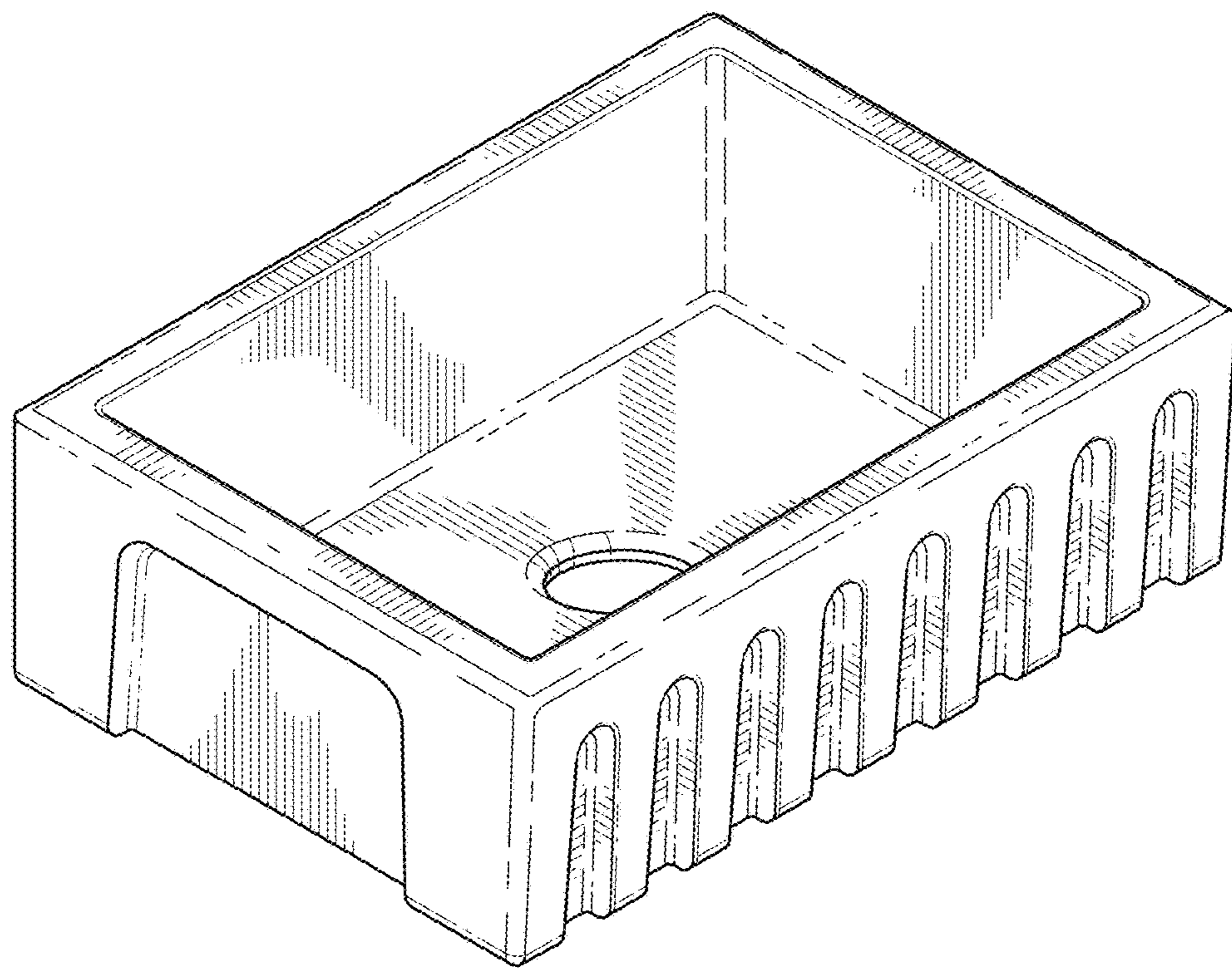


FIG. 10

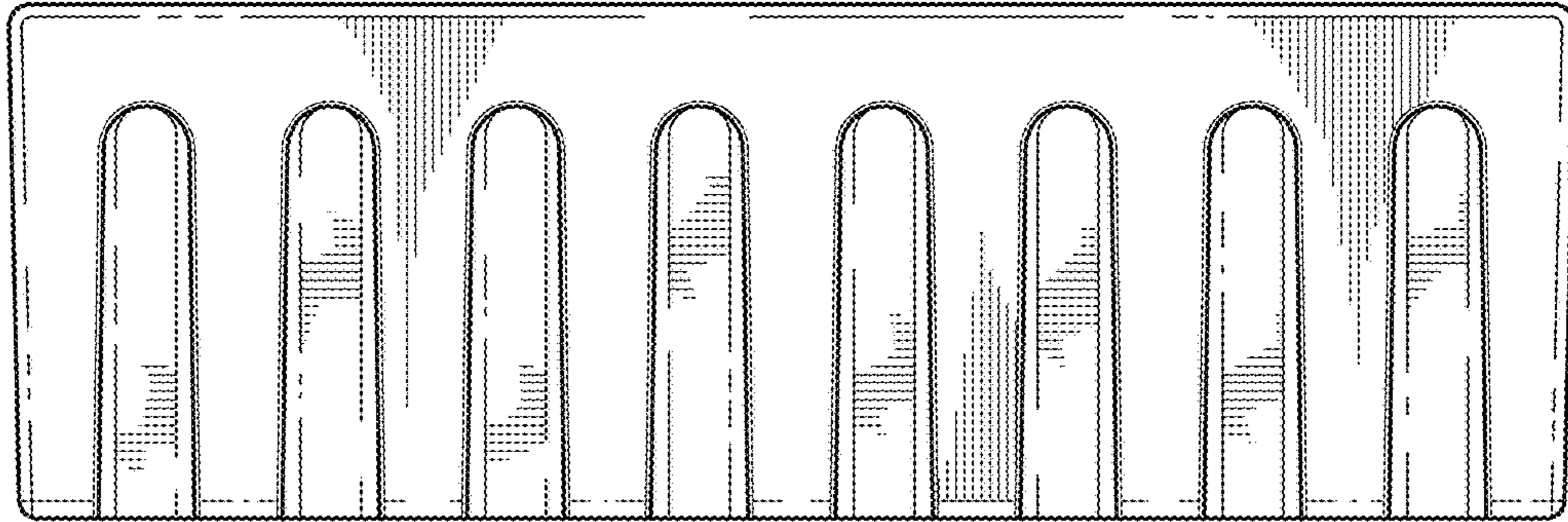


FIG. 11

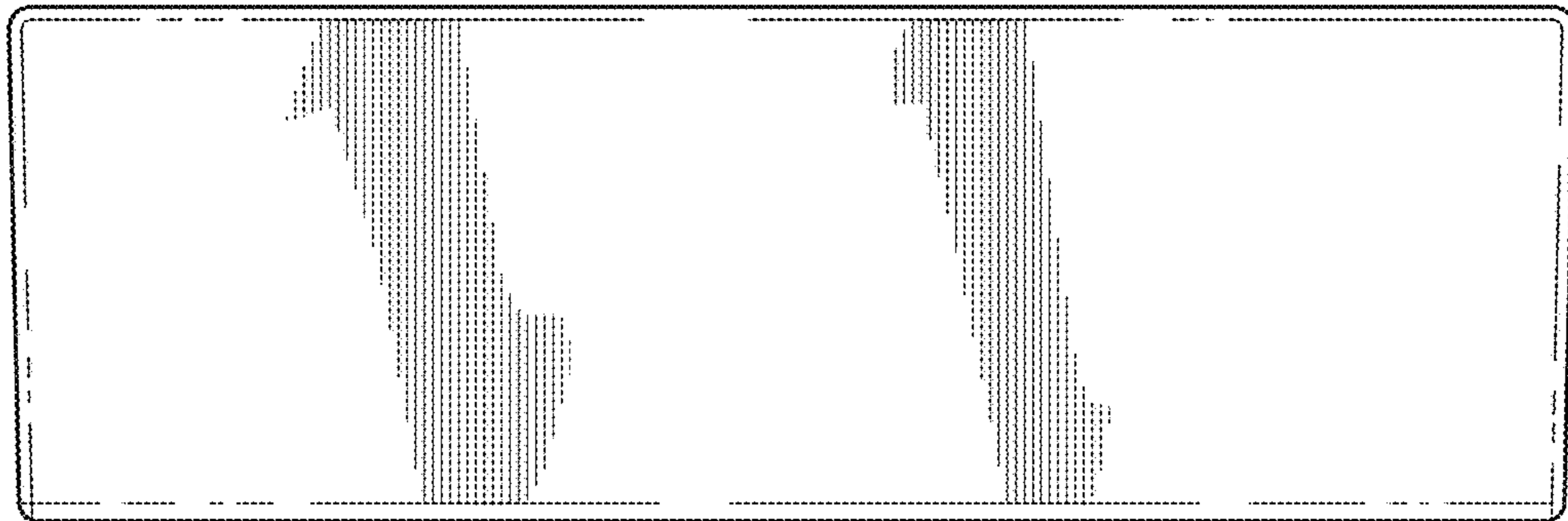


FIG. 12

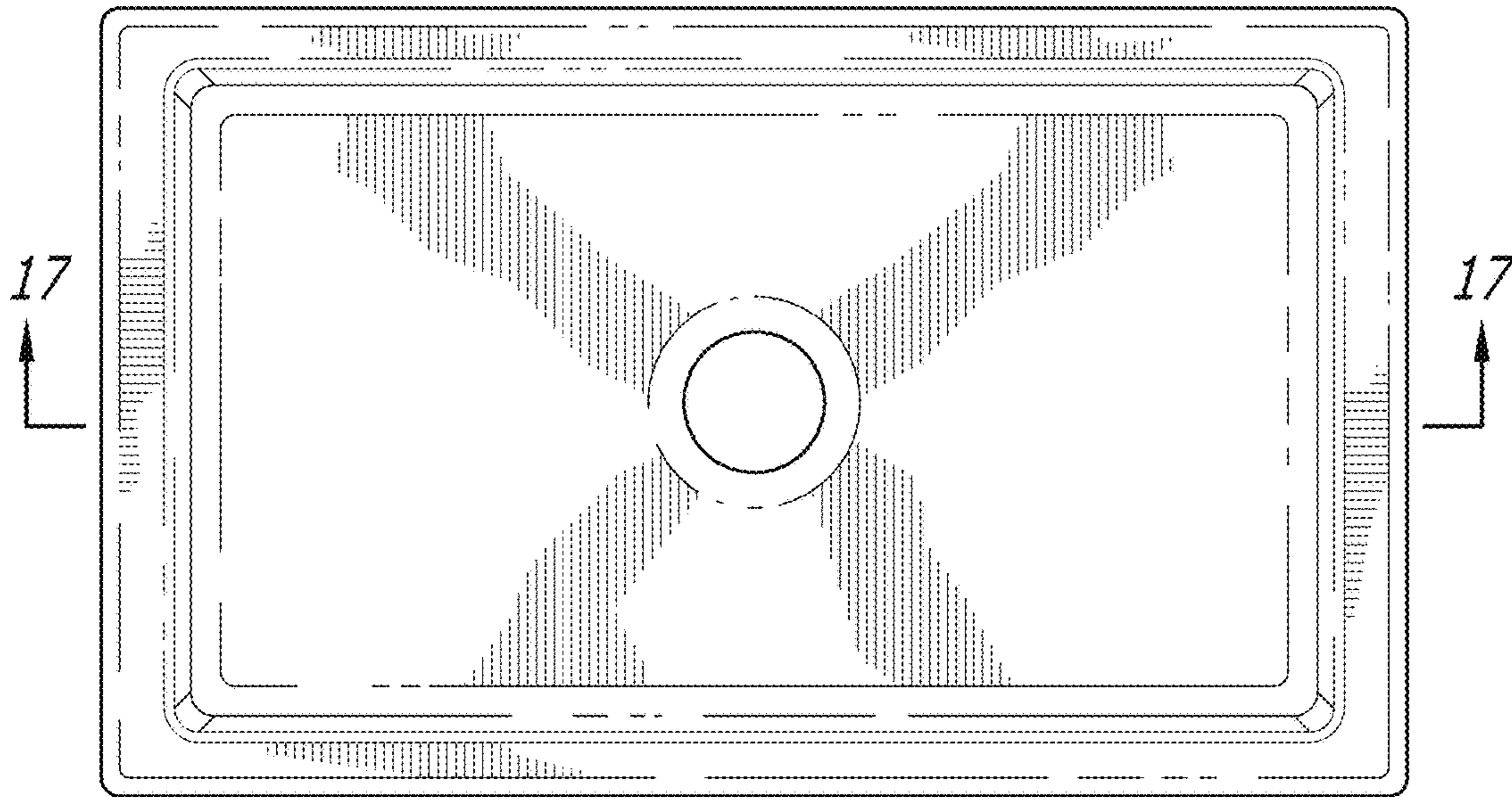


FIG. 13

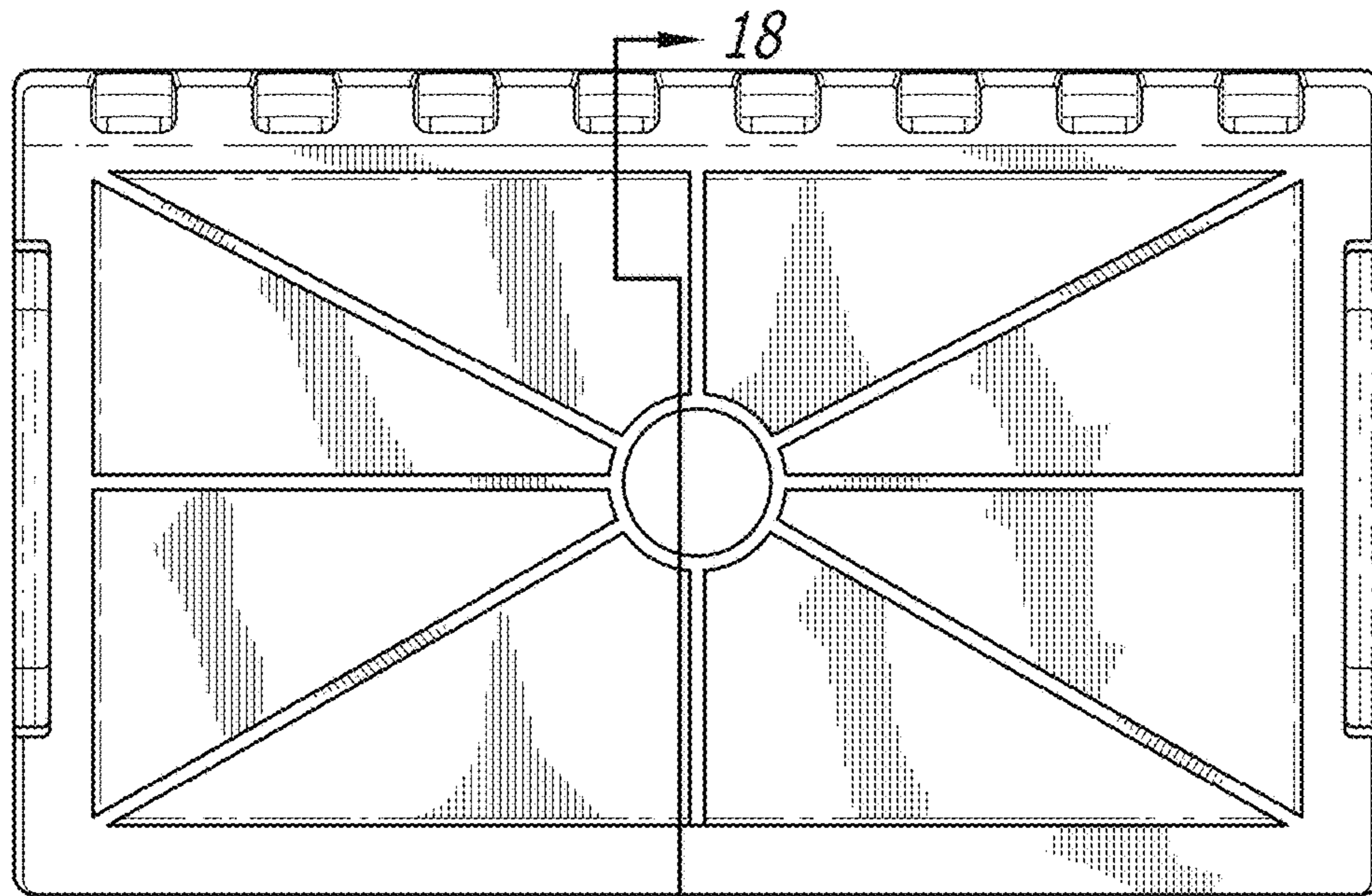


FIG. 14

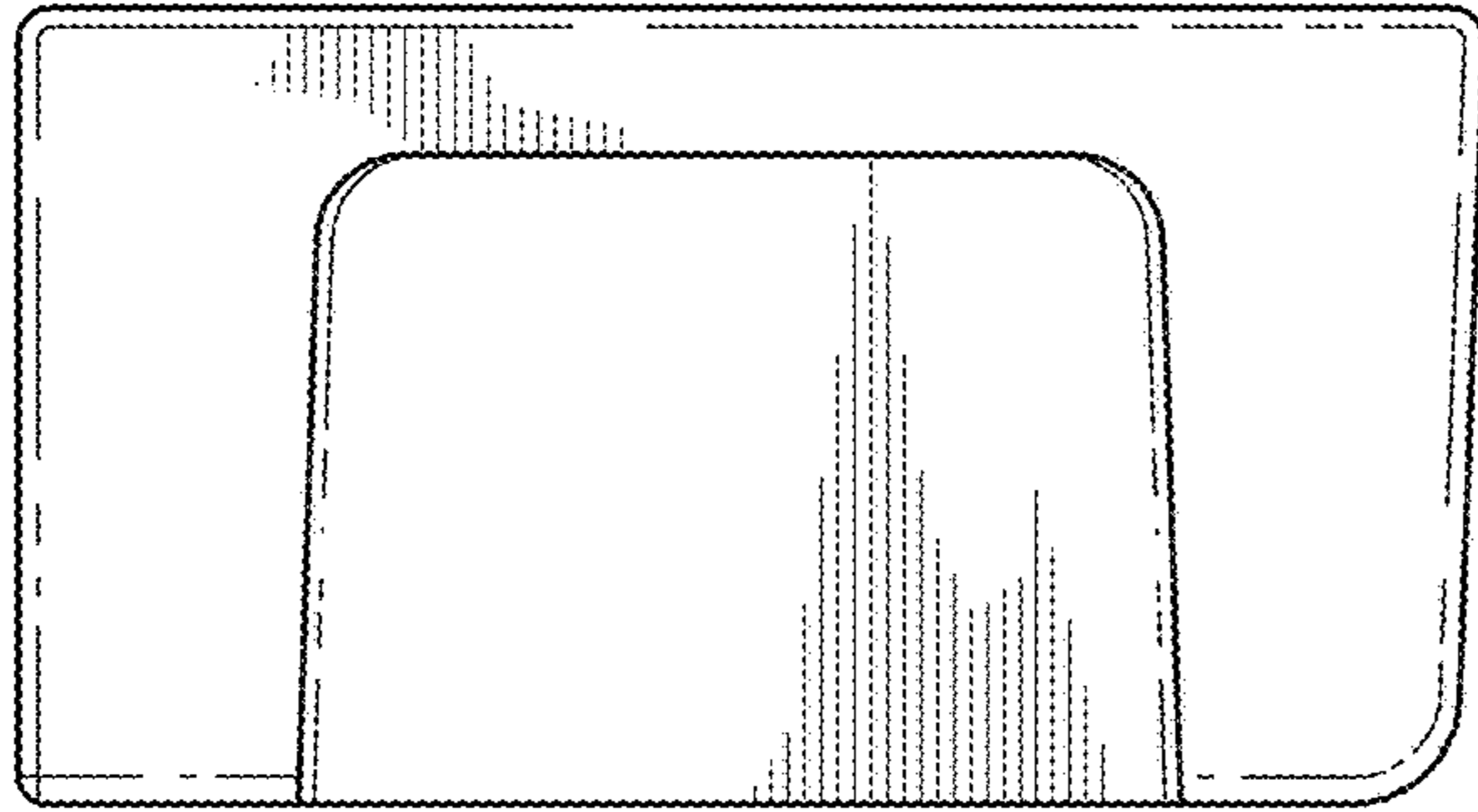


FIG. 15

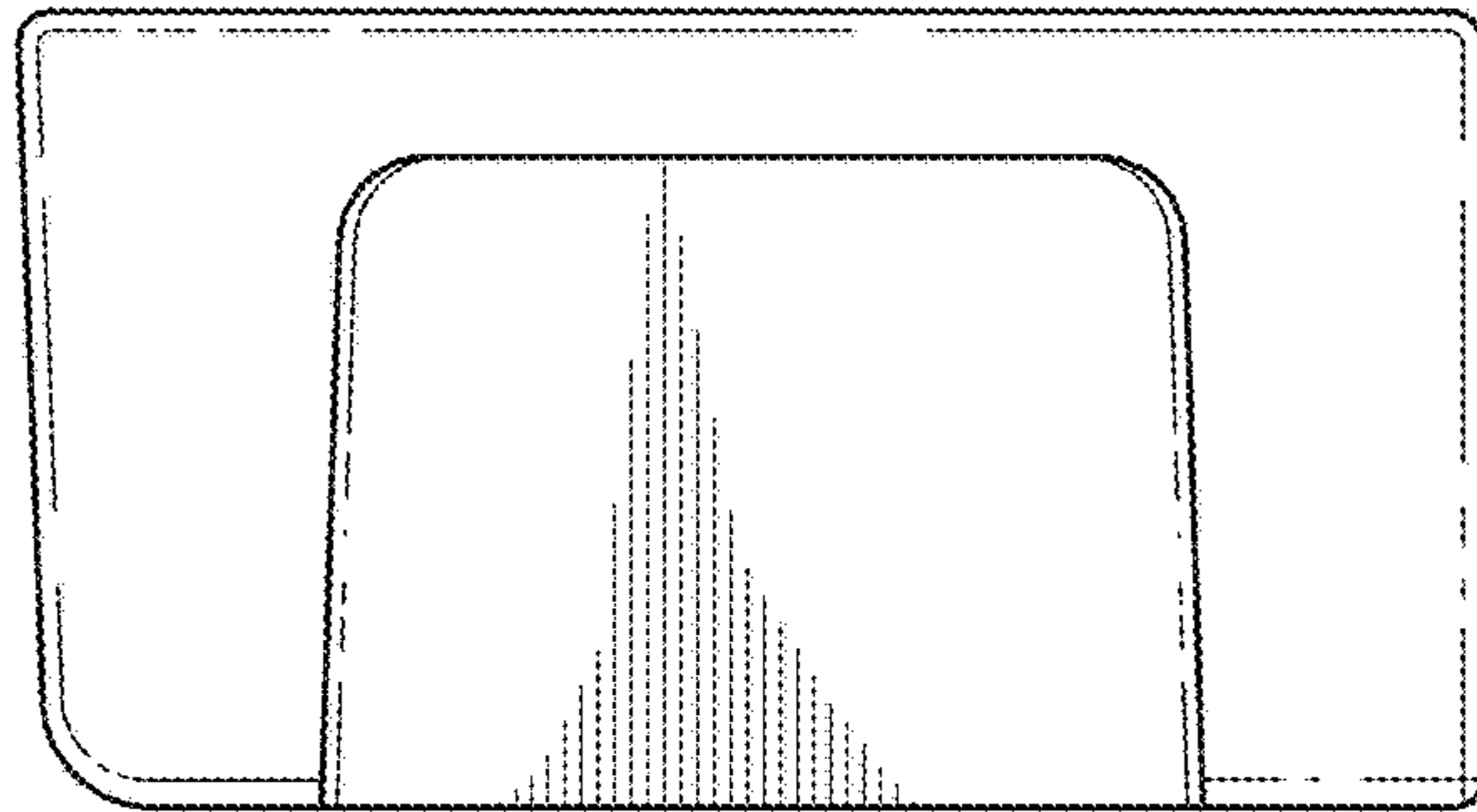


FIG. 16

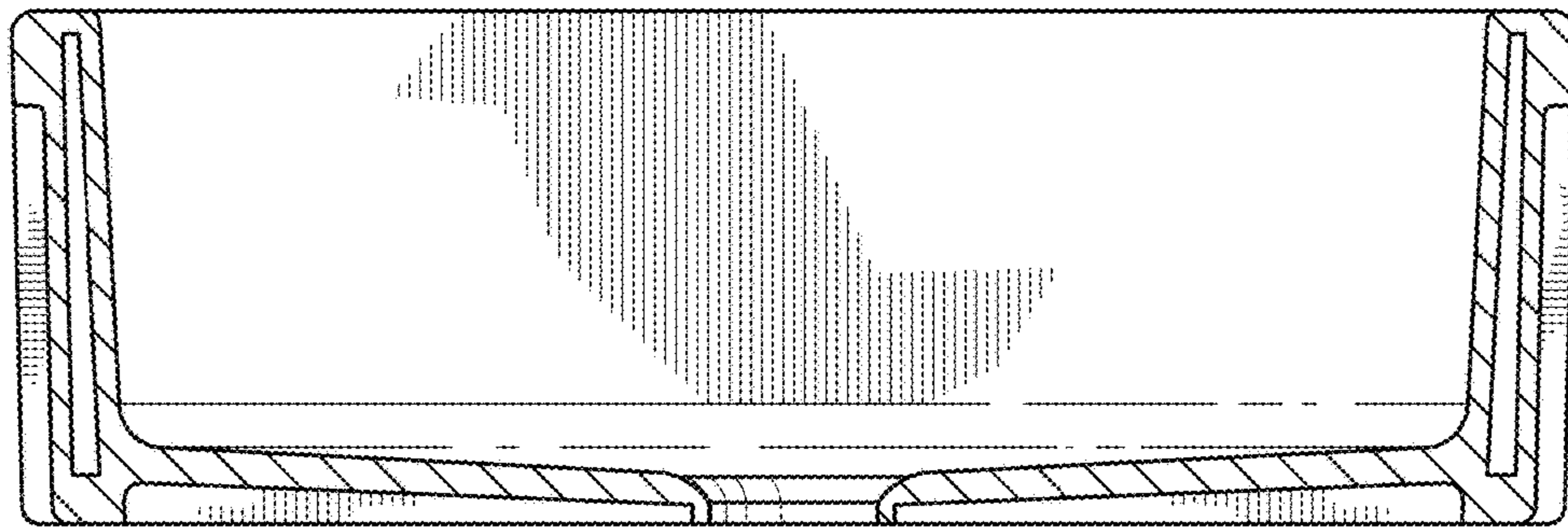


FIG. 17

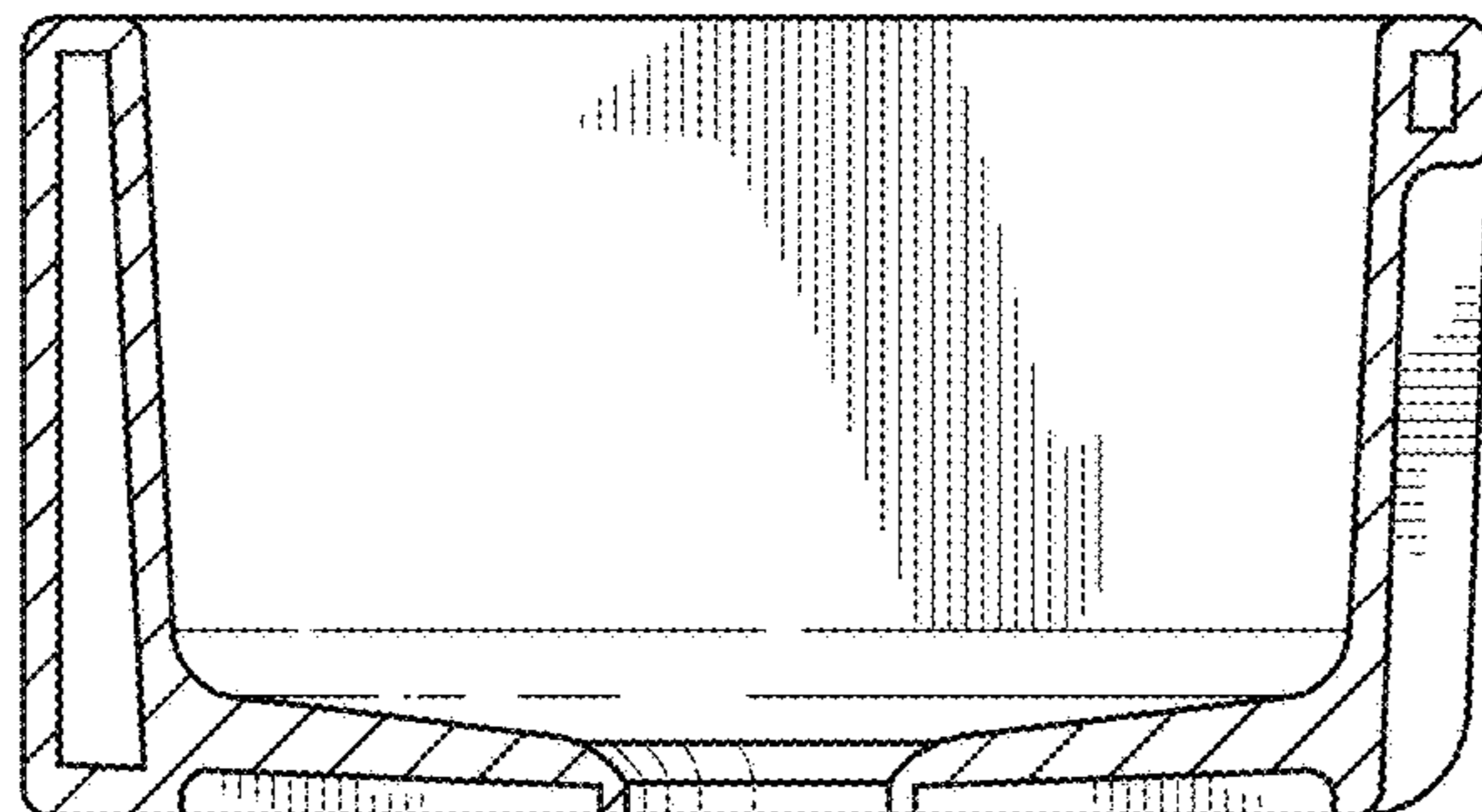


FIG. 18