



US00D796645S

(12) **United States Design Patent** (10) **Patent No.:** **US D796,645 S**
Cook et al. (45) **Date of Patent:** **** Sep. 5, 2017**

- (54) **AIRCRAFT INTERIOR LAVATORY**
- (71) Applicant: **B/E Aerospace, Inc.**, Wellington, FL (US)
- (72) Inventors: **Don Cook**, Arlington, WA (US); **Liberty D. Harrington**, Seattle, WA (US); **Philipp Steiner**, Seattle, WA (US); **Robert K. Brauer**, Seattle, WA (US); **Trevor Skelly**, Mercer Island, WA (US)
- (73) Assignee: **B/E AEROSPACE, INC.**, Wellington, FL (US)

2,914,001 A	11/1959	Murphy
3,738,497 A	6/1973	Betts et al.
4,055,317 A	10/1977	Greiss
4,884,767 A	12/1989	Shibata
5,150,863 A	9/1992	Hozumi et al.
5,333,416 A	8/1994	Harris et al.
5,340,059 A	8/1994	Kanigowski
5,482,230 A	1/1996	Bird et al.
5,529,265 A	6/1996	Sakurai
5,577,358 A	11/1996	Franke
5,611,503 A	3/1997	Brauer
5,716,026 A	2/1998	Pascasio et al.
6,000,659 A	12/1999	Brauer
6,079,669 A	6/2000	Hanay et al.
6,237,872 B1	5/2001	Bar-Levav
6,520,451 B1	2/2003	Moore

(Continued)

- (**) Term: **15 Years**
- (21) Appl. No.: **29/620,272**
- (22) Filed: **Aug. 10, 2016**

FOREIGN PATENT DOCUMENTS

DE	694 22 723 T2	6/2000
DE	697 25 542 T2	4/2004

(Continued)

Related U.S. Application Data

- (60) Continuation of application No. 29/539,990, filed on Sep. 18, 2015, now Pat. No. Des. 764,031, which is a division of application No. 29/469,502, filed on Oct. 10, 2013, now Pat. No. Des. 749,709, which is a division of application No. 13/089,063, filed on Apr. 18, 2011, now Pat. No. 8,590,838.
- (51) **LOC (10) Cl.** **23-02**
- (52) **U.S. Cl.**
USPC **D23/271**; D12/345; D23/274
- (58) **Field of Classification Search**
USPC D23/270, 274
CPC . B64D 2011/0069; B64D 11/04; B64D 11/02;
B64D 11/06; B64D 2011/0046
See application file for complete search history.

OTHER PUBLICATIONS

International Search Report, Jan. 27, 2015, 5 pages, from PCT/US2013/050342 published as WO 2014/014780 on Jan. 23, 2014.

(Continued)

Primary Examiner — Robert Delehanty
(74) *Attorney, Agent, or Firm* — Gardella Grace P.A.

(57) **CLAIM**

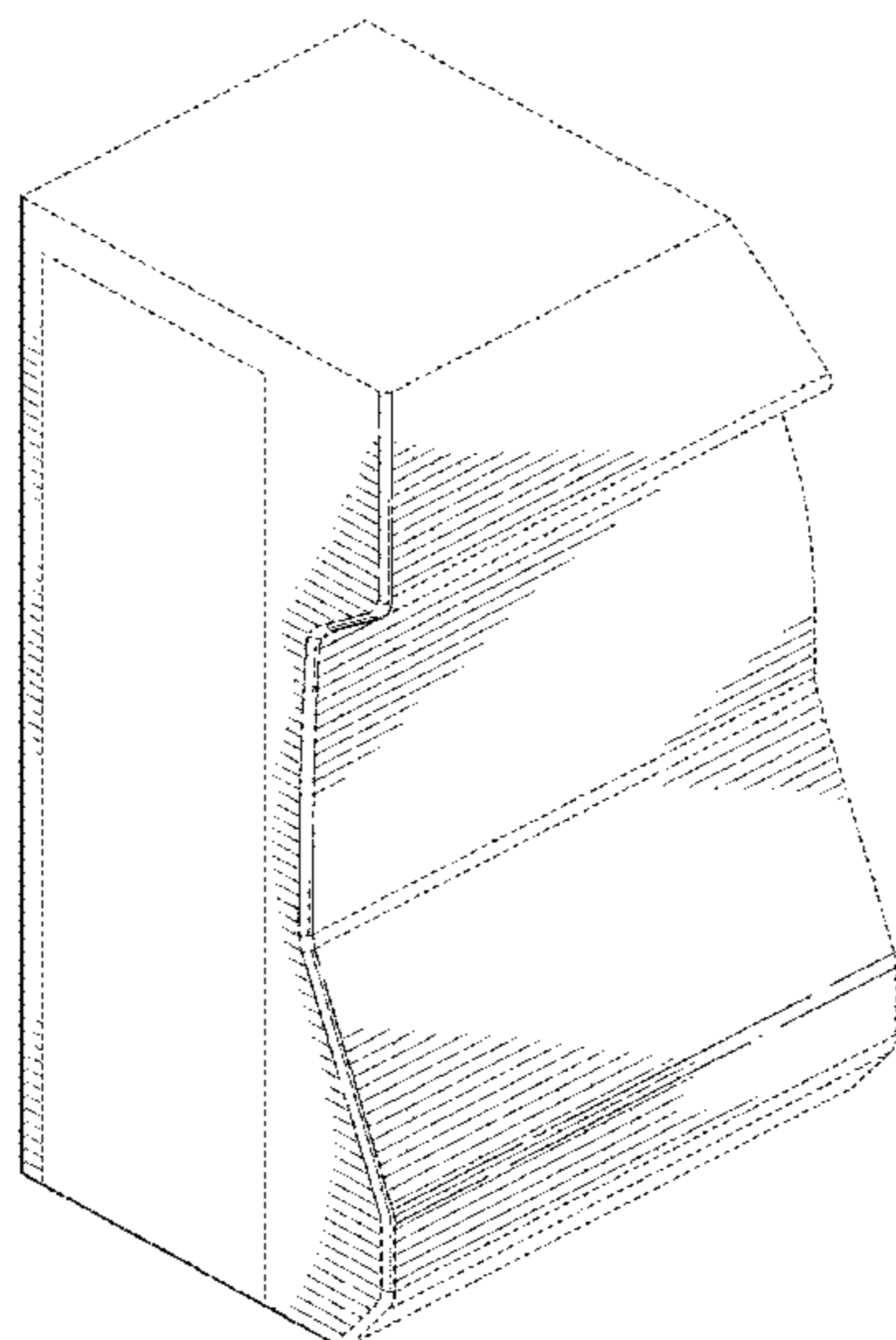
The ornamental design for an aircraft interior lavatory, as shown.

DESCRIPTION

FIG. 1 is a front side view of an aircraft interior lavatory showing our design.
FIG. 2 is a front perspective view thereof; and,
FIG. 3 is a front side view thereof.

1 Claim, 3 Drawing Sheets

- (56) **References Cited**
U.S. PATENT DOCUMENTS
2,650,368 A 9/1953 Evans
2,760,443 A 8/1956 Gobrecht



(56)

References Cited

U.S. PATENT DOCUMENTS

6,615,421 B2 9/2003 Itakura
 6,742,840 B2 6/2004 Bentley
 6,822,812 B1 11/2004 Brauer
 6,874,731 B1 4/2005 Brauer et al.
 6,889,936 B1 5/2005 Pho et al.
 D508,173 S 8/2005 Guard et al.
 D516,496 S 3/2006 Guard et al.
 D533,129 S 12/2006 Guard et al.
 7,156,345 B2 1/2007 Brauer et al.
 7,222,820 B2 5/2007 Wentland et al.
 7,252,267 B2 8/2007 Young et al.
 7,284,287 B2 10/2007 Cooper et al.
 7,331,545 B2 2/2008 Young et al.
 7,448,574 B2 11/2008 Young et al.
 7,448,575 B2 11/2008 Cheung et al.
 7,469,860 B2 12/2008 Young et al.
 7,516,919 B2 4/2009 Young et al.
 D606,923 S 12/2009 Young et al.
 D617,254 S 6/2010 Guard et al.
 7,871,039 B2 1/2011 Fullerton et al.
 7,934,679 B2 5/2011 Bock et al.
 8,087,613 B2 1/2012 Fullerton et al.
 8,096,502 B2 1/2012 Bock et al.
 8,109,469 B2 2/2012 Breuer et al.
 8,162,258 B2 4/2012 Joannis et al.
 8,167,244 B2 5/2012 Johnson et al.
 8,177,163 B2 5/2012 Wilczynski et al.
 8,590,838 B2 11/2013 Cook
 D705,909 S 5/2014 Koyama
 2006/0192050 A1 8/2006 Cheung et al.
 2007/0164157 A1 7/2007 Park
 2007/0170310 A1 7/2007 Bock et al.
 2007/0241232 A1 10/2007 Thompson
 2007/0295863 A1 12/2007 Thompson
 2009/0050738 A1 2/2009 Breuer et al.
 2009/0065642 A1 3/2009 Cheung et al.
 2009/0146004 A1 6/2009 Plant et al.
 2009/0200422 A1 8/2009 Johnson et al.
 2009/0255437 A1 10/2009 Hachet et al.
 2010/0059625 A1 3/2010 Saint-Jalmes et al.
 2010/0181425 A1 7/2010 Guering et al.
 2011/0121134 A1 5/2011 Schotte et al.
 2011/0139930 A1 6/2011 Suetthoff et al.
 2011/0210205 A1 9/2011 Bock et al.
 2012/0112505 A1 5/2012 Breuer et al.
 2012/0253752 A1 10/2012 Brauer
 2012/0273614 A1 11/2012 Ehlers et al.
 2012/0325964 A1 12/2012 Hawkins et al.
 2013/0206906 A1 8/2013 Burrows et al.
 2014/0014774 A1 1/2014 Pozzi et al.
 2014/0027572 A1 1/2014 Ehlers et al.
 2014/0027574 A1 1/2014 Obadia et al.
 2015/0363656 A1 12/2015 Brauer

FOREIGN PATENT DOCUMENTS

EP 0 722 404 A1 7/1996
 EP 0 850 834 A1 7/1998

EP 1 281 614 A1 2/2003
 EP 1 685 023 A0 8/2006
 WO WO 03/026495 A2 4/2003
 WO WO 2005/014395 A1 2/2005
 WO WO 2005/080196 A1 9/2005
 WO WO 2007/006938 A1 1/2007

OTHER PUBLICATIONS

McDonnell Douglas, DC-10 Customer Configuration, Oct. 1978, 177 pages.
 C&D Zodiac, Inc.'s proposal to Scandinavian Airlines System to manufacture S4 Storage Unit, Aug. 23, 2001, 17 pages.
 C&D Zodiac, Inc.'s drawings with a leading page entitled "MD90," 27 pages.
 Photographs of C&D Zodiac, Inc.'s S4 storage unit, 5 pages.
 C&D Zodiac, Inc.'s Petition for Inter Partes Review of U.S. Pat. No. 8,590,838 (including exhibits/tabs 1-9), May 2, 2014, 856 pages.
 Technical Proposal by FSI to Air France regarding a Door 4 overhead crew rest station for the Boeing 747, Aug. 3, 1994, 10 pages.
 Rendering and photographs of Boeing 747 overhead crew rest station, 3 pages.
 B/E Aerospace, Inc. Motion for Preliminary Injunction, May 16, 2014, 25 pages.
 Greg Chamitoff Declaration in support of B/E Aerospace, Inc.'s Motion for Preliminary Injunction, May 14, 2014, 39 pages.
 Chinese Search Report, Aug. 5, 2014, 1 pages, from Chinese application No. 2011800202050.
 EPO, International Search Report and Written Opinion for PCT International Application No. PCT/US2011/033090 dated Sep. 15, 2011.
 Slide Deck, B/E Aerospace, Spacewall Technology, Examiner Interview, Feb. 24, 2016, 53 pages.
 Final Written Decision, Case IPR2014-00727, Paper No. 65 (PTA8 Oct. 26, 2015) 4 pages.
 Startup Boeing, DC-10 presentation, copyright 2007.
 Letter from Flight Structures, Inc. to Air France, Aug. 3, 1994, re"B747-4DDM Door 4 Crew Rest" and enclosures.
 Flight Structures, Inc., 747 Door 4 Overhead Crew Rest rendering.
 Petition for Post Grant Review of U.S. Pat. No. D. 764,031, filed Apr. 10, 2017 and assigned PGR No. PGR2017-00019.
 Petition for Inter Partes Review of U.S. Pat. No. 9,365,292 filed Apr. 13, 2017 and assigned IPR No. IPR2017-01274.
 Petition for Inter Partes Review of U.S. Pat. No. 9,073,641 filed Apr. 13, 2017 and assigned IPR No. IPR2017-01275.
 Petition for Inter Partes Review of U.S. Pat. No. 9,440,742 filed Apr. 13, 2017 and assigned IPR No. IPR2017-01276.
 Declaration of Alan Anderson Under 37 C.F.R. § 1.68, Apr. 12, 2017.
 Declaration of Scott Savian, dated Mar. 20, 2017, including Exhibits A-E thereto.
 Declaration of Vince Huard, dated Mar. 10, 2017, including Exhibits A-I thereto.
 Declaration of Ronald Kemnitzer executed Apr. 10, 2017 and submitted in PGR2017-00019.
 Screen capture from website of Tony Bravetti, available at <<http://www.tonybravetti.com/my-work-edited>>, Apr. Jul. 2017.

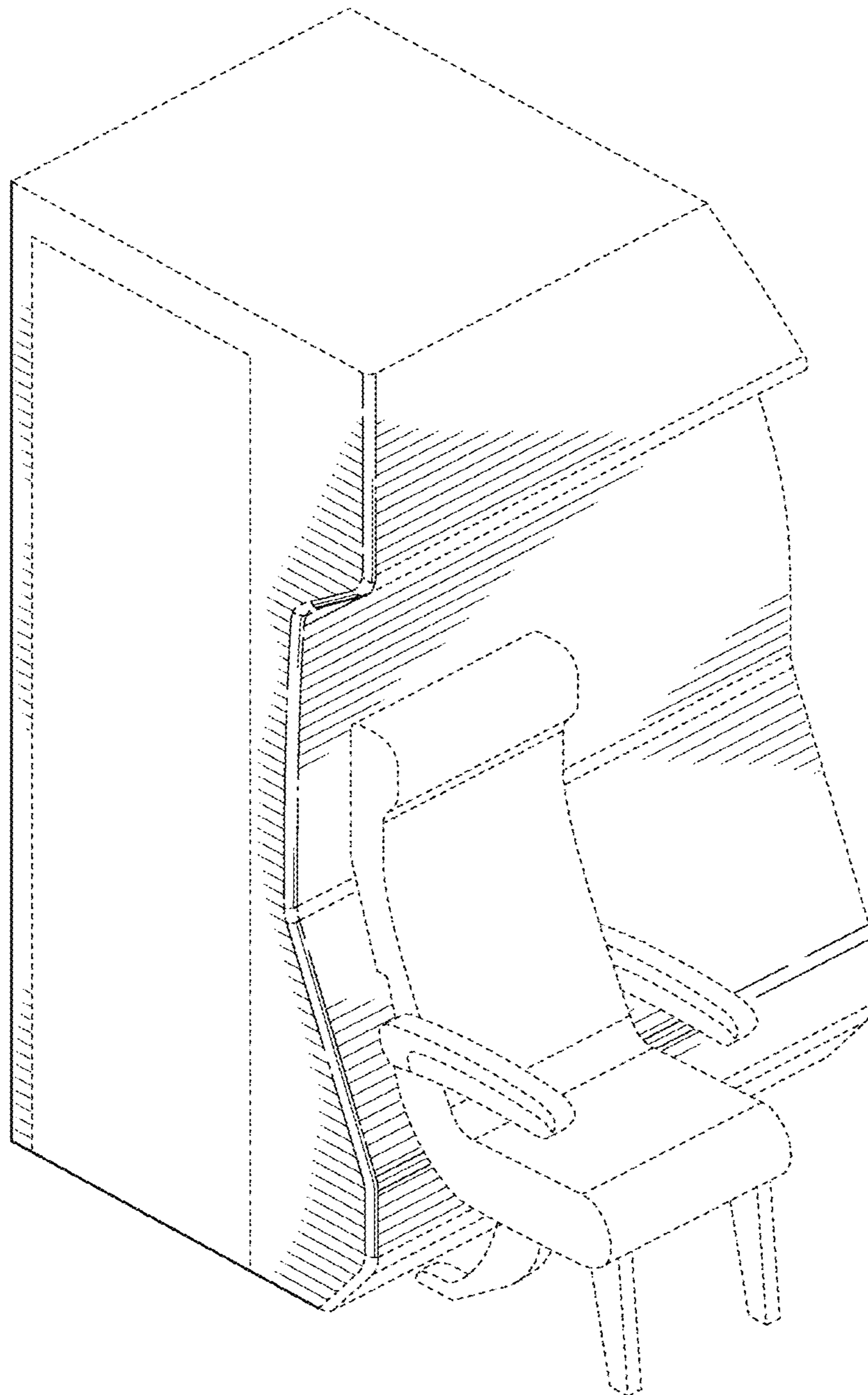


FIG. 1

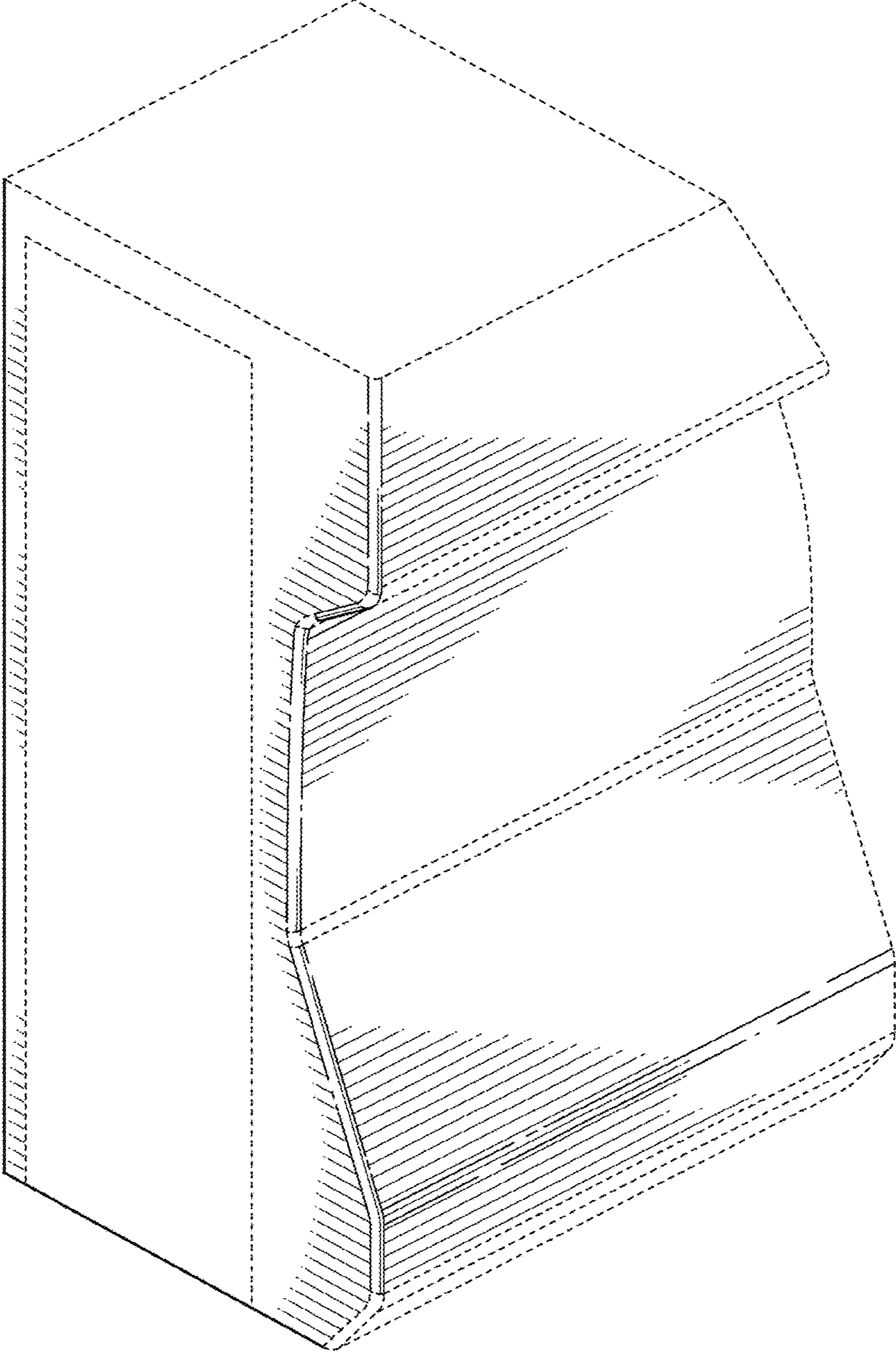


FIG. 2

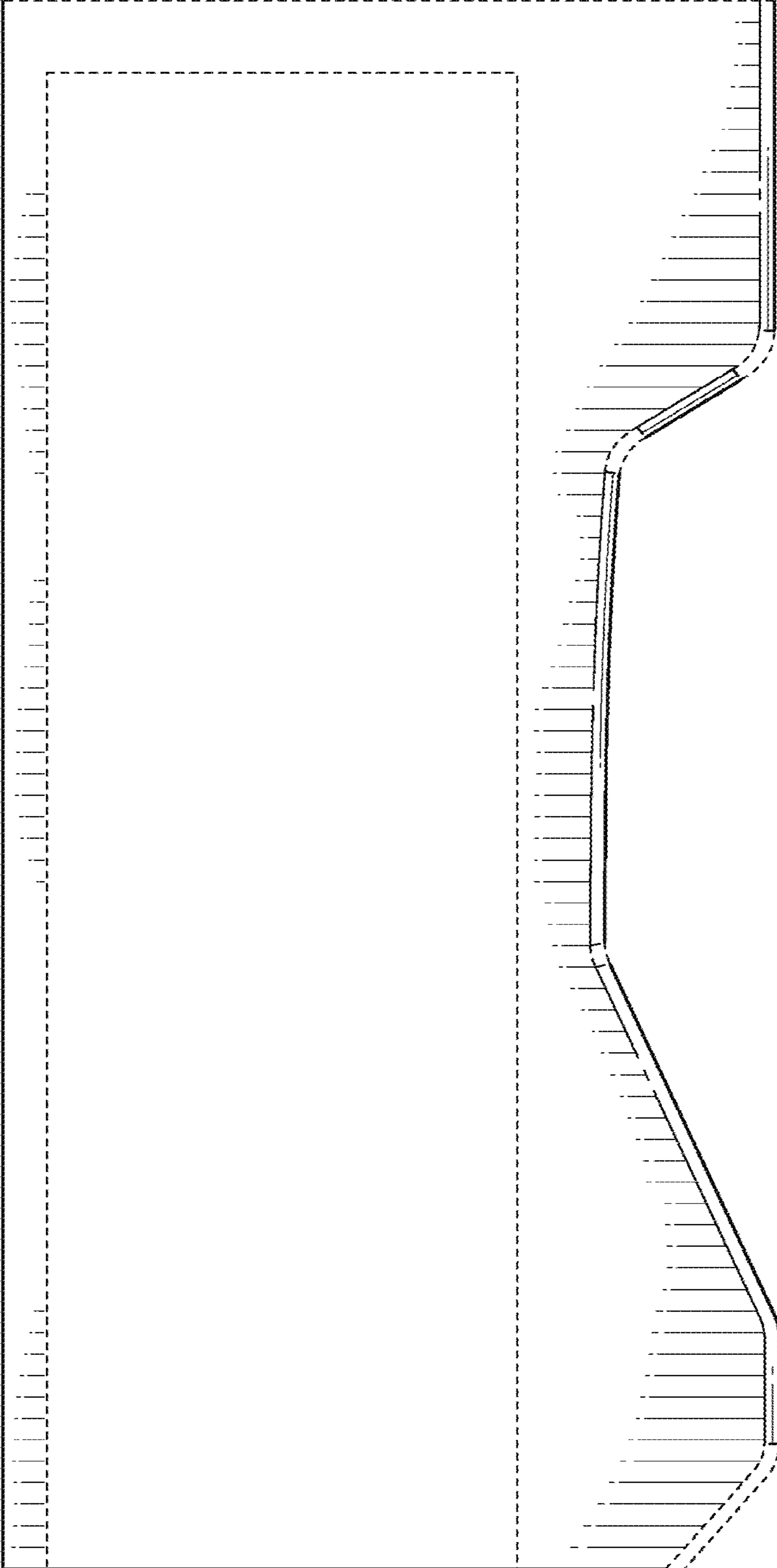


FIG. 3