

US00D796644S

(12) **United States Design Patent** (10) **Patent No.:** **US D796,644 S**
Mirchandani (45) **Date of Patent:** **** Sep. 5, 2017**

(54) **GARDEN HOSE** D671,196 S * 11/2012 Montalvo D23/266
8,479,776 B2 * 7/2013 Berardi F16L 11/00
138/109
(71) Applicant: **TRISTAR PRODUCTS, INC.,** D698,415 S * 1/2014 Wyne D23/213
Fairfield, NJ (US) 8,757,213 B2 * 6/2014 Berardi F16L 11/00
138/109
(72) Inventor: **Keith Mirchandani**, Fairfield, NJ (US) D722,681 S * 2/2015 Berardi D23/266
D723,669 S * 3/2015 Berardi D23/266
(73) Assignee: **TRISTAR PRODUCTS, INC.,** D724,186 S * 3/2015 Berardi D23/266
Fairfield, NJ (US)

(Continued)

(**) Term: **14 Years**

Primary Examiner — Sandra Snapp

(21) Appl. No.: **29/512,988**

(74) Attorney, Agent, or Firm — Adler Pollock & Sheehan P.C.

(22) Filed: **Dec. 24, 2014**

(57) **CLAIM**

(51) **LOC (10) Cl.** **23-01**

The ornamental design for a garden hose, as shown and described.

(52) **U.S. Cl.**

USPC **D23/266**

(58) **Field of Classification Search**

DESCRIPTION

USPC D23/259–263, 266–269, 233; 251/215,
251/216; 285/369, 372, 373, 417, 133.11,
285/133.3, 133.21, 133.4, 133.5, 133.6

CPC F16L 11/00; F16L 37/252; F16L 41/007;
E03C 1/26; E03C 1/262; E03C 1/28;
E03F 5/04; A61B 5/00; A61M 25/09016

See application file for complete search history.

FIG. 1 is a partial perspective view of the garden hose in a retracted position in accordance with the present invention; FIG. 2 is a partial right side view of a section of the garden hose taken along line 2-2 of FIG. 1 with the garden hose being in a partial extended position, it being understood that the left side view is a mirror image therefrom; and, FIG. 3 is a partial right side view of a section of the garden hose taken along line 3-3 of FIG. 1 with the garden hose stretched taut, it being understood that the left side view is a mirror image therefrom.

(56) **References Cited**

U.S. PATENT DOCUMENTS

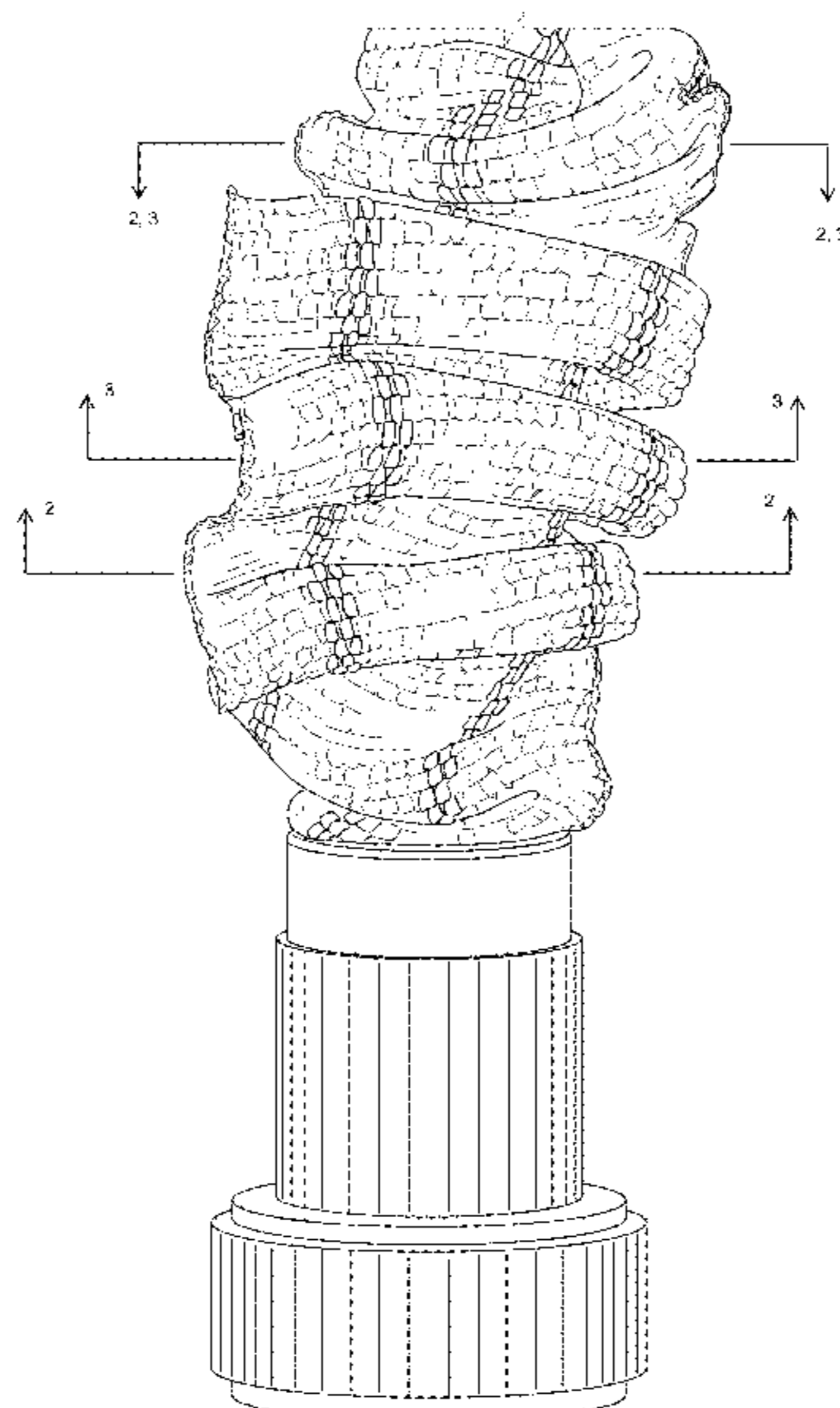
D235,010 S * 4/1975 Maroschak D12/182
D235,100 S * 5/1975 Maroschak D23/266
D235,102 S * 5/1975 Maroschak D23/266
D235,103 S * 5/1975 Maroschak D23/266
D235,104 S * 5/1975 Maroschak D23/266
D479,741 S * 9/2003 Chiu D23/266
D514,670 S * 2/2006 Handley D23/267
D586,435 S * 2/2009 Reckseen D23/266
8,291,941 B1 * 10/2012 Berardi F16L 11/20
138/109
8,291,942 B2 * 10/2012 Berardi F16L 11/12
138/118

The boxed pattern of lines in the drawings represent material that is understood to be distributed uniformly over the surface of the garden hose.

The section lines and numbering shown on FIG. 1 indicate the locations of partial sections from which FIGS. 2 and 3 are taken and form no part of the claimed design.

The elements of the garden hose depicted in the various figures are boundary lines and form no part of the claimed invention.

1 Claim, 3 Drawing Sheets



(56)

References Cited

U.S. PATENT DOCUMENTS

D731,032	S *	6/2015	Yang	D23/266
D731,033	S *	6/2015	Kury	D23/266
D733,269	S *	6/2015	Aramli	D23/266
2010/0071795	A1 *	3/2010	Montalvo	F16L 11/112 138/126
2011/0303317	A1 *	12/2011	Montalvo	F16L 11/082 138/129
2012/0234425	A1 *	9/2012	Berardi	F16L 11/12 138/137
2013/0087205	A1 *	4/2013	Berardi	F16L 11/00 137/1
2013/0213514	A1 *	8/2013	Berardi	F16L 11/00 138/109
2014/0130930	A1 *	5/2014	Ragner	F16L 11/118 138/121

* cited by examiner

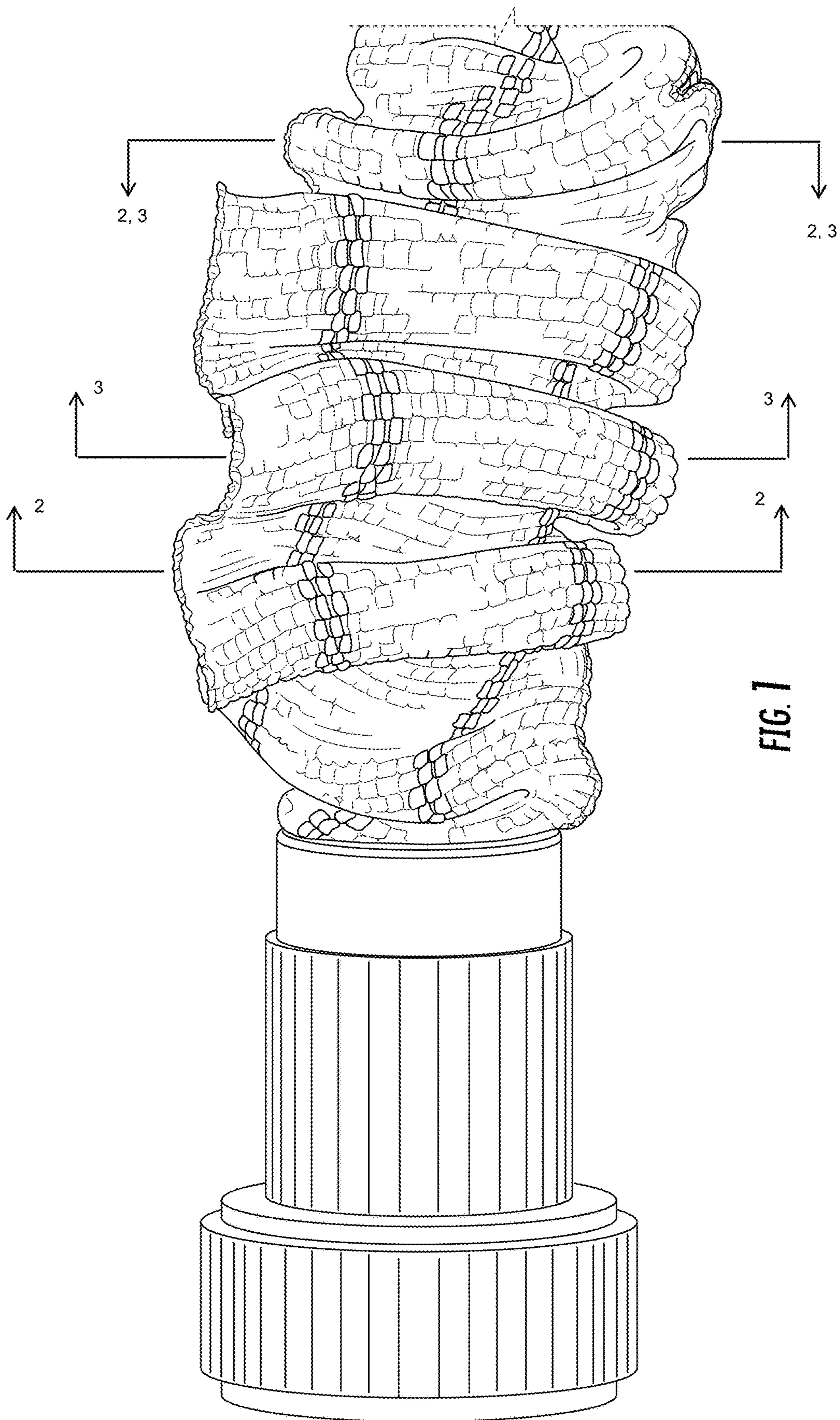


FIG. 1

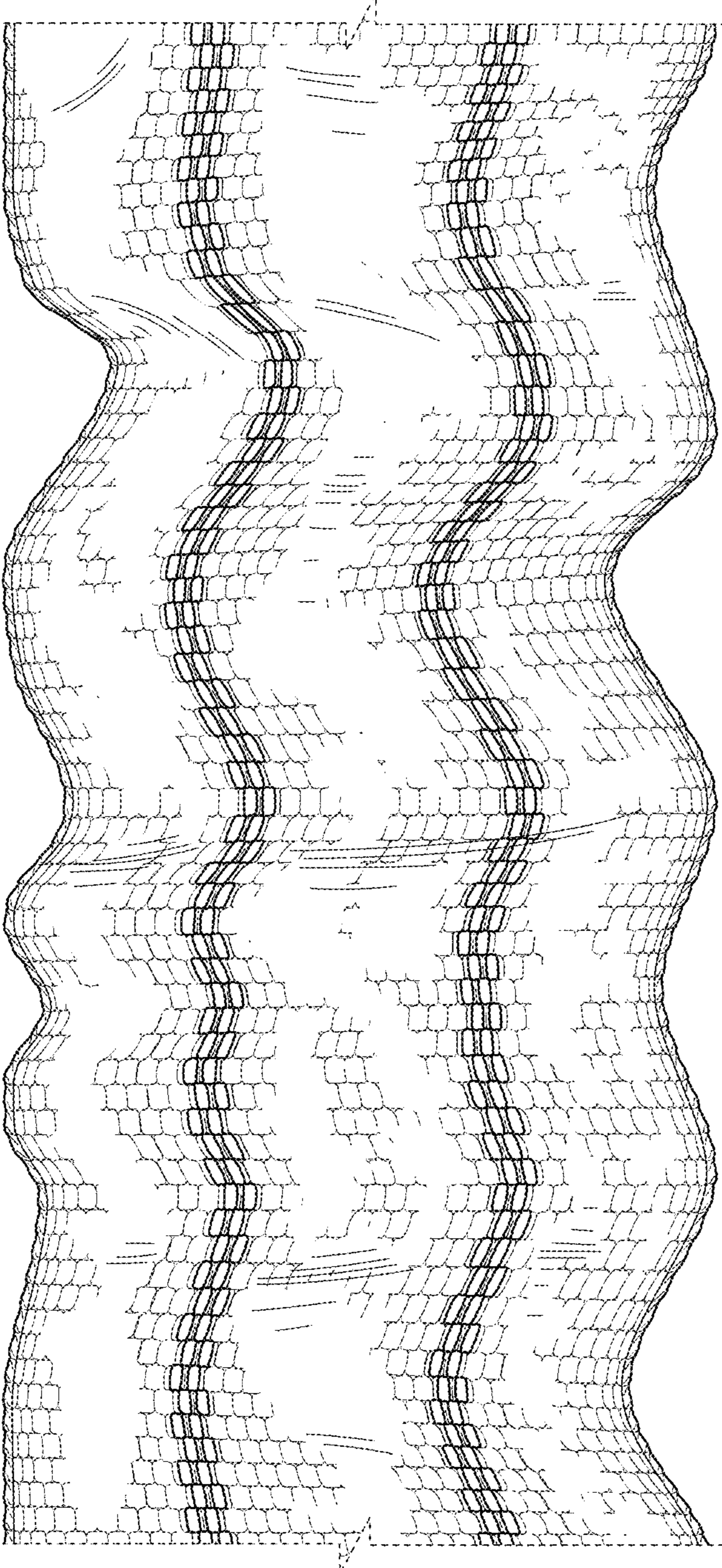


FIG. 2

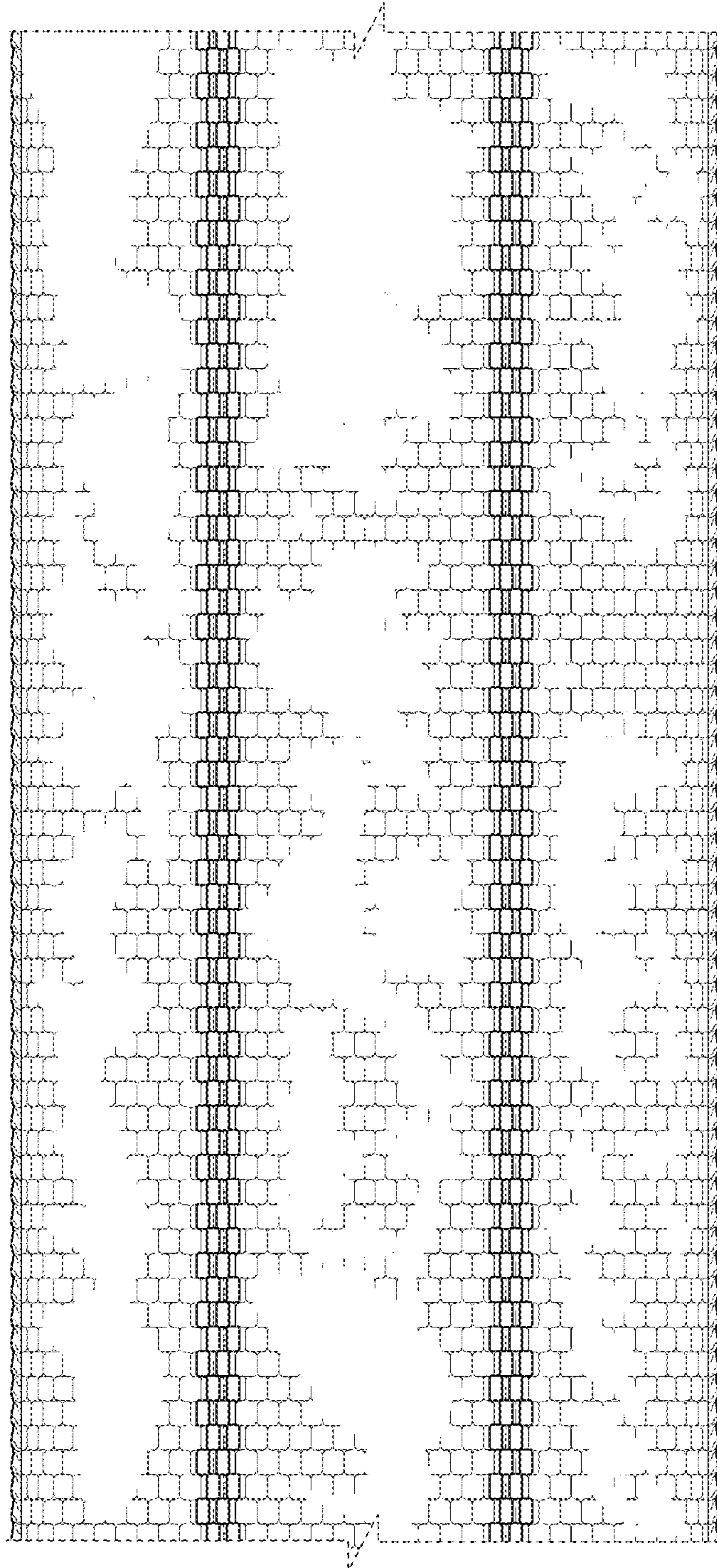


FIG. 3