



US00D796642S

(12) **United States Design Patent** (10) **Patent No.:** **US D796,642 S**
Andrew (45) **Date of Patent:** **** Sep. 5, 2017**

(54) **FAUCET HANDLE**

(56) **References Cited**

(71) Applicant: **DELTA FAUCET COMPANY,**
Indianapolis, IN (US)

U.S. PATENT DOCUMENTS

(72) Inventor: **Mercedita Andrew,** Indianapolis, IN
(US)

D466,988 S * 12/2002 Marshall D23/250
D524,918 S * 7/2006 Barry D23/249
D676,939 S * 2/2013 Kwok D23/253
D767,729 S * 9/2016 Hong D23/252
D770,019 S * 10/2016 Rexach D23/253

(73) Assignee: **DELTA FAUCET COMPANY,**
Indianapolis, IN (US)

* cited by examiner

(**) Term: **15 Years**

Primary Examiner — Robert Delehanty

(21) Appl. No.: **29/555,536**

(74) *Attorney, Agent, or Firm* — Edgar A. Zarins; Nirav
D. Parikh

(22) Filed: **Feb. 23, 2016**

(57) **CLAIM**

The ornamental design for a faucet handle, as shown and
described.

(51) **LOC (10) Cl.** **23-01**

DESCRIPTION

(52) **U.S. Cl.**

USPC **D23/253**

(58) **Field of Classification Search**

USPC D23/238–243, 250, 252, 254, 253, 245;
D8/300, 307–308, 310

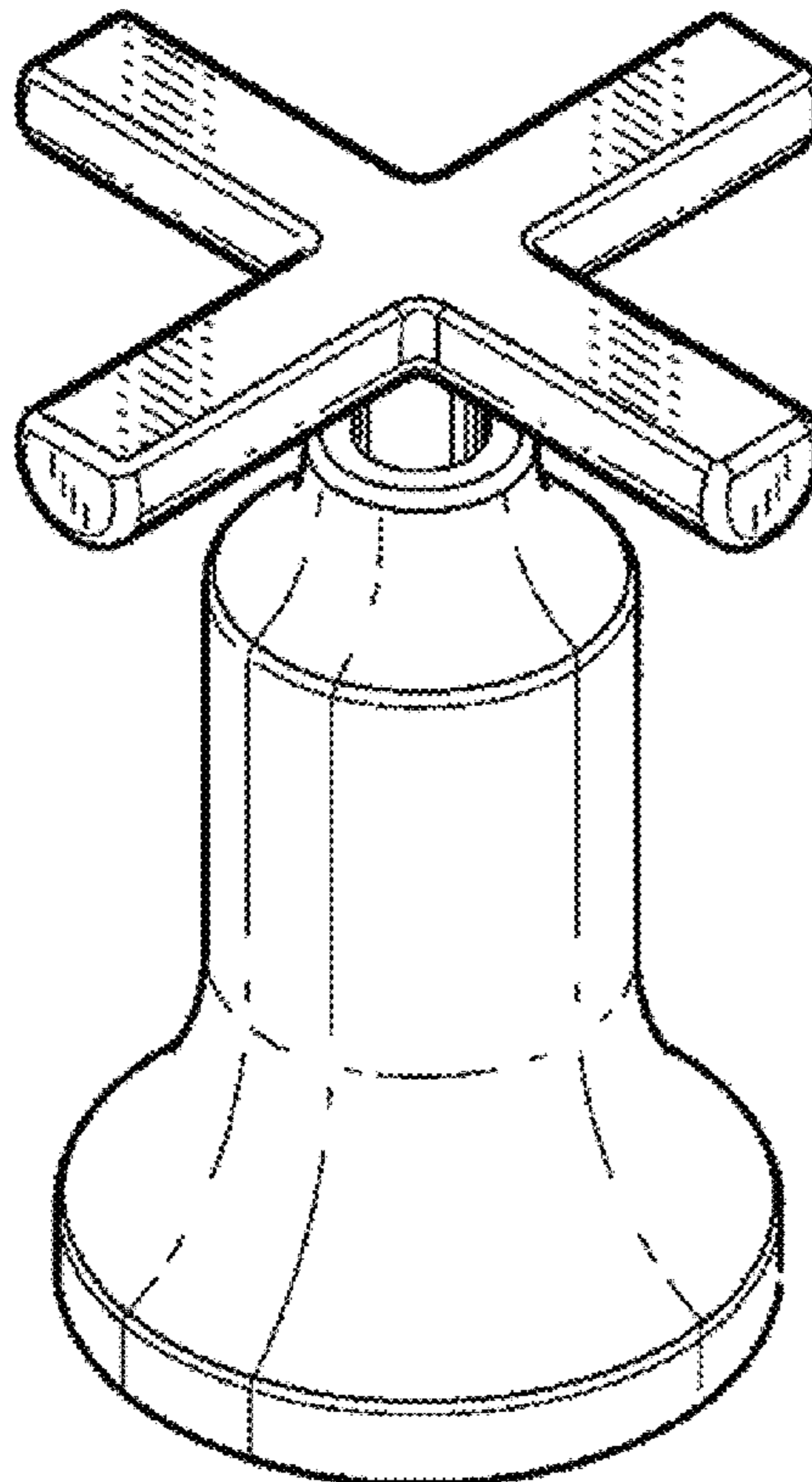
CPC . E03C 1/00; E03C 1/04; E03C 1/0401; E03C
1/0402; E03C 1/0404; E03C 1/02; E03C
1/021; E03C 1/0403; F16K 27/06; F16K
27/067; F16K 27/0657

FIG. 1 is a perspective view of a faucet handle showing my
new design;
FIG. 2 is a top plan view thereof;
FIG. 3 is a side view thereof; and,
FIG. 4 is a bottom view thereof.

The broken line shown in FIG. 4 of the drawings is included
for the purpose of illustrating a portion of the faucet that
forms no part of the claimed design.

See application file for complete search history.

1 Claim, 1 Drawing Sheet



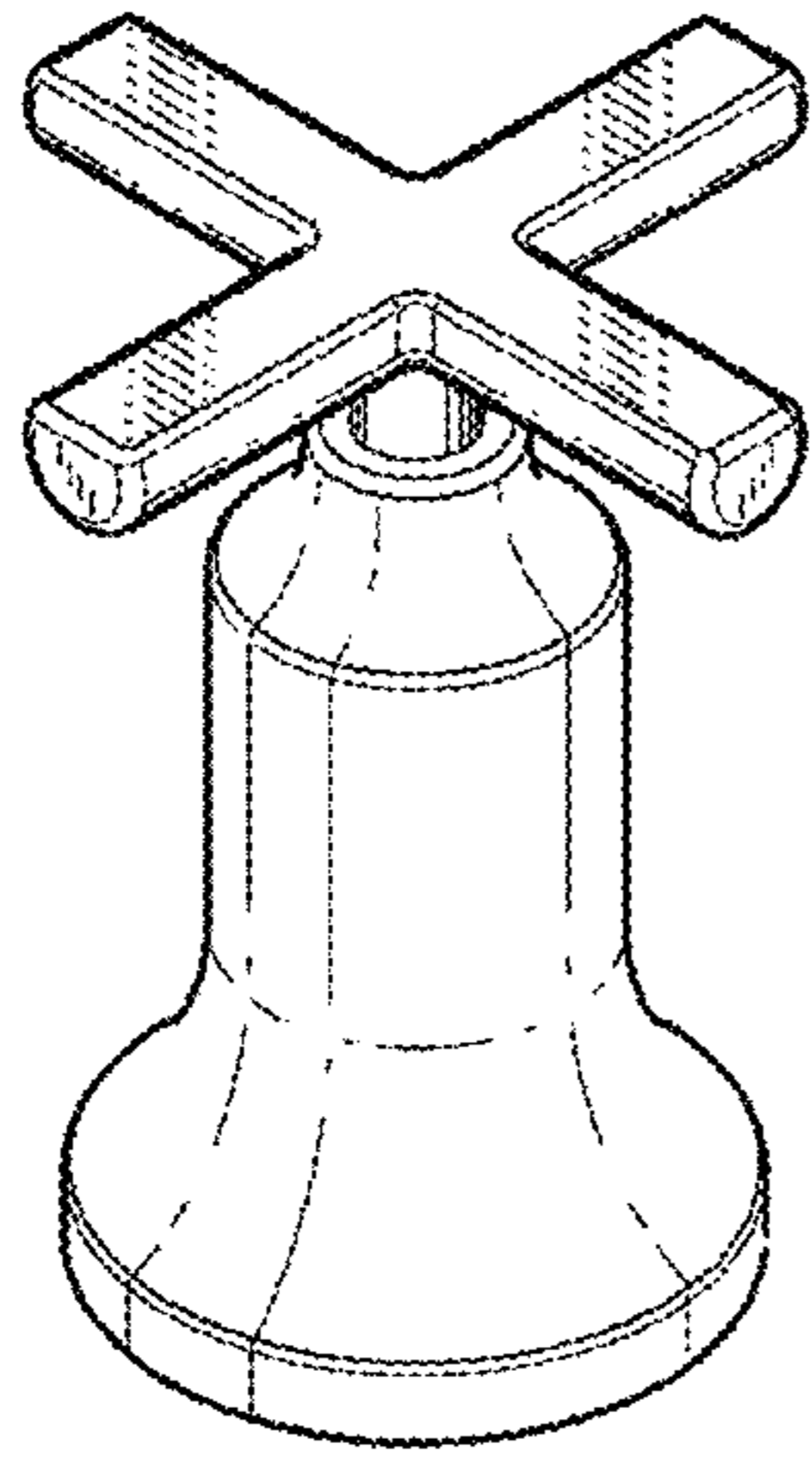


Fig-1

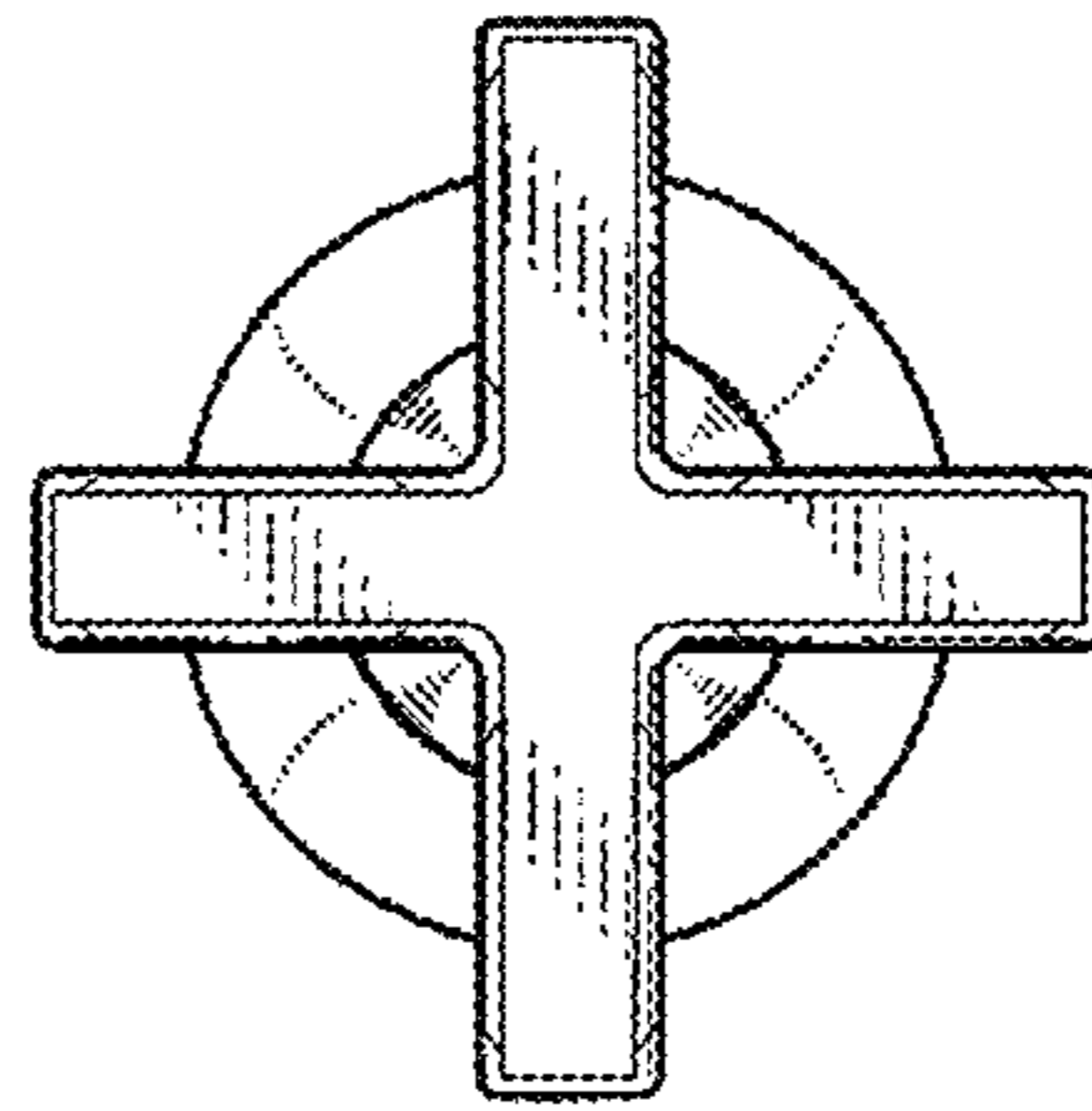


Fig-2

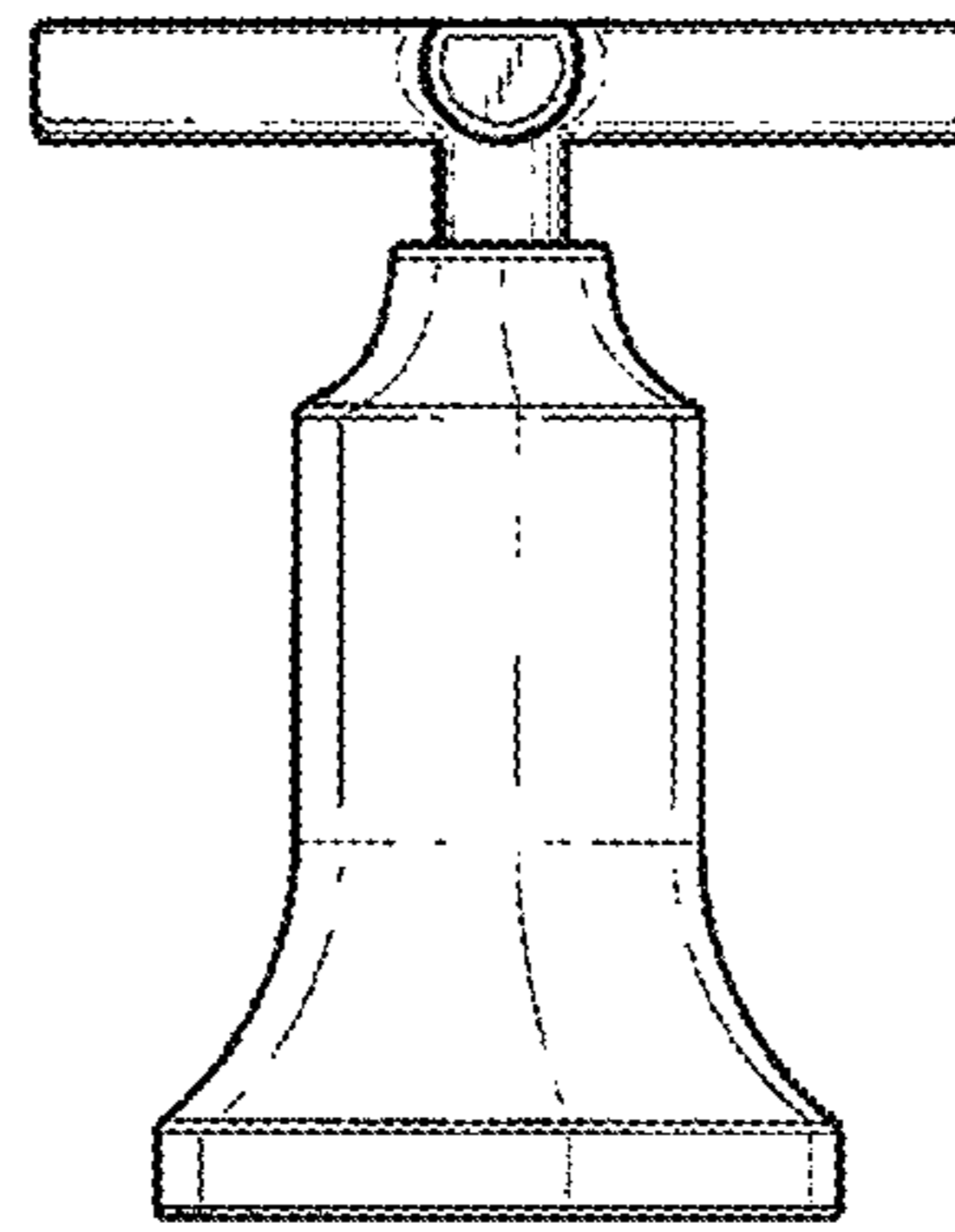


Fig-3

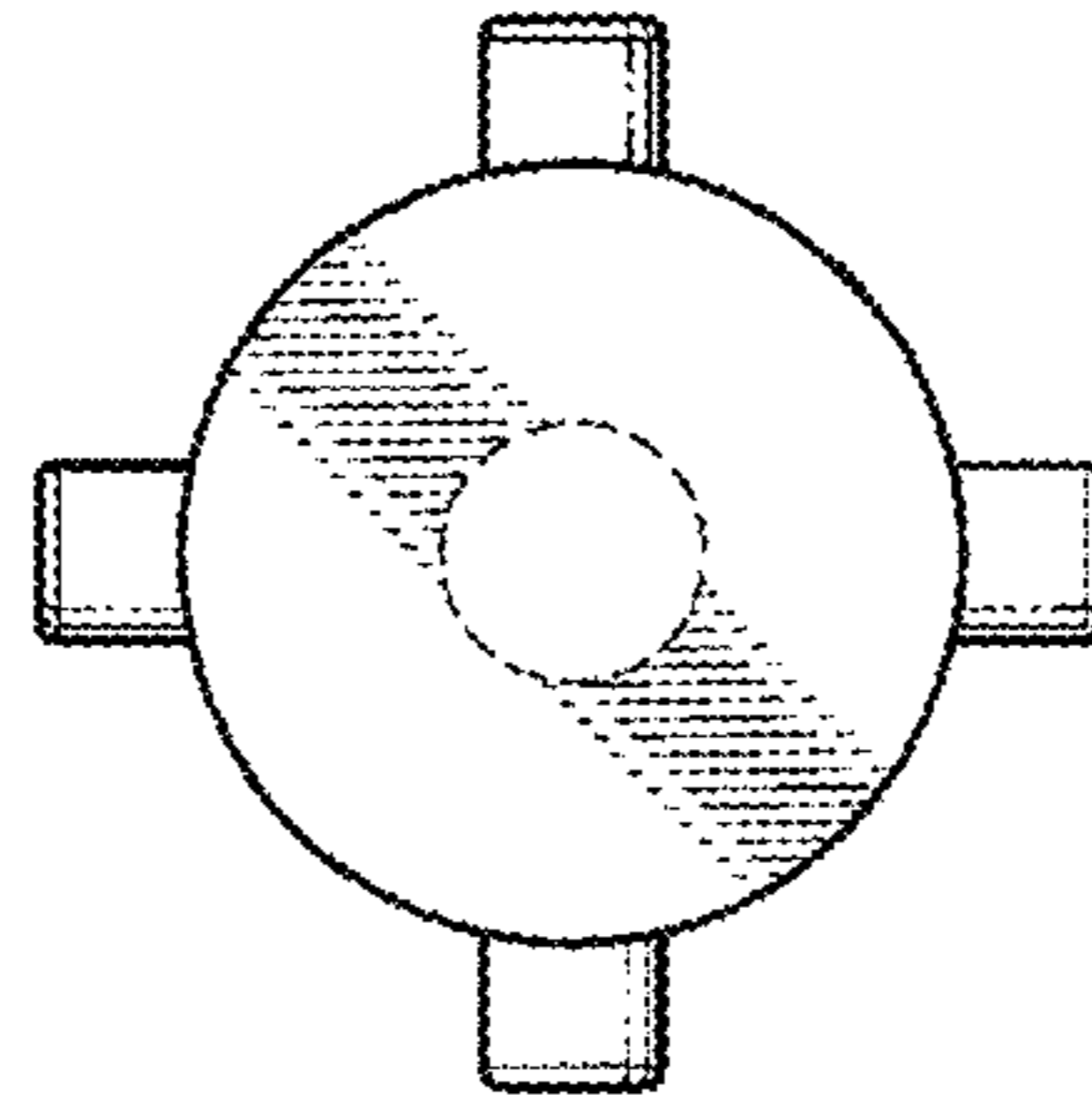


Fig-4