



US00D796641S

(12) **United States Design Patent** (10) **Patent No.:** **US D796,641 S**
Liao (45) **Date of Patent:** **** Sep. 5, 2017**

(54) **FAUCET HANDLE**

D666,699 S * 9/2012 Liao D23/252
D676,938 S * 2/2013 Kwok D23/252
D682,992 S * 5/2013 Obara D23/242

(71) Applicant: **DELTA FAUCET COMPANY,**
Indianapolis, IN (US)

* cited by examiner

(72) Inventor: **Vincent Liao,** Guangdong (CN)

Primary Examiner — Robert Delehanty

(73) Assignee: **DELTA FAUCET COMPANY,**
Indianapolis, IN (US)

(74) *Attorney, Agent, or Firm* — Edgar A. Zarins; Nirav D. Parikh

(**) Term: **15 Years**

(21) Appl. No.: **29/555,179**

(57) **CLAIM**

(22) Filed: **Feb. 19, 2016**

The ornamental design for a faucet handle, as shown and described.

(51) **LOC (10) Cl.** **23-01**

(52) **U.S. Cl.**
USPC **D23/252**

(58) **Field of Classification Search**
USPC D23/238–243, 250, 252, 254, 245;
D8/300, 307–308, 310
CPC . E03C 1/00; E03C 1/04; E03C 1/0401; E03C
1/0402; E03C 1/0404; E03C 1/02; E03C
1/021; E03C 1/0403; F16K 27/06; F16K
27/067; F16K 27/0657

DESCRIPTION

See application file for complete search history.

FIG. 1 is a perspective view of a faucet handle showing my new design;
FIG. 2 is a top plan view thereof;
FIG. 3 is an end view thereof;
FIG. 4 is a first side view thereof, the opposite side being a mirror image of the side shown; and,
FIG. 5 is a bottom view thereof.

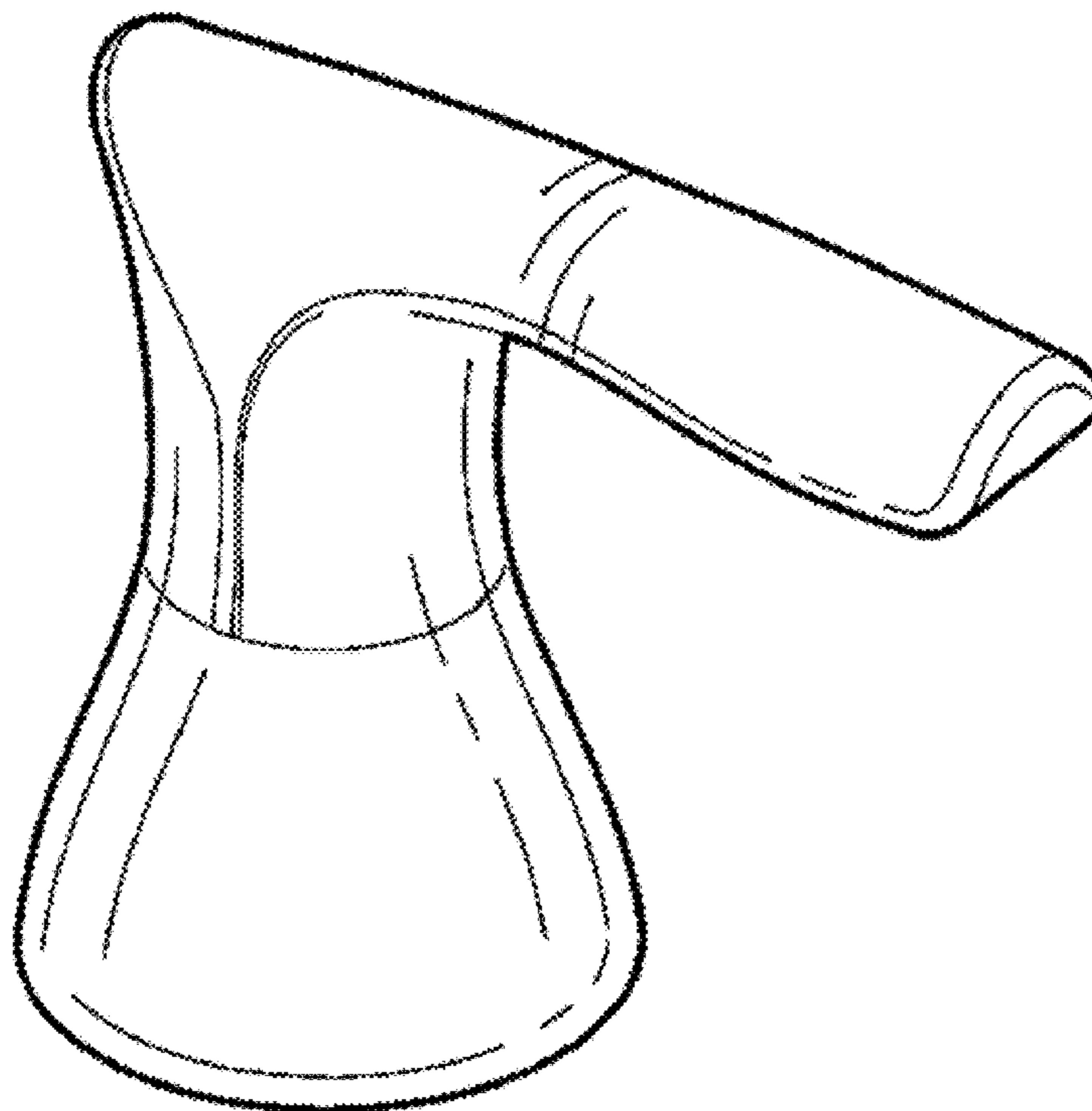
The broken lines shown in the drawing views are included for the purpose of illustrating a portion of the faucet that forms no part of the claimed design.

(56) **References Cited**

U.S. PATENT DOCUMENTS

D496,434 S * 9/2004 Spangler D23/252
D644,303 S * 8/2011 Slothower D23/252

1 Claim, 1 Drawing Sheet



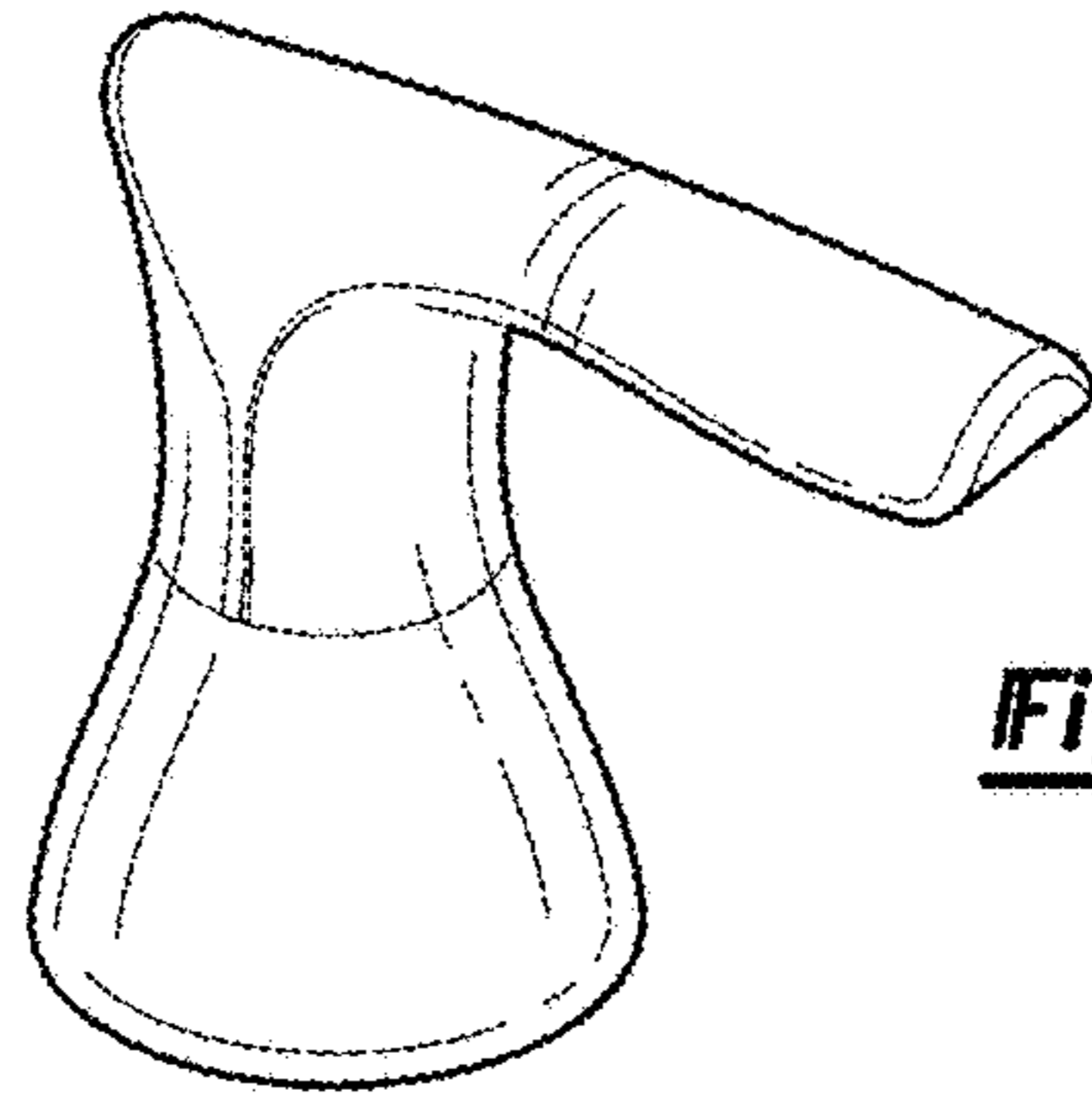


Fig-1

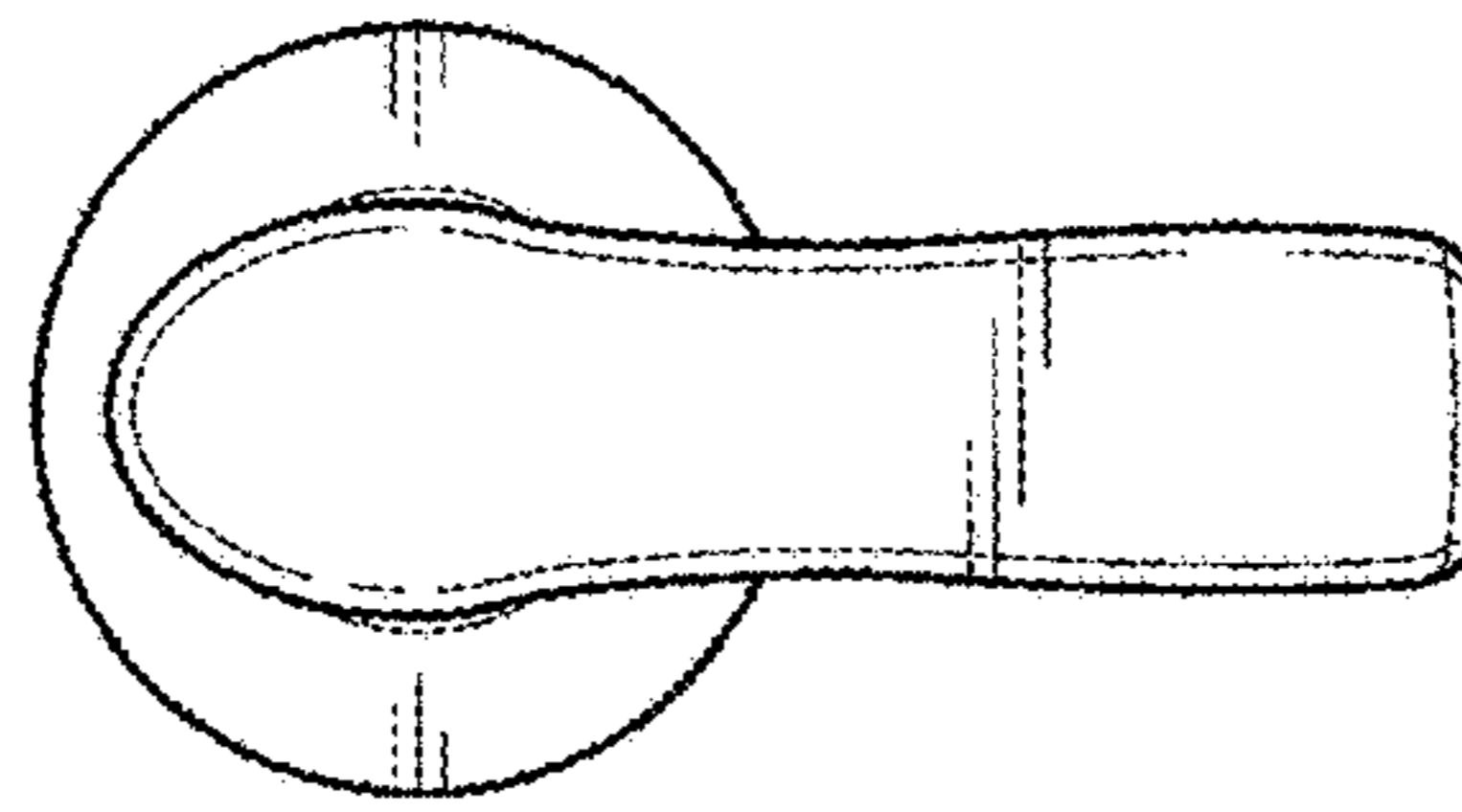


Fig-2

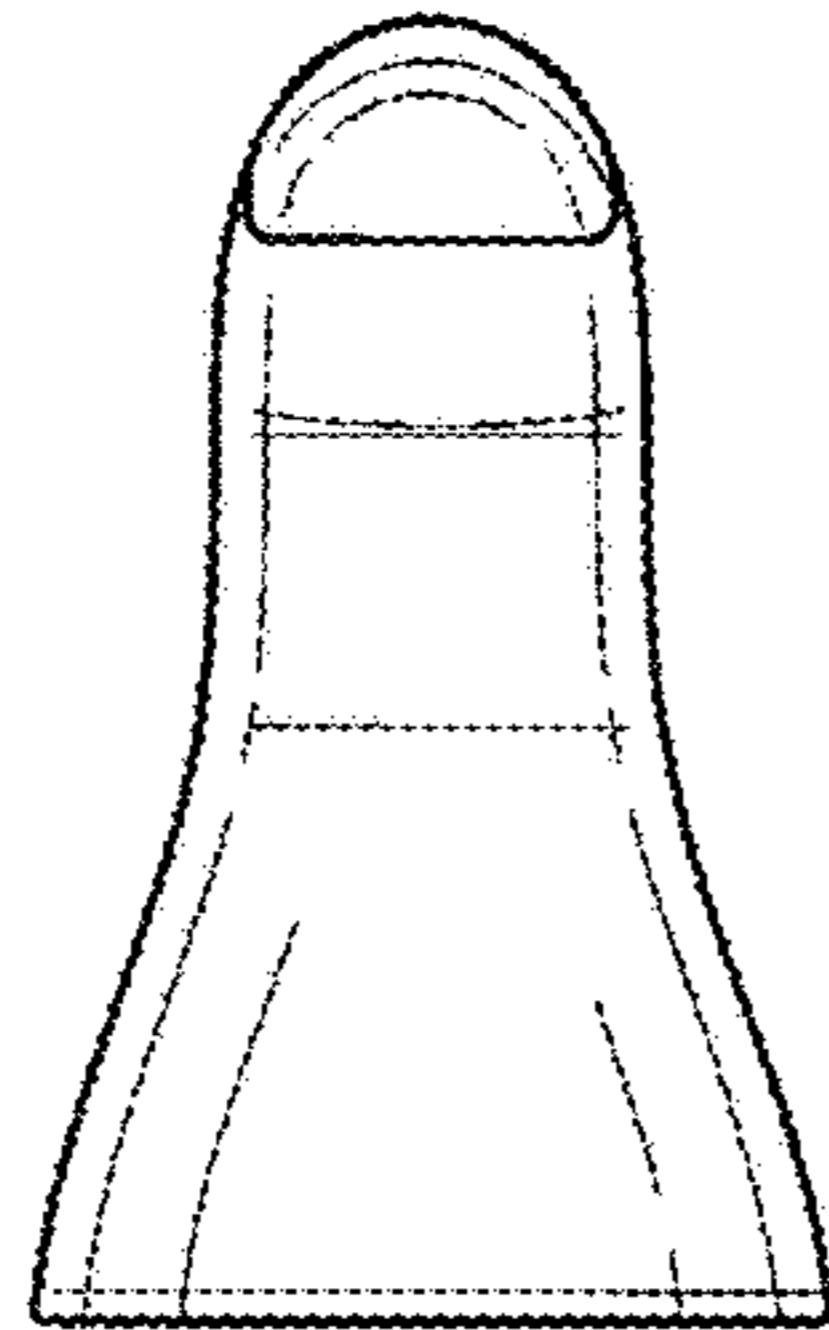


Fig-3

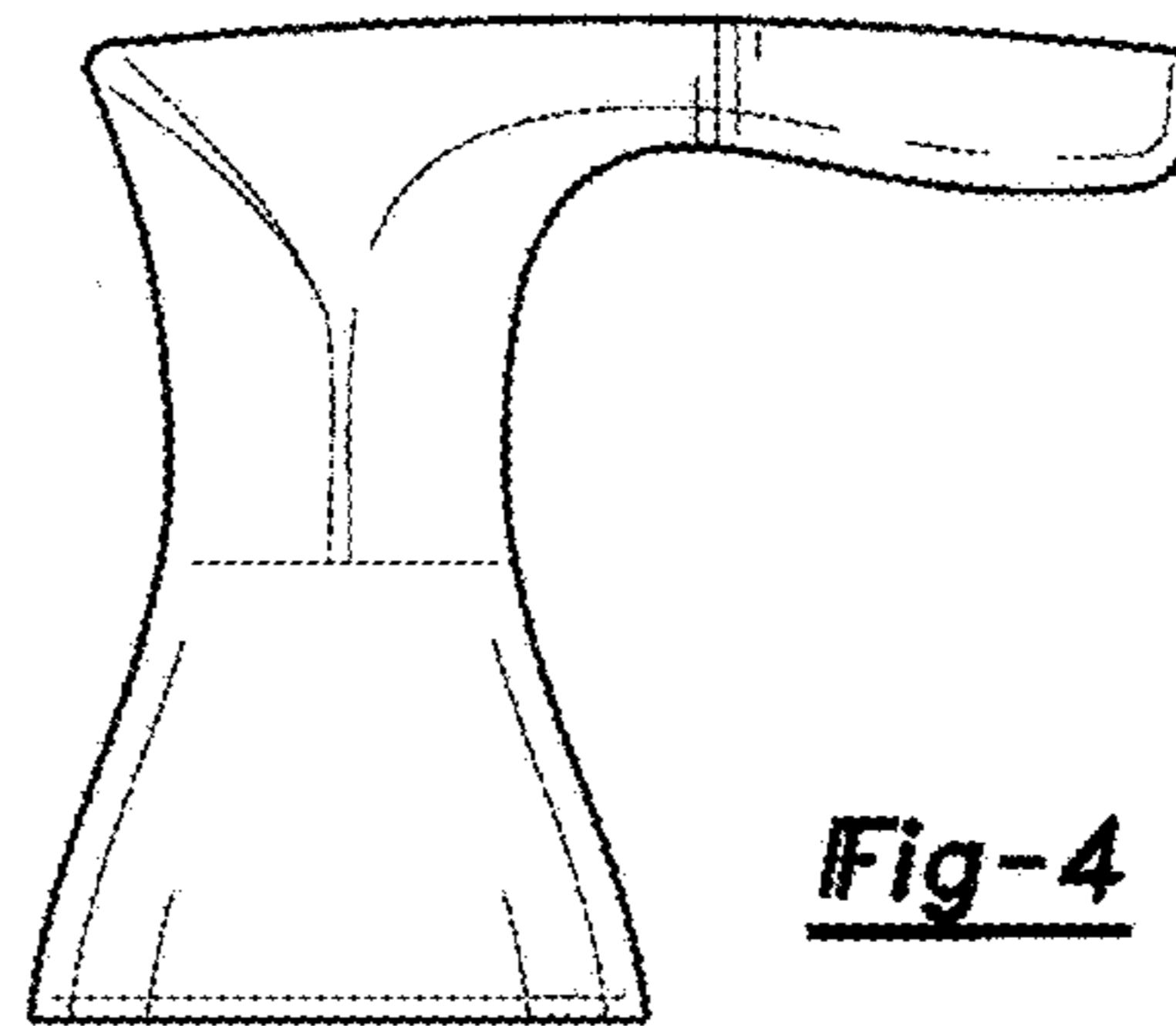


Fig-4

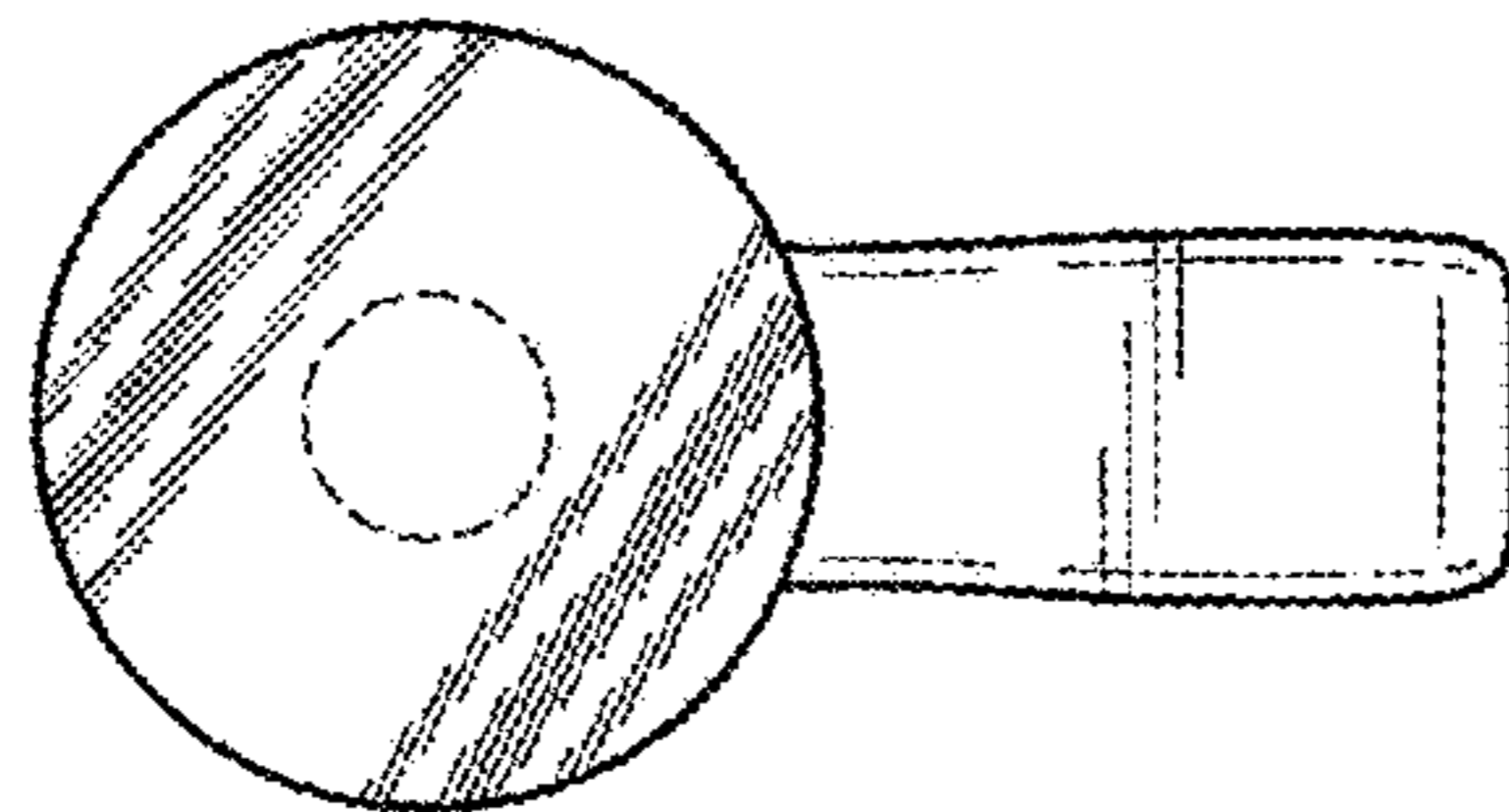


Fig-5