



US00D796640S

(12) **United States Design Patent** (10) **Patent No.:** **US D796,640 S**
Dube (45) **Date of Patent:** **** Sep. 5, 2017**

(54) **FAUCET HANDLE**

(71) Applicant: **DELTA FAUCET COMPANY,**
Indianapolis, IN (US)

(72) Inventor: **Marie-Catherine Dube,**
Dollards-des-Ormeaux (CA)

(73) Assignee: **DELTA FAUCET COMPANY,**
Indianapolis, IN (US)

(**) Term: **15 Years**

(21) Appl. No.: **29/551,282**

(22) Filed: **Jan. 12, 2016**

(51) **LOC (10) Cl.** **23-01**

(52) **U.S. Cl.**
USPC **D23/252**

(58) **Field of Classification Search**
USPC D23/238-243, 250, 252, 254, 245;
D8/300, 307-308, 310
CPC . E03C 1/00; E03C 1/04; E03C 1/0401; E03C
1/0402; E03C 1/0404; E03C 1/02; E03C
1/021; E03C 1/0403; F16K 27/06; F16K
27/067; F16K 27/0657

See application file for complete search history.

(56) **References Cited**

U.S. PATENT DOCUMENTS

D496,434 S * 9/2004 Spangler D23/252
D512,767 S * 12/2005 Ouyoung D23/252
D516,675 S * 3/2006 Kakihana D23/241

* cited by examiner

Primary Examiner — Robert Delehanty

(74) *Attorney, Agent, or Firm* — Edgar A. Zarins; Nirav
D. Parikh

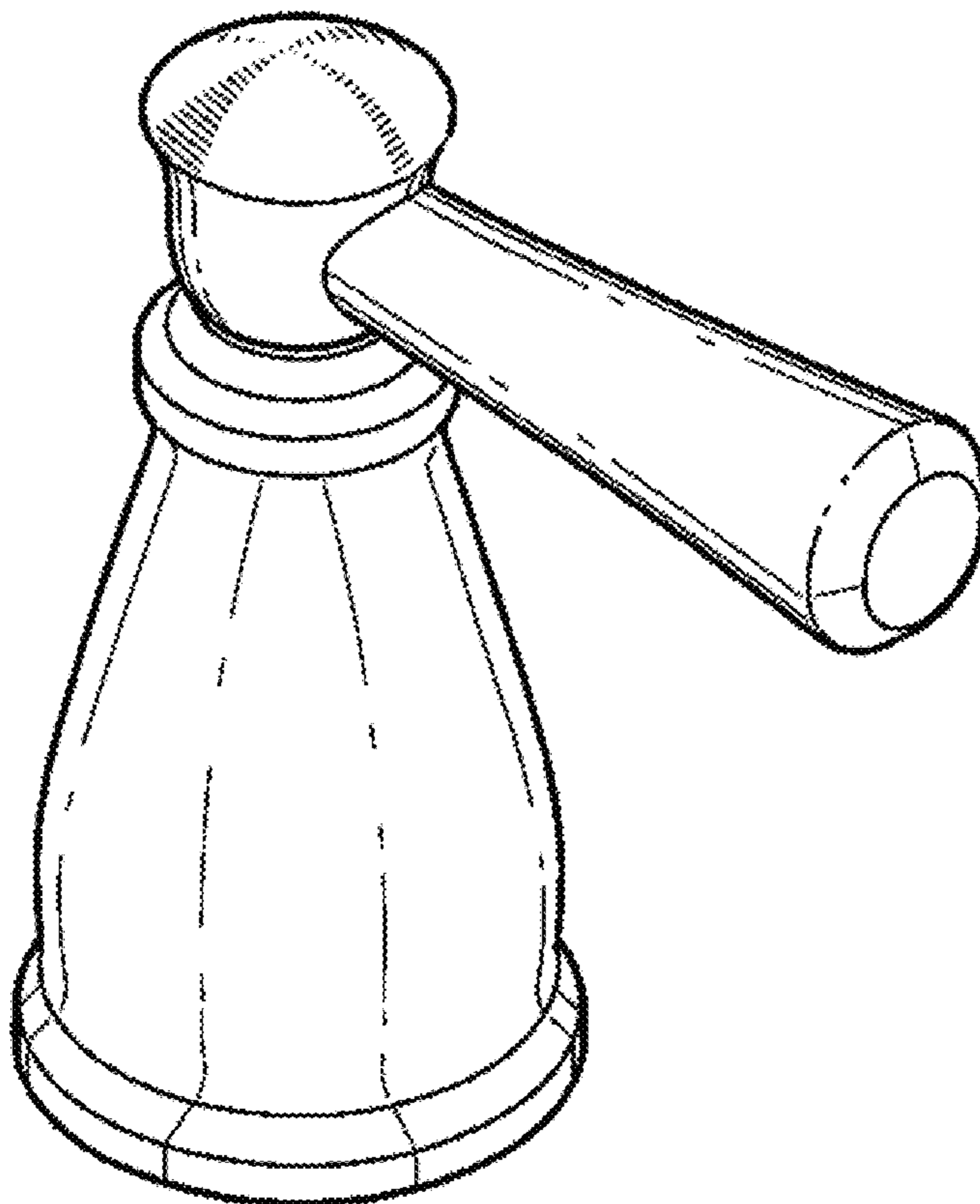
(57) **CLAIM**

The ornamental design for a faucet handle, as shown and
described.

DESCRIPTION

FIG. 1 is a perspective view of a faucet handle showing my
new design;
FIG. 2 is a first side view thereof;
FIG. 3 is a second side view thereof;
FIG. 4 is a third side view thereof, the opposite side being
a mirror image of the side shown;
FIG. 5 is a top plan view thereof; and,
FIG. 6 is a bottom view thereof.
The broken line shown in FIG. 6 of the drawings is included
for the purpose of illustrating a portion of the faucet that
forms no part of the claimed design.

1 Claim, 2 Drawing Sheets



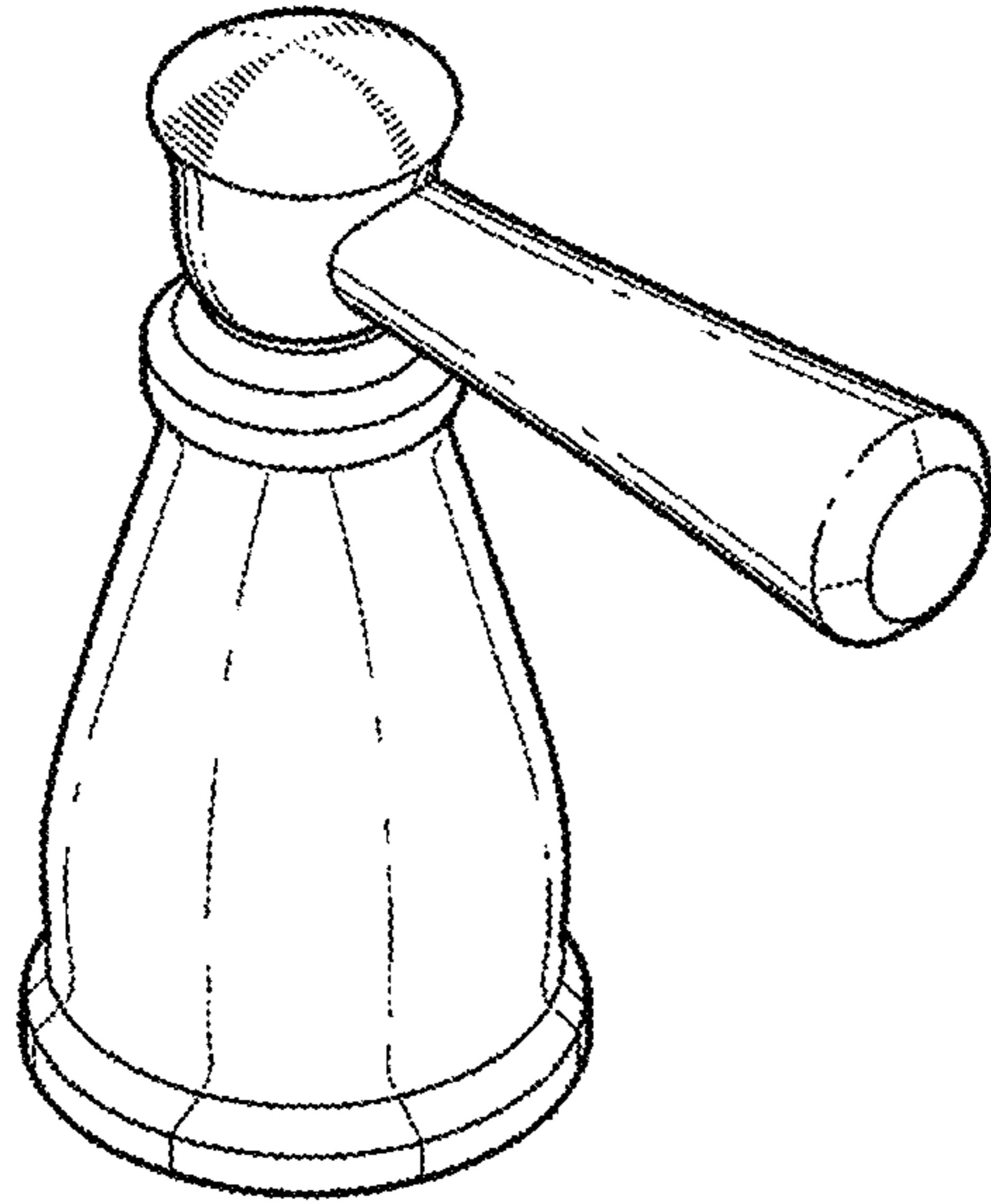


Fig-1

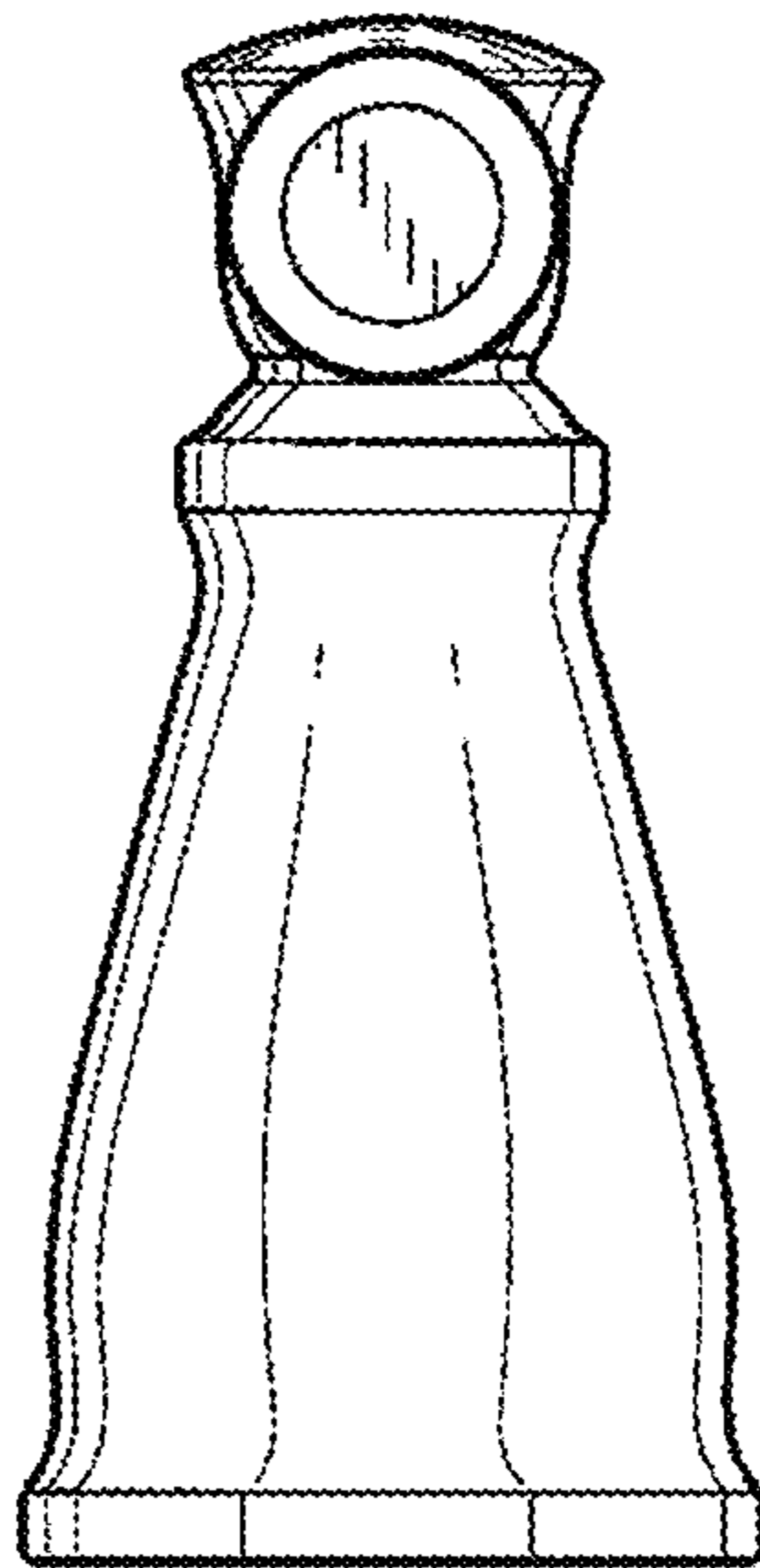


Fig-2

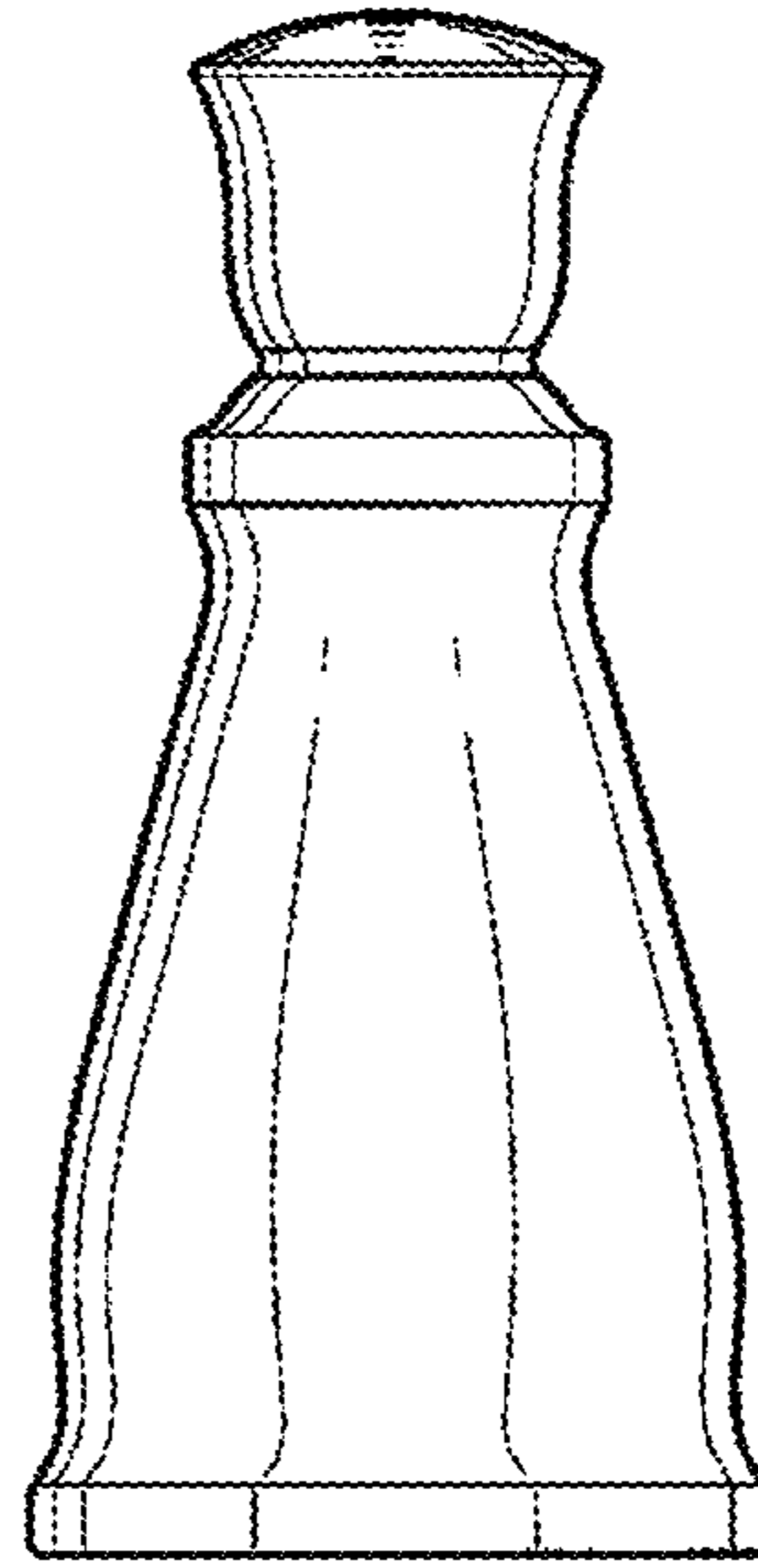


Fig-3

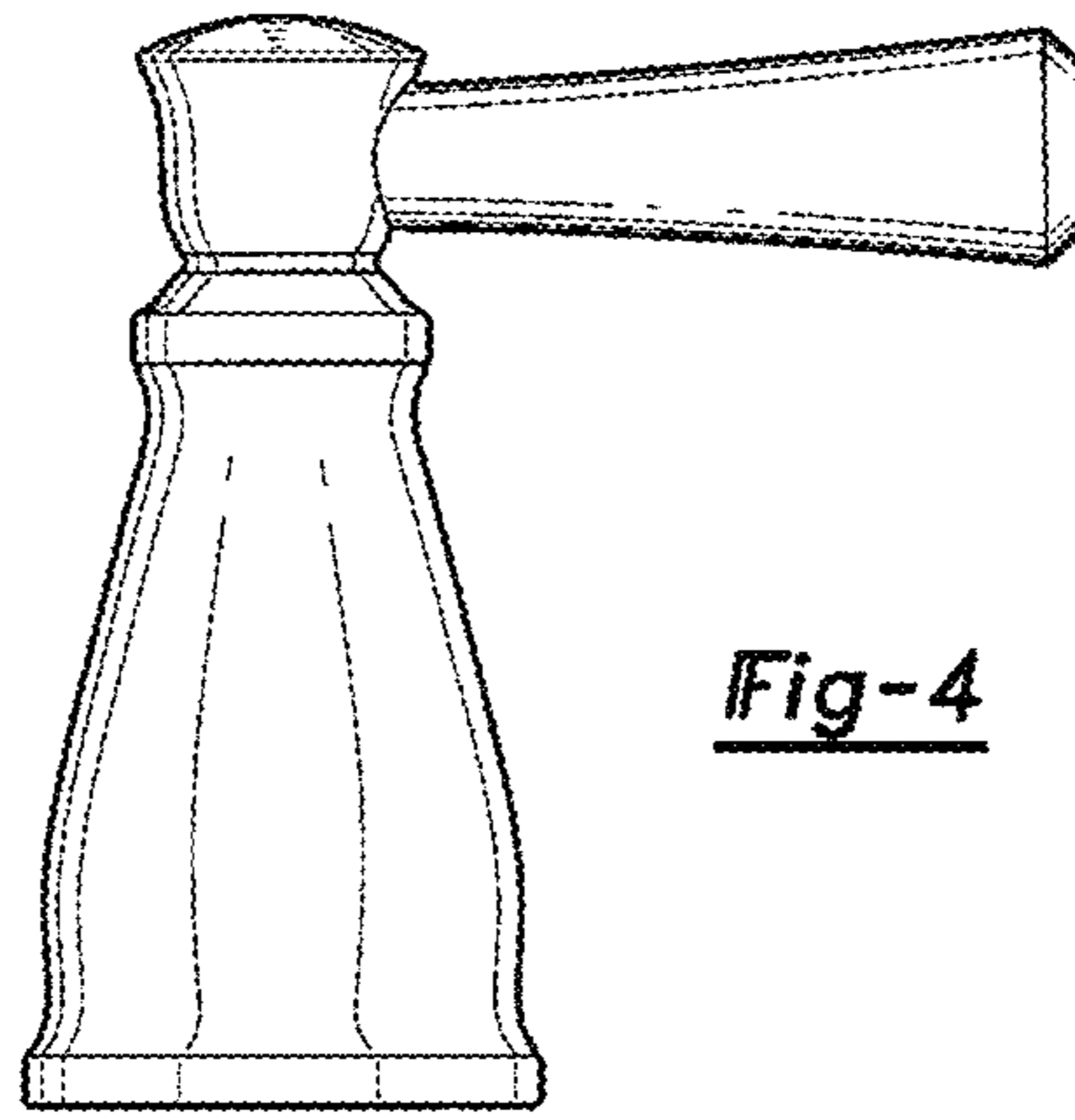


Fig-4

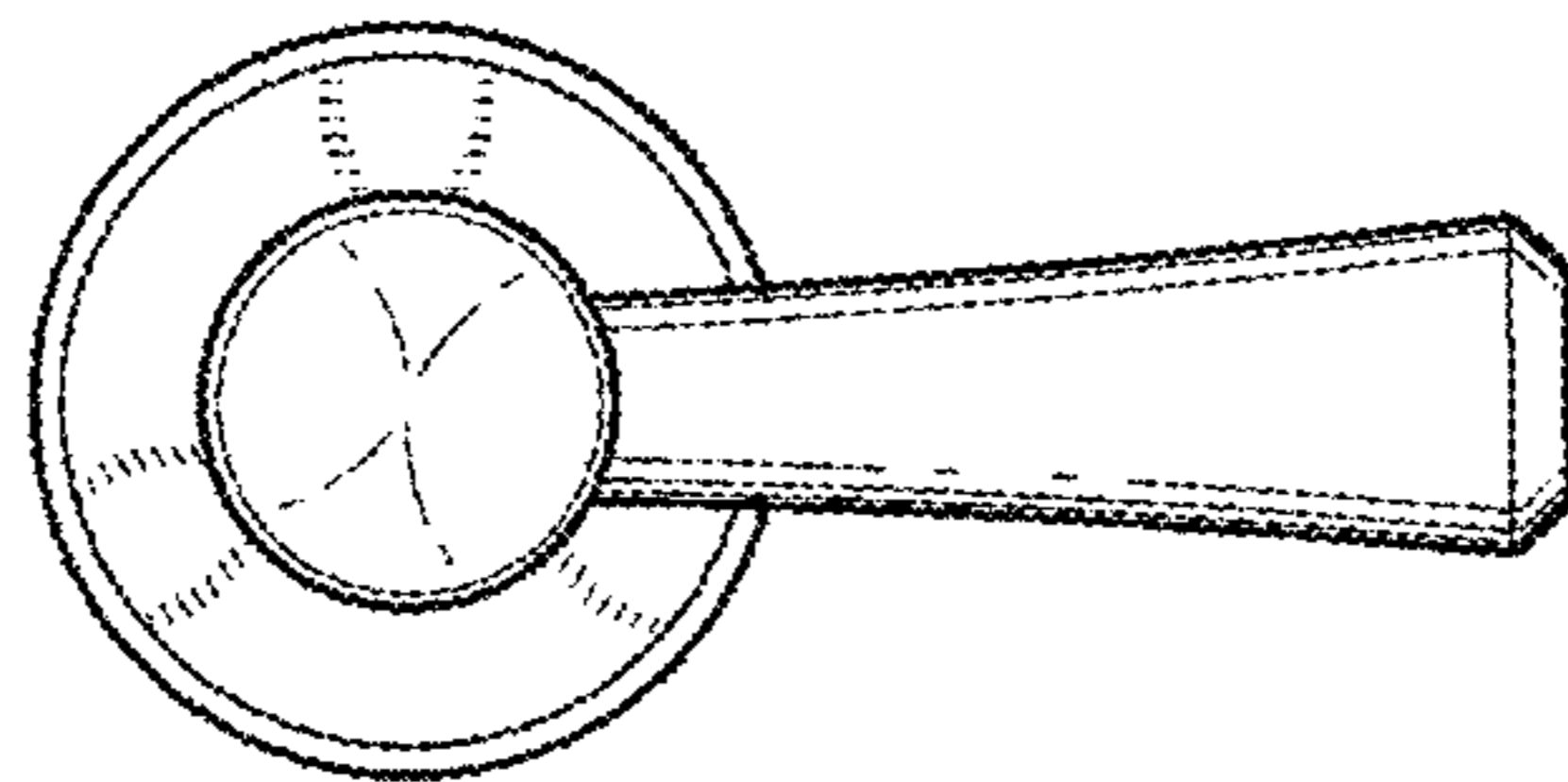


Fig-5

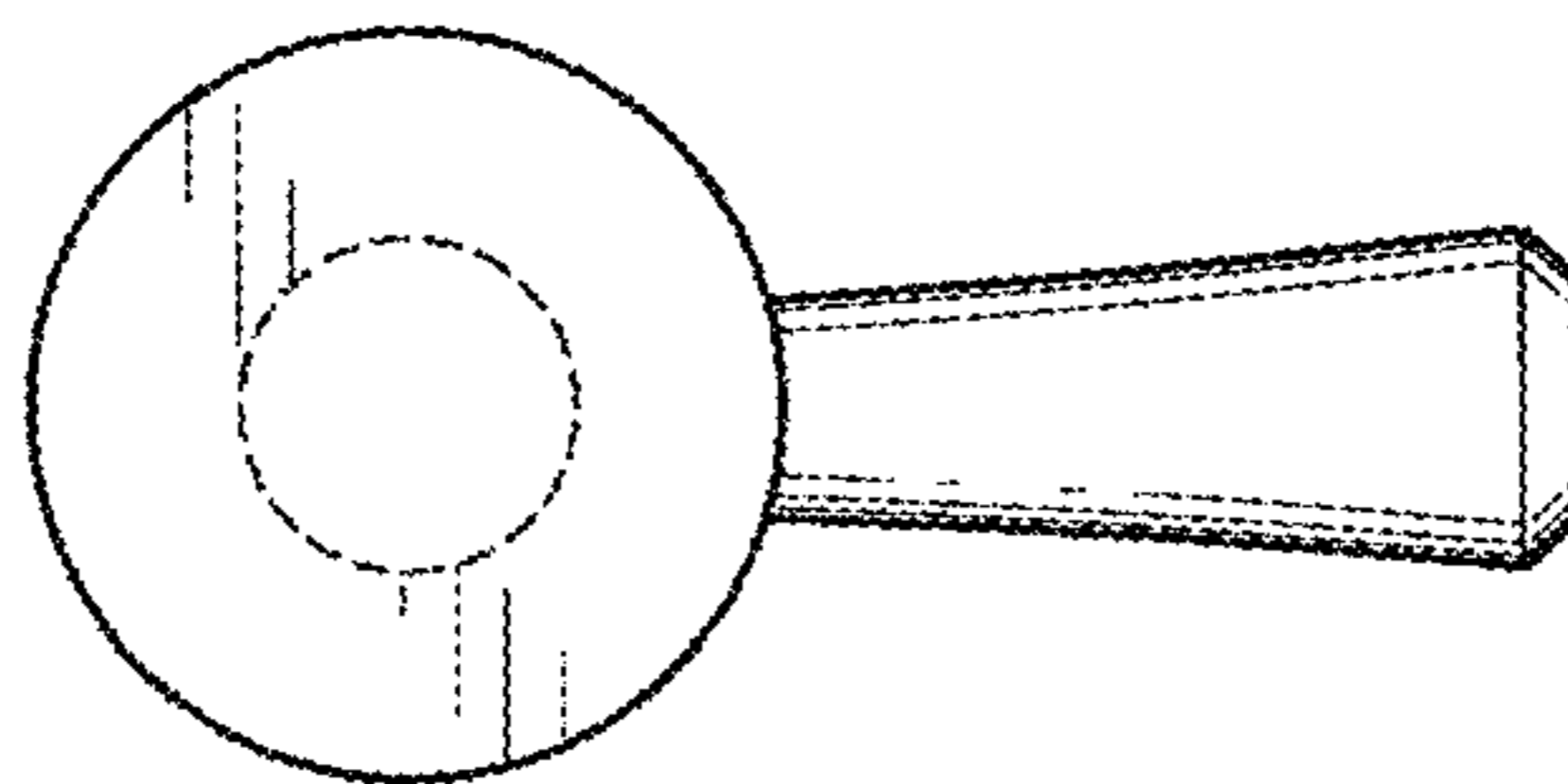


Fig-6