



US00D796638S

(12) **United States Design Patent**
Liao

(10) **Patent No.:** **US D796,638 S**

(45) **Date of Patent:** **** Sep. 5, 2017**

(54) **FAUCET**

(71) Applicant: **DELTA FAUCET COMPANY,**
Indianapolis, IN (US)

(72) Inventor: **Vincent Liao,** Guangdong (CN)

(73) Assignee: **DELTA FAUCET COMPANY,**
Indianapolis, IN (US)

(**) Term: **15 Years**

(21) Appl. No.: **29/555,166**

(22) Filed: **Feb. 19, 2016**

(51) **LOC (10) Cl.** **23-01**

(52) **U.S. Cl.**
USPC **D23/242**

(58) **Field of Classification Search**
USPC D23/238–242, 249–250, 252, 254–255,
D23/257, 245; D8/300, 307–308, 310
CPC . E03C 1/00; E03C 1/04; E03C 1/0401; E03C
1/0402; E03C 1/0404; E03C 1/02; E03C
1/021; E03C 1/0403; F16K 27/06; F16K
27/067; F16K 27/0657
See application file for complete search history.

(56) **References Cited**

U.S. PATENT DOCUMENTS

D383,194 S * 9/1997 Doughty D23/249
D407,801 S * 4/1999 Kolada D23/257

D496,434 S * 9/2004 Spangler D23/252
D519,610 S * 4/2006 Fritz D23/241
D520,604 S * 5/2006 Fritz D23/241
D640,773 S * 6/2011 Ke D23/255
D644,303 S * 8/2011 Slothower D23/252
D676,938 S * 2/2013 Kwok D23/252
D680,193 S * 4/2013 Kwok D23/242

* cited by examiner

Primary Examiner — Robert Delehanty

(74) *Attorney, Agent, or Firm* — Edgar A. Zarins; Nirav
D. Parikh

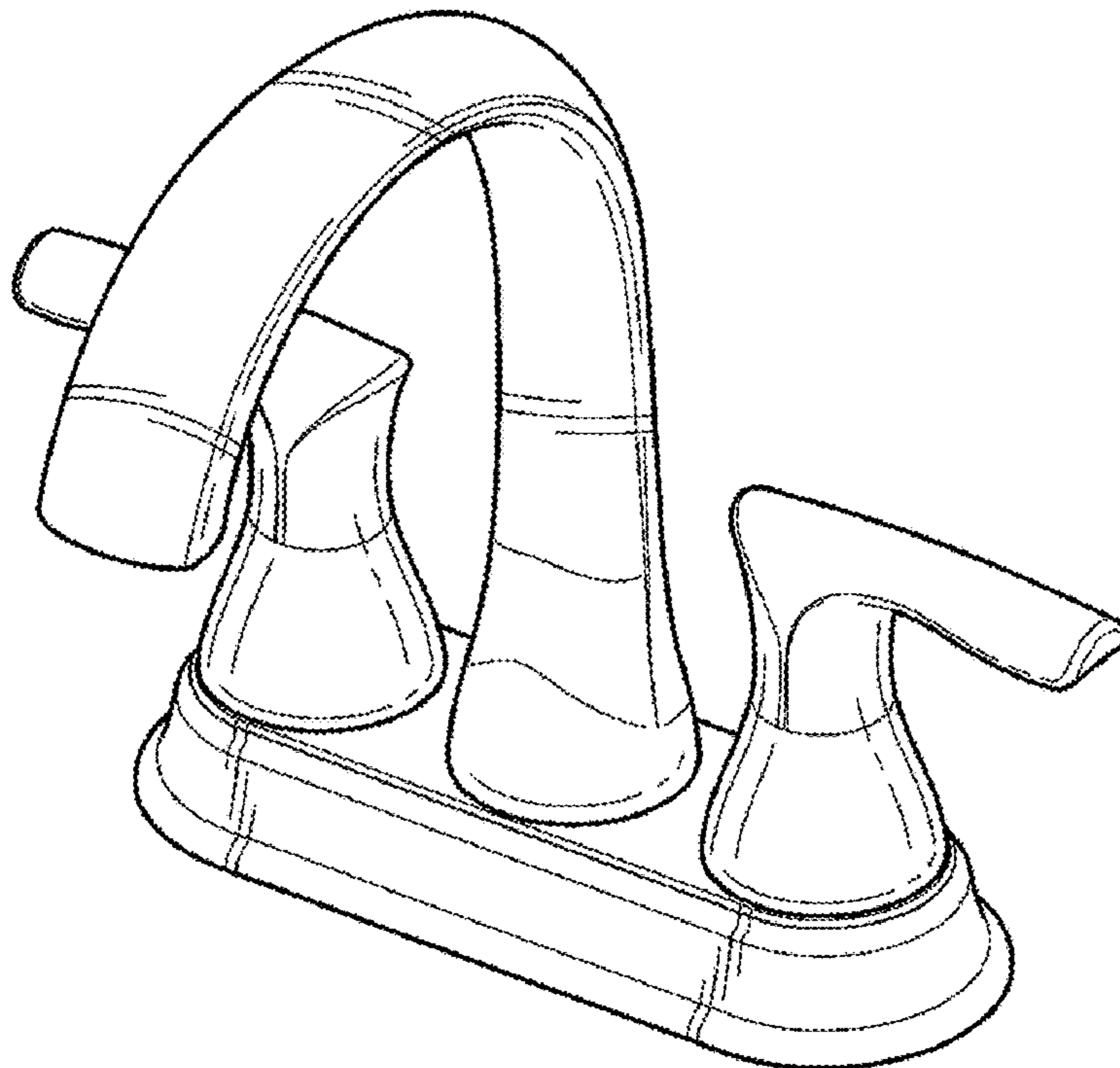
(57) **CLAIM**

The ornamental design for a faucet, as shown and described.

DESCRIPTION

FIG. 1 is a perspective view of a faucet showing my new design;
FIG. 2 is a front elevational view thereof;
FIG. 3 is a first side view thereof, the opposite side being a mirror image of the side shown;
FIG. 4 is a rear view thereof;
FIG. 5 is a top plan view thereof; and,
FIG. 6 is a bottom view thereof.
The broken lines shown in the drawing views are included for the purpose of illustrating a portion of the faucet that forms no part of the claimed design.

1 Claim, 3 Drawing Sheets



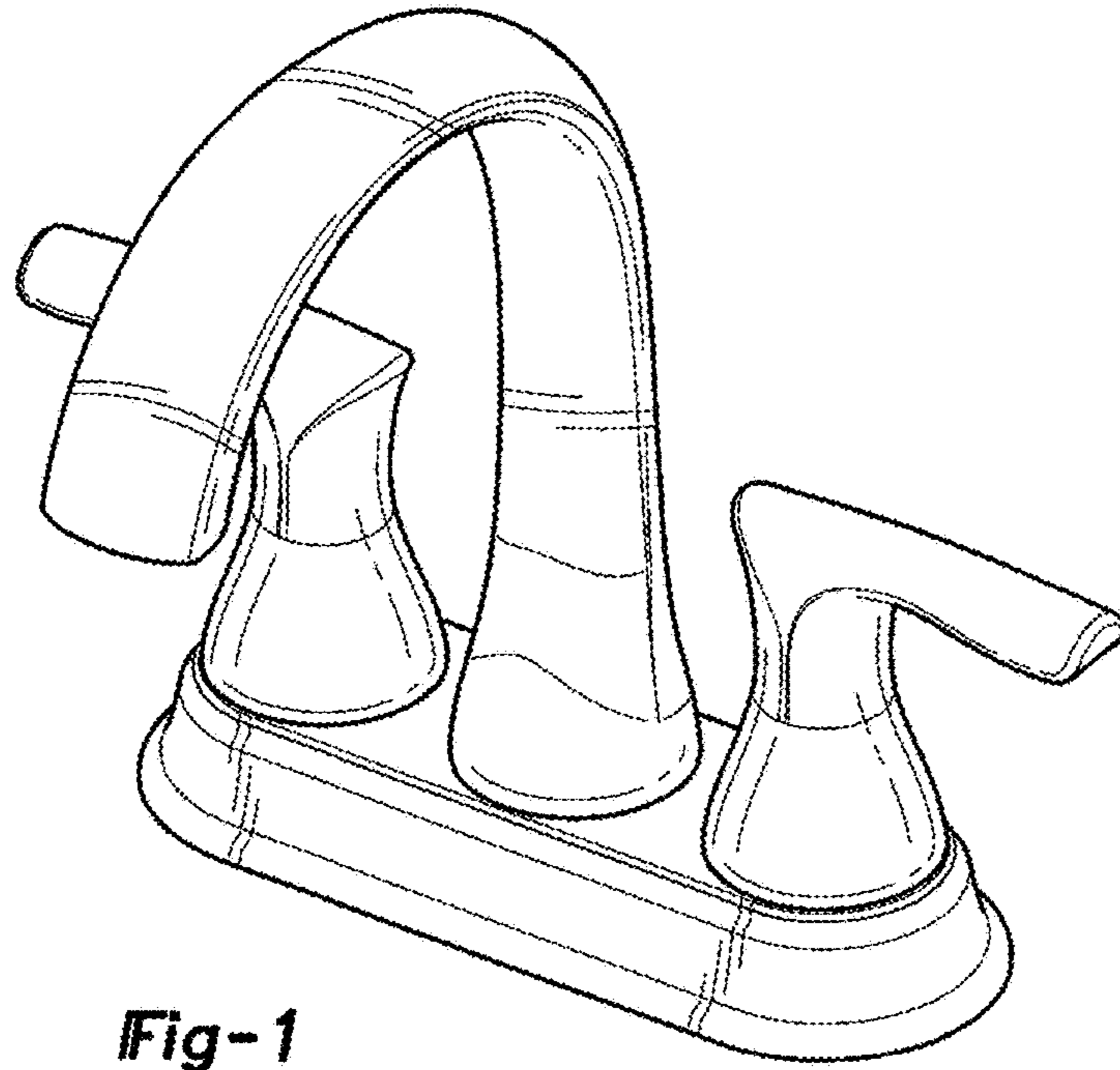


Fig-1

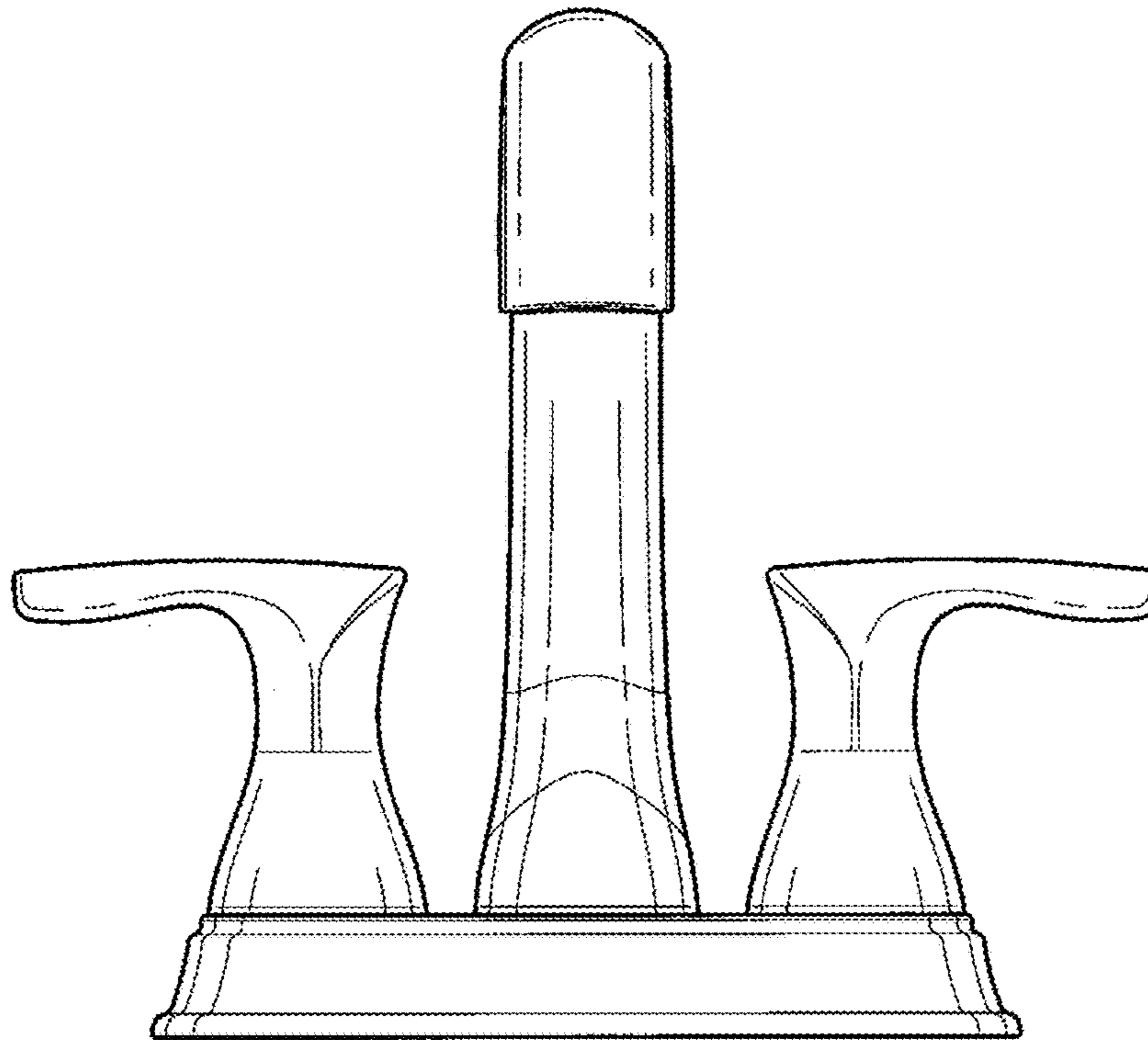


Fig-2

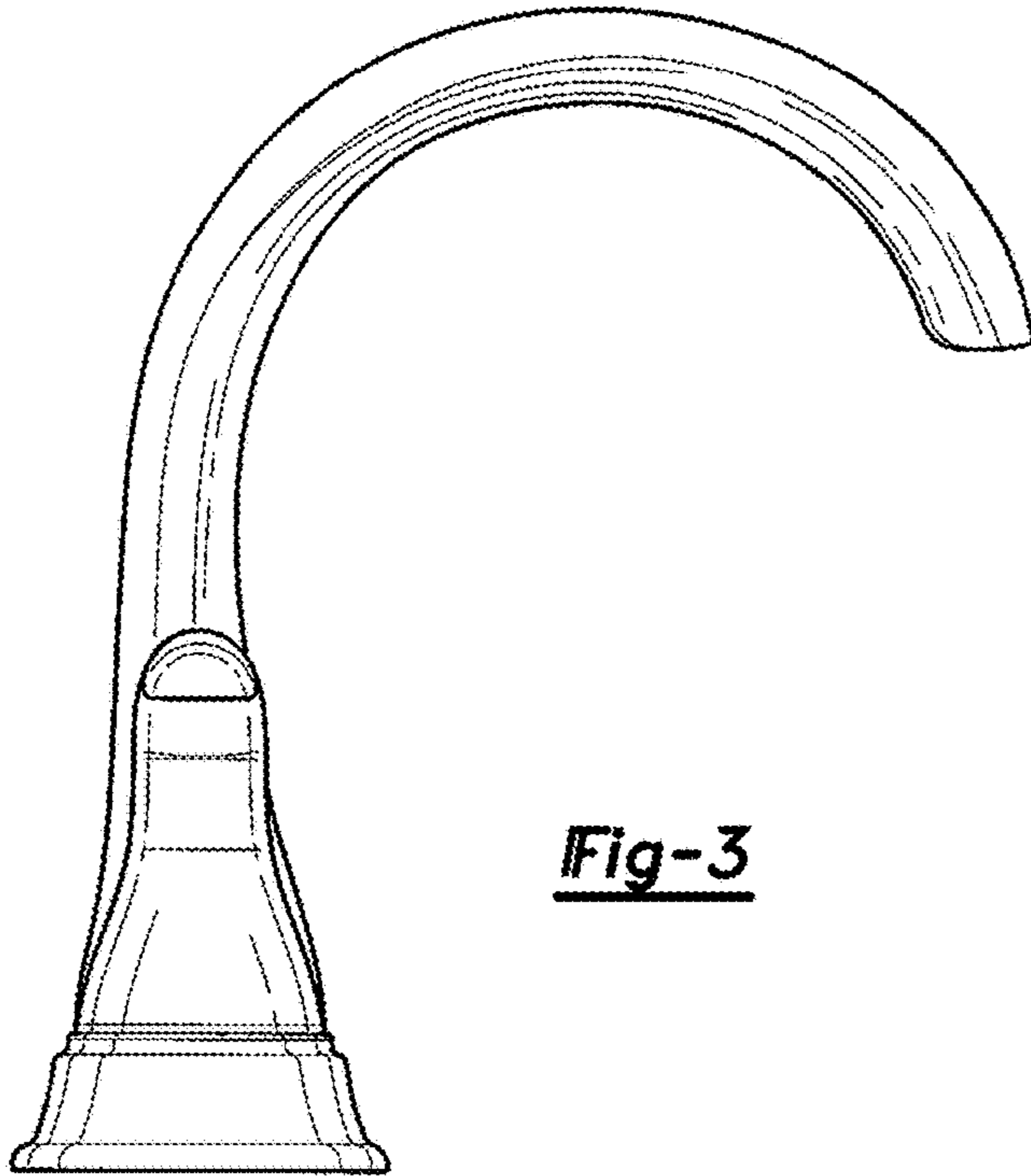


Fig-3

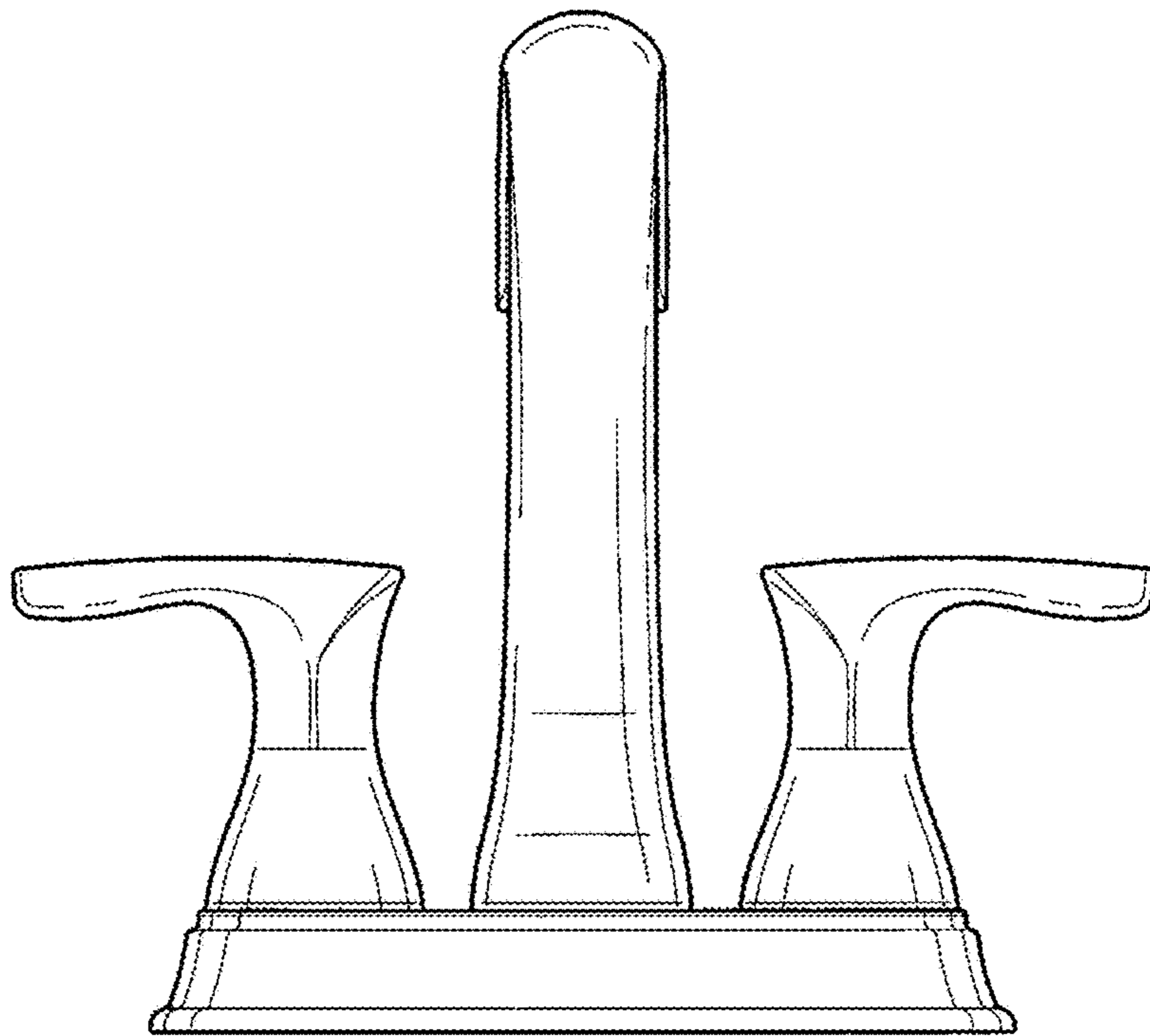


Fig-4

