



US00D796637S

(12) **United States Design Patent** (10) **Patent No.:** **US D796,637 S**
Liao (45) **Date of Patent:** **** Sep. 5, 2017**

(54) **FAUCET**
(71) Applicant: **DELTA FAUCET COMPANY,**
Indianapolis, IN (US)
(72) Inventor: **Vincent Liao,** Guangdong (CN)
(73) Assignee: **DELTA FAUCET COMPANY,**
Indianapolis, IN (US)
(**) Term: **15 Years**

D486,890 S * 2/2004 Graves D23/238
D510,128 S * 9/2005 Gilbert D23/252
D697,178 S * 1/2014 Georgeson D23/255
D713,509 S * 9/2014 Potter D23/242

* cited by examiner

Primary Examiner — Robert Delehanty
(74) *Attorney, Agent, or Firm* — Edgar A. Zarins; Nirav
D. Parikh

(21) Appl. No.: **29/555,163**
(22) Filed: **Feb. 19, 2016**
(51) **LOC (10) Cl.** **23-01**
(52) **U.S. Cl.**
USPC **D23/242**
(58) **Field of Classification Search**
USPC D23/238–242, 249–250, 252, 254–255,
D23/257, 245; D8/300, 307–308, 310
CPC . E03C 1/00; E03C 1/04; E03C 1/0401; E03C
1/0402; E03C 1/0404; E03C 1/02; E03C
1/021; E03C 1/0403; F16K 27/06; F16K
27/067; F16K 27/0657
See application file for complete search history.

(57) **CLAIM**

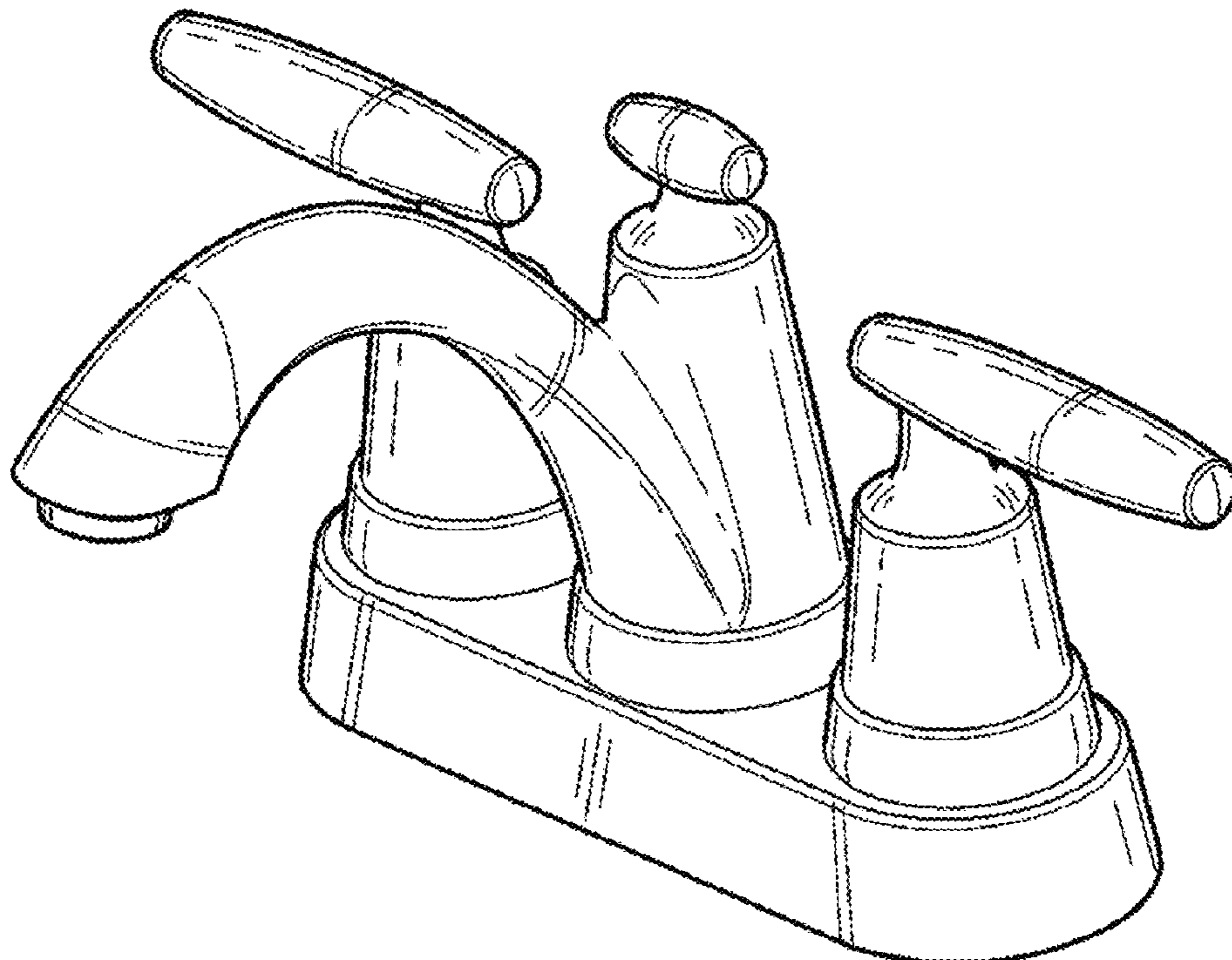
The ornamental design for a faucet, as shown and described.

DESCRIPTION

FIG. 1 is a perspective view of a faucet showing my new design;
FIG. 2 is a front elevational view thereof;
FIG. 3 is a right side view thereof, the opposite side being a mirror image of the side shown;
FIG. 4 is a rear view thereof;
FIG. 5 is a top plan view thereof; and,
FIG. 6 is a bottom view thereof.
The broken lines shown in the drawing views are included for the purpose of illustrating a portion of the faucet that form no part of the claimed design.

(56) **References Cited**
U.S. PATENT DOCUMENTS
D399,926 S * 10/1998 Lord D23/241
D437,032 S * 1/2001 Ko D23/238

1 Claim, 3 Drawing Sheets



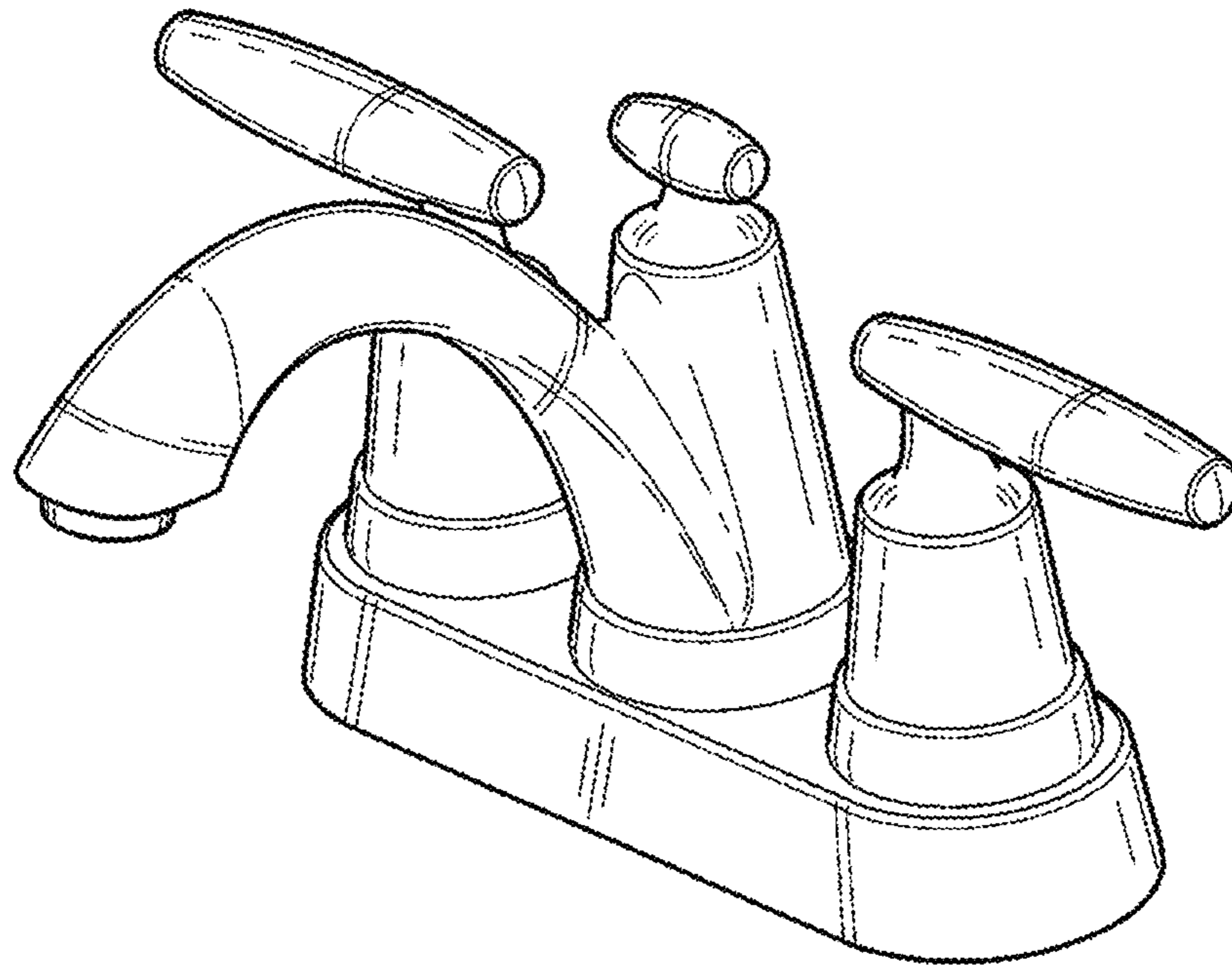


Fig-1

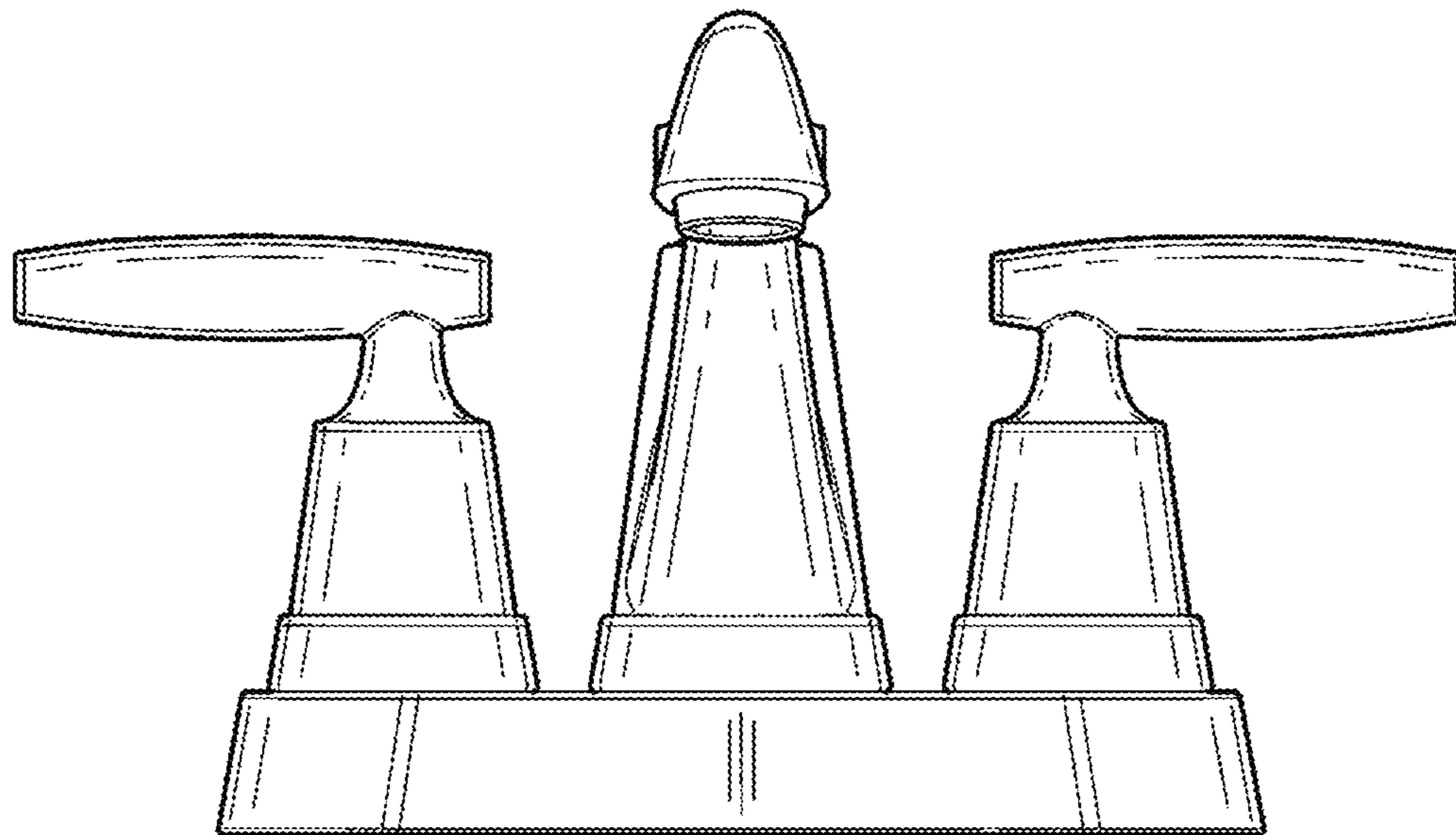


Fig-2

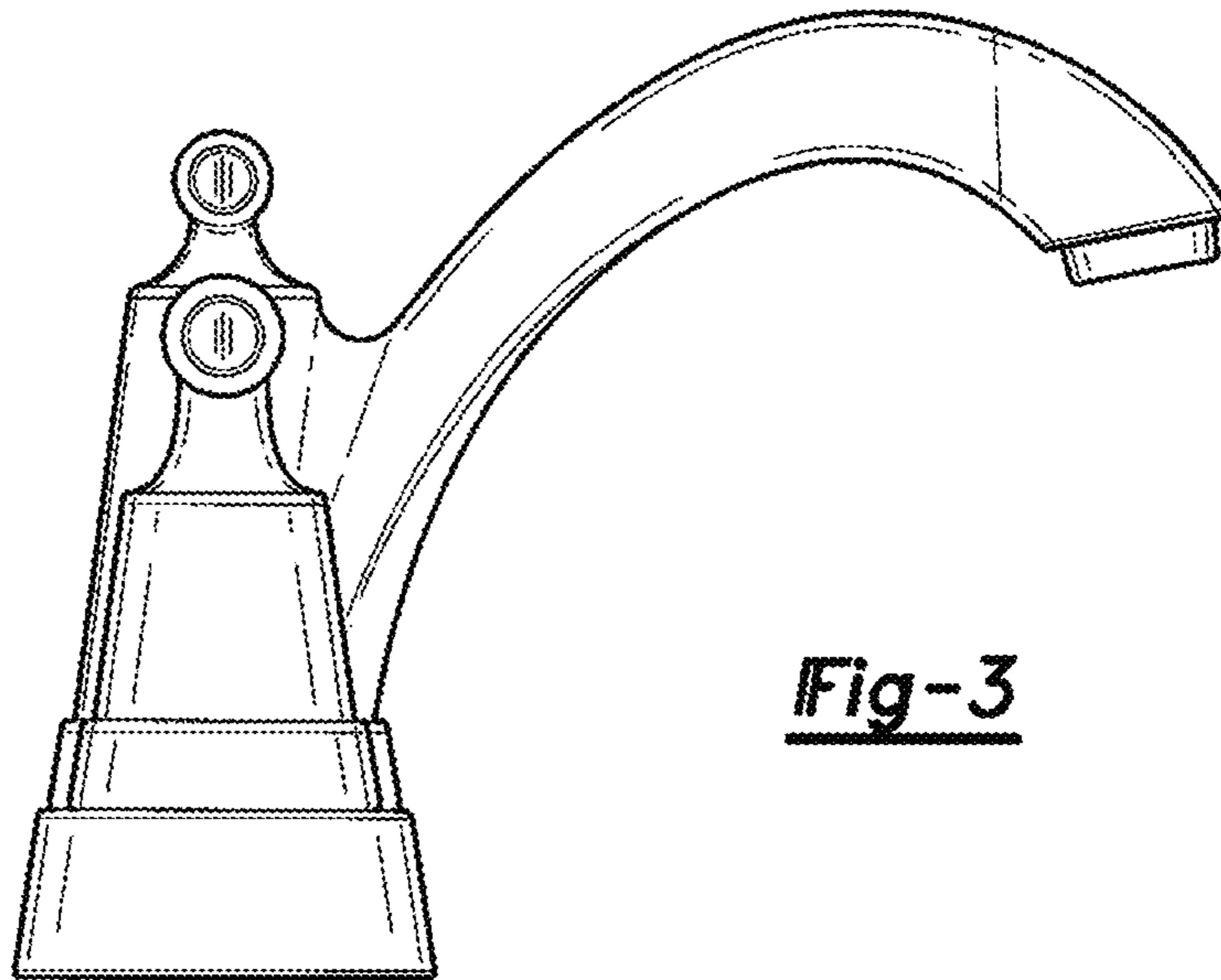


Fig-3

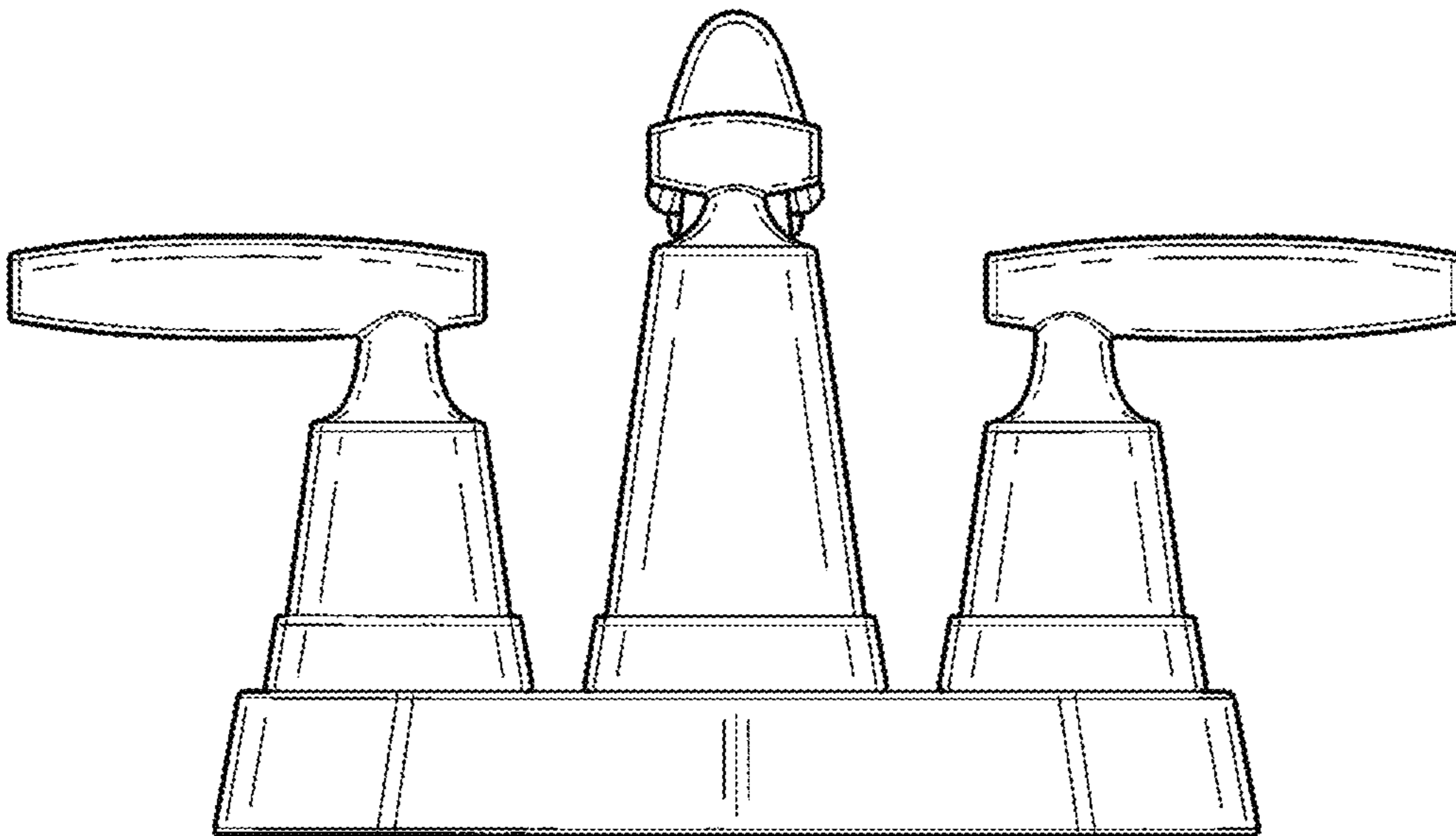


Fig-4

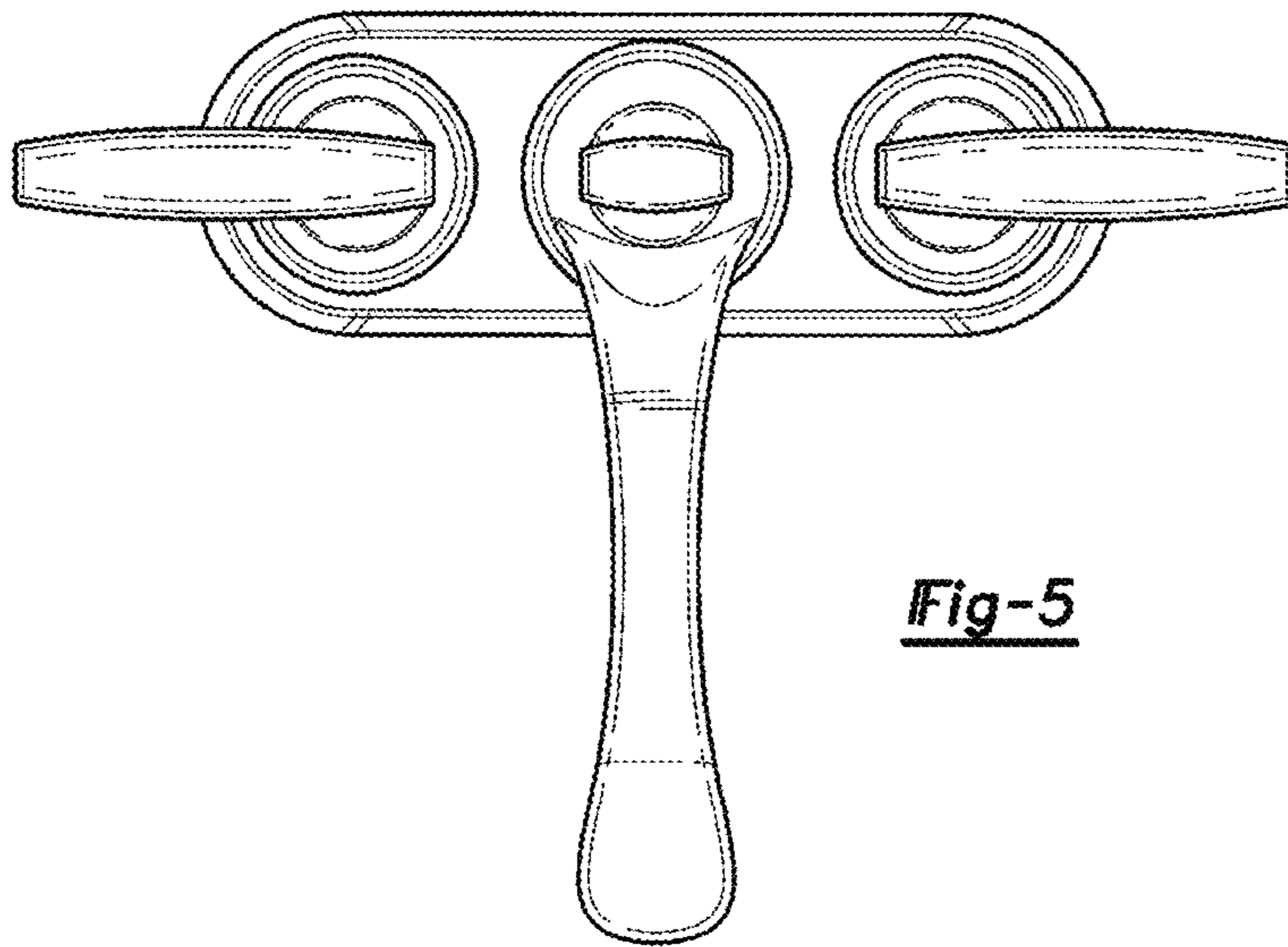


Fig-5

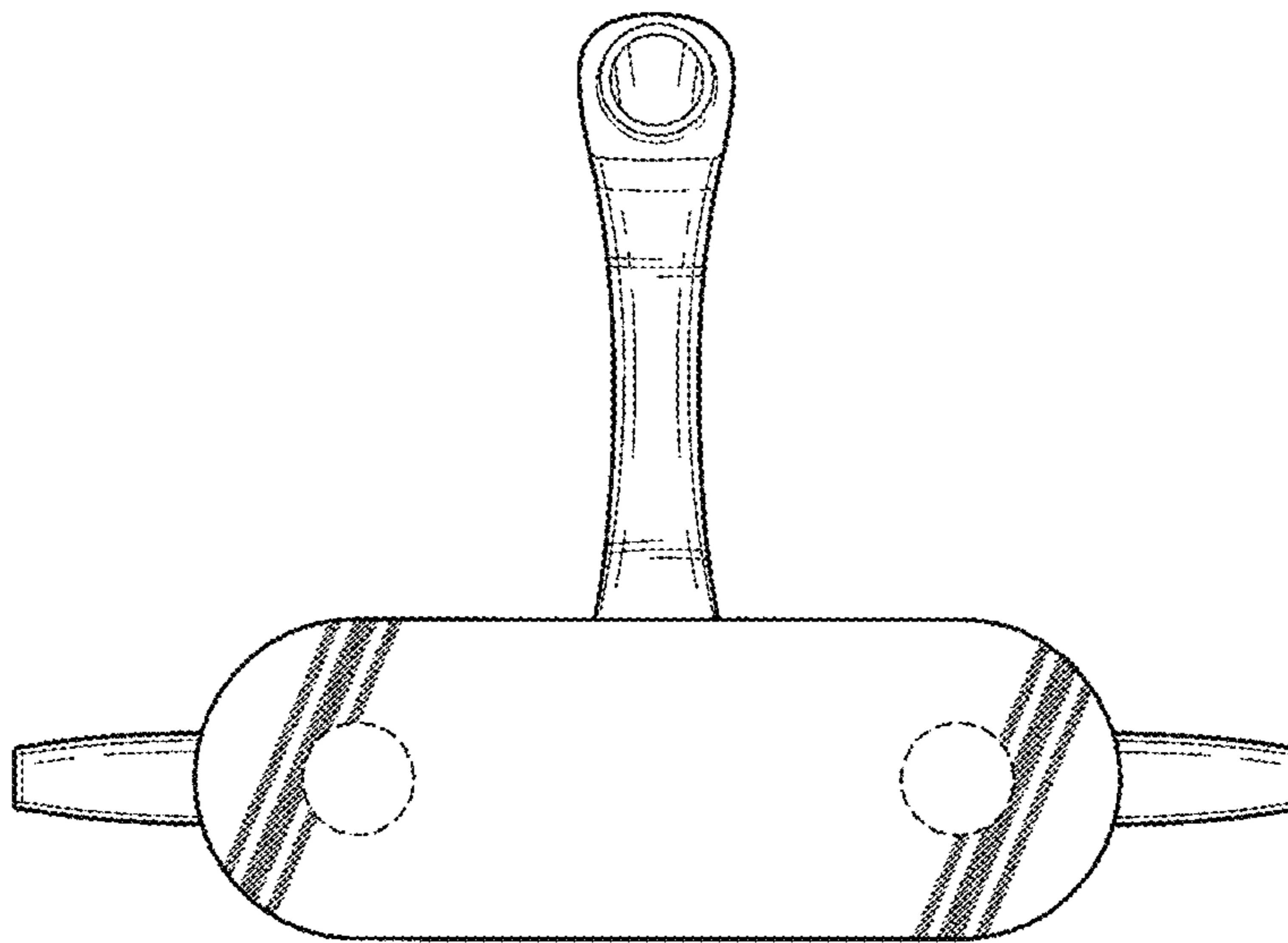


Fig-6