



US00D796635S

(12) **United States Design Patent** (10) **Patent No.:** **US D796,635 S**
Li (45) **Date of Patent:** **** Sep. 5, 2017**

(54) **WATER SHOWER MIXER**

(71) Applicant: **TAI ZHOU FENGHUA**
BRASSWORKS CO., LTD., Yuhuan,
Zhejiang (CN)

(72) Inventor: **Fayu Li**, Yuhuan (CN)

(73) Assignee: **TAI ZHOU FENGHUA**
BRASSWORKS CO., LTD., Yuhuan,
Zhejiang (CN)

(**) Term: **15 Years**

(21) Appl. No.: **29/554,029**

(22) Filed: **Feb. 6, 2016**

(30) **Foreign Application Priority Data**

Sep. 12, 2015 (CN) 2015 3 0351007

(51) **LOC (10) Cl.** **23-01**

(52) **U.S. Cl.**
USPC **D23/238**

(58) **Field of Classification Search**
USPC D23/238–242, 249–250, 252, 254;
D8/300, 307–308, 310
See application file for complete search history.

(56) **References Cited**

U.S. PATENT DOCUMENTS

D582,008 S * 12/2008 Citterio D23/238
D717,403 S * 11/2014 Fritz D23/238
D760,354 S * 6/2016 Citterio D23/238

* cited by examiner

Primary Examiner — Robert Delehanty
(74) *Attorney, Agent, or Firm* — Global IP Service;
Tianhua Gu

(57) **CLAIM**

The ornamental design for a water shower mixer, as shown and described.

DESCRIPTION

FIG. 1 is a front elevation view of a water shower mixer showing my new design;
FIG. 2 is a rear elevation view thereof;
FIG. 3 is a right side elevation view thereof;
FIG. 4 is a left side elevation view thereof;
FIG. 5 is a top plan view thereof;
FIG. 6 is a bottom plan view thereof;
FIG. 7 is an enlarged view of a top part of the water shower mixer shown on the FIG. 6;
FIG. 8 is an enlarged view of a bottom part of the water shower mixer shown on the FIG. 6; and,
FIG. 9 is a front perspective view thereof.

1 Claim, 9 Drawing Sheets

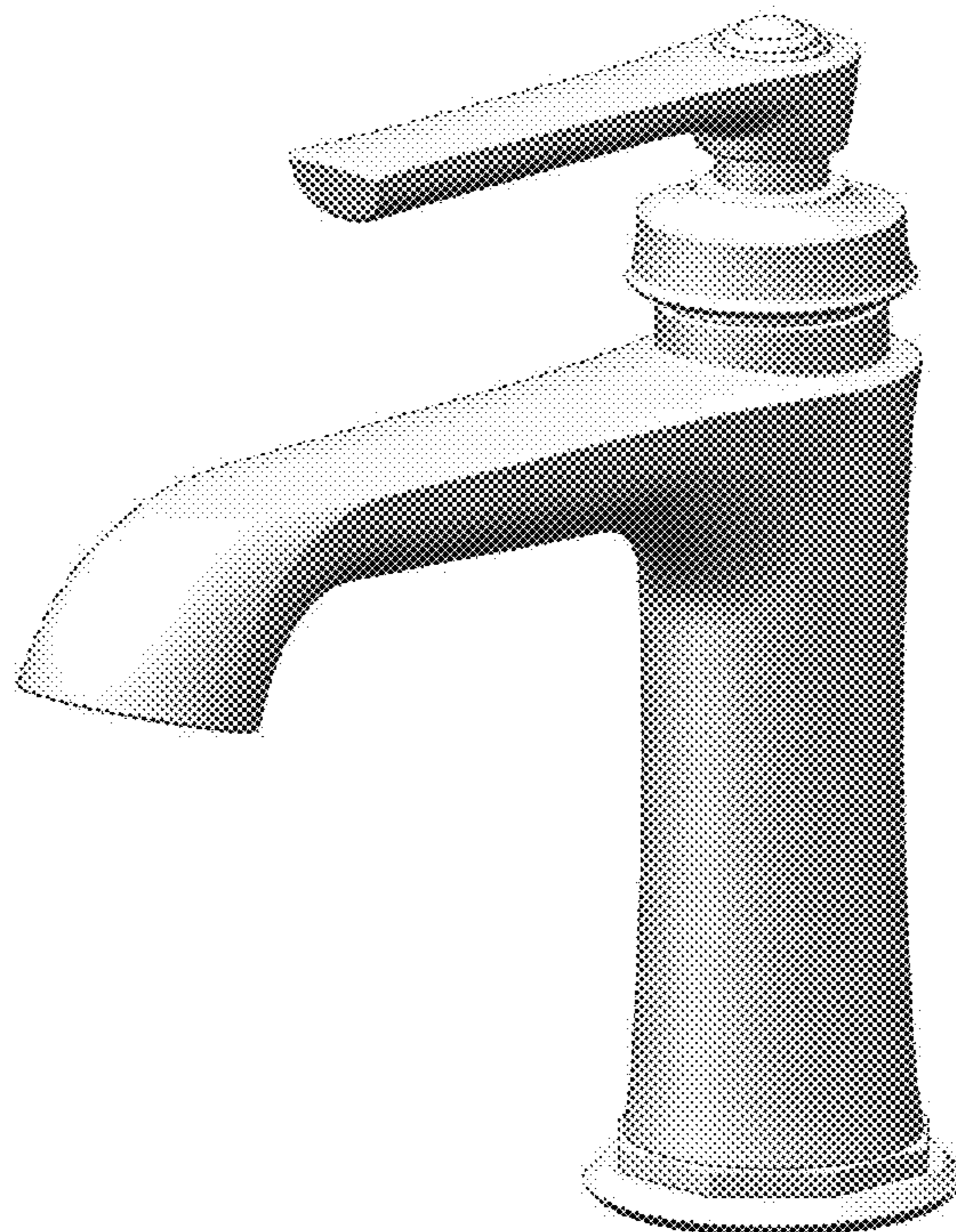




FIG. 1



FIG. 2

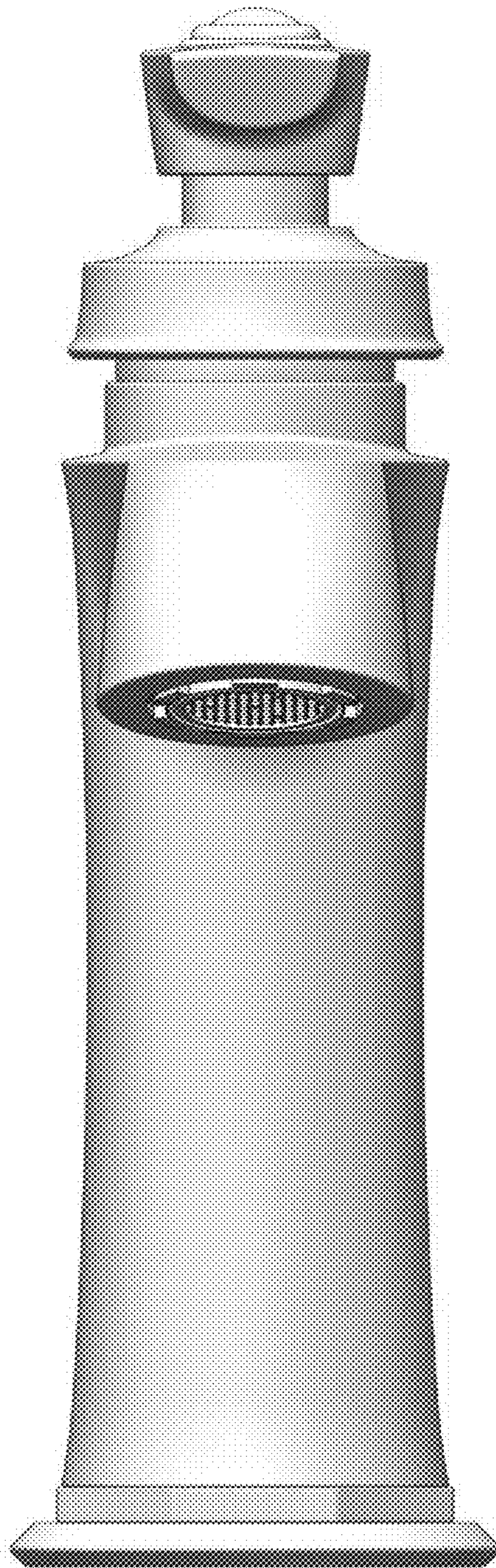


FIG. 3

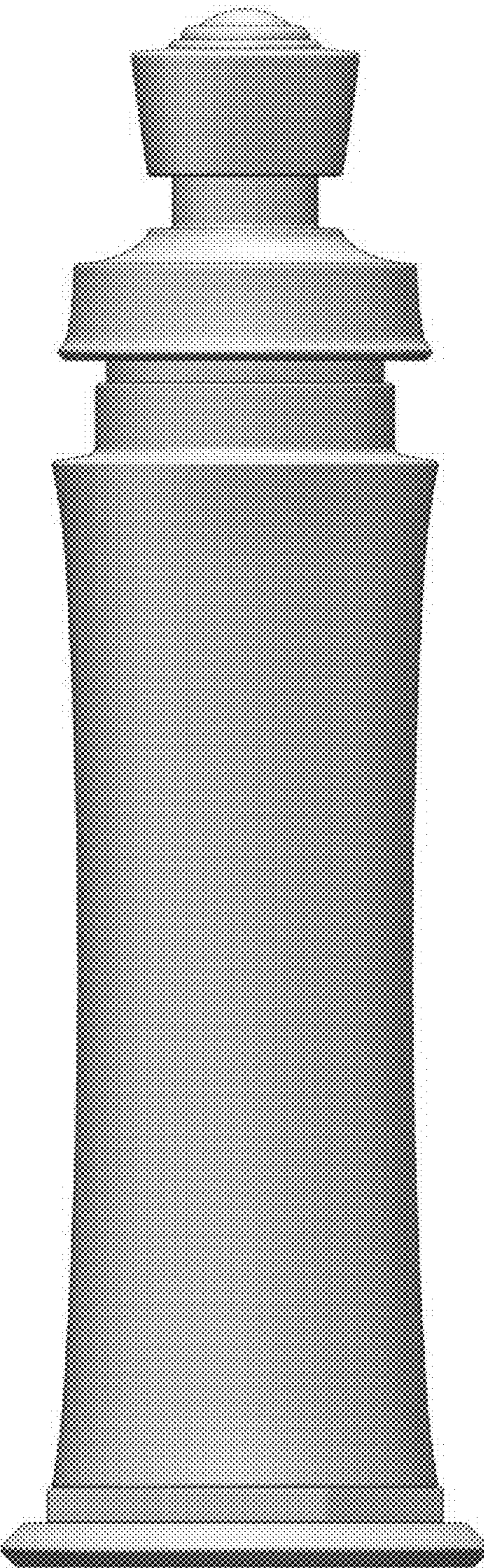


FIG. 4

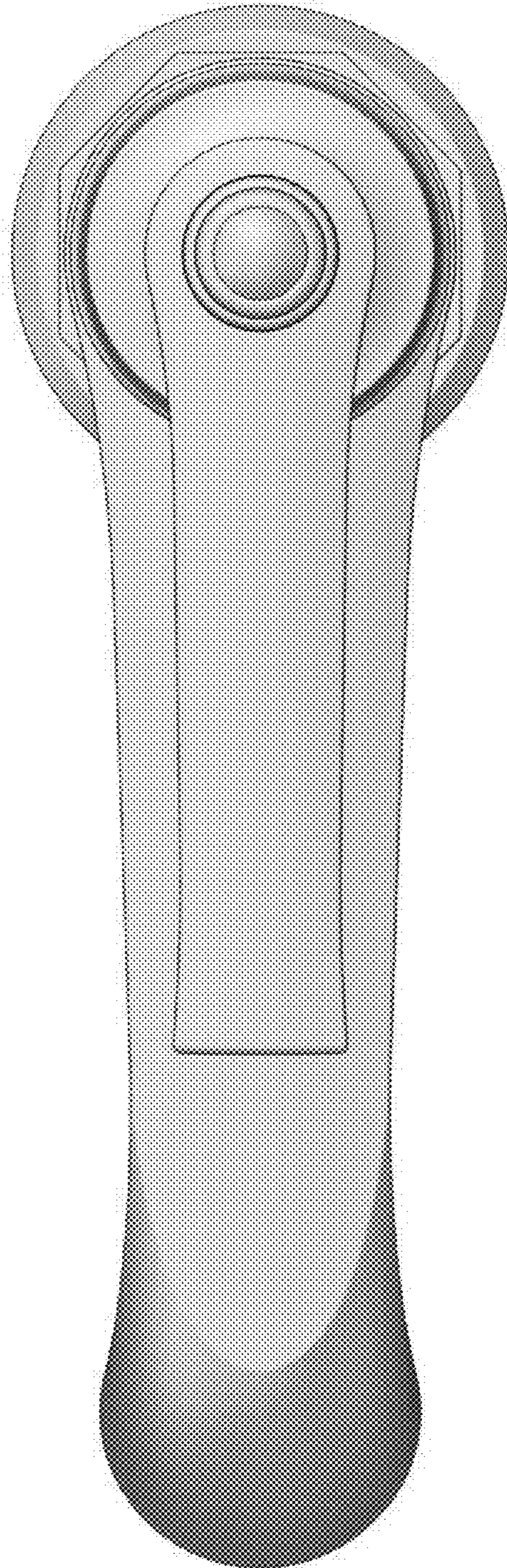


FIG. 5

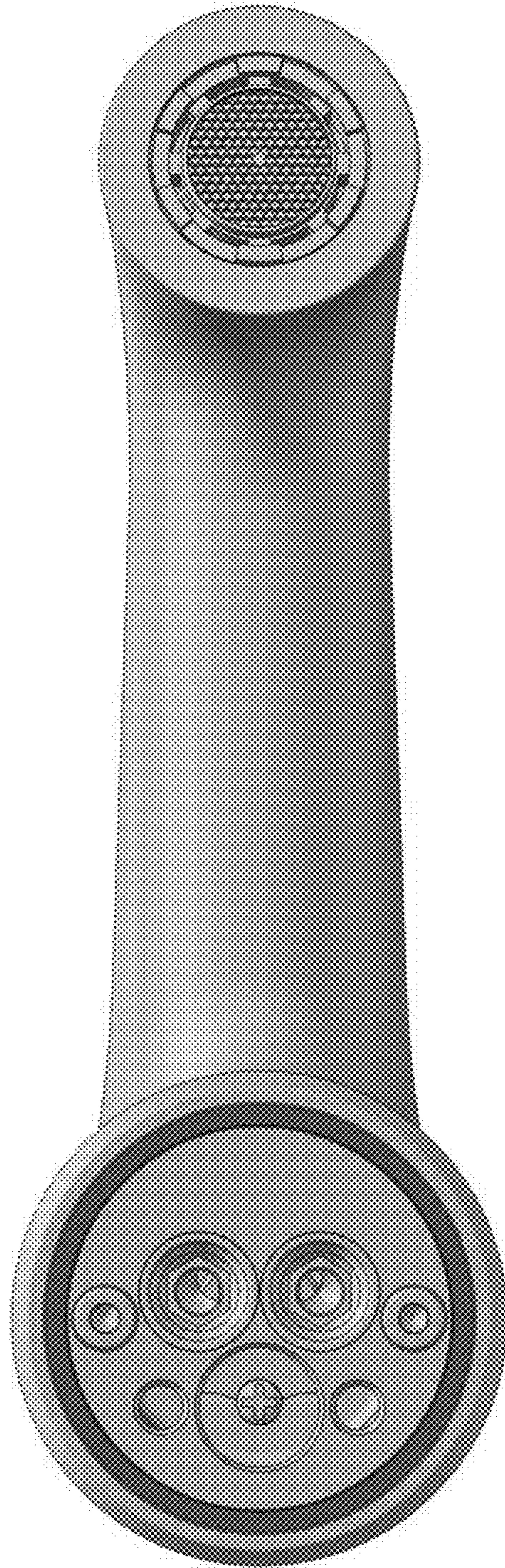


FIG. 6

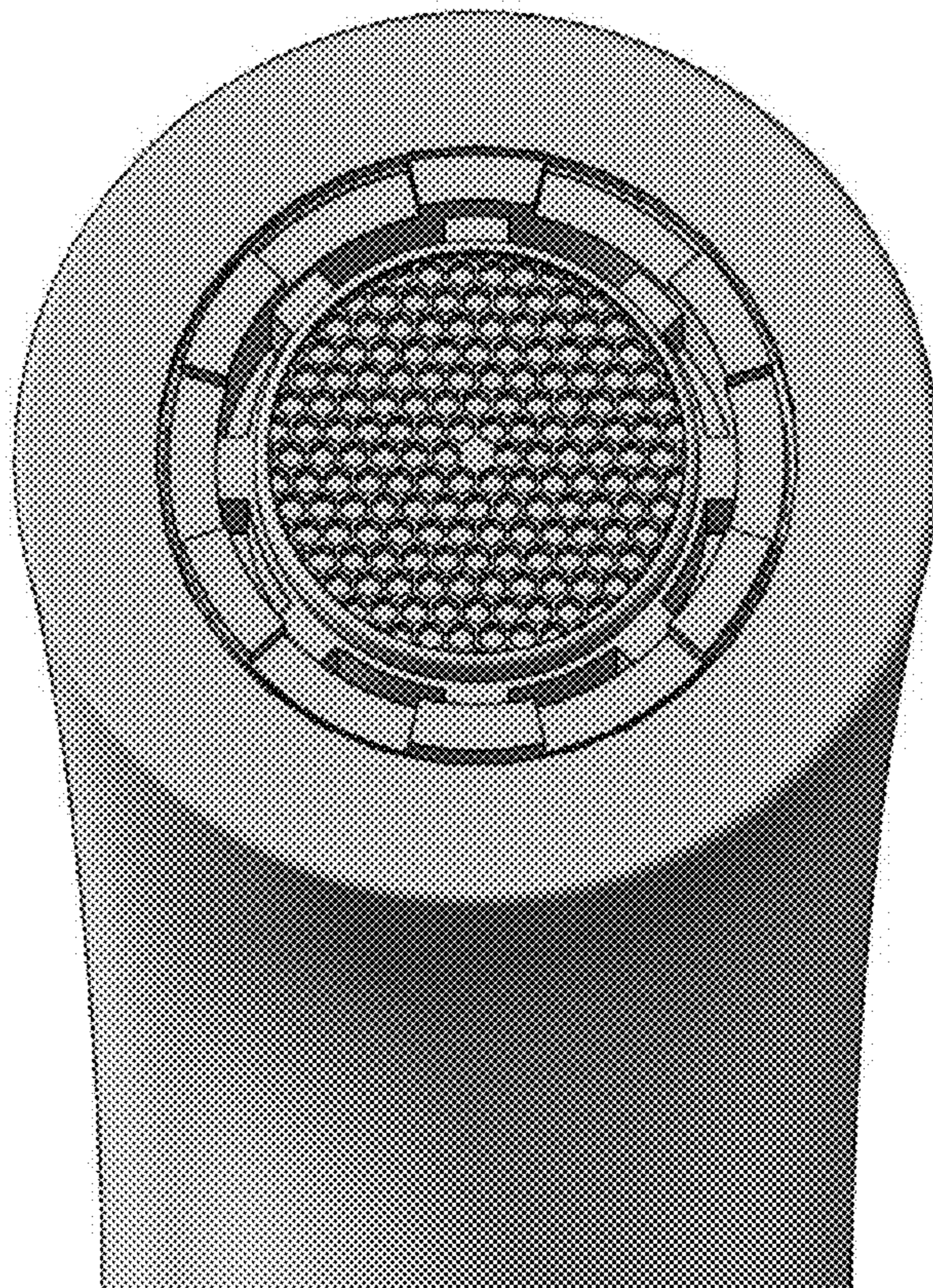


FIG. 7

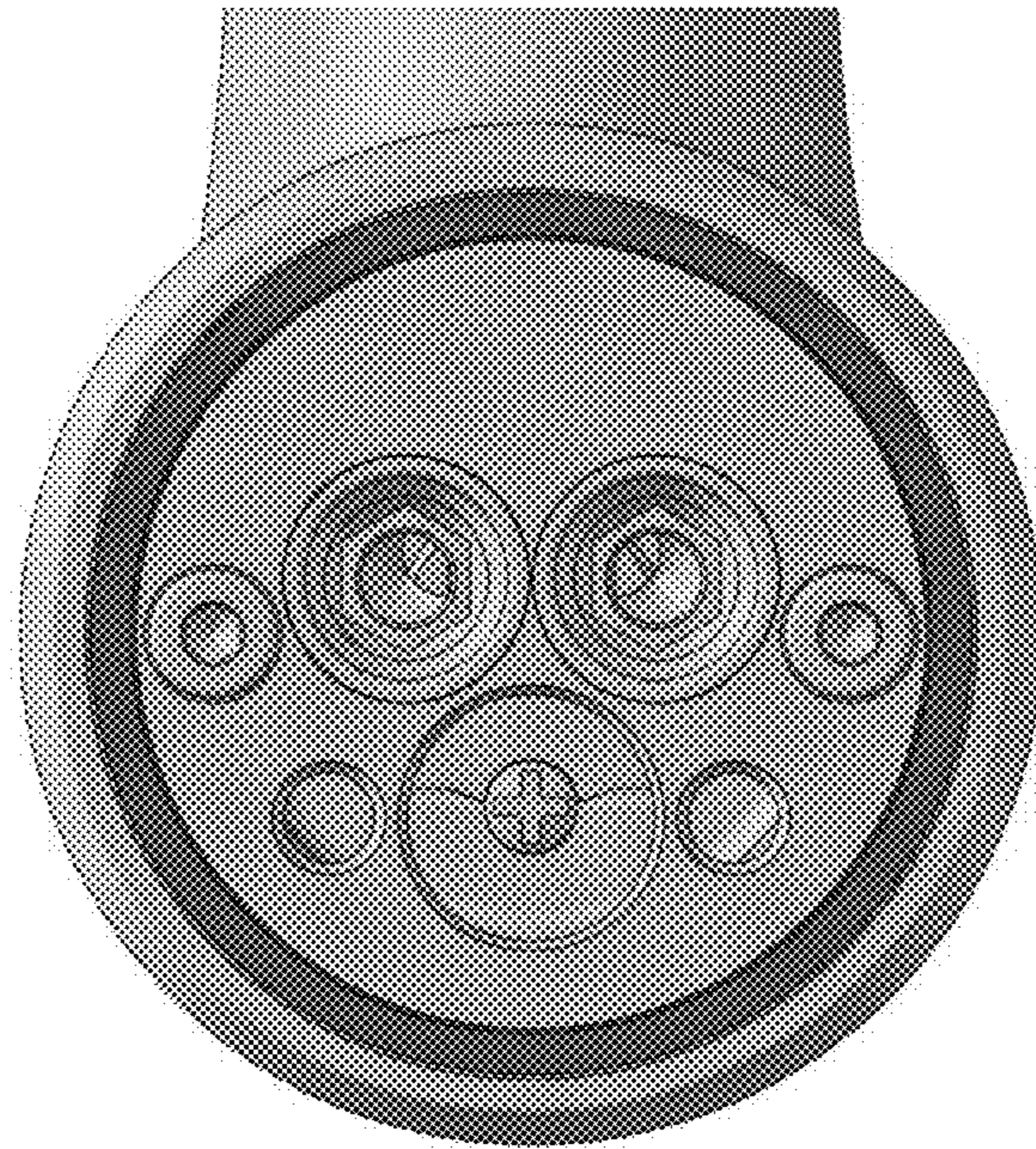


FIG. 8



FIG. 9