



US00D796633S

(12) **United States Design Patent** (10) **Patent No.:** **US D796,633 S**
Adey et al. (45) **Date of Patent:** **** Sep. 5, 2017**

(54) **FITMENT**

FOREIGN PATENT DOCUMENTS

(71) Applicant: **Adey Holdings (2008) Limited**,
Cheltenham (GB)

BE 546074 A 10/1959
DE 4310795 C1 7/1994

(Continued)

(72) Inventors: **Christopher Adey**, Cheltenham (GB);
Matthew Taylor, Cheltenham (GB);
Simon Downie, Cheltenham (GB)

OTHER PUBLICATIONS

(73) Assignee: **ADEY HOLDINGS (2008) LIMITED**,
Cheltenham (GB)

Adey Professional Heating Solutions "MagnaClean Professional 2",
www.adey.com. 2014. shown in p. 1.*

(**) Term: **15 Years**

Primary Examiner — Cynthia Ramirez

Assistant Examiner — Michael Maharajh

(21) Appl. No.: **29/560,417**

(74) *Attorney, Agent, or Firm* — Shumaker, Loop &
Kendrick, LLP; James D. Miller

(22) Filed: **Apr. 6, 2016**

Related U.S. Application Data

(57) **CLAIM**

(63) Continuation of application No. 14/439,059, filed as
application No. PCT/GB2013/052880 on Nov. 4,
2013.

The ornamental design for a fitment, as shown and
described.

(30) **Foreign Application Priority Data**

DESCRIPTION

May 21, 2013 (GB) PCT/GB2013/051329
May 21, 2013 (GB) PCT/GB2013/051330
Oct. 7, 2013 (GB) 1317652.4

FIG. 1 is a front-left perspective view of a fitment showing
our new design;

(51) **LOC (10) Cl.** **23-01**

(52) **U.S. Cl.**
USPC **D23/233**

FIG. 2 is a front elevational view thereof;

FIG. 3 is a rear elevational view thereof;

FIG. 4 is a left-side elevational view thereof;

FIG. 5 is a right-side elevational view thereof;

FIG. 6 is a top plan view thereof;

FIG. 7 is a bottom plan view thereof; and,

FIG. 8 is a front-right perspective view thereof.

(58) **Field of Classification Search**
USPC D23/233–250, 259, 266, 362, 363;
251/149.6, 144, 148; 141/346; 285/188,
(Continued)

The ornamental design which is claimed is shown in solid
lines in the drawings. The broken lines shown in the figures
are for the purpose of illustrating portions of the fitment and
form no part of the claimed design. The logo, letters and
numbers shown in broken lines are for the purpose of
illustrating environment and form no part of the claimed
design.

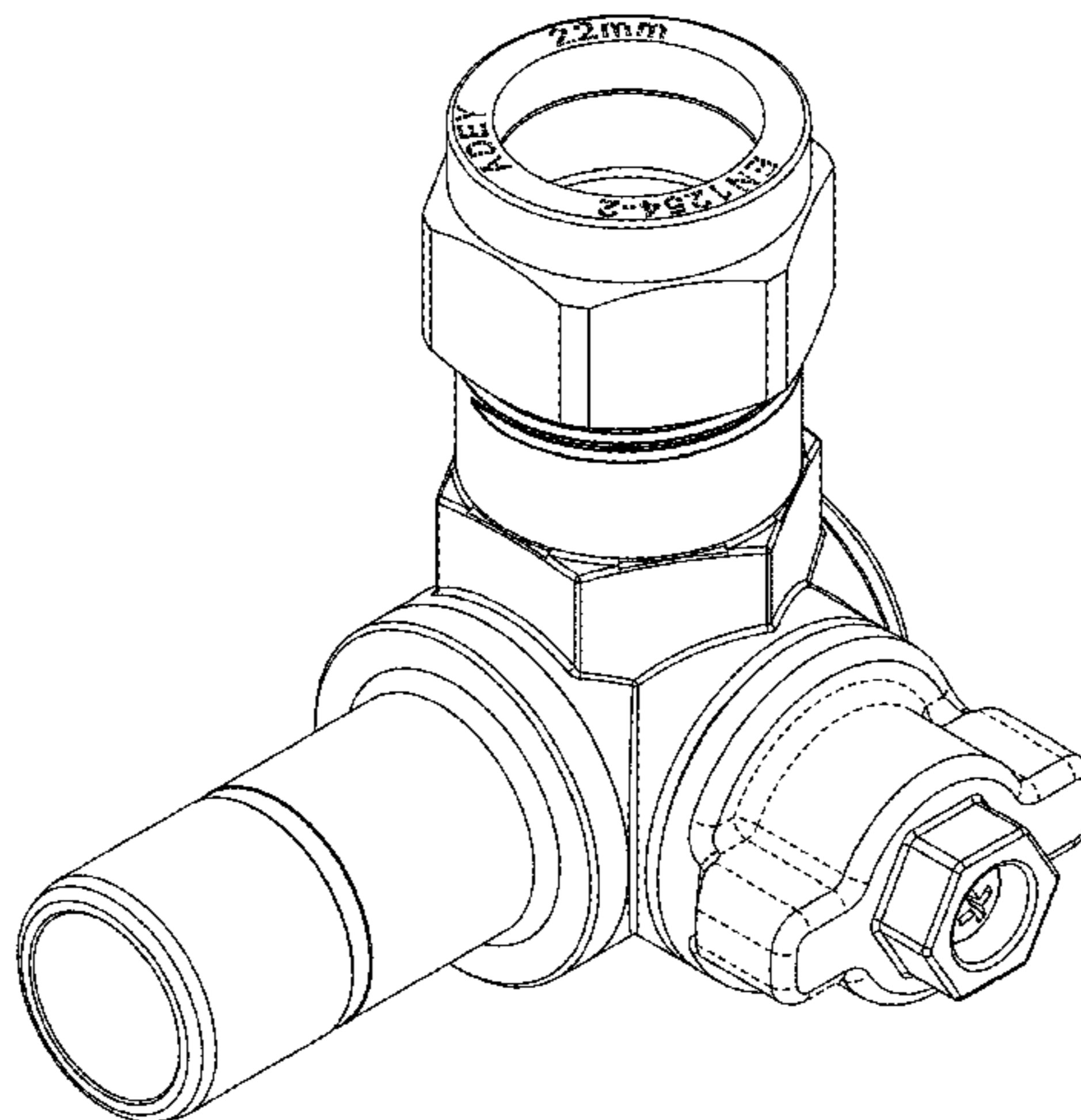
(56) **References Cited**

U.S. PATENT DOCUMENTS

3,339,740 A 9/1967 Starzyk
3,696,927 A 10/1972 Jakobsson et al.

(Continued)

1 Claim, 8 Drawing Sheets



(58) **Field of Classification Search**

USPC 285/12; 403/385, 388, 394, 384, 49, 164,
 403/323, 322; 137/138, 218, 594, 318,
 137/556, 875
 CPC ... E04G 7/16; Y10T 403/30; Y10T 403/7105;
 Y10T 403/7158; F16L 29/02; F16L
 37/40; F16L 37/084; F16L 37/00; F16K
 15/188; F16K 15/181

See application file for complete search history.

D499,172 S *	11/2004	Tripp	D23/245
D502,762 S *	3/2005	Kriegshauser	D23/233
D519,188 S *	4/2006	Hay	D23/233
D541,379 S *	4/2007	Nortier	D23/233
D678,981 S *	3/2013	Shengyong	D23/233
8,807,525 B2 *	8/2014	Chang	F16L 37/34 137/614.05
2005/0167352 A1	8/2005	Burrows et al.	
2008/0000820 A1	1/2008	Mitchell	
2012/0067802 A1	3/2012	Irvin	

(56)

References Cited

U.S. PATENT DOCUMENTS

4,544,483 A	10/1985	Arvai	
4,881,573 A	11/1989	Durant et al.	
5,201,552 A	4/1993	Hohmann et al.	
5,257,525 A	11/1993	Clarke	
5,427,465 A *	6/1995	Sato	E04G 7/16 403/385
D470,222 S *	2/2003	Nortier	D23/233
D478,650 S *	8/2003	Lai	D23/233
D486,204 S *	2/2004	Tripp	D23/245
D498,821 S *	11/2004	Nortier	D23/249

FOREIGN PATENT DOCUMENTS

EP	2453157 A2	5/2012
FR	2693662 A1	1/1994
GB	274729 A	7/1927
GB	737822 A	10/1955
GB	2349685 A	11/2000
GB	2469145 A	10/2010
GB	2491246 A	11/2012
WO	8402855 A1	8/1984
WO	9942198 A1	8/1999
WO	0045937 A1	8/2000
WO	2012073029 A1	6/2012

* cited by examiner

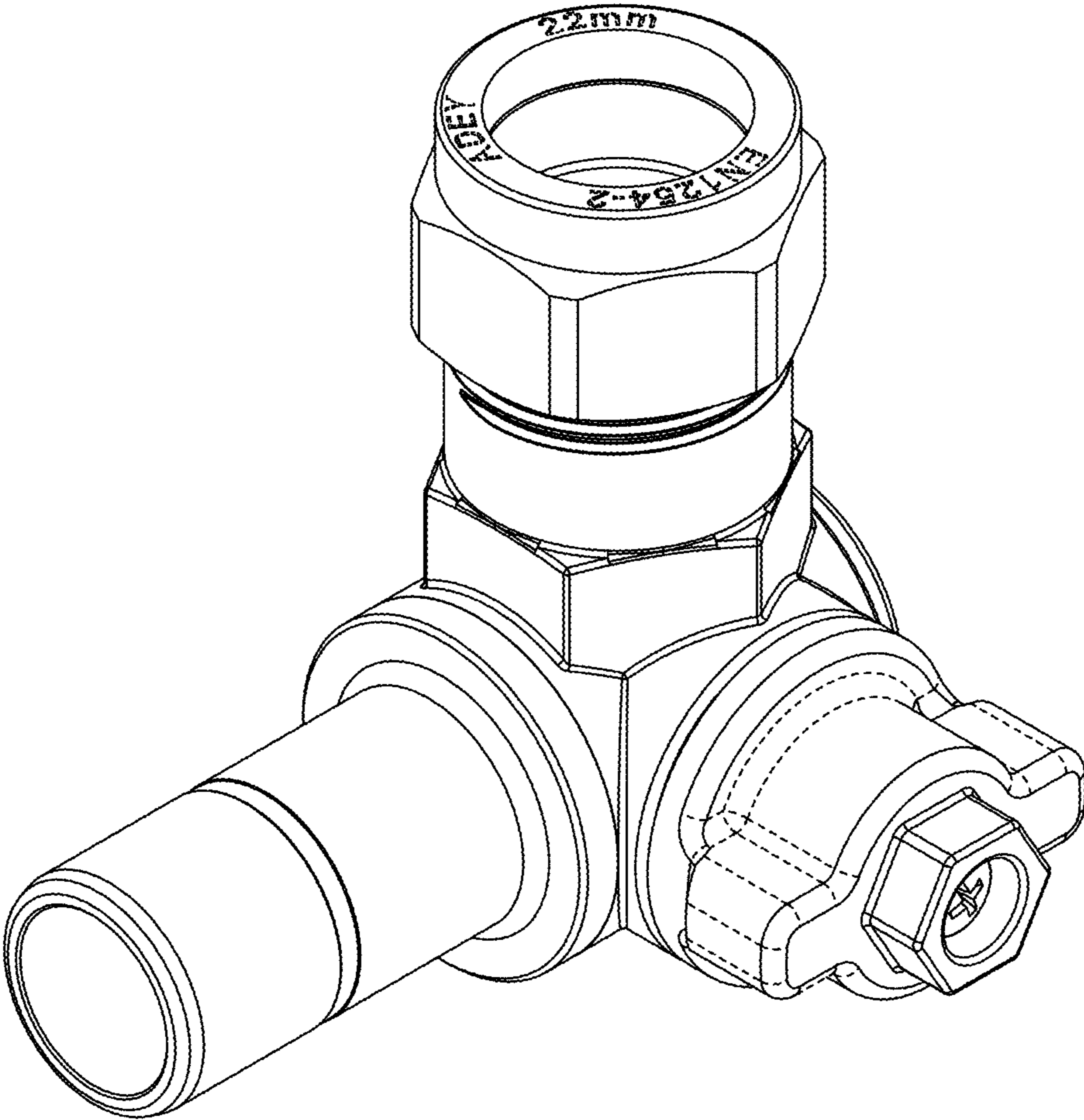


FIG. 1

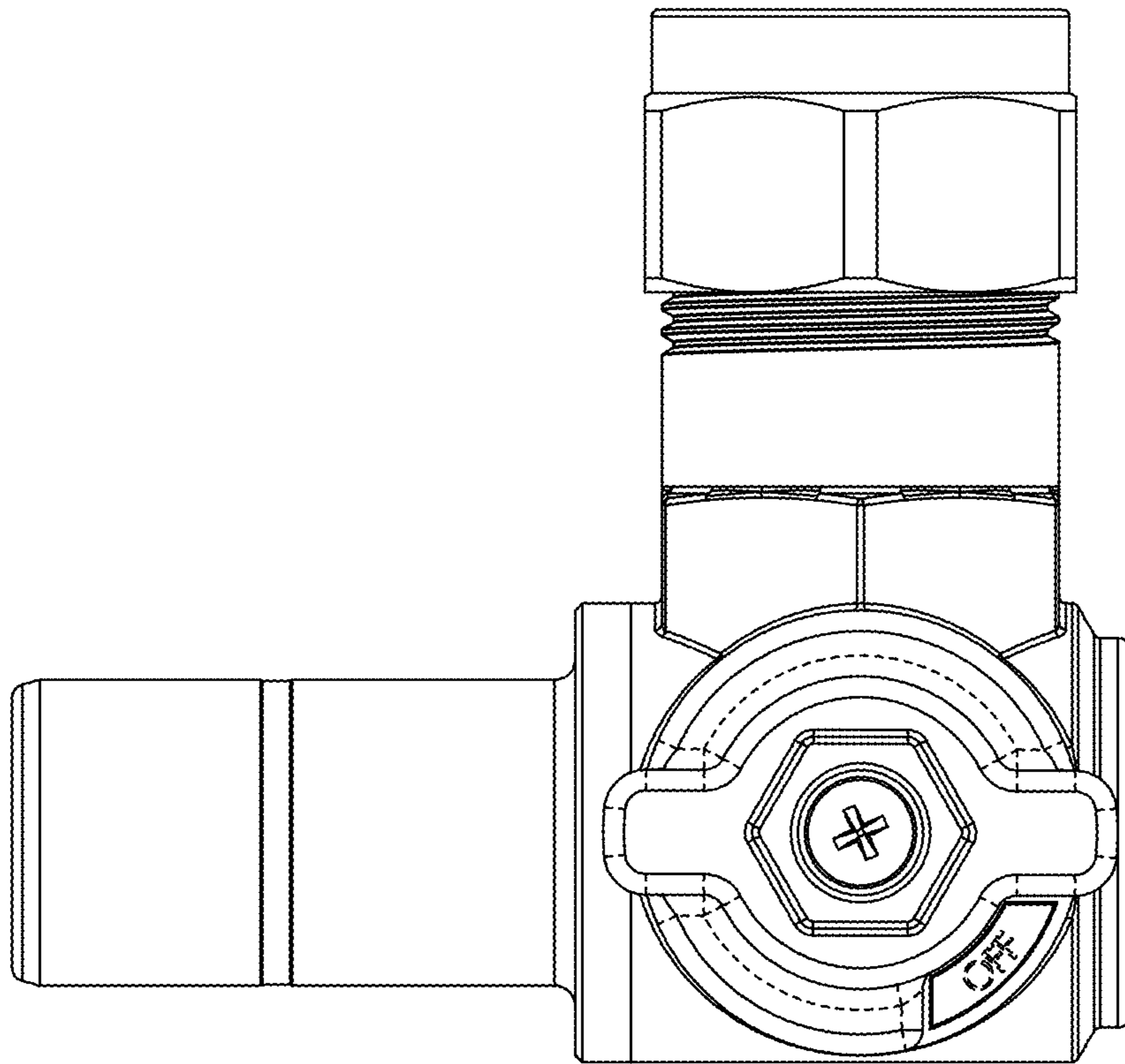


FIG. 2

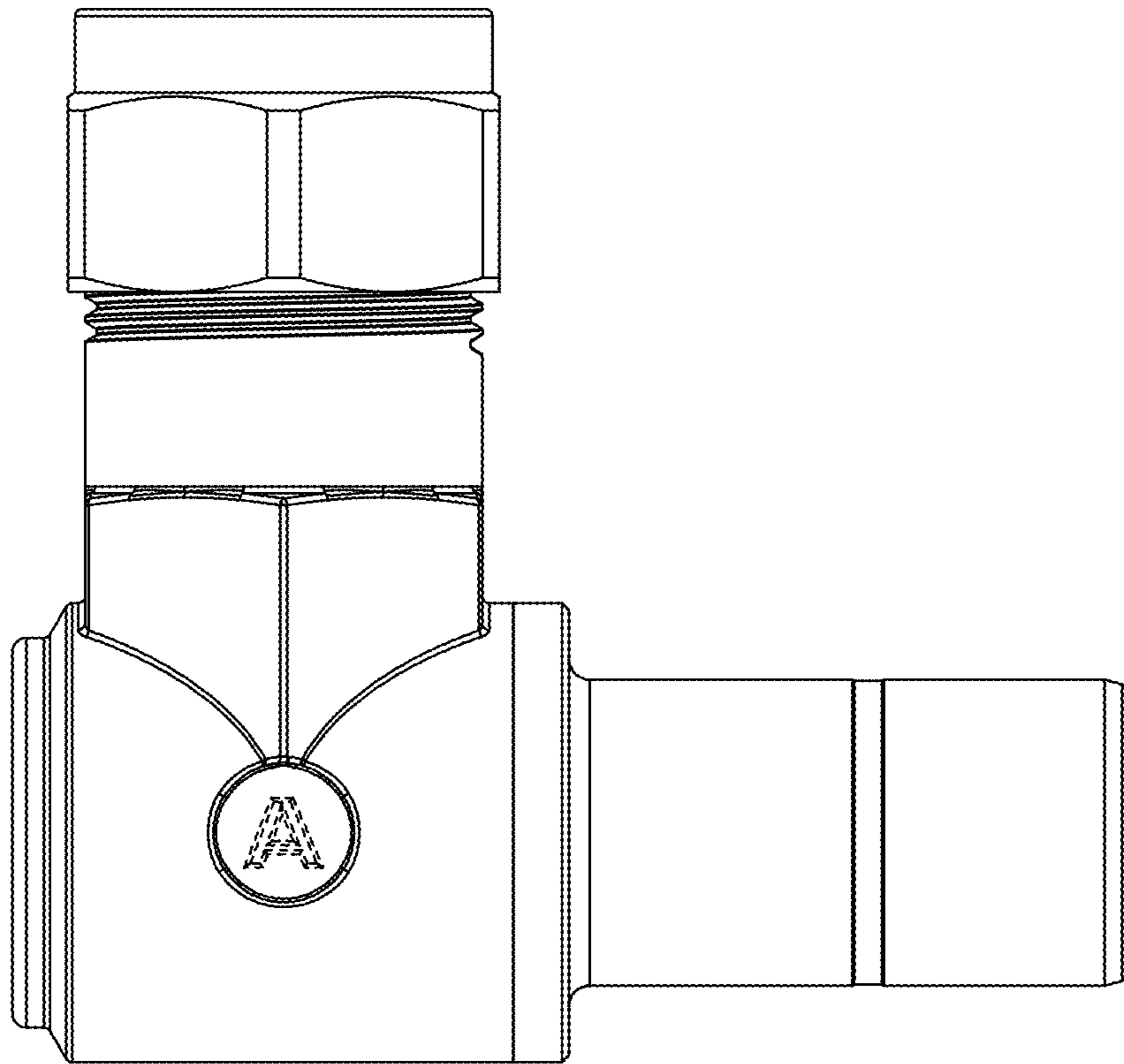


FIG. 3

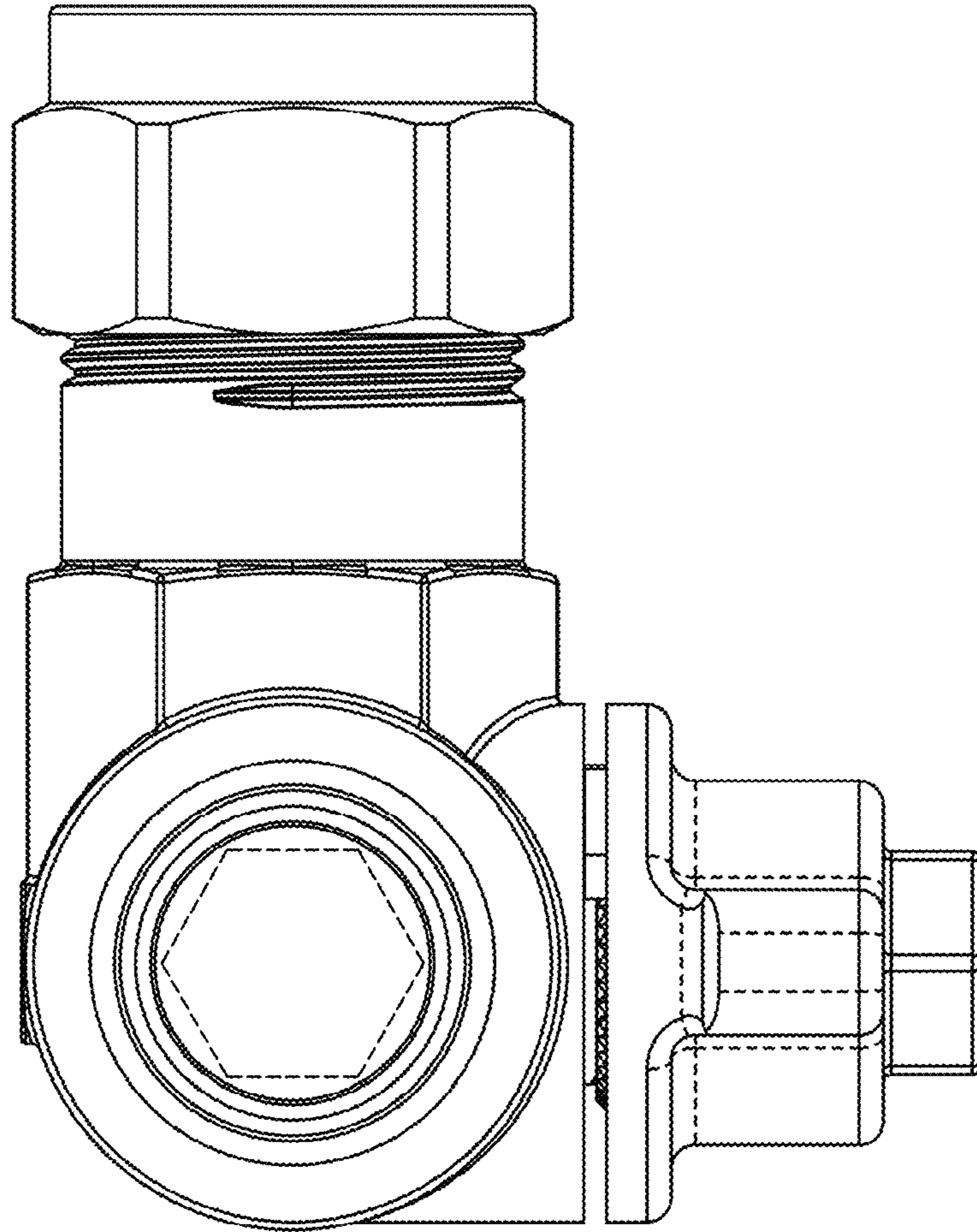


FIG. 4

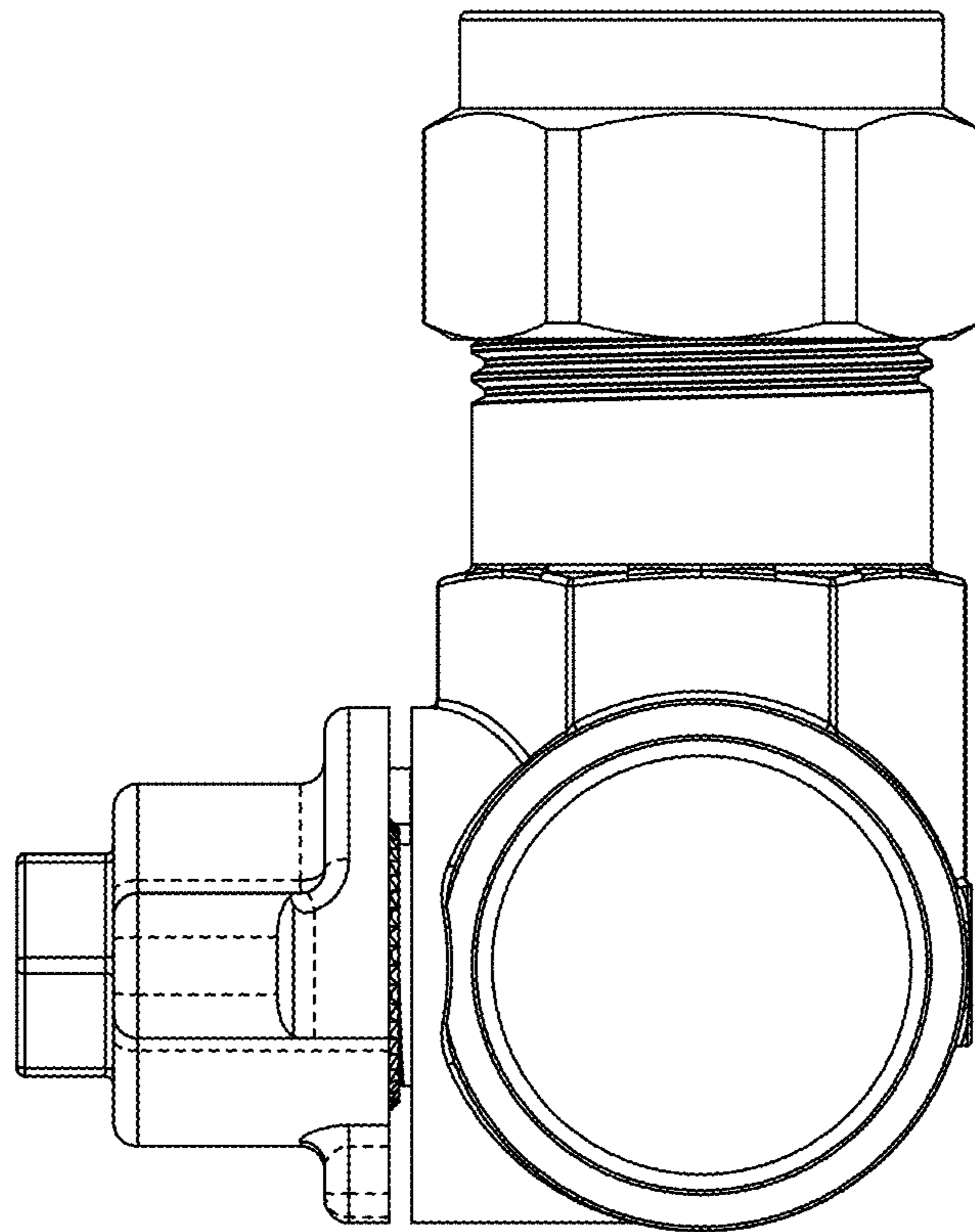


FIG. 5

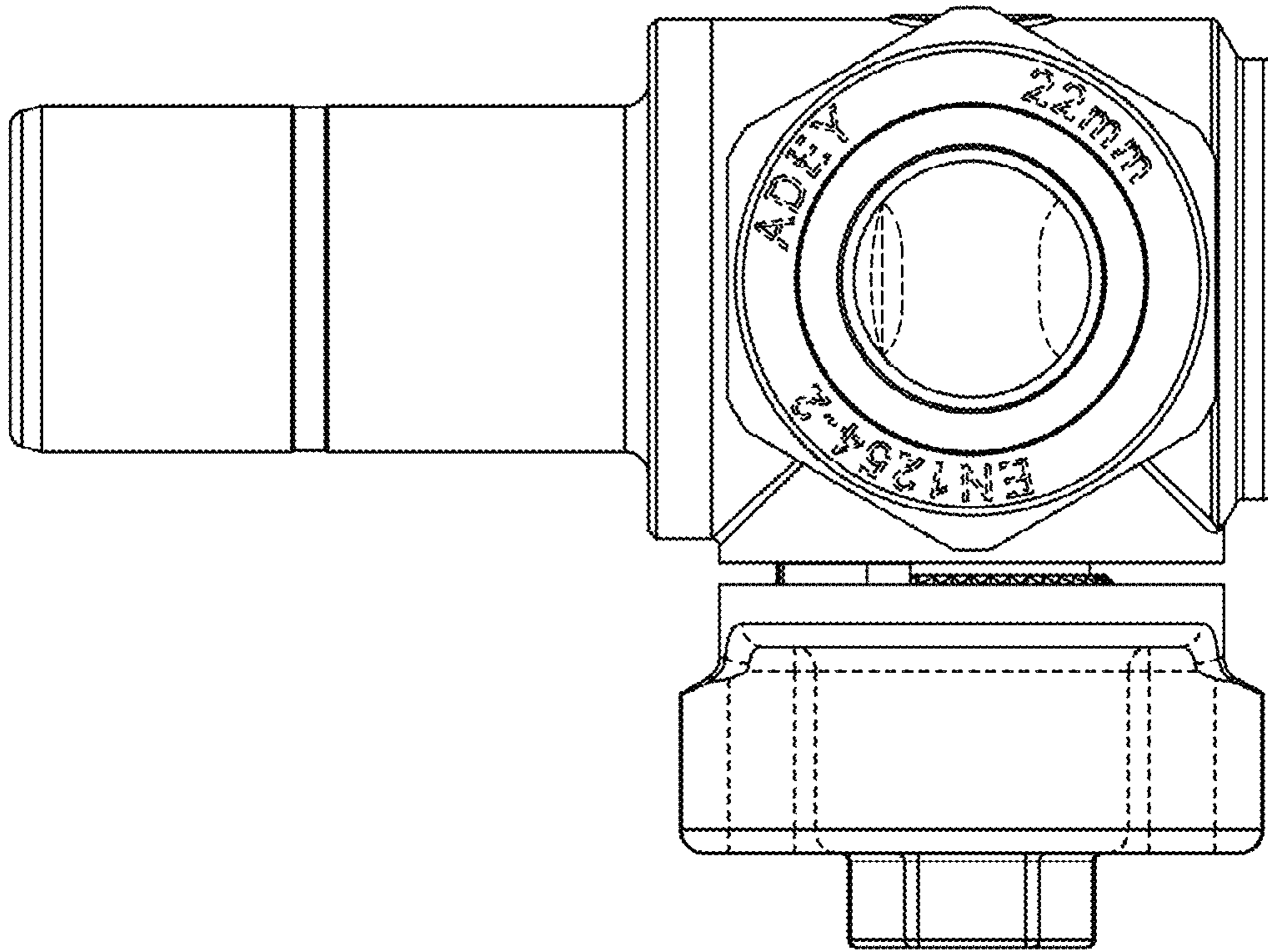


FIG. 6

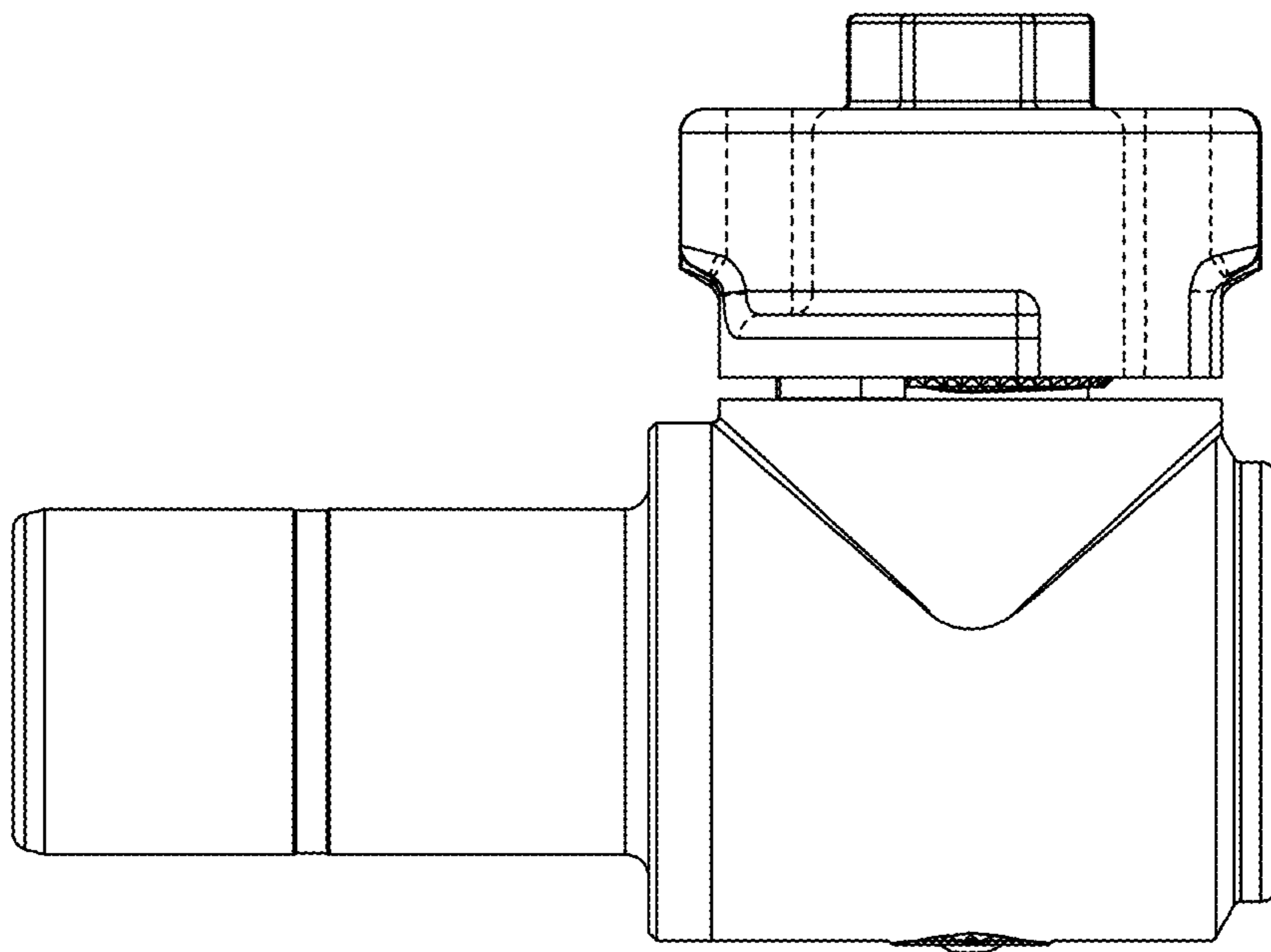


FIG. 7

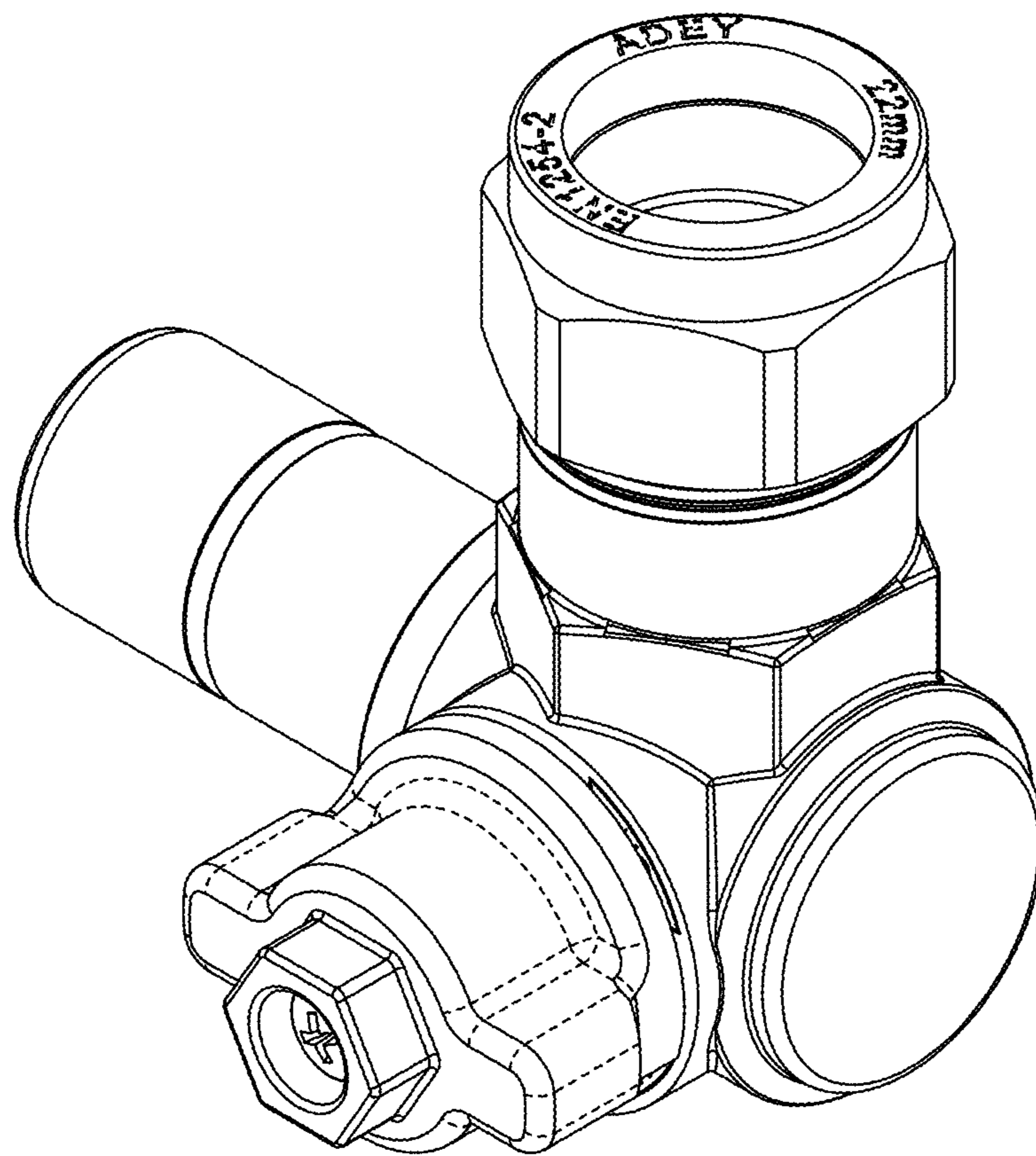


FIG. 8