



US00D796631S

(12) **United States Design Patent** (10) **Patent No.:** **US D796,631 S**
Baillette (45) **Date of Patent:** **** Sep. 5, 2017**

(54) **SPRAYER PART**
(71) Applicant: **EXEL INDUSTRIES**, Epernay (FR)
(72) Inventor: **Nicolas Baillette**, Boulogne Billancourt (FR)
(**) Term: **15 Years**
(21) Appl. No.: **35/500,522**
(22) Filed: **Jan. 6, 2016**
(80) **Hague Agreement Data**
Int. Filing Date: **Jan. 6, 2016**
Int. Reg. No.: **DM/088953**
Int. Reg. Date: **Jan. 6, 2016**
Int. Reg. Pub. Date: **Jan. 29, 2016**

D452,051 S * 12/2001 Antonio D32/17
D454,468 S * 3/2002 Mano D7/317
D477,384 S * 7/2003 Williams D23/225
D478,964 S * 8/2003 Williams D23/225
6,626,380 B1 * 9/2003 Williams B05B 9/0861
222/333
7,066,406 B2 * 6/2006 Williams B05B 15/008
239/104
D536,063 S * 1/2007 Childs D23/213
D541,903 S * 5/2007 Hopper D23/225
D543,607 S * 5/2007 Meyhoefer D23/225
D553,896 S * 10/2007 Siecke D6/634
D568,441 S * 5/2008 Ballu D23/225
D568,961 S * 5/2008 Childs D23/213
D633,175 S * 2/2011 Swain D23/225
D640,349 S * 6/2011 Swain D23/225
D654,985 S * 2/2012 Swain D23/225
D662,179 S * 6/2012 Lin D23/223
D668,744 S * 10/2012 Swain D23/225
D675,713 S * 2/2013 Christensen D23/225
D729,903 S * 5/2015 Ramere D23/225
D742,999 S * 11/2015 Moya D23/225
D743,001 S * 11/2015 Moya D23/225

(30) **Foreign Application Priority Data**
Jul. 7, 2015 (EM) 002732628-0001
(51) **LOC (10) Cl.** **23-01**
(52) **U.S. Cl.**
USPC **D23/225**
(Continued)CPC **B65D 83/20** (2013.01)
(58) **Field of Classification Search**
USPC D23/223-227, 213; 239/302, 332-337,
239/373
CPC B65D 83/20
See application file for complete search history.

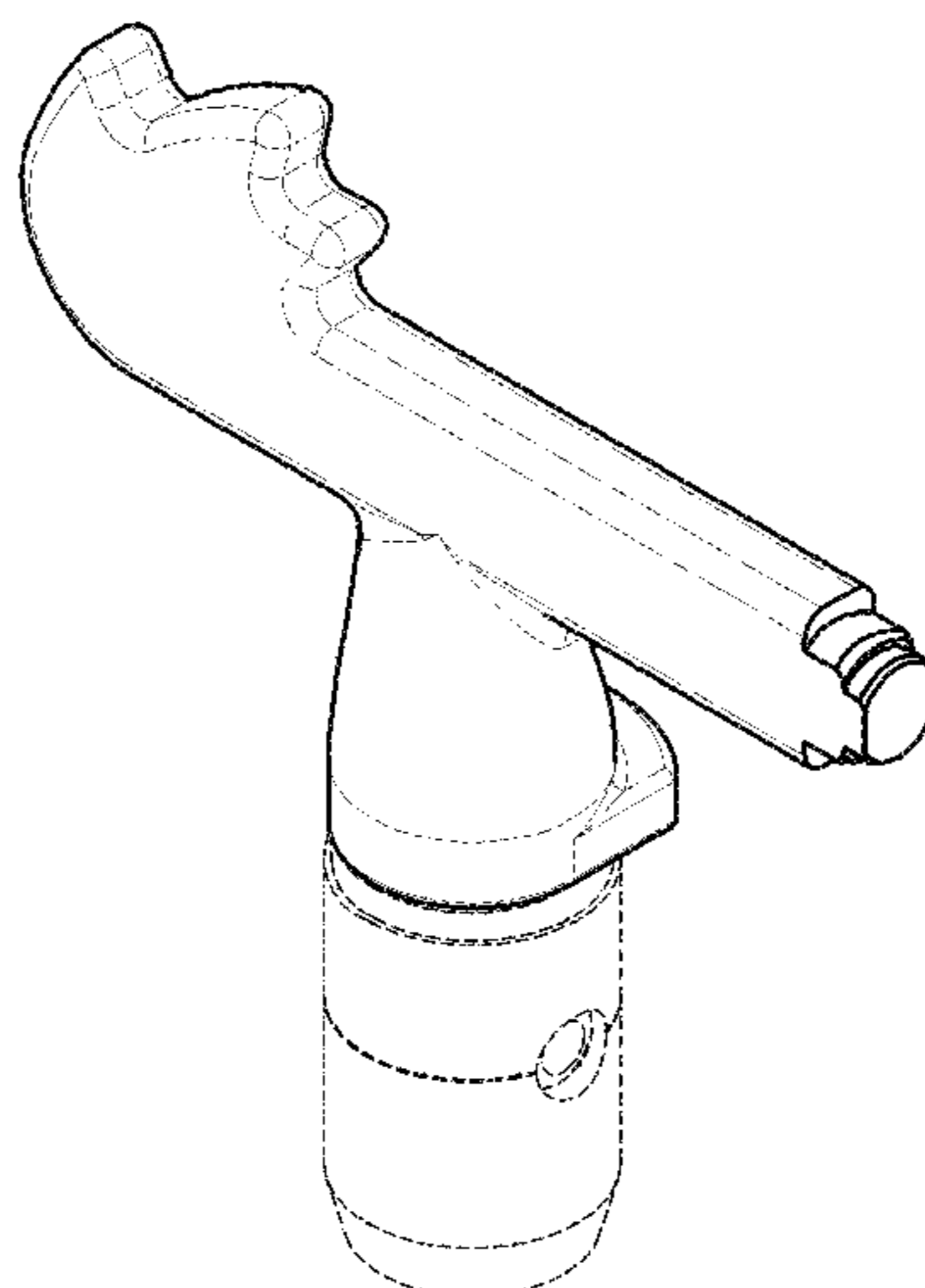
(56) **References Cited**
U.S. PATENT DOCUMENTS
D235,063 S * 5/1975 Gunzel, Jr. D23/225
3,940,069 A * 2/1976 Gunzel, Jr. B05B 7/12
222/331
D322,838 S * 12/1991 Hagedorn D23/225
D393,187 S * 4/1998 Shfaram D8/1
D432,372 S * 10/2000 Iacofano D23/225
D449,138 S * 10/2001 Dodson D32/18

(Continued)
Primary Examiner — Richard E Chilcot

(57) **CLAIM**
The ornamental design for a sprayer part, as shown and described.

DESCRIPTION
1. Sprayer part
1.1 : Perspective
1.2 : Front
1.3 : Back
1.4 : Right
1.5 : Left
1.6 : Top
1.7 : Bottom
Elements drawn in broken lines show environmental structure of the spray gun and form no part of the claimed design.
A handle for a reversible nozzle of a spray gun.

1 Claim, 7 Drawing Sheets



(56)

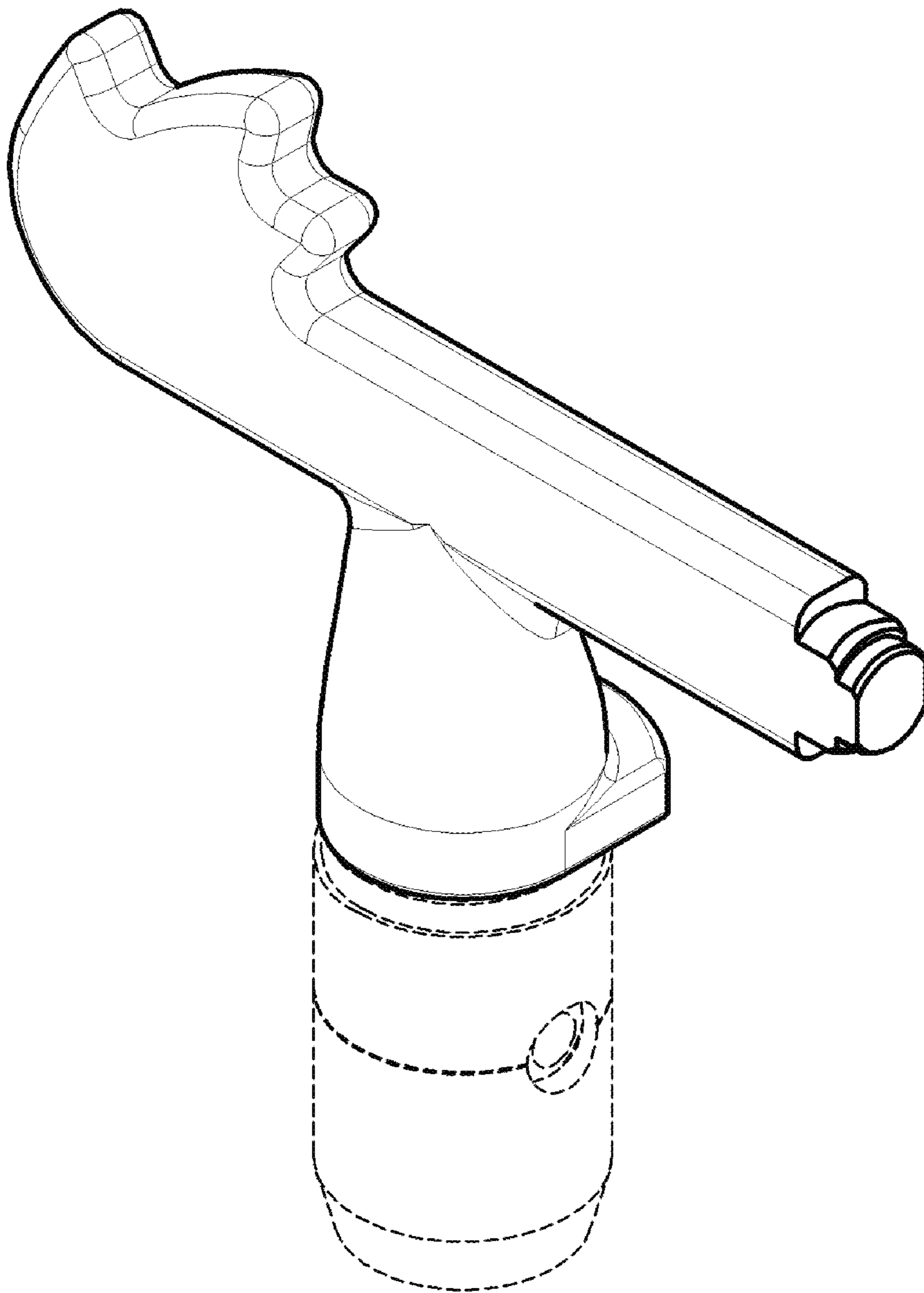
References Cited

U.S. PATENT DOCUMENTS

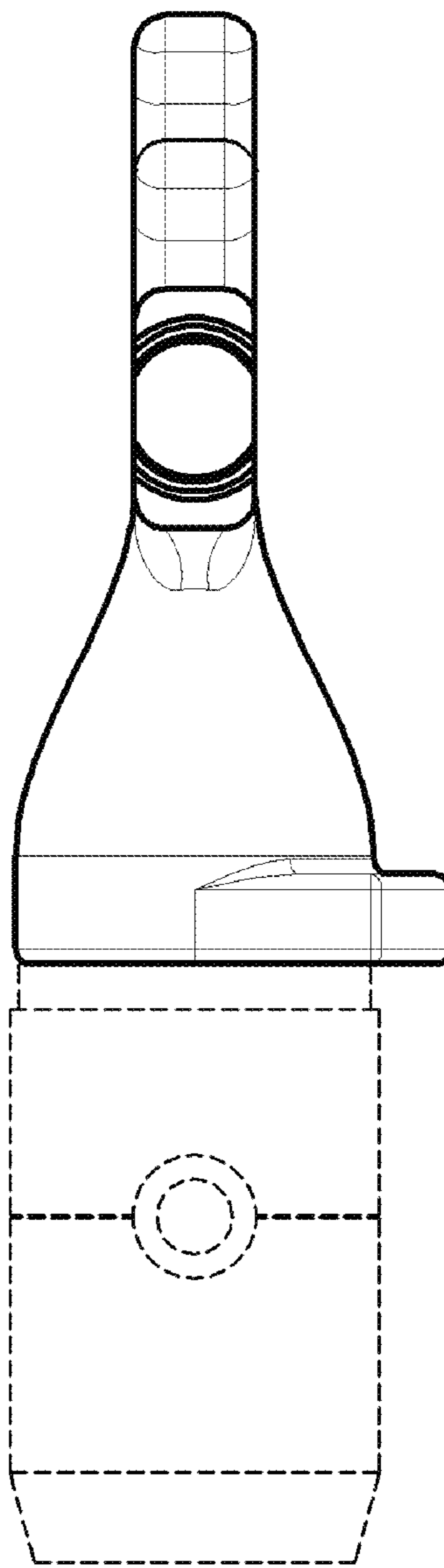
D760,870 S * 7/2016 Popek D23/225
D761,937 S * 7/2016 Popek D23/225

* cited by examiner

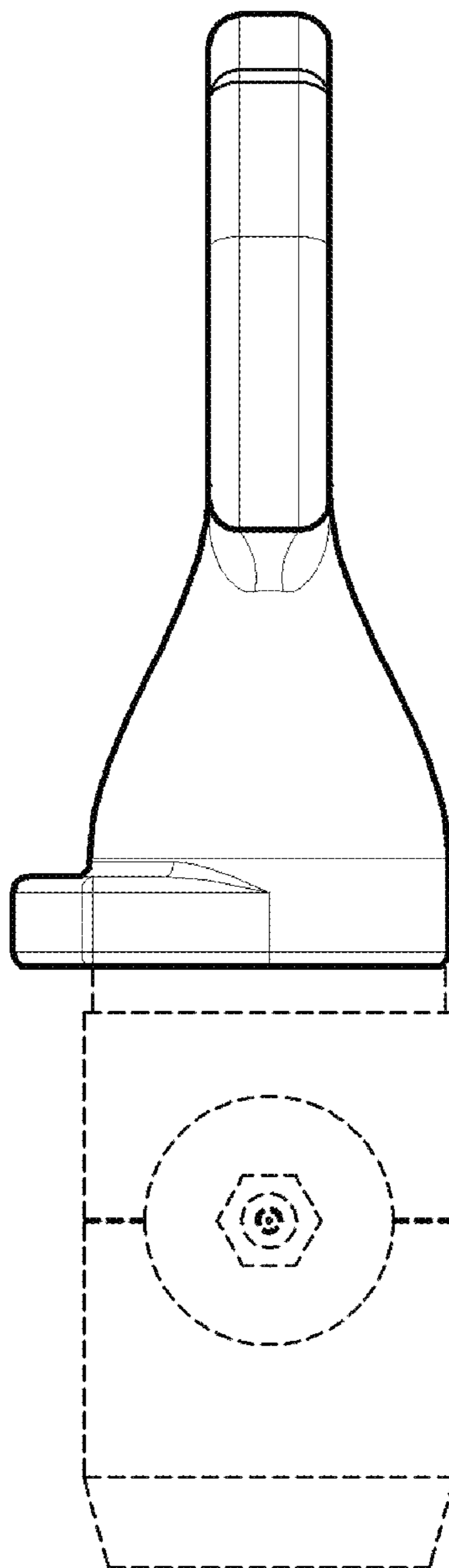
1.1



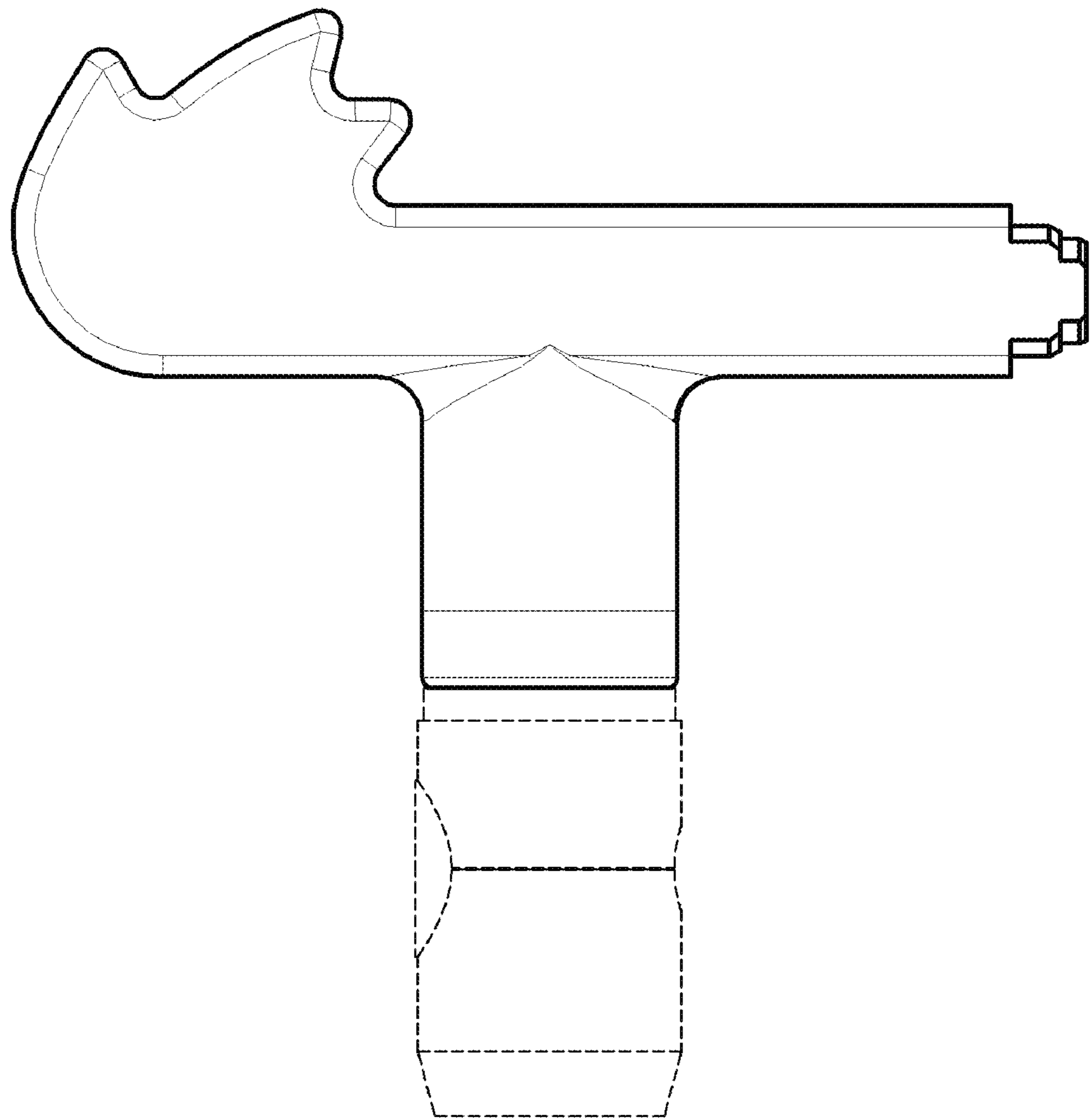
1.2



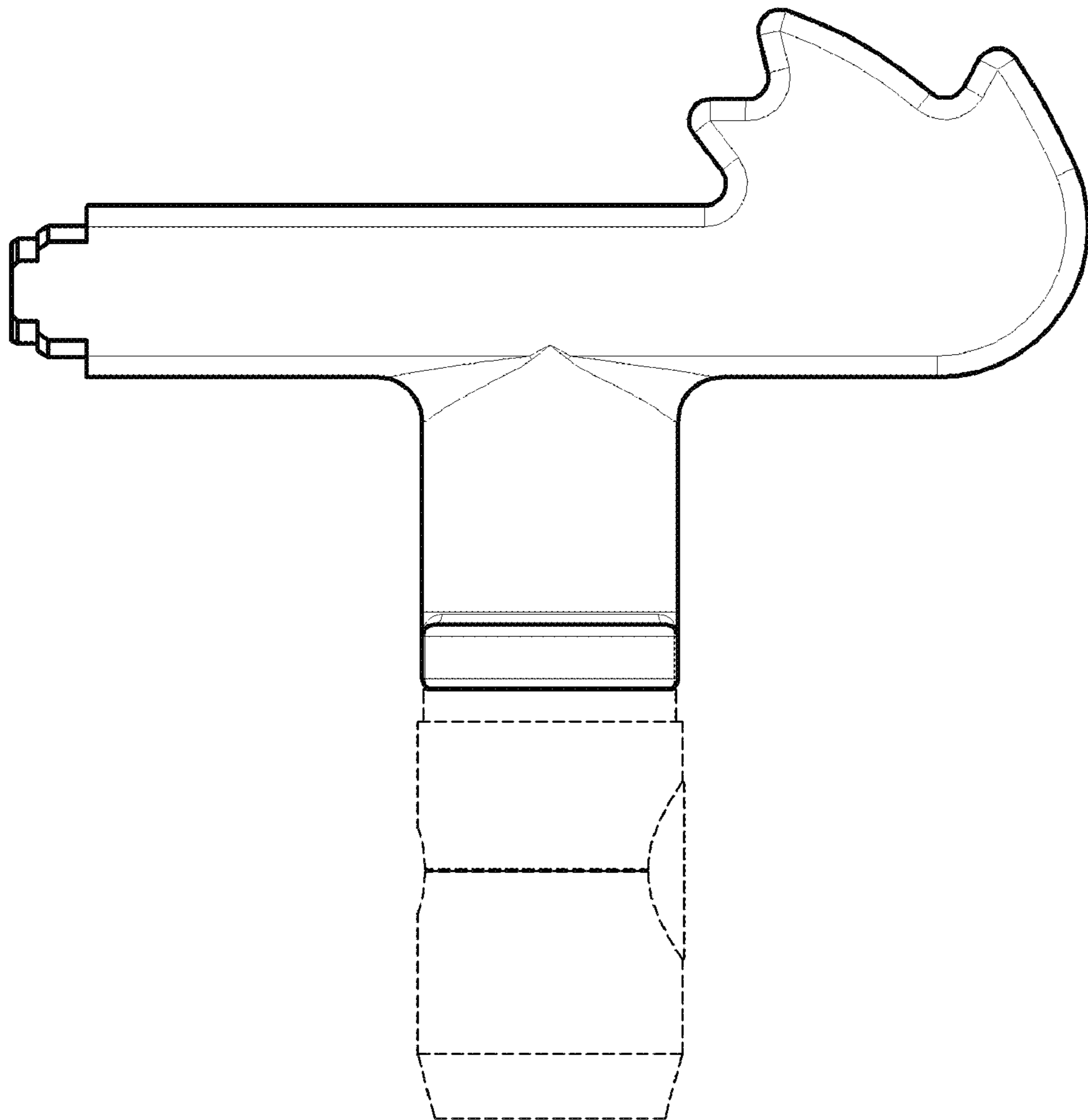
1.3



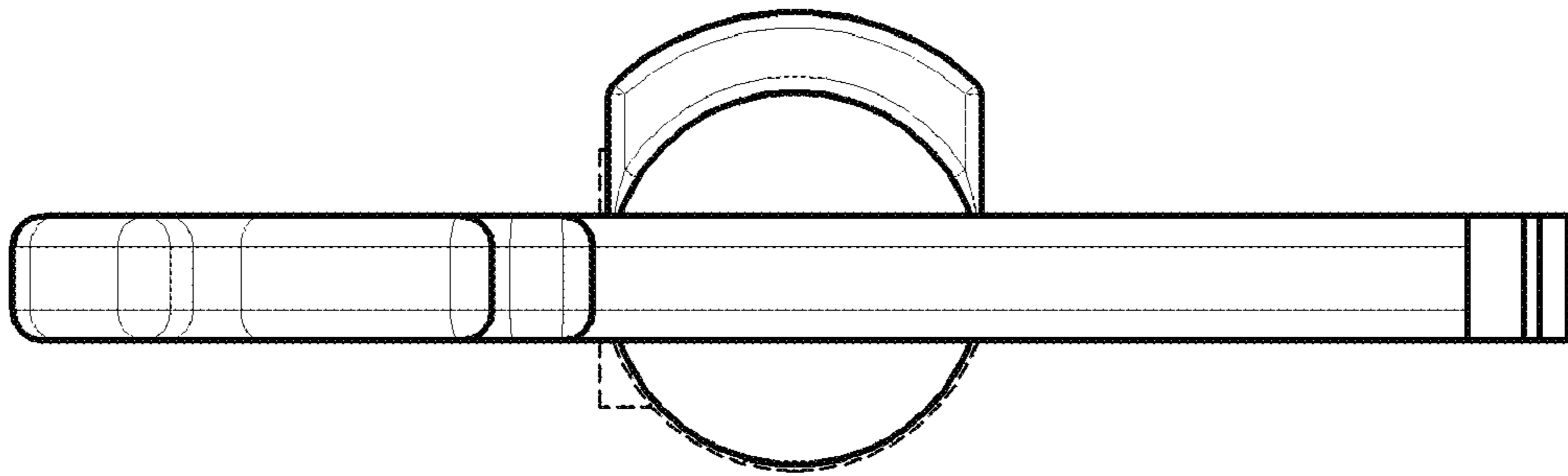
1.4



1.5



1.6



1.7

