



US00D796629S

(12) **United States Design Patent**  
**Chen**

(10) **Patent No.:** **US D796,629 S**  
(45) **Date of Patent:** **\*\* Sep. 5, 2017**

(54) **FASTENING PIECE OF SPRINKLER HEAD**

(71) Applicant: **PROTECTOR SAFETY IND., LTD.**,  
Taoyuan County (TW)

(72) Inventor: **Jung-Wen Chen**, Taoyuan County  
(TW)

(73) Assignee: **PROTECTOR SAFETY IND., LTD.**,  
Taoyuan County (TW)

(\*\*) Term: **15 Years**

(21) Appl. No.: **29/557,684**

(22) Filed: **Mar. 10, 2016**

(30) **Foreign Application Priority Data**

Dec. 2, 2015 (TW) ..... 104306692

(51) **LOC (10) Cl.** ..... **23-01**

(52) **U.S. Cl.**  
USPC ..... **D23/214**

(58) **Field of Classification Search**  
USPC ..... D23/214-221; D8/350, 352, 382, 399,  
D8/349  
CPC ..... A62C 35/68; A62C 37/09; F16B 39/108;  
F16L 41/088  
See application file for complete search history.

(56) **References Cited**

**U.S. PATENT DOCUMENTS**

1,703,649 A \* 2/1929 Weinstein ..... F21V 21/02  
248/343  
D227,217 S \* 6/1973 Pick ..... D8/356  
D609,552 S \* 2/2010 Anderson ..... D8/349  
D644,721 S \* 9/2011 Bond ..... D23/269  
D658,972 S \* 5/2012 Virgin ..... D8/349

8,261,379 B2 \* 9/2012 Miller ..... E03F 5/0407  
4/679  
D679,170 S \* 4/2013 Else ..... D8/349  
D683,426 S \* 5/2013 Koiwa ..... D23/214  
D714,917 S \* 10/2014 Miller ..... D23/269  
D768,815 S \* 10/2016 Chen ..... D23/214  
2011/0027039 A1 \* 2/2011 Blair ..... B21D 53/20  
411/149  
2014/0252724 A1 \* 9/2014 Guidi ..... F16J 15/061  
277/630  
2015/0076771 A1 \* 3/2015 Stout ..... B21D 13/00  
277/595  
2015/0240859 A1 \* 8/2015 Banks ..... F16B 39/108  
411/134

\* cited by examiner

*Primary Examiner* — Sheryl Lane

*Assistant Examiner* — Calvin E Vansant

(74) *Attorney, Agent, or Firm* — Chun-Ming Shih

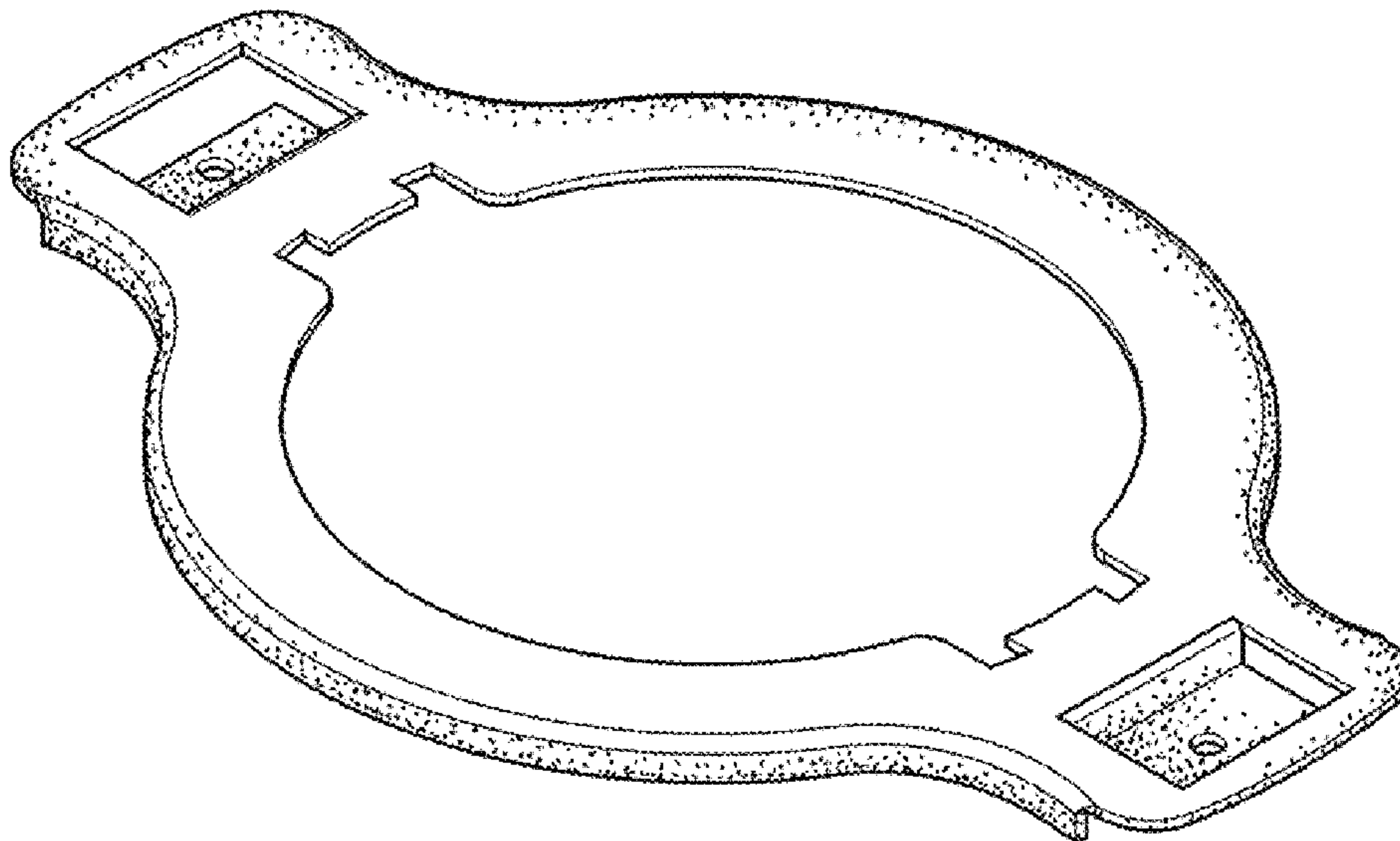
(57) **CLAIM**

The ornamental design for a fastening piece of sprinkler head, as shown and described.

**DESCRIPTION**

FIG. 1 is a perspective view of a fastening piece of sprinkler head showing the new design;  
FIG. 2 is a front view thereof;  
FIG. 3 is a rear view thereof;  
FIG. 4 is a left side elevational view thereof;  
FIG. 5 is a right side elevational view thereof;  
FIG. 6 is a top view thereof;  
FIG. 7 is a bottom view thereof.  
FIG. 8 is another perspective view showing the fastening piece of sprinkler head; and,  
FIG. 9 shows a sprinkler head with the fastening piece.  
The broken lines in the drawing depict environmental subject matter only and form no part of the claimed design.

**1 Claim, 5 Drawing Sheets**



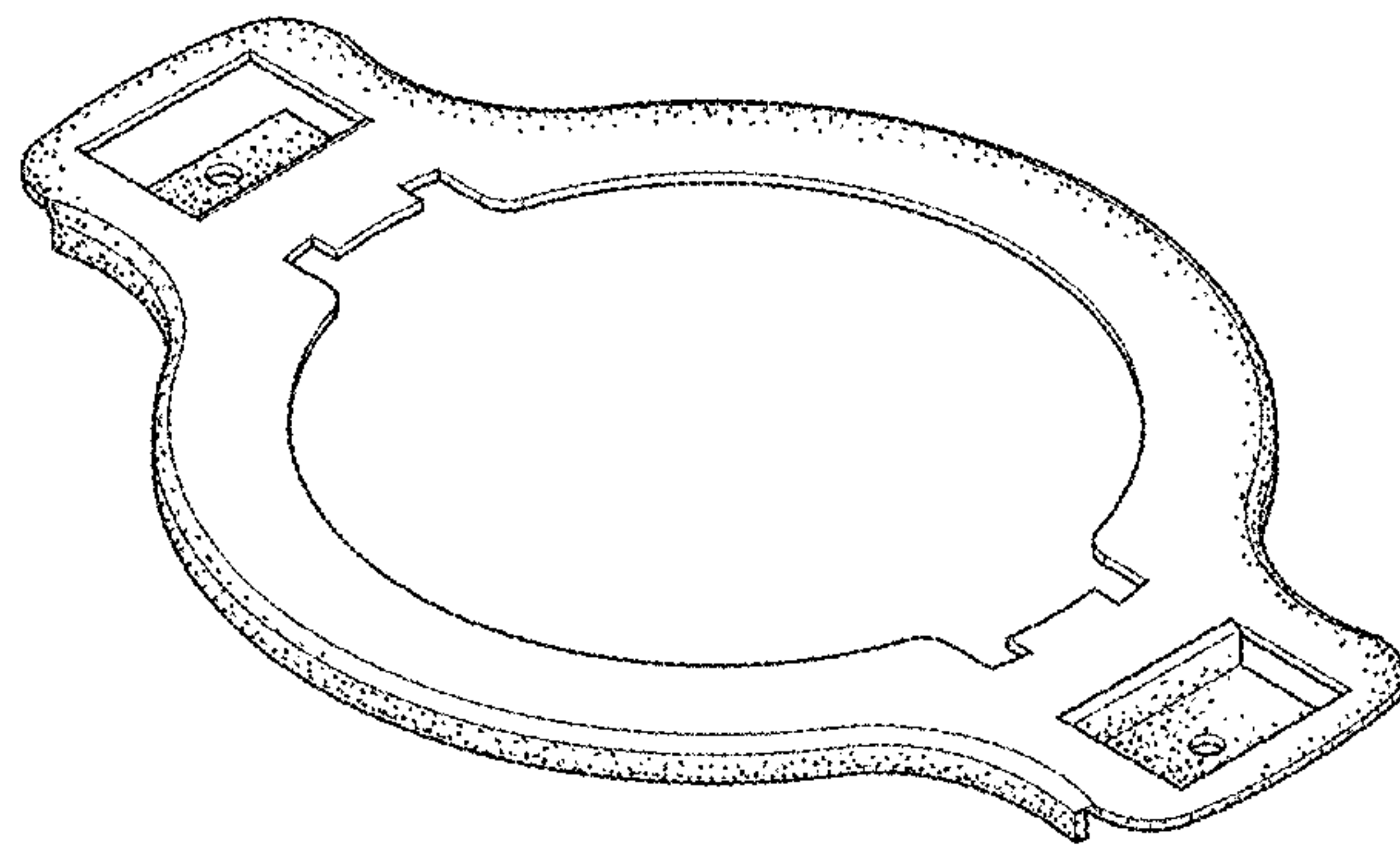


Fig. 1

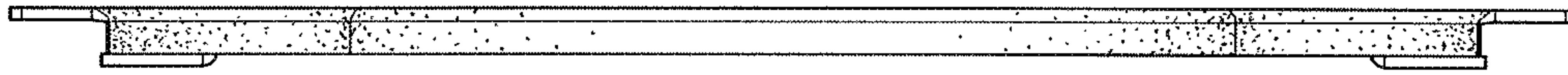


Fig. 2

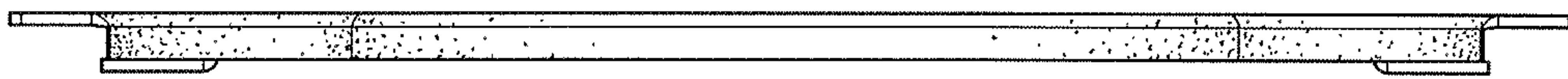


Fig. 3

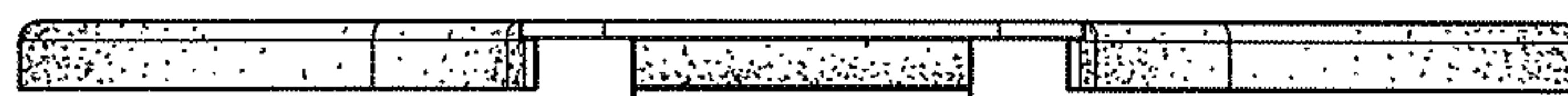


Fig. 4



Fig. 5

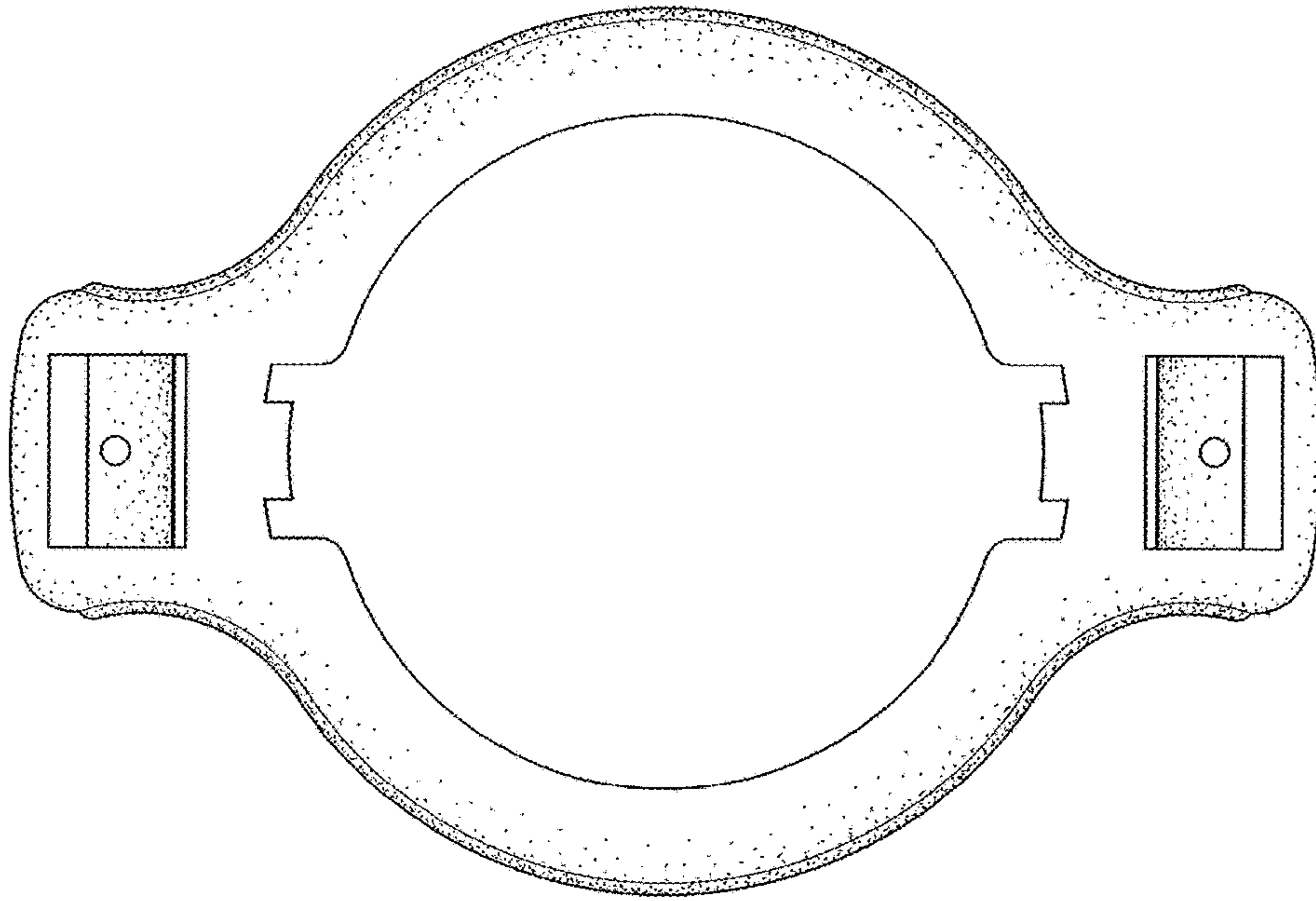


Fig. 6

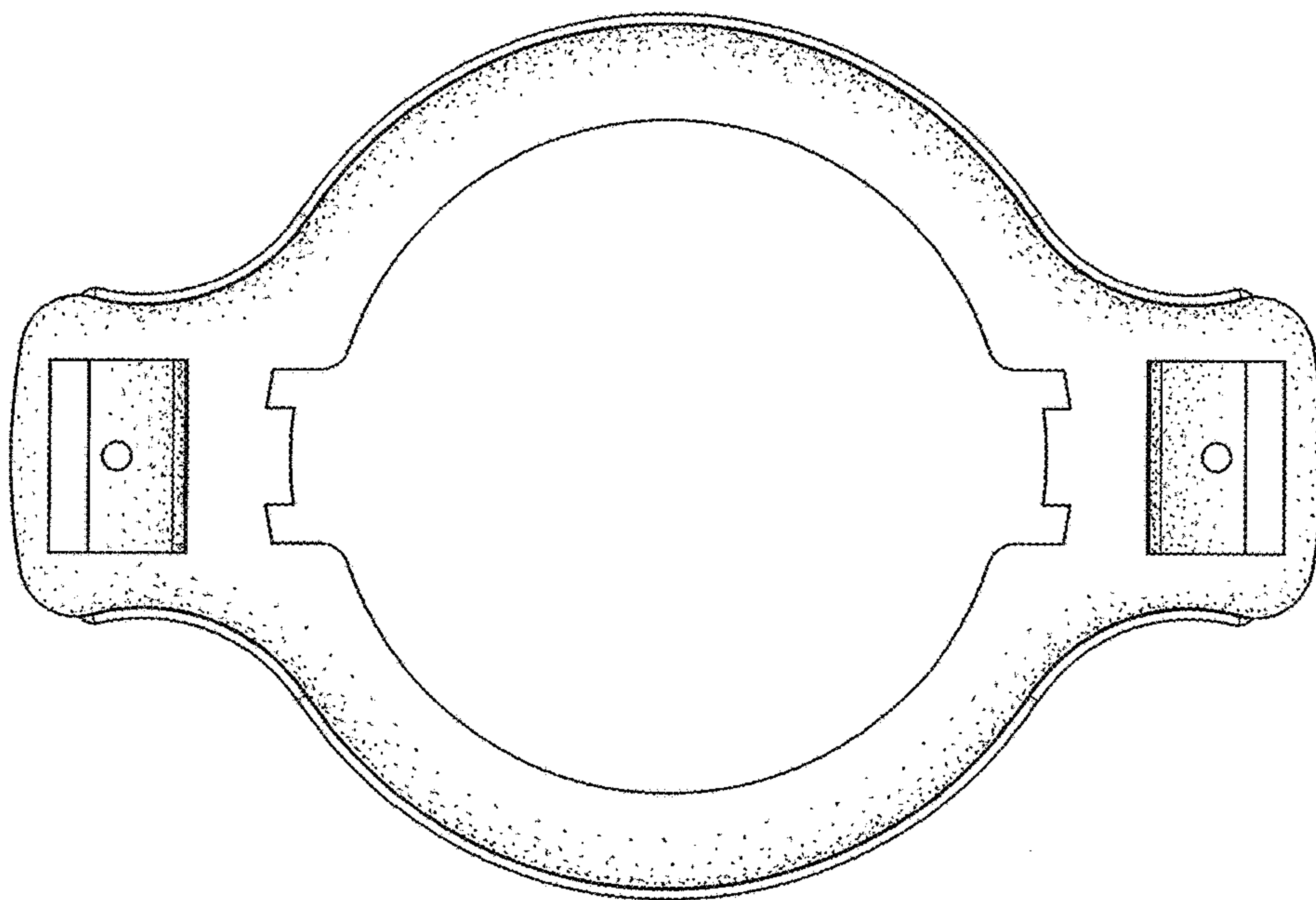


Fig. 7

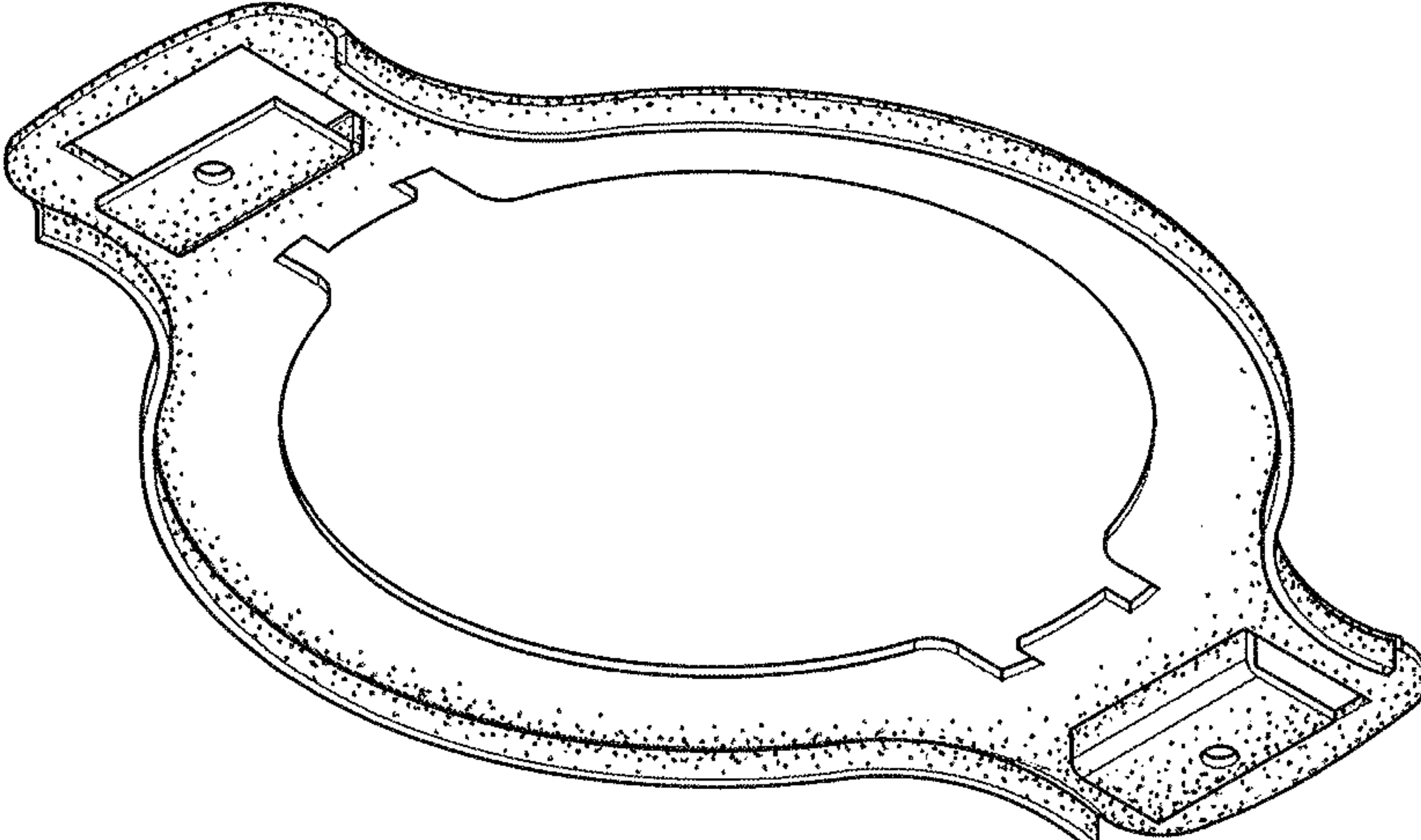


Fig. 8



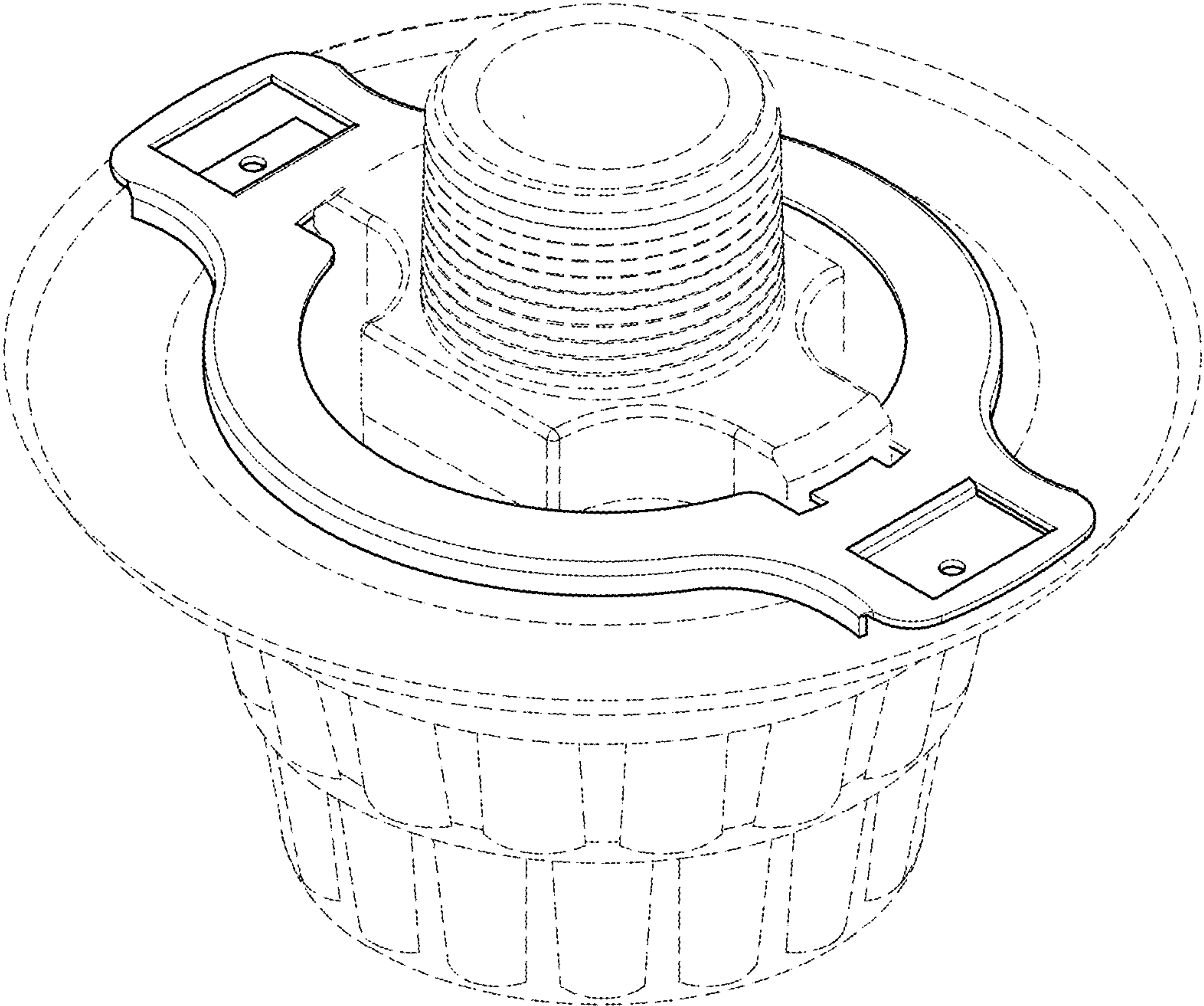


Fig. 9