



US00D796628S

(12) **United States Design Patent**
Buckley et al.

(10) **Patent No.:** **US D796,628 S**

(45) **Date of Patent:** **** Sep. 5, 2017**

(54) **WATER CONDITIONING DEVICE**

(71) Applicant: **Unger Marketing International, LLC**,
Bridgeport, CT (US)

(72) Inventors: **James M. Buckley**, New Hartford, CT
(US); **Stephen Huda**, Shelton, CT
(US); **Kai Hirsch**, Cologne (DE)

(73) Assignee: **UNGER MARKETING**
INTERNATIONAL, LLC, Bridgeport,
CT (US)

(**) Term: **15 Years**

(21) Appl. No.: **29/566,199**

(22) Filed: **May 27, 2016**

(51) **LOC (10) Cl.** **23-01**

(52) **U.S. Cl.**
USPC **D23/207**

(58) **Field of Classification Search**
USPC D23/207-209; 239/146, 147; 210/241,
210/416.1, 416.3
CPC E03F 7/10
See application file for complete search history.

(56) **References Cited**

U.S. PATENT DOCUMENTS

3,473,662	A	*	10/1969	Kudlaty	B01D 35/06	210/100
D328,777	S	*	8/1992	Thalmann	D23/209	
D332,993	S	*	2/1993	Dea	D23/207	
D357,303	S	*	4/1995	Karlsson	D23/209	
5,597,601	A	*	1/1997	Griffin	A47J 37/1223	210/167.28
D428,468	S	*	7/2000	Dea	D23/200	
6,207,051	B1	*	3/2001	Anderson	B01D 46/2411	210/237
D477,049	S	*	7/2003	Steinfels	D23/207	
D480,447	S	*	10/2003	Cook	D23/200	
7,223,337	B1	*	5/2007	Franzino	F28F 25/00	210/241

D577,415	S	*	9/2008	Reid	D23/202	
D663,008	S	*	7/2012	Varini	D23/207	
9,033,258	B2	*	5/2015	Schwab	B08B 3/026	239/146
D748,221	S	*	1/2016	Kemper	D23/207	
D779,629	S	*	2/2017	Kemper	D23/207	

* cited by examiner

Primary Examiner — Robin V Webster

(74) *Attorney, Agent, or Firm* — Ohlandt, Greeley,
Ruggiero & Perle, L.L.P.

(57) **CLAIM**

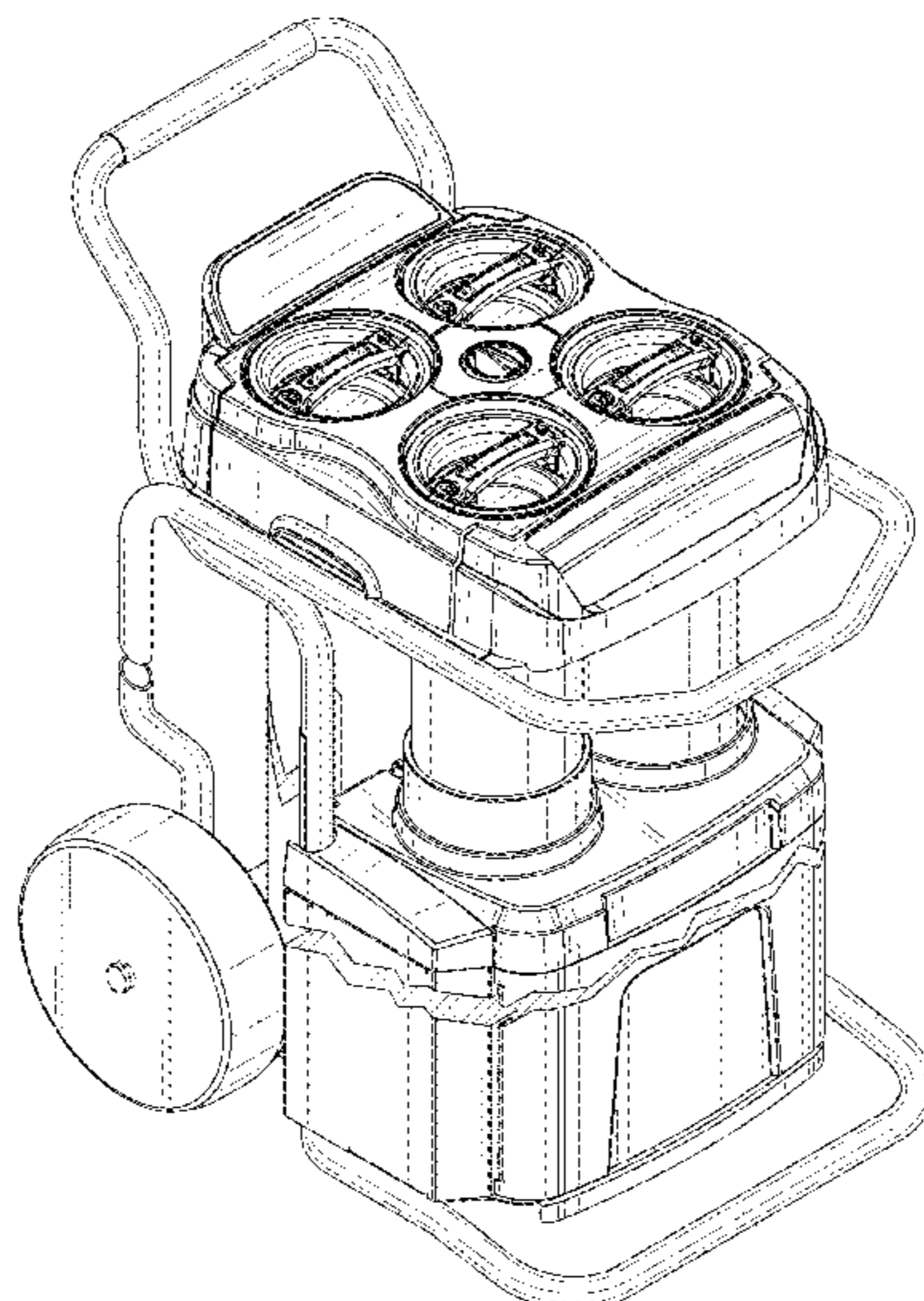
The ornamental design for a water conditioning device, as shown and described.

DESCRIPTION

FIG. 1 is a top, right perspective view of a water conditioning device according to the present disclosure;
 FIG. 2 is a top, left perspective view of the water conditioning device of FIG. 1;
 FIG. 3 is a top view of the water conditioning device of FIG. 1;
 FIG. 4 is a bottom view of the water conditioning device of FIG. 1;
 FIG. 5 is a front view of the water conditioning device of FIG. 1;
 FIG. 6 is a rear view of the water conditioning device of FIG. 1;
 FIG. 7 is a right view of the water conditioning device of FIG. 1; and,
 FIG. 8 is a left view of the water conditioning device of FIG. 1.

The water conditioning device is shown with symbolic break in it's length. The appearance of any portion of the article between the break lines forms no part of the claimed design. The broken lines in the drawings illustrate boundaries that form no part of the claimed design.

1 Claim, 8 Drawing Sheets



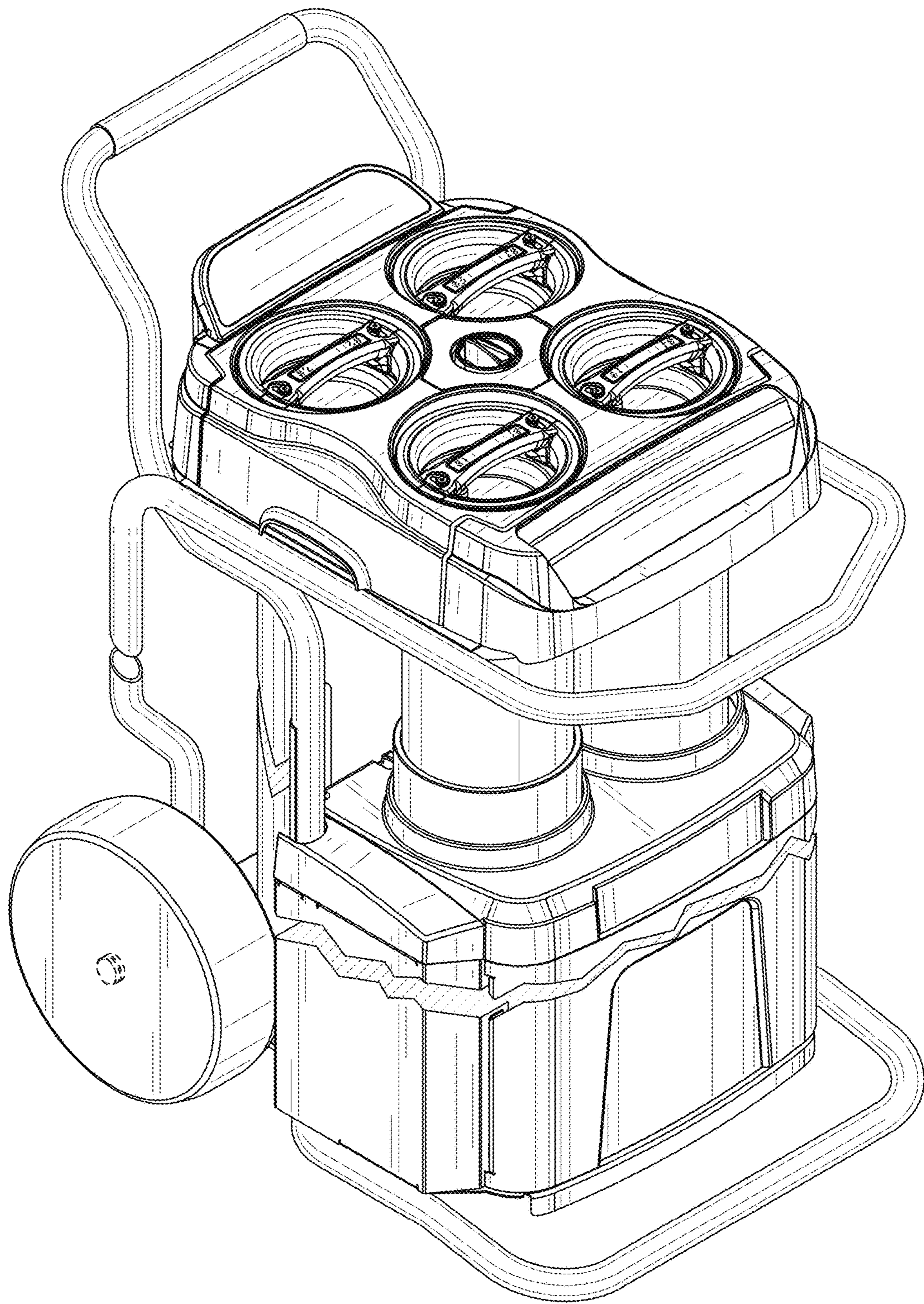


FIG. 1

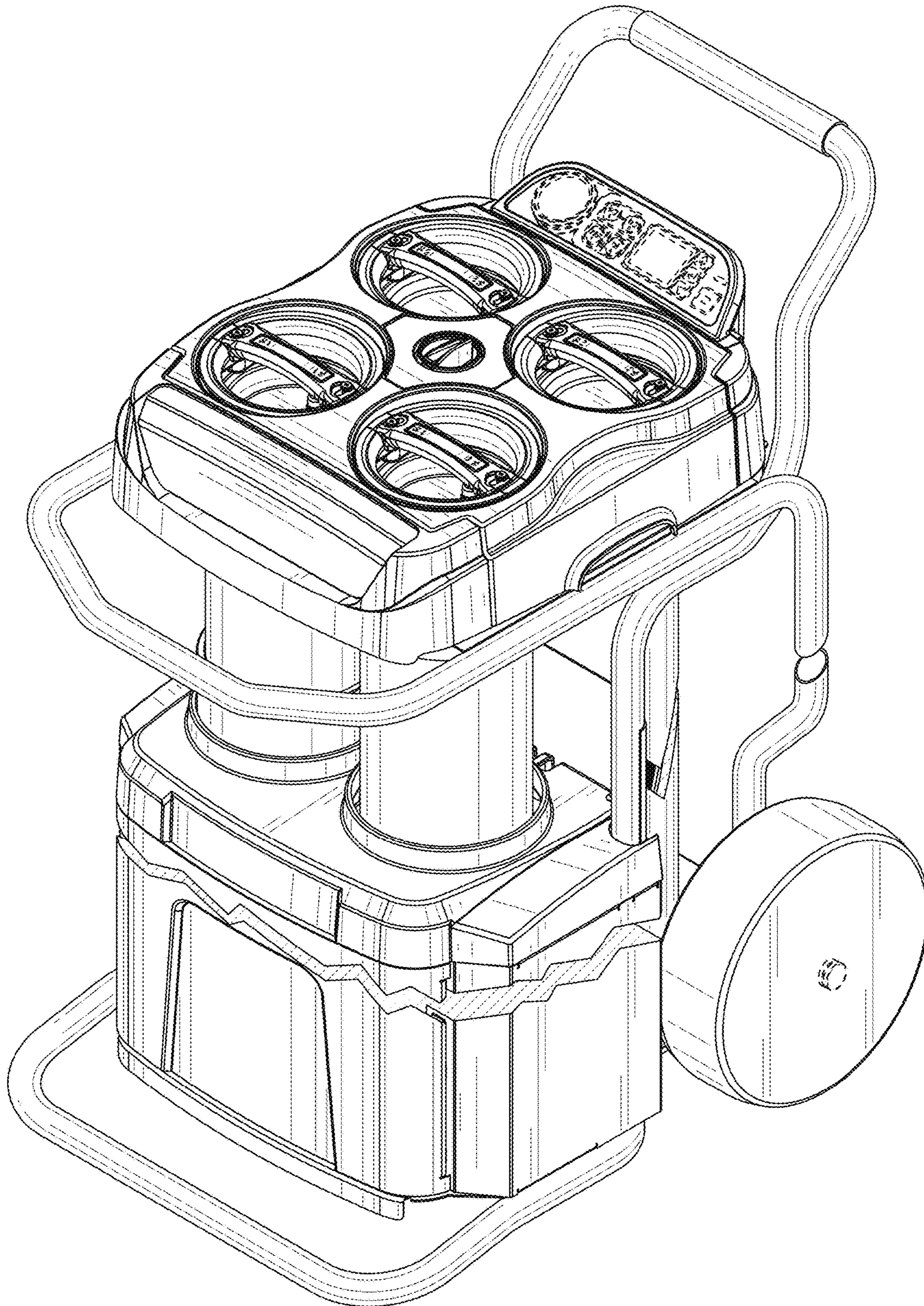


FIG. 2

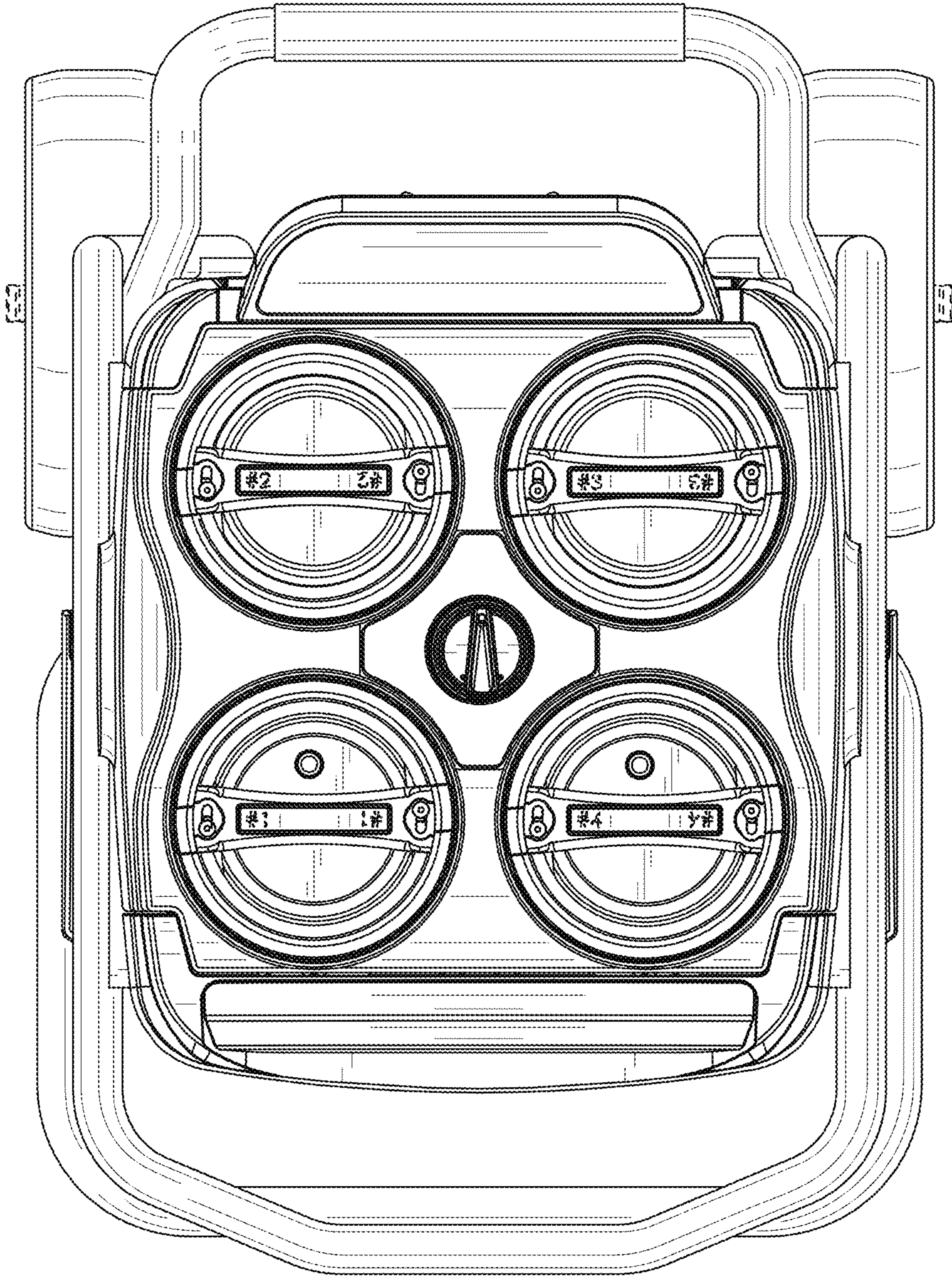


FIG. 3

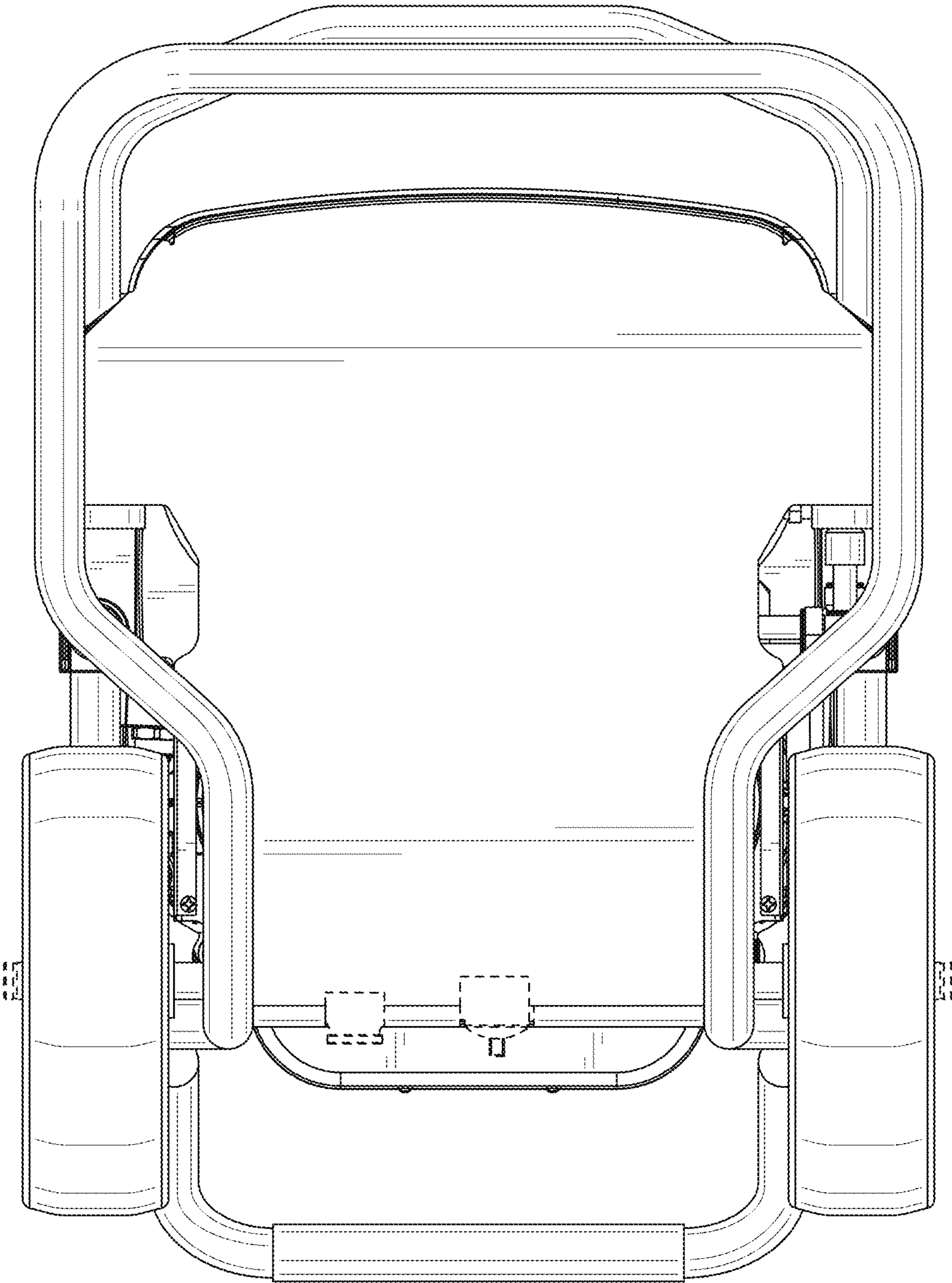


FIG. 4

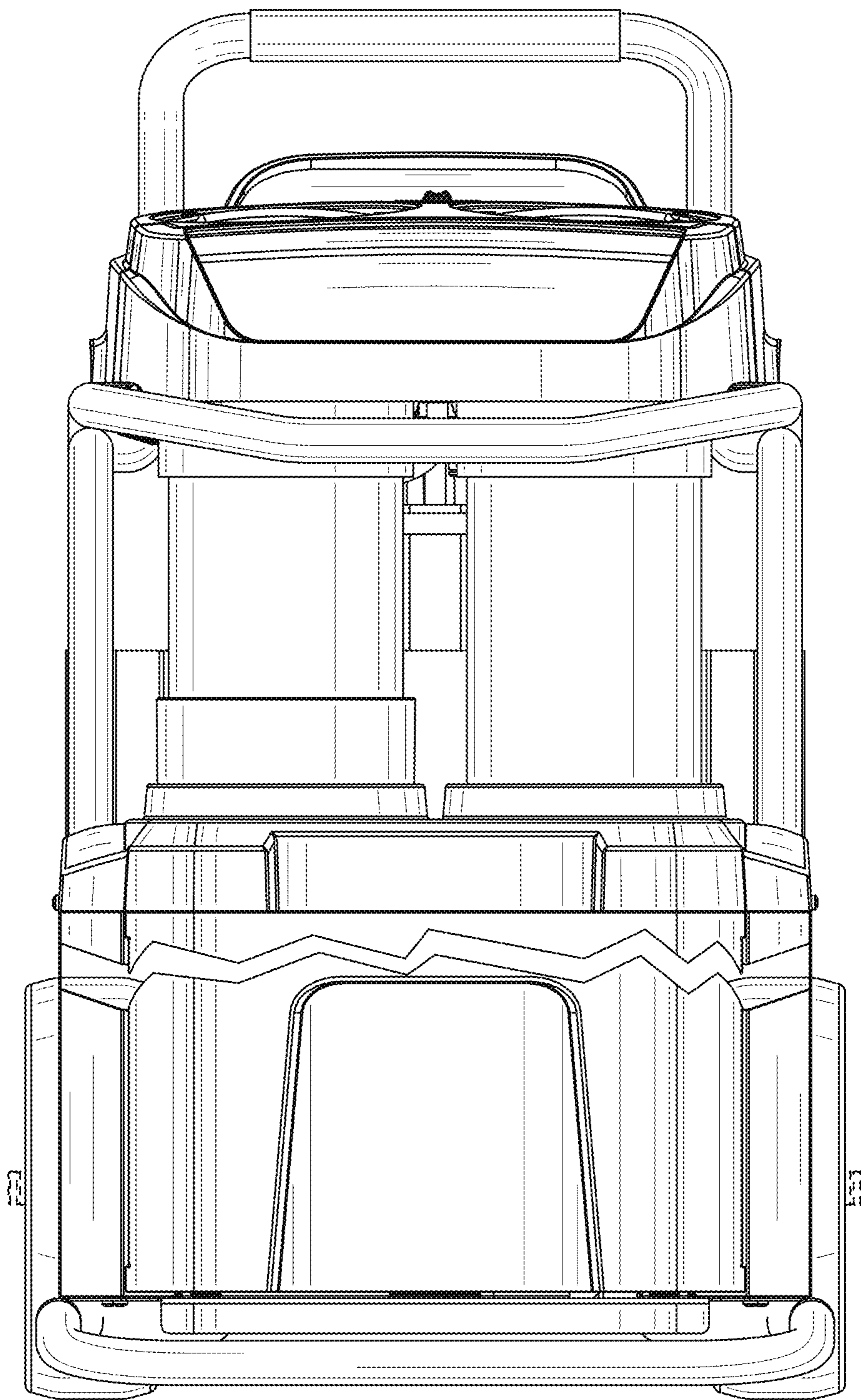


FIG. 5

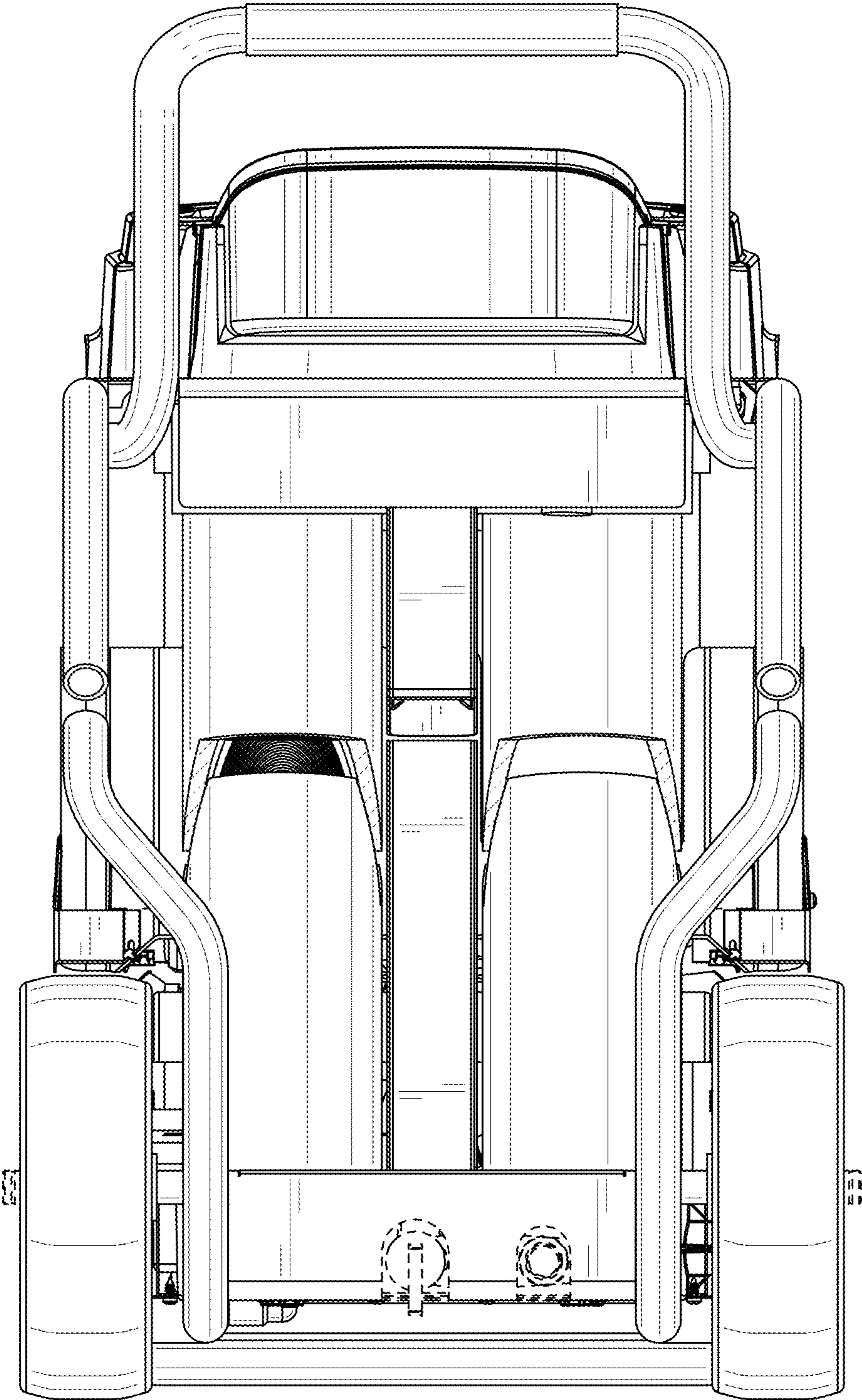


FIG. 6

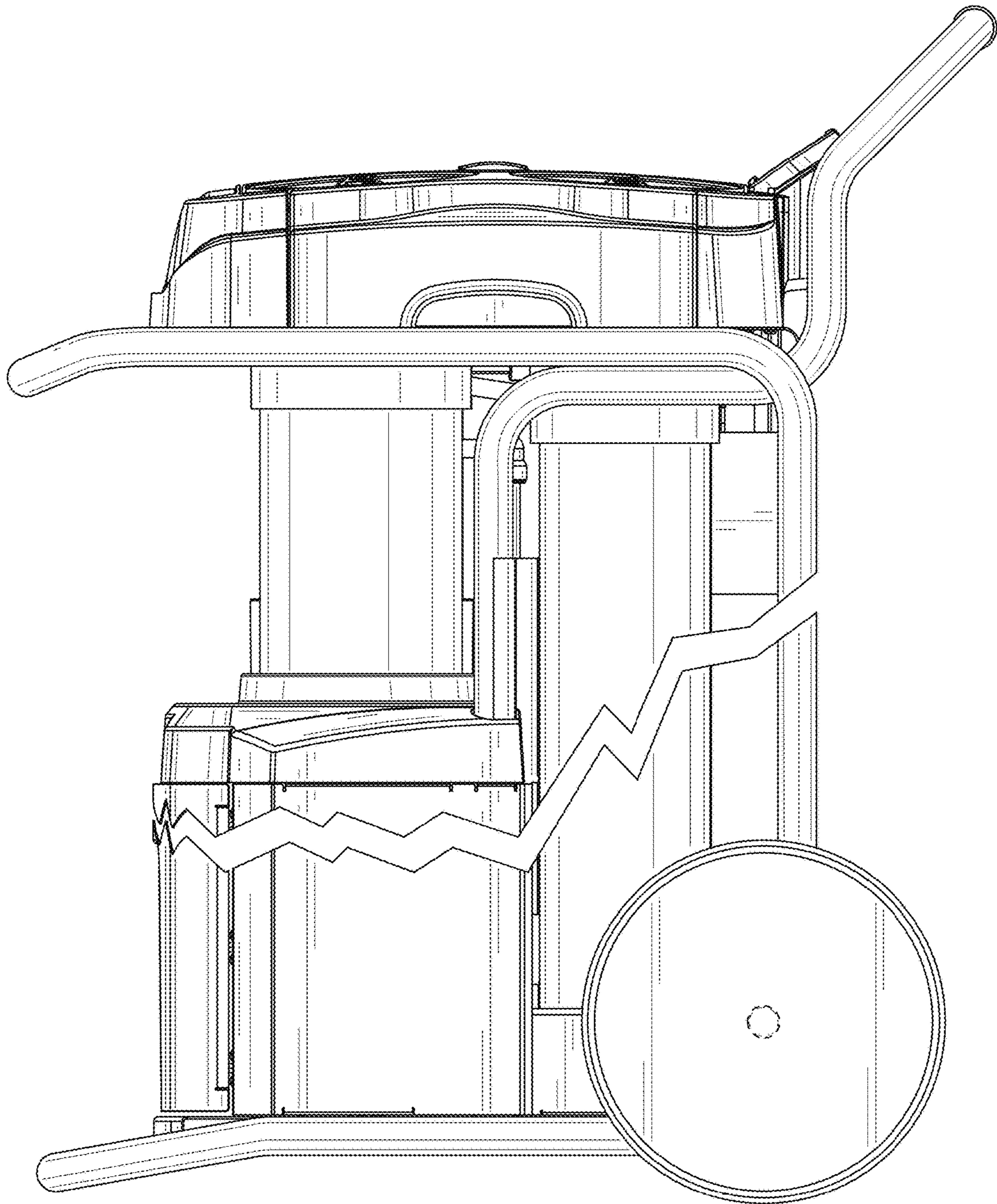


FIG. 7

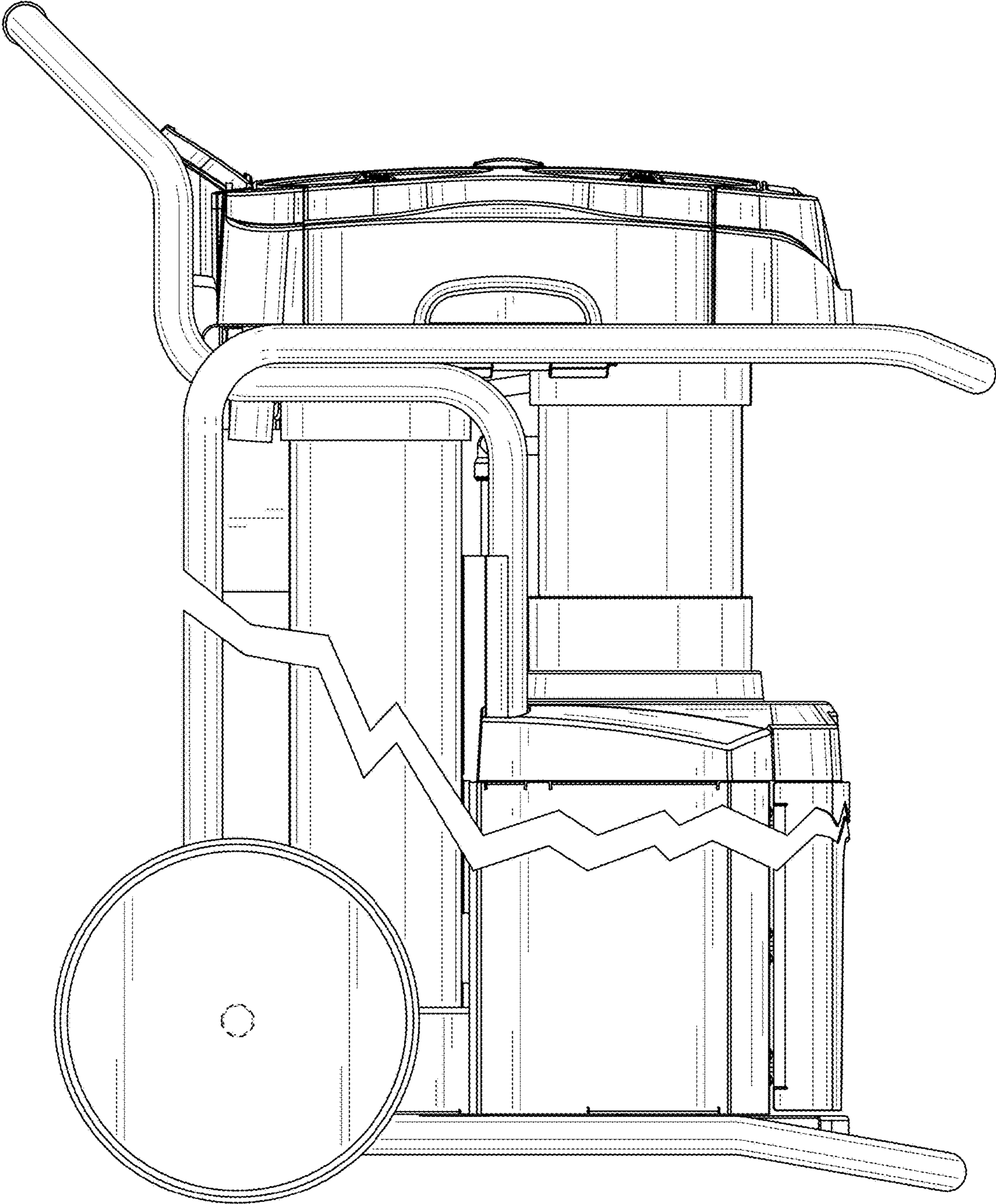


FIG. 8