



US00D796625S

(12) **United States Design Patent** (10) **Patent No.:** **US D796,625 S**
Butler (45) **Date of Patent:** **** Sep. 5, 2017**

- (54) **FISHING LURE**
- (71) Applicants: **LuCinda Sue Johnson**, Indianapolis, IN (US); **Zachary D. Fultz**, Avon, IN (US)
- (72) Inventor: **James Lloyd Butler**, Indianapolis, IN (US)
- (73) Assignee: **Zachary D. Fultz**, Avon, IN (US)
- (**) Term: **15 Years**
- (21) Appl. No.: **29/547,505**
- (22) Filed: **Dec. 4, 2015**
- (51) **LOC (10) Cl.** **22-05**
- (52) **U.S. Cl.**
USPC **D22/126**
- (58) **Field of Classification Search**
USPC D22/126-133; 43/42.5, 42.24, 42.09, 43/42.37, 42.26, 42.27, 42.45, 42.47, 43/42.36, 42.23, 42.48, 42.06
CPC A01K 85/00; A01K 85/15
See application file for complete search history.

(56) **References Cited**

U.S. PATENT DOCUMENTS

2,762,156	A *	9/1956	Takeshita	A01K 85/16 43/42.23
2,766,546	A *	10/1956	Dodge, Sr.	A01K 85/16 43/42.48
2,788,604	A *	4/1957	Sleight	A01K 85/16 43/42.06
D245,616	S	8/1977	Stewart		
D270,176	S	8/1983	Williams		
D292,307	S *	10/1987	Norlin	D22/126
D293,810	S	1/1988	Hill		
D299,046	S	12/1988	Cunningham		
D351,211	S	10/1994	Gowing		
D352,340	S	11/1994	Terrill		

- D403,735 S 1/1999 Price
 - D511,367 S 11/2005 Bowling
 - D517,641 S 3/2006 Nichols
 - D529,572 S 10/2006 Gaines
 - D551,316 S 9/2007 Patrick
 - D593,636 S * 6/2009 Hymas D22/126
 - D600,313 S 9/2009 Hymas
 - D624,146 S 9/2010 Minkler
 - D660,936 S 5/2012 Sprague
 - D660,937 S 5/2012 Sprague
 - D661,772 S 6/2012 Nagai
- (Continued)

Primary Examiner — Catheri Oliver-Garcia
(74) *Attorney, Agent, or Firm* — Woodard Emhardt Moriarty McNett & Henry LLP

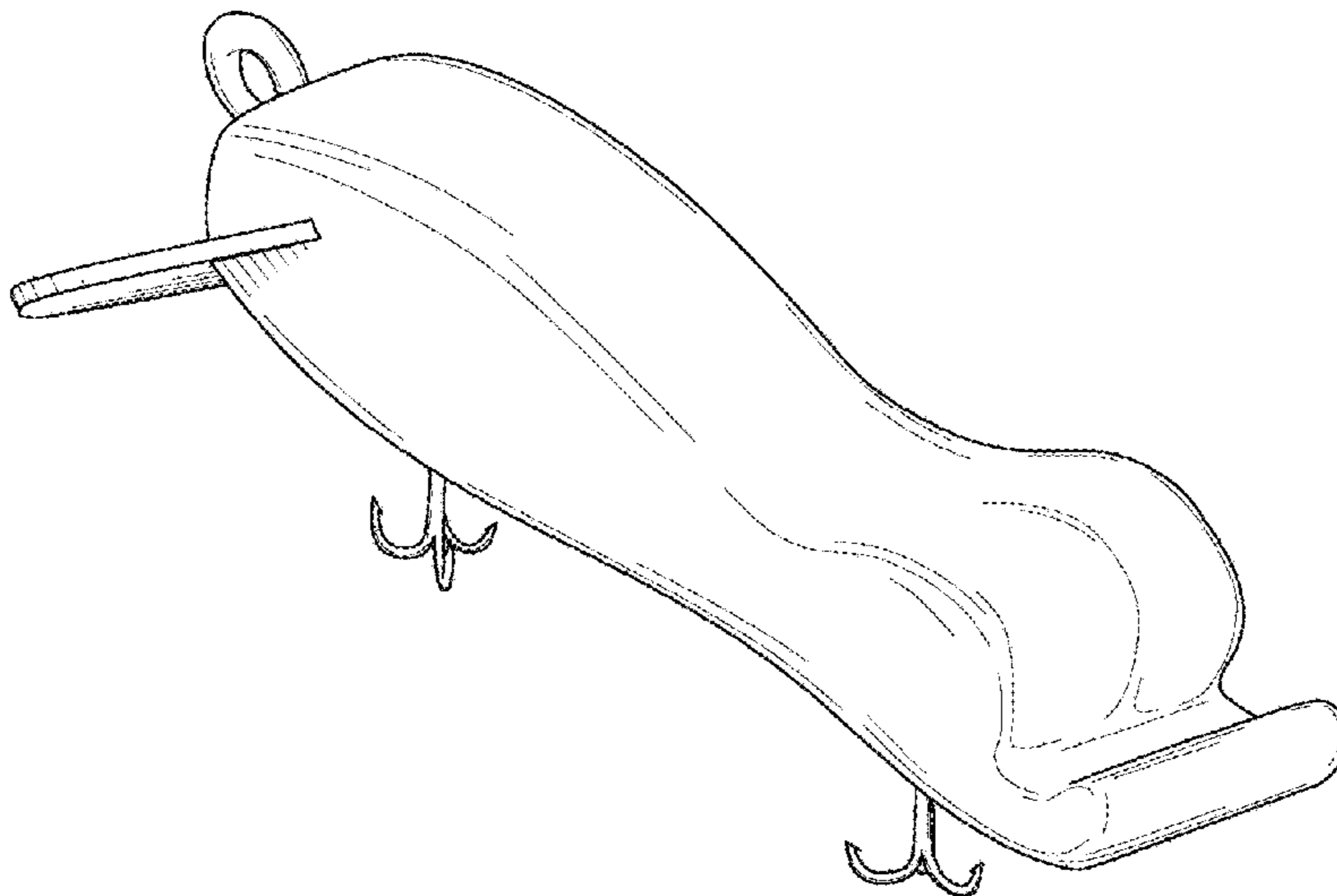
(57) **CLAIM**

The ornamental design for a fishing lure, as shown and described.

DESCRIPTION

FIG. 1 is a perspective view of a fishing lure showing my new design;
 FIG. 2 is a front elevational view thereof;
 FIG. 3 is a rear elevational view thereof;
 FIG. 4 is a right side elevational view thereof;
 FIG. 5 is a left side elevational view thereof;
 FIG. 6 is a top plan view thereof; and
 FIG. 7 is a bottom plan view thereof.
 FIG. 8 is a perspective view of another embodiment of a fishing lure showing my new design;
 FIG. 9 is a front elevational view thereof;
 FIG. 10 is a rear elevational view thereof;
 FIG. 11 is a right side elevational view thereof;
 FIG. 12 is a left side elevational view thereof;
 FIG. 13 is a top plan view thereof; and,
 FIG. 14 is a bottom plan view thereof.
 The broken lines depict environment and are for illustrative purposes only and form no part of the claimed design.

1 Claim, 4 Drawing Sheets



(56)

References Cited

U.S. PATENT DOCUMENTS

D661,773 S	6/2012	Rago
D677,750 S	3/2013	King
D682,386 S	5/2013	Olguin
D692,519 S	10/2013	Nichols
D692,520 S	10/2013	Vainio
D693,425 S	11/2013	Vainio
D694,850 S	12/2013	King
D698,407 S	1/2014	Cush
D705,891 S	5/2014	King
D713,924 S	9/2014	Vainio
D713,925 S	9/2014	Vainio
D713,926 S	9/2014	Vainio
D721,158 S	1/2015	Gregory
D725,738 S	3/2015	McMillan
D728,064 S	4/2015	Stecher
D734,830 S	7/2015	Cook

* cited by examiner

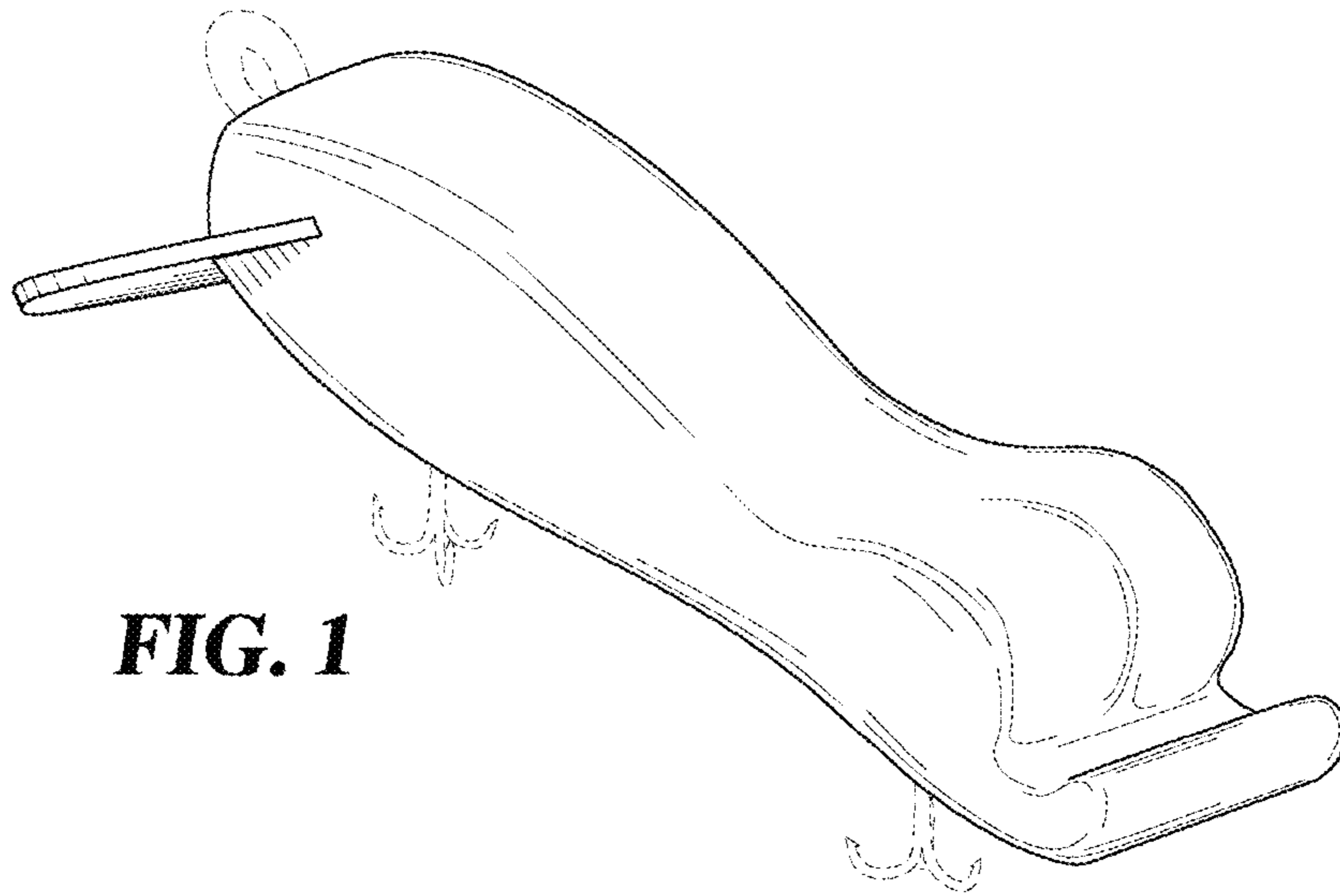


FIG. 1

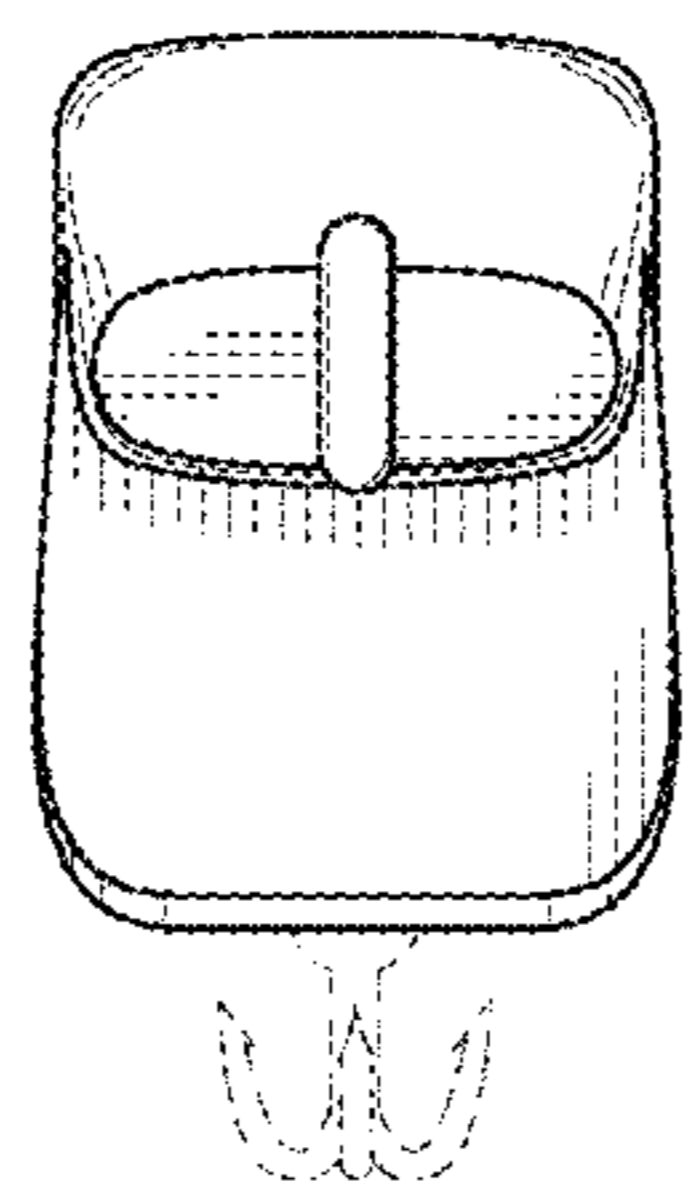


FIG. 2

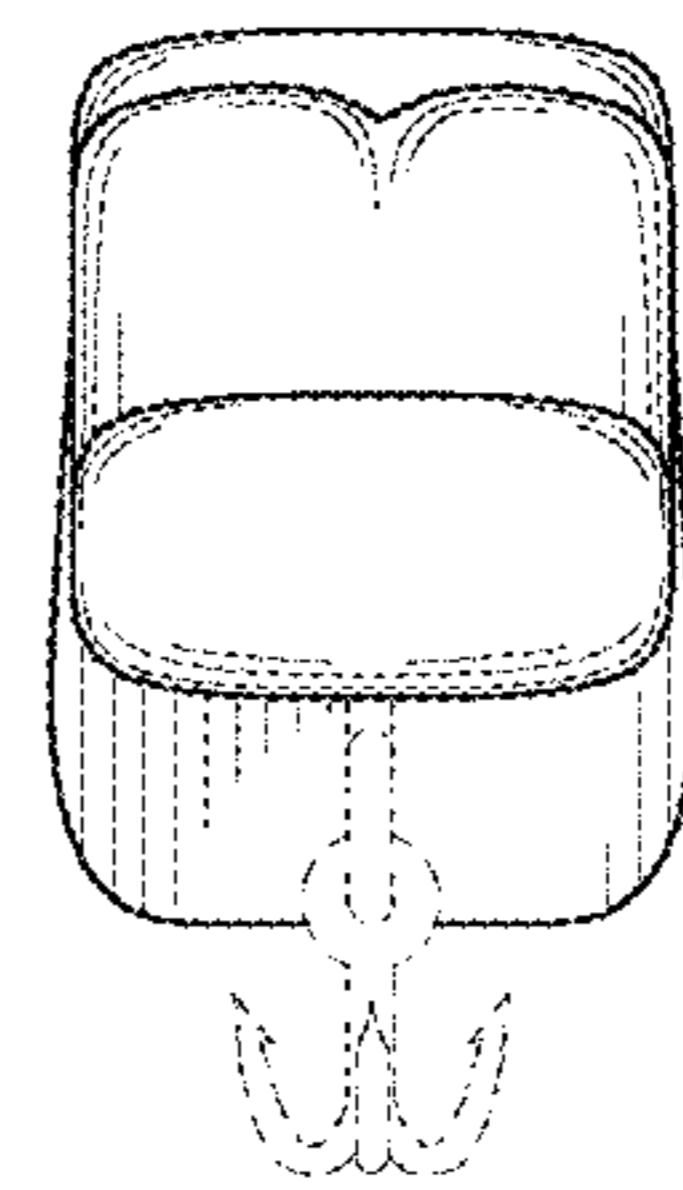


FIG. 3

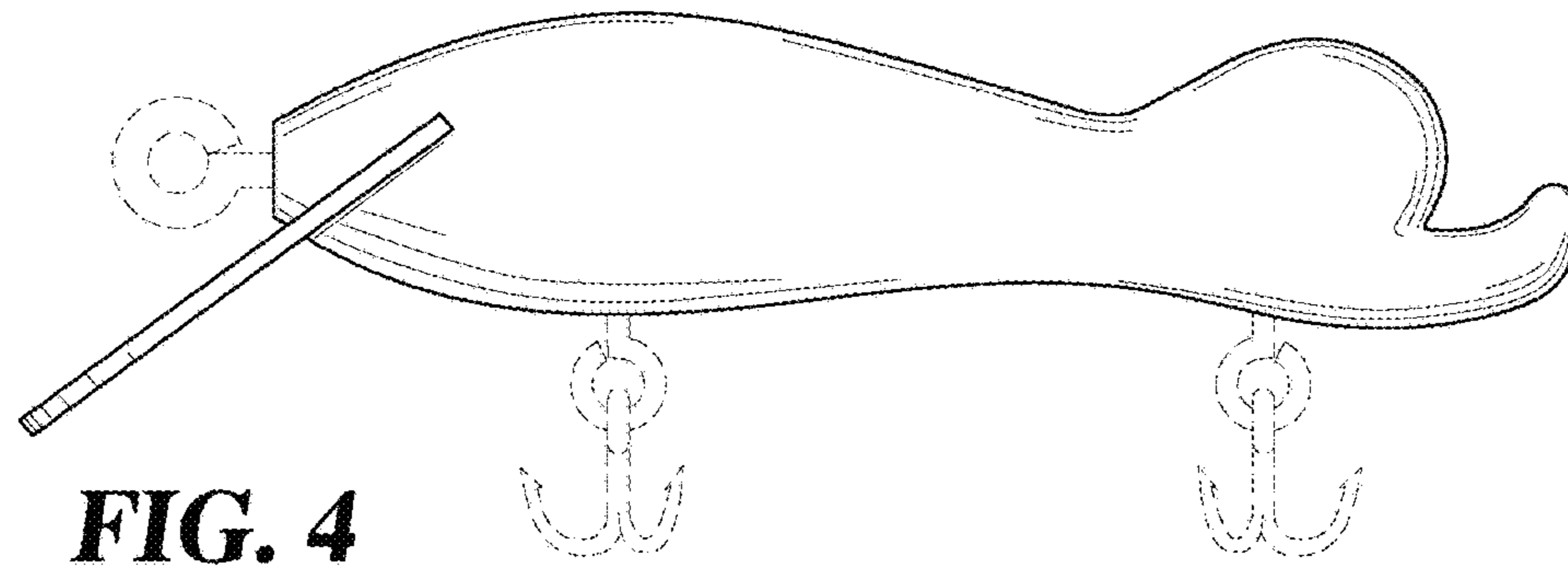


FIG. 4

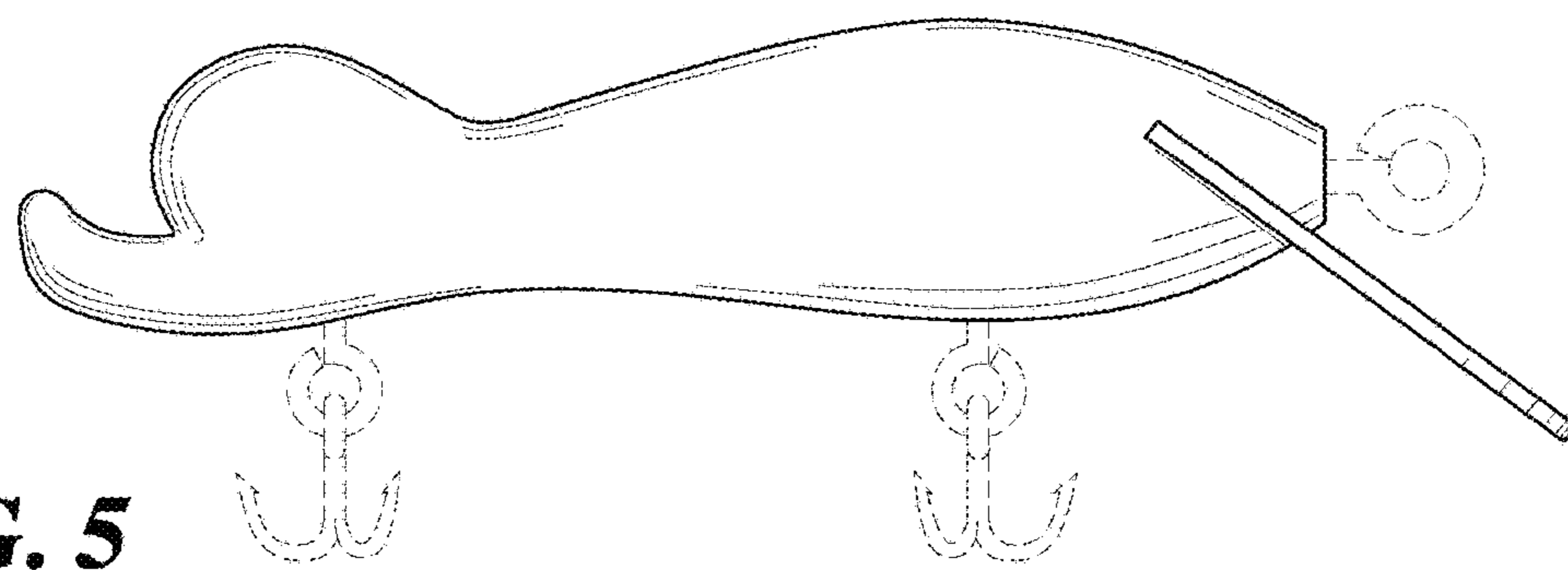


FIG. 5

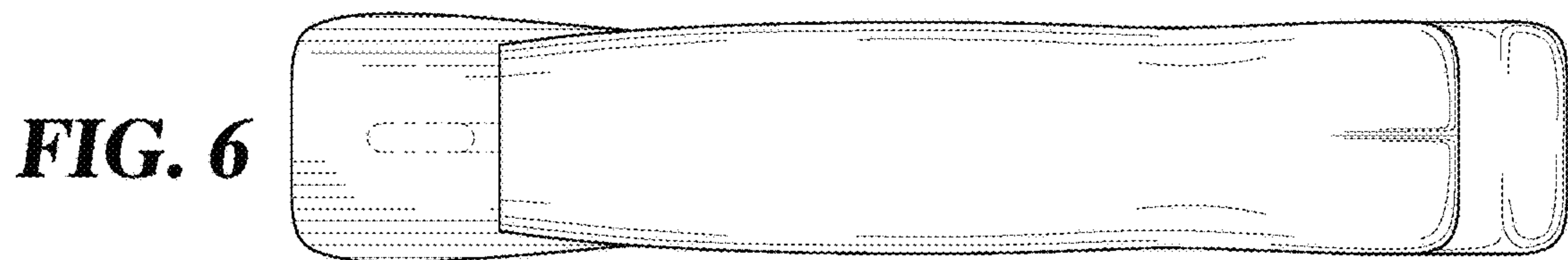


FIG. 6

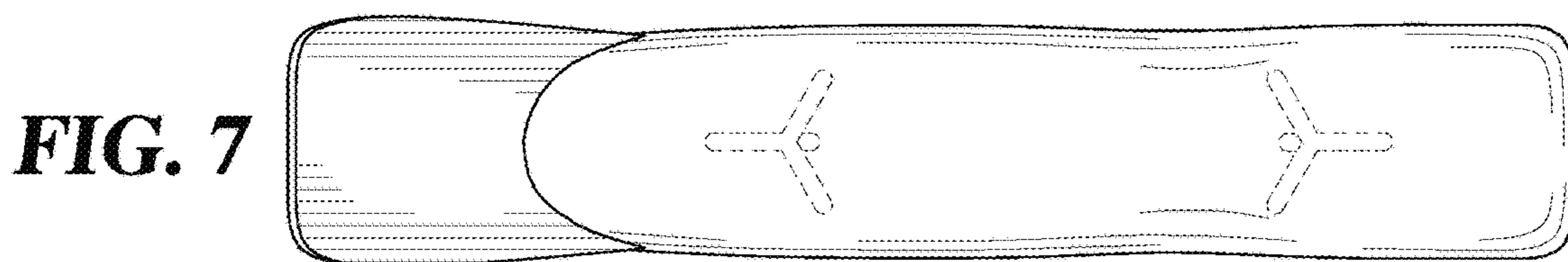


FIG. 7

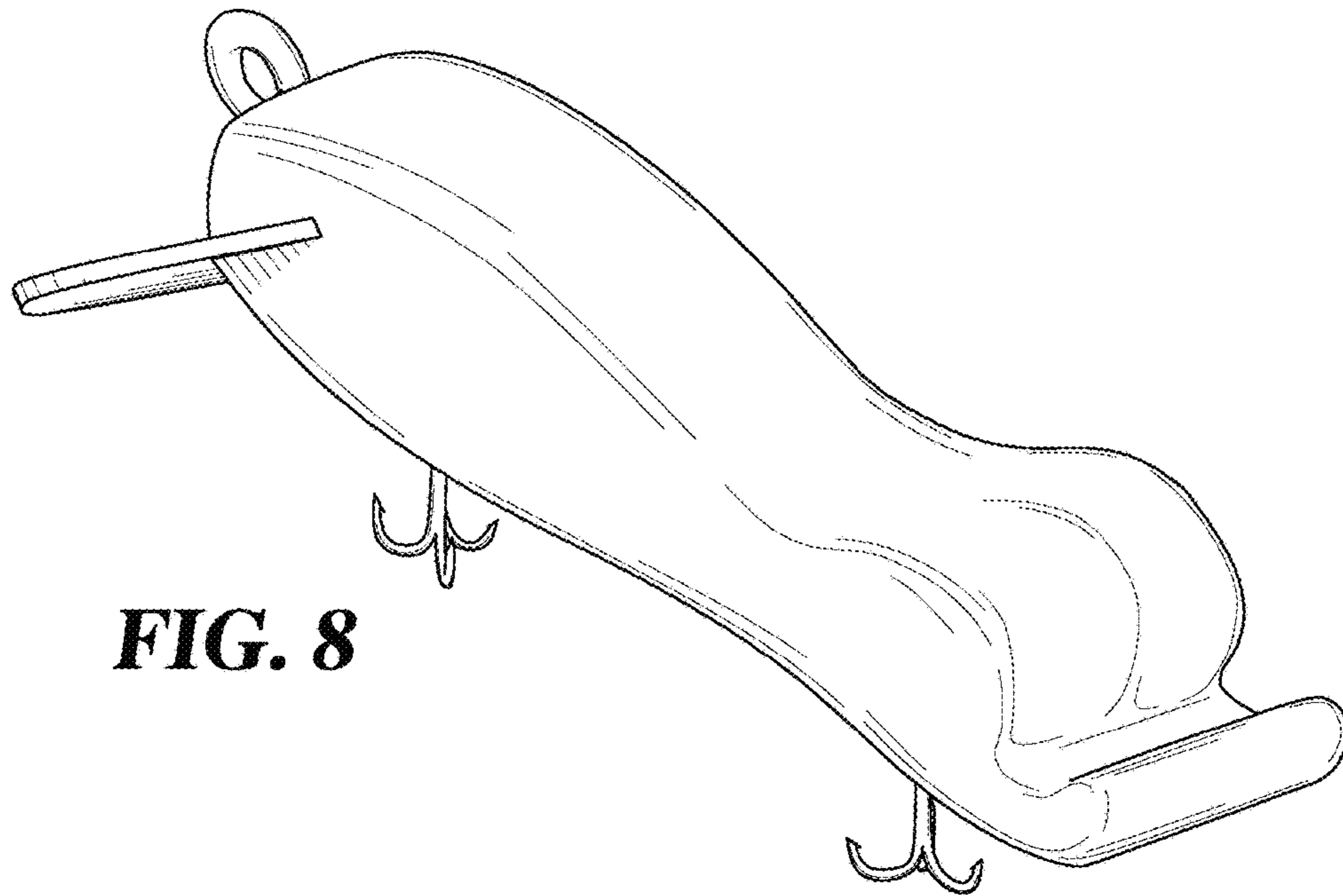


FIG. 8

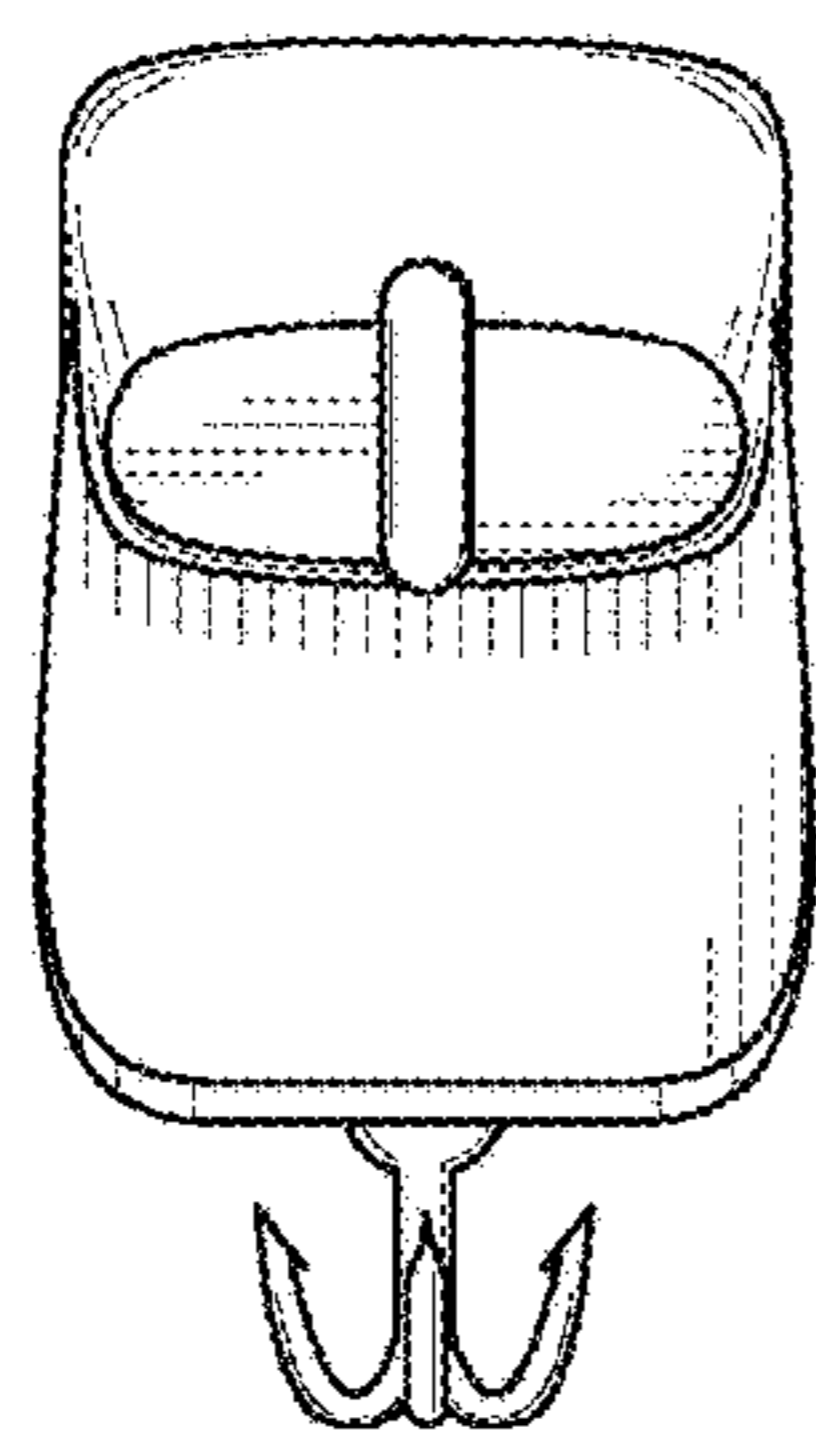


FIG. 9

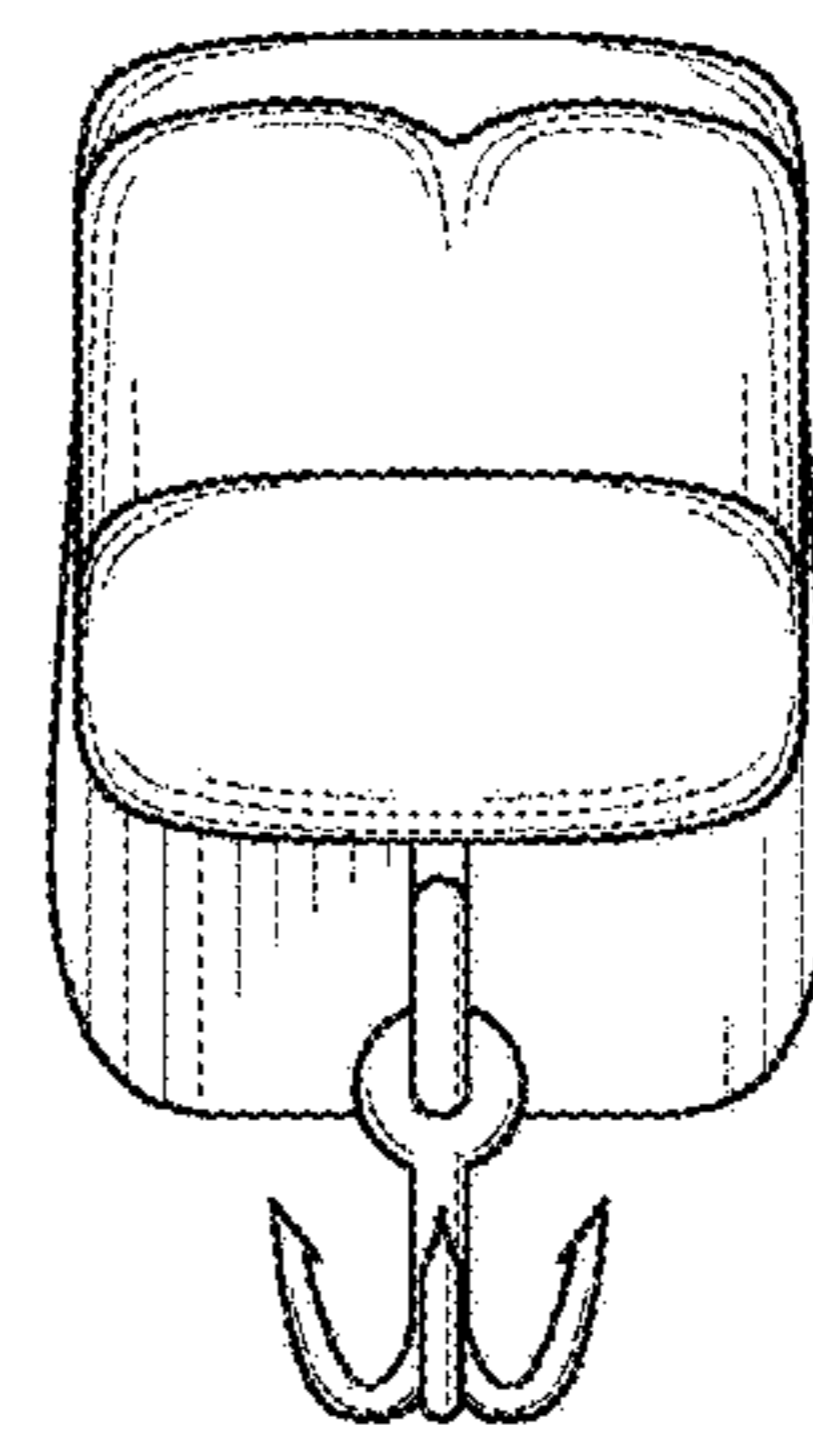


FIG. 10

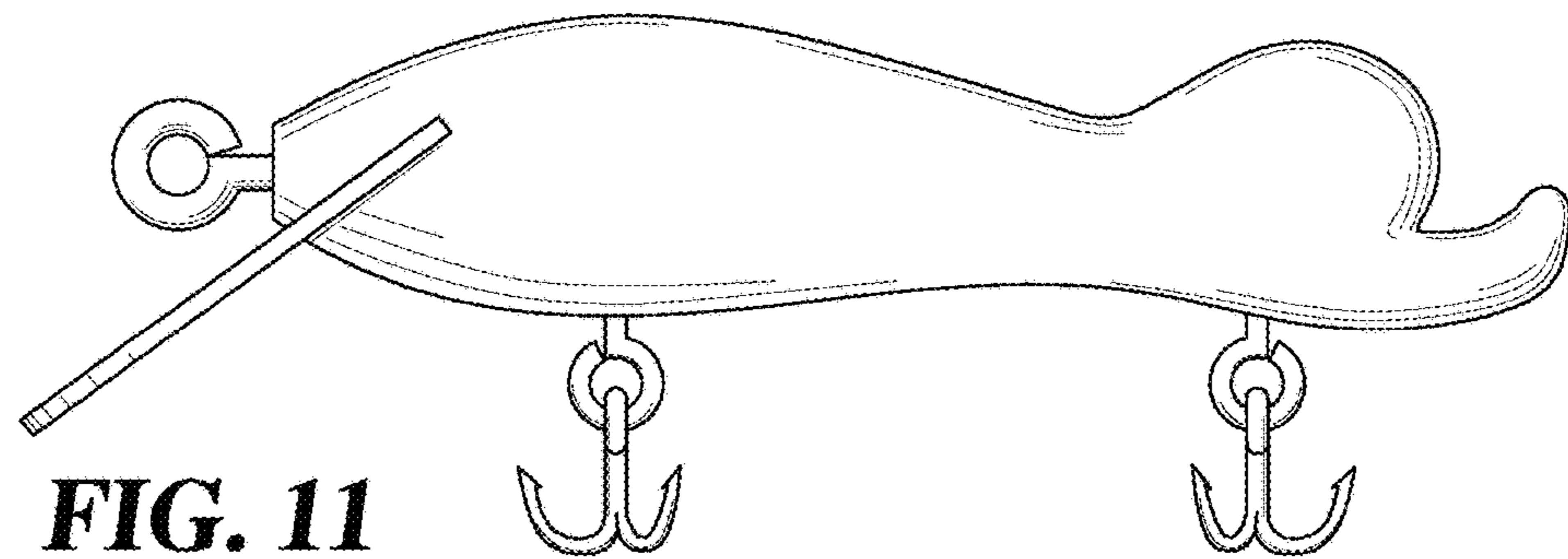


FIG. 11

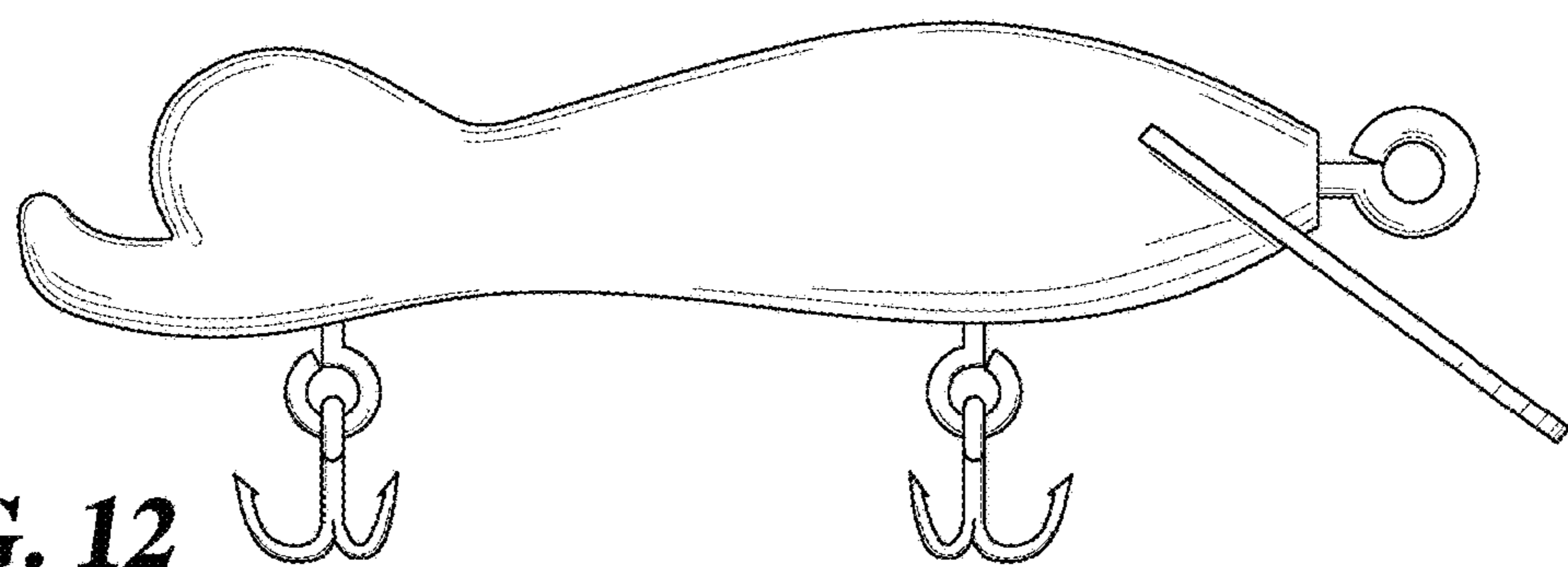


FIG. 12

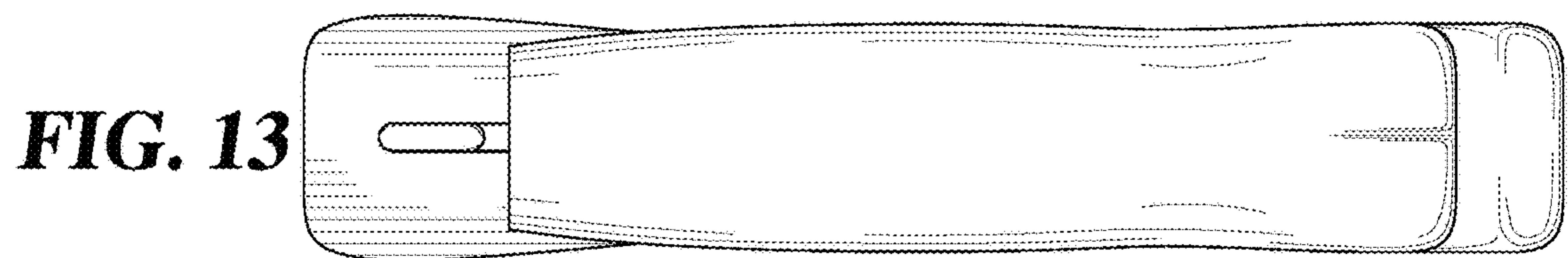


FIG. 13

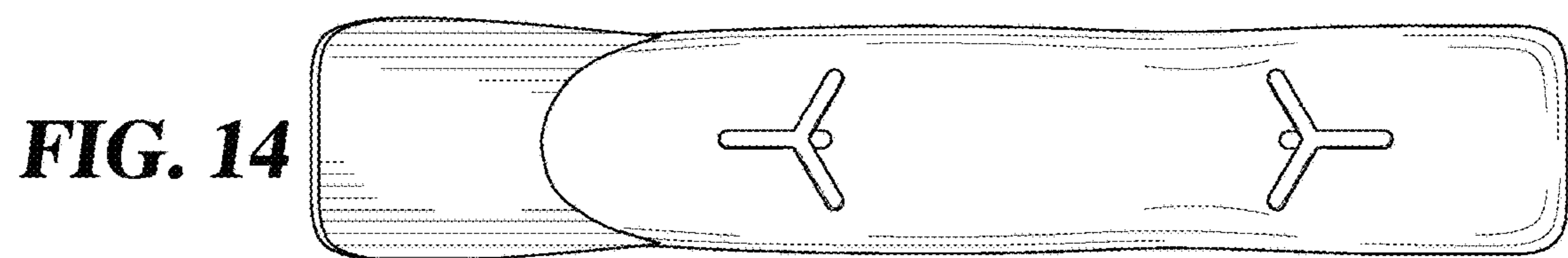


FIG. 14