

US00D796623S

(12) **United States Design Patent** (10) **Patent No.:** **US D796,623 S**  
**Hasenyager** (45) **Date of Patent:** **\*\* Sep. 5, 2017**

(54) **BILATERAL DISPLAY REGIONS FOR A SELF DEFENSE DEVICE**

(71) Applicant: **My Defense, LLC**, Salem, OR (US)

(72) Inventor: **Tom Elliott Hasenyager**, Tigard, OR (US)

(73) Assignee: **My Defense, LLC**, Salem, OR (US)

(\*\*) Term: **14 Years**

(21) Appl. No.: **29/516,481**

(22) Filed: **Feb. 3, 2015**

(51) **LOC (10) Cl.** ..... **22-02**

(52) **U.S. Cl.**  
USPC ..... **D22/117**

(58) **Field of Classification Search**  
USPC ..... D22/117-120; 222/78, 175, 182-183; 42/1.09; 463/47.3; 361/232; 348/143  
CPC ..... B65D 83/88; F41B 15/04; F41H 13/00; F41H 13/0018; F41H 13/0087; G08B 15/02; G08B 13/1966; G08B 13/19682  
See application file for complete search history.

(56) **References Cited**

U.S. PATENT DOCUMENTS

D304,063 S	10/1989	Story	
D318,896 S *	8/1991	Crain	D22/117
D323,870 S *	2/1992	Kaufman	D22/117
D336,126 S	6/1993	Luchak	
D357,051 S	4/1995	Strenkowski	
D403,451 S	12/1998	Ting	
D474,654 S *	5/2003	Hasegawa	D7/401.2
D495,772 S *	9/2004	Hibben	D22/118
D496,424 S *	9/2004	Carter, III	D22/118

D503,451 S	3/2005	Tal	
7,503,829 B2	3/2009	Cory	
D657,435 S *	4/2012	Wilke	D22/118
D668,313 S *	10/2012	Bushee	D22/117
D674,943 S *	1/2013	Sheikh	D22/117
D712,200 S *	9/2014	Kudou	D7/401.2
2011/0130207 A1	6/2011	Hasenyager	

\* cited by examiner

*Primary Examiner* — Catherine R Oliver-Garcia  
(74) *Attorney, Agent, or Firm* — Schwabe, Williamson & Wyatt P.C.

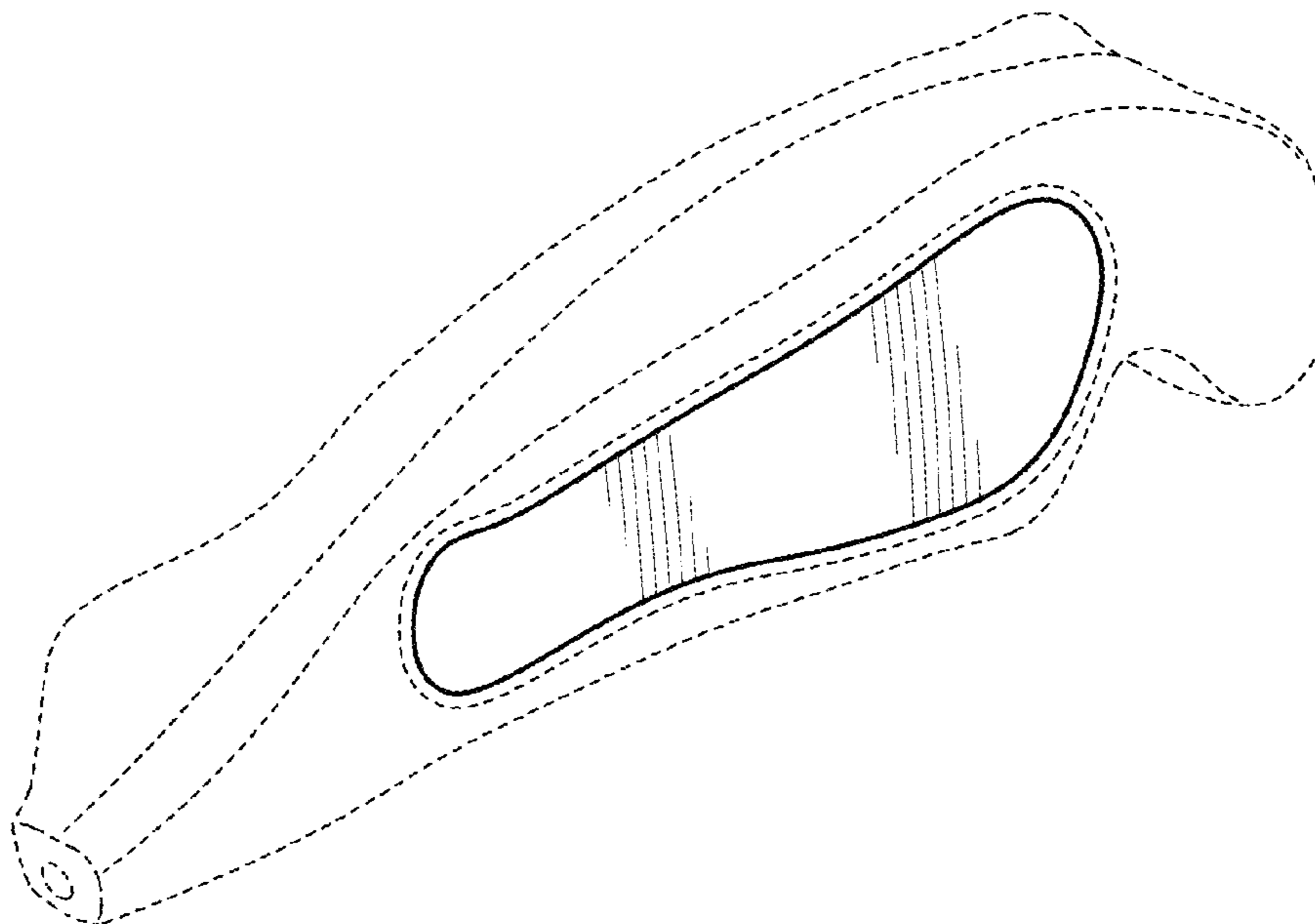
(57) **CLAIM**

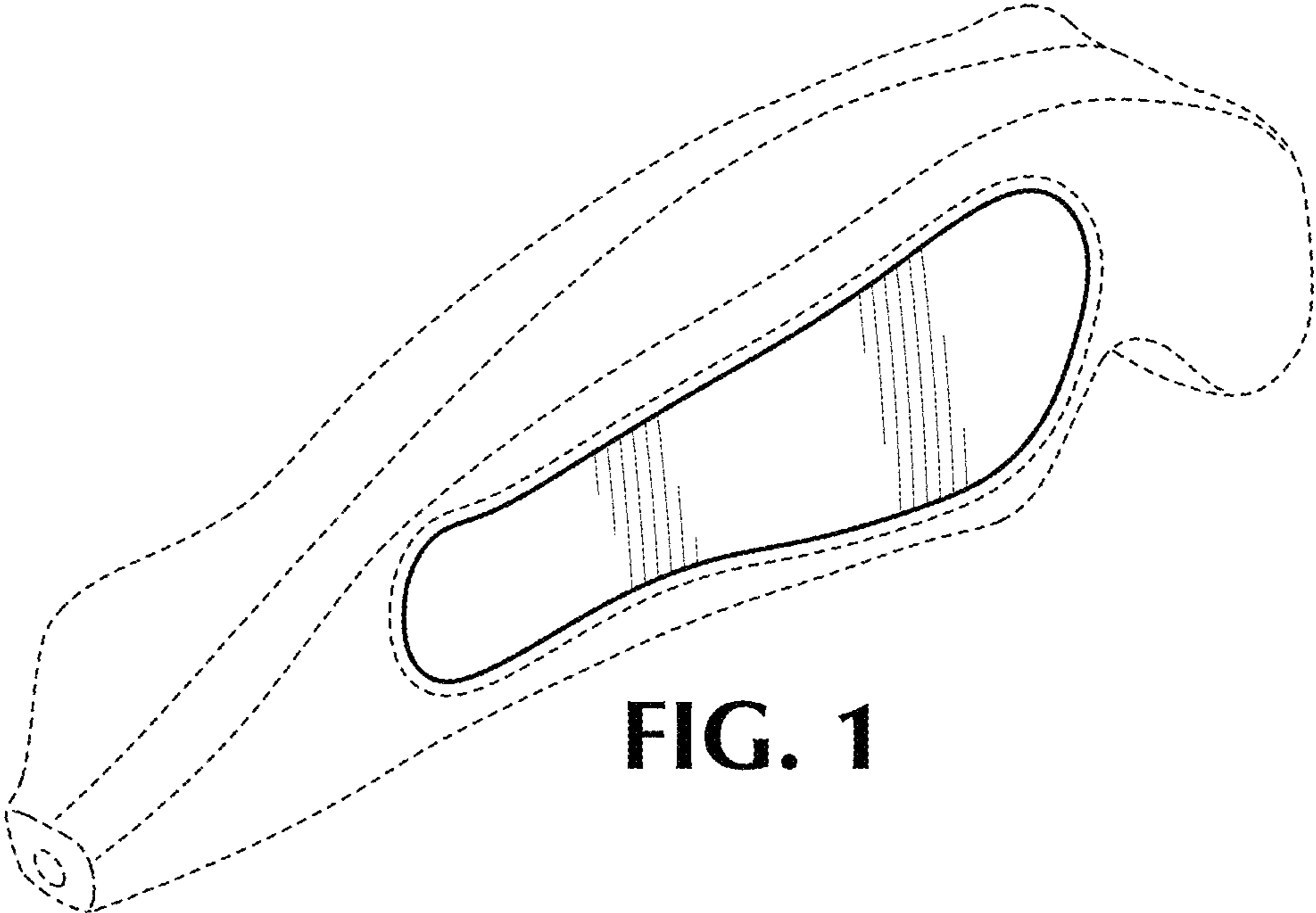
The ornamental design for bilateral display regions for a self defense device, as shown.

**DESCRIPTION**

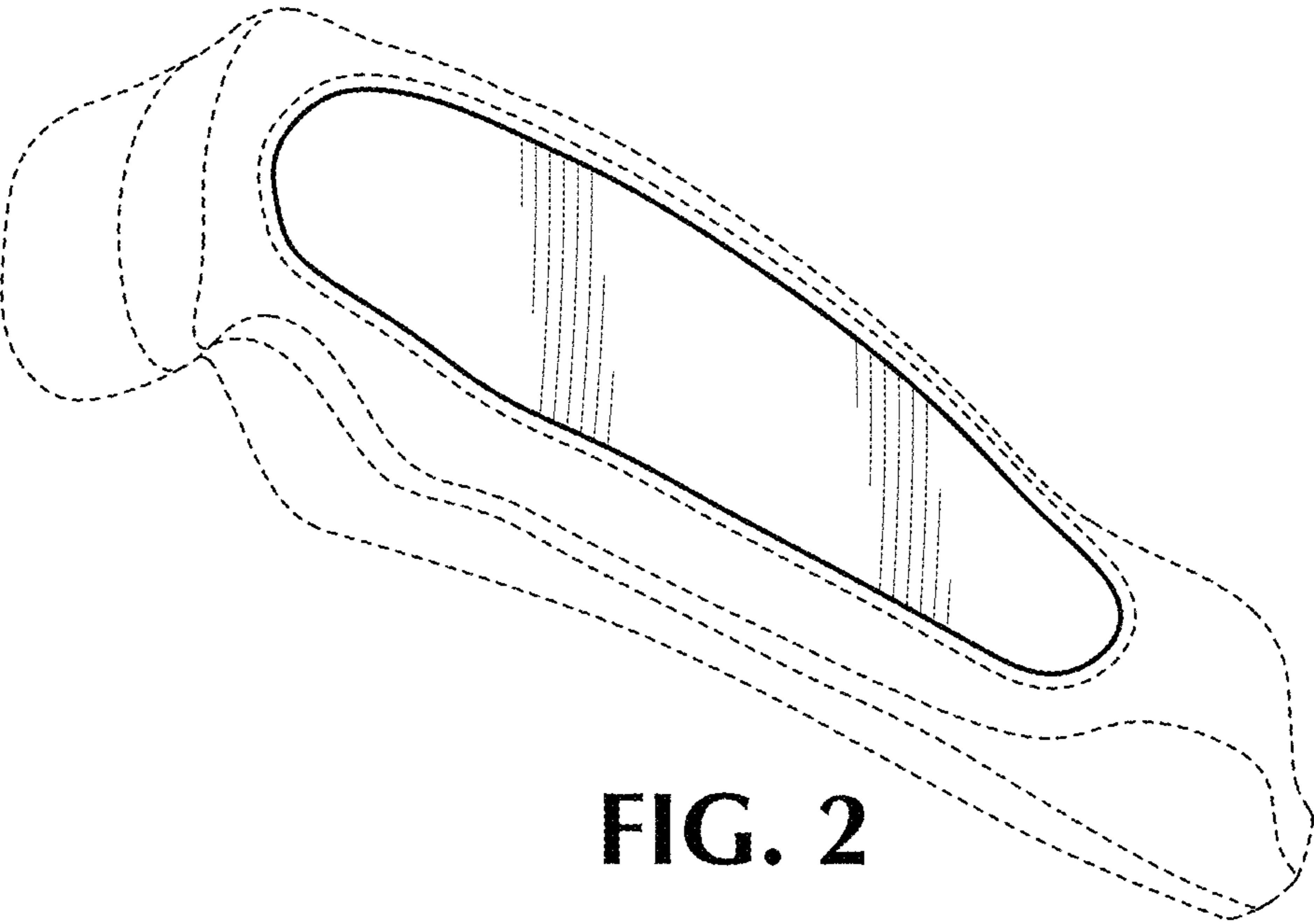
FIG. 1 is a left side perspective view of a left side display region for a self defense device, showing the self defense device in dashed lines.  
FIG. 2 is a right side perspective view of a right side display region for the self defense device.  
FIG. 3 is a left side elevation of the left side display region.  
FIG. 4 is a right side elevation of the right side display region.  
FIG. 5 is a second embodiment of the left side display region of FIGS. 1-4;  
FIG. 6 is a right side view of the display region thereof;  
FIG. 7 is a third embodiment of the left side display region of FIGS. 1-4; and,  
FIG. 8 is a right side view of the display region thereof.

**1 Claim, 4 Drawing Sheets**

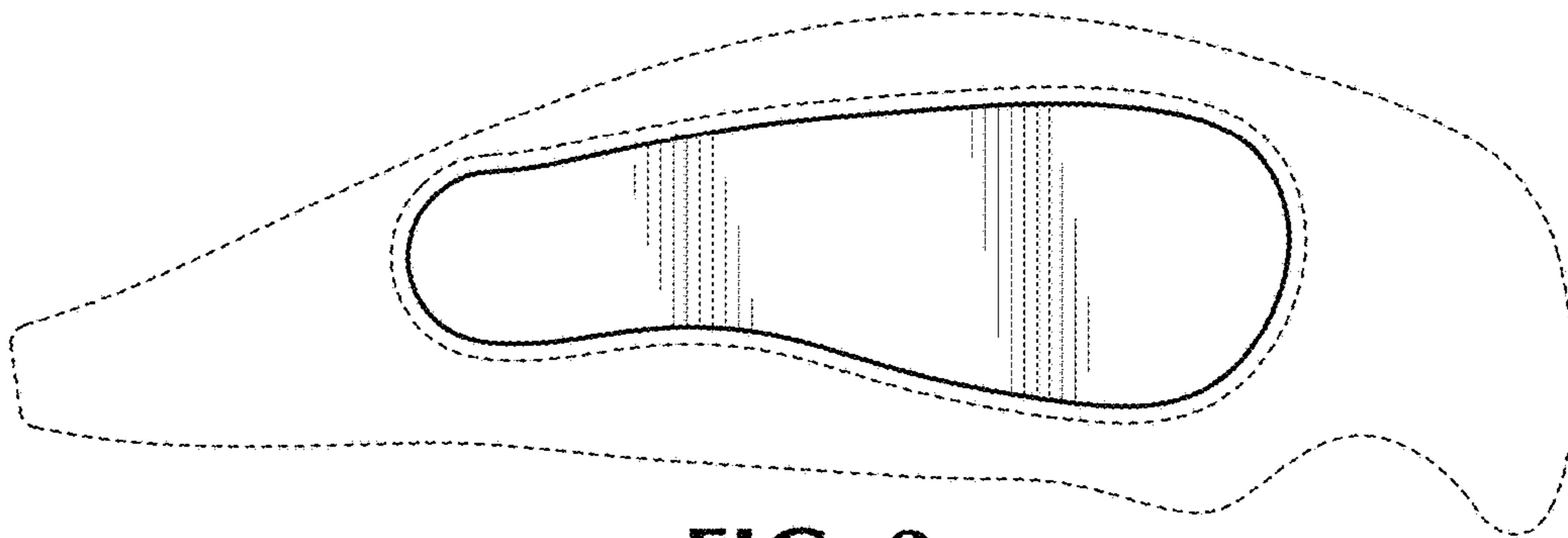




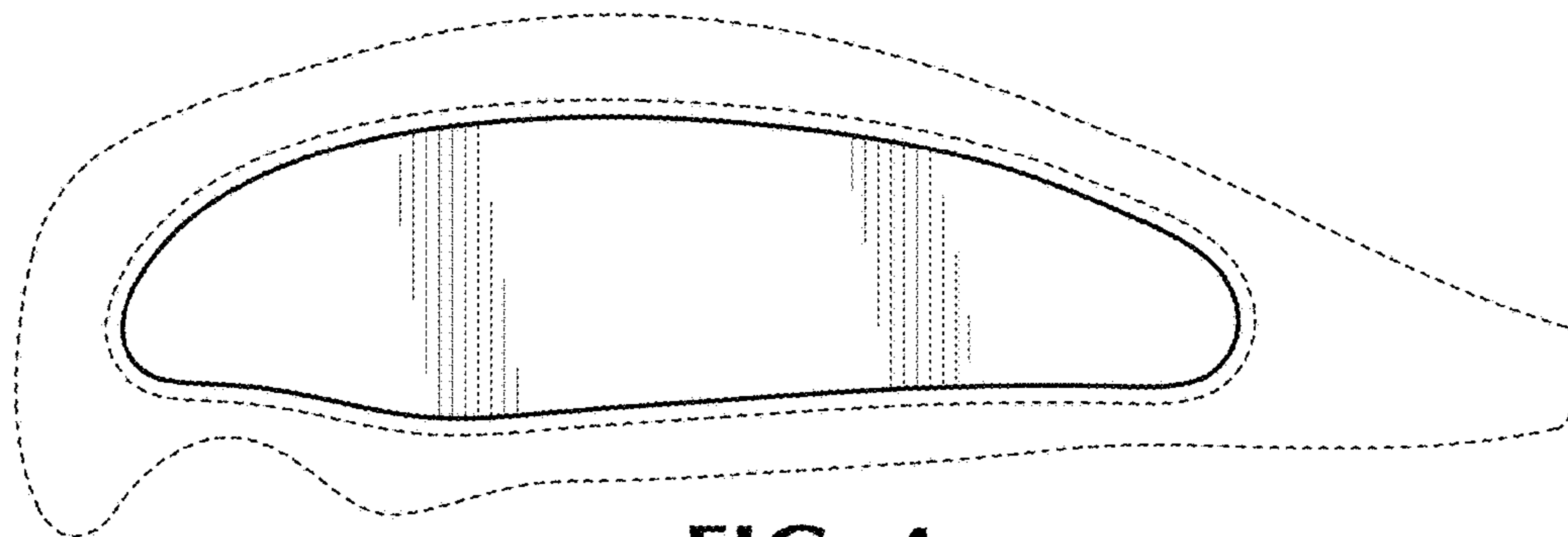
**FIG. 1**



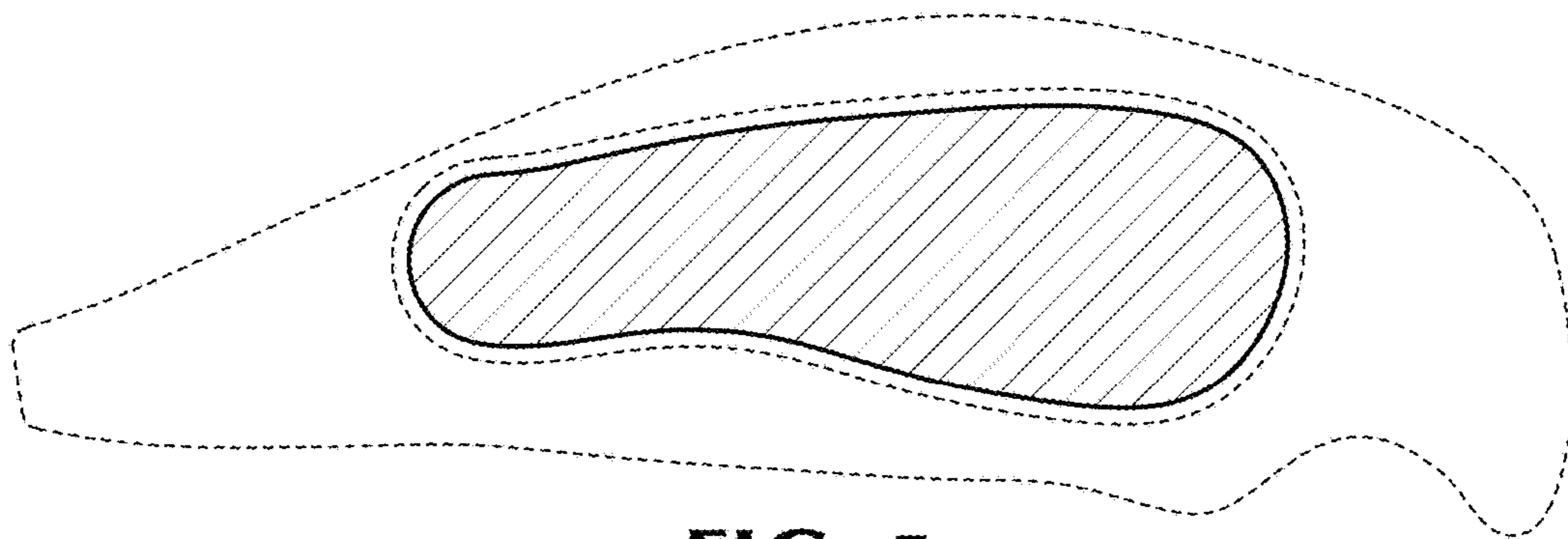
**FIG. 2**



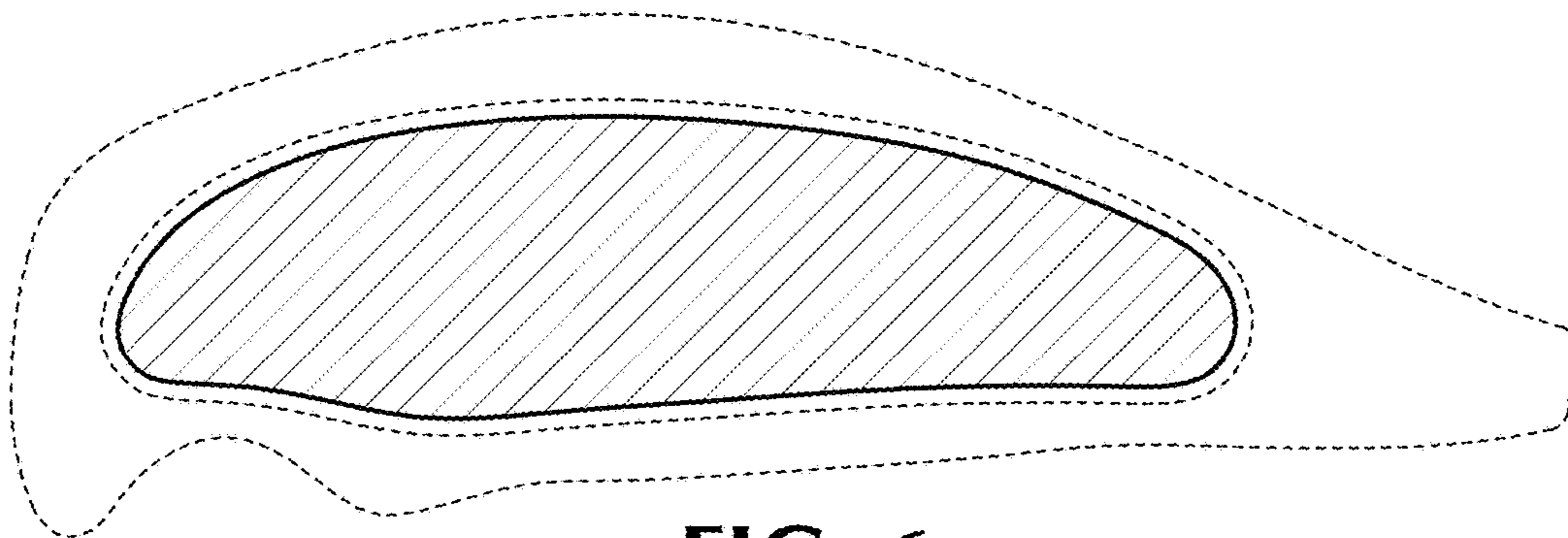
**FIG. 3**



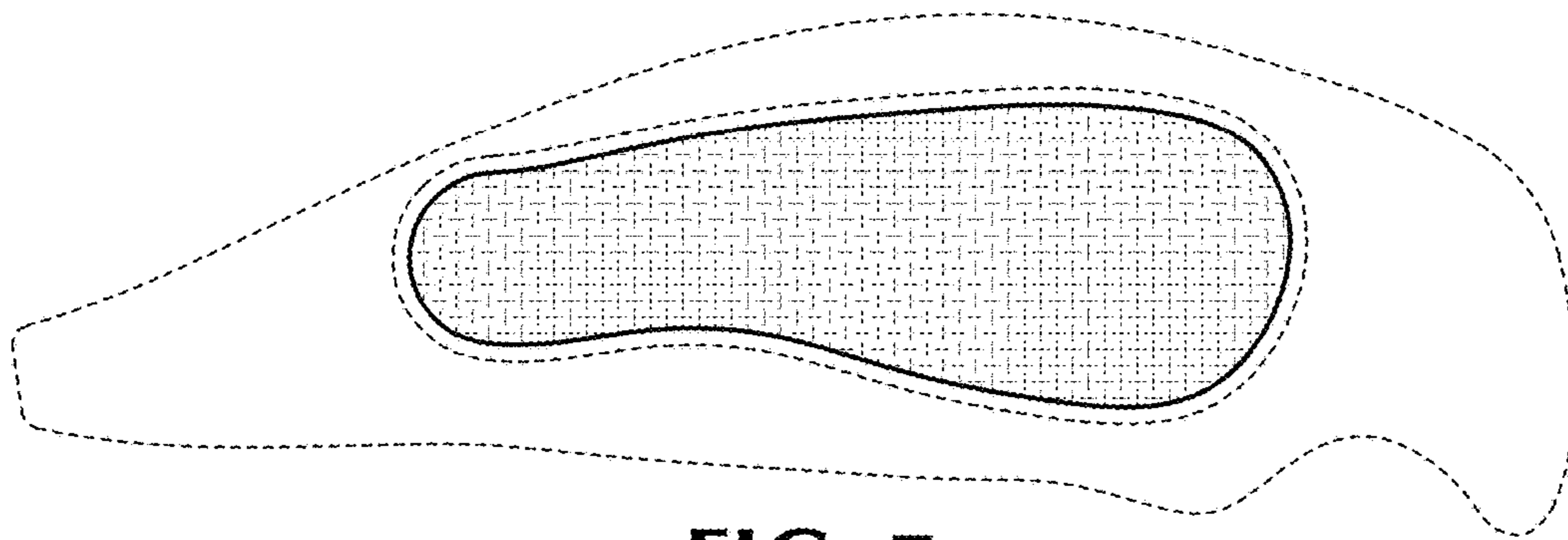
**FIG. 4**



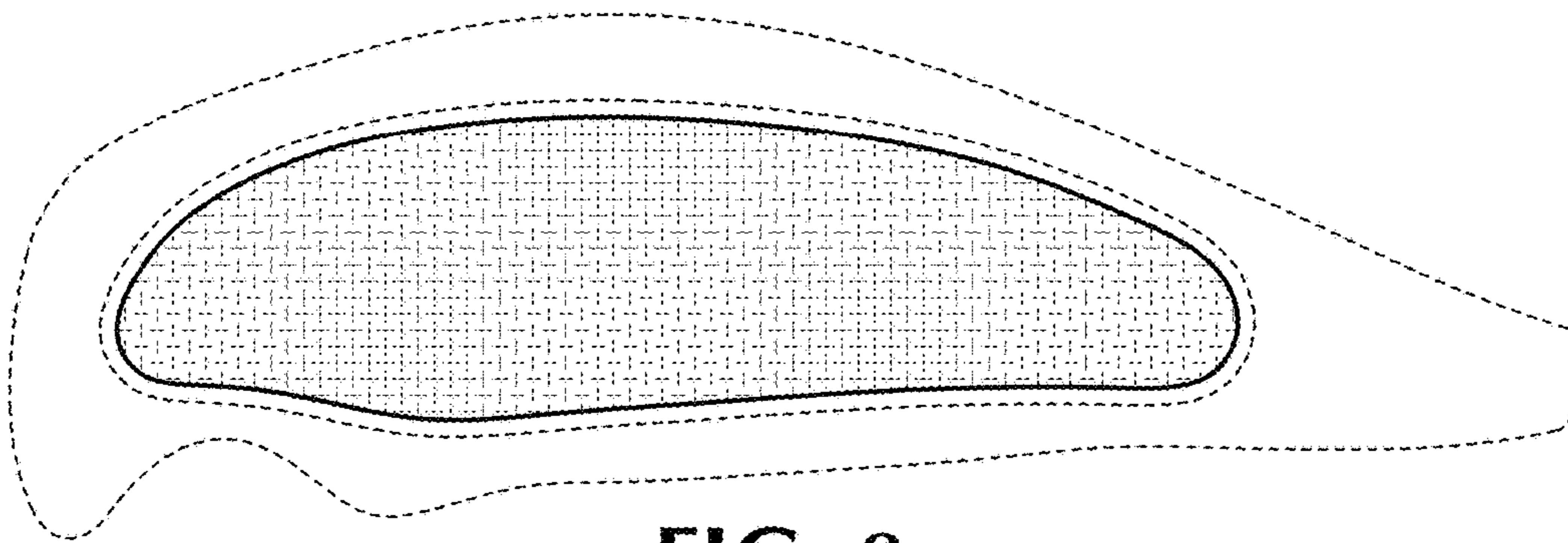
**FIG. 5**



**FIG. 6**



**FIG. 7**



**FIG. 8**