



US00D796622S

(12) **United States Design Patent**
Sharrah

(10) **Patent No.:** **US D796,622 S**
(45) **Date of Patent:** **** Sep. 5, 2017**

(54) **LIGHT MOUNTABLE ON A HANDGUN**

8,760,085 B2 6/2014 West
D709,981 S 7/2014 Johnston
8,904,698 B2 12/2014 Riley
(Continued)

(71) Applicant: **Streamlight, Inc.**, Eagleville, PA (US)

(72) Inventor: **Jonathan R. Sharrah**, Phoenixville, PA (US)

(73) Assignee: **Streamlight, Inc.**, Eagleville, PA (US)

(**) Term: **15 Years**

(21) Appl. No.: **29/570,804**

(22) Filed: **Jul. 12, 2016**

OTHER PUBLICATIONS

Laserlyte, "Sight TGL DB .380/9MM Tan", printed Jan. 13, 2015, 4 pages, <http://www.laserlyte.com/products/sight-tgl-diamondback-380-9mm-tan>.

(Continued)

Primary Examiner — Michael A. Pratt

(74) *Attorney, Agent, or Firm* — Clement A. Berard, Esq.; Dann, Dorfman, Herrell & Skillman, PC

(57) **CLAIM**

The ornamental design for a light mountable on a handgun, substantially as shown and described.

DESCRIPTION

FIG. 1 is a perspective view of an ornamental design for a light mountable on a handgun;
FIG. 2 is another perspective view of the ornamental design for the light mountable on a handgun;
FIG. 3 is a view of a first side thereof;
FIG. 4 is a view of a second side thereof;
FIG. 5 is a view of a first end thereof;
FIG. 6 is a view of a second end thereof;
FIG. 7 is a view of a bottom side thereof;
FIG. 8 is a view of a top side thereof; and,
FIG. 9 is a side view thereof in the environment of a handgun.

Broken lines (dashed lines) in the drawing are for the purpose of illustration and indicate unclaimed parts of the article or of the environment that form no part of the design claimed herein, and are not part of the claimed design or of a specified embodiment thereof. Terms such as top, bottom, side and end are used for convenience and do not define or limit the article to a particular orientation.

1 Claim, 8 Drawing Sheets

Related U.S. Application Data

(63) Continuation of application No. 29/514,738, filed on Jan. 15, 2015, now abandoned.

(51) **LOC (10) Cl.** **22-01**

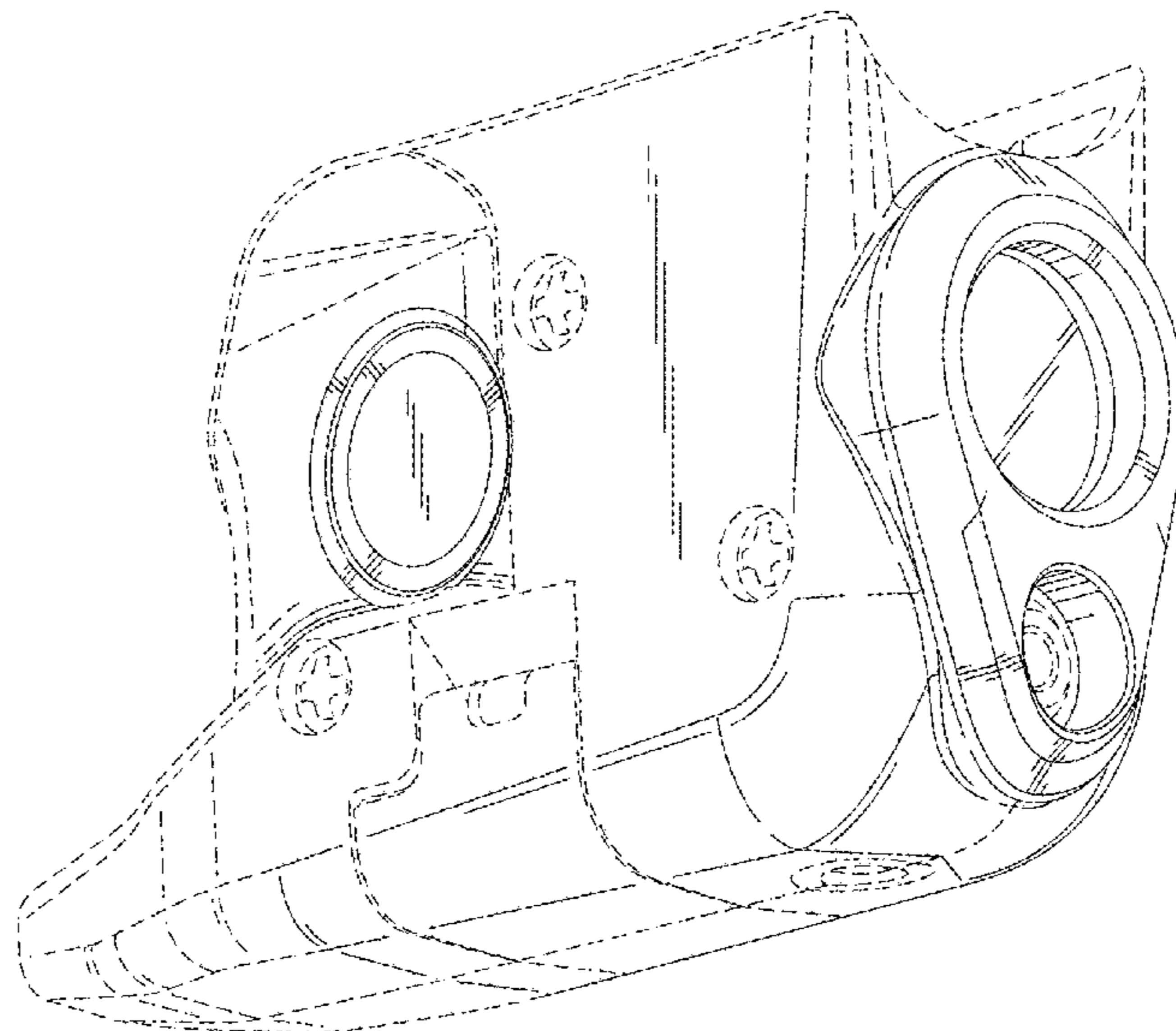
(52) **U.S. Cl.**
USPC **D22/109**

(58) **Field of Classification Search**
USPC D22/108-109; D26/24-27, 38, 40, 42, D26/46-47, 51, 60, 113, 118, 130-133, D26/136
CPC F41G 1/35; F41G 1/345
See application file for complete search history.

(56) **References Cited**

U.S. PATENT DOCUMENTS

4,177,754 A	12/1979	James et al.	
5,042,186 A	8/1991	Bechtel	
5,581,898 A	12/1996	Thummel	
5,628,555 A	5/1997	Sharrah et al.	
6,230,431 B1	5/2001	Bear	
D567,894 S	4/2008	Sterling	
7,726,061 B1	6/2010	Thummel	
8,169,165 B2	5/2012	West	
D674,858 S *	1/2013	Galli	D22/108



(56)

References Cited

U.S. PATENT DOCUMENTS

8,915,009	B2 *	12/2014	Caulk	F41G 1/35 42/114
9,035,576	B2	5/2015	West	
D738,455	S	9/2015	Homem de Mello Anderson	
D738,457	S	9/2015	Johnston	
9,488,439	B2 *	11/2016	Galli	F41G 11/003
9,658,031	B1 *	5/2017	Hedeen	F41G 1/35
2002/0148153	A1	10/2002	Thorpe	
2009/0013580	A1	1/2009	Houde-Walter et al.	
2012/0124885	A1	5/2012	Caulk	
2012/0144718	A1	6/2012	Danielson	
2013/0074351	A1	3/2013	Kowalczyk	
2013/0145672	A1	6/2013	Tuller	
2015/0102743	A1	4/2015	West	
2015/0192391	A1	7/2015	Moore	
2015/0276352	A1	10/2015	Chang et al.	
2016/0209168	A1	7/2016	Sharrah et al.	

OTHER PUBLICATIONS

Laserlyte, "Glock Lasers", printed Jan. 13, 2015, 1 page, <http://www.laserlyte.com/collections/glock>.
 Laserlyte, "Springfield XD/XDM/XDS Lasers", printed Jan. 13, 2015, 1 page, <http://www.laserlyte.com/collections/xd-xdm-xds>.
 Laserlyte, "SCCY Laser Sight", printed Jan. 13, 2015, 1 page, <http://www.laserlyte.com/collections/sccy-laser-sight>.

Laserlyte, "Hi-Point Laser", printed Jan. 13, 2015, 1 page, <http://www.laserlyte.com/collections/hi-point-laser>.
 Laserlyte, "Closeouts", printed Jan. 13, 2015, 1 page, <http://www.laserlyte.com/collections/discontinued-closeouts>.
 Laserlyte, "UTA-DB Diamondback Laser", Rev Aug. 2013, 2 pages.
 Diodes Incorporated, "PAM2804 1A Step Down Constant Current, High Efficiency LED Driver", Jan. 2013, 10 pages.
 Microchip Technology, Inc., "PIC12F7525/HV752 Data Sheet, 8-Pin, Flash-Based 8-Bit CMOS Microcontrollers", © 2011, 210 pages.
 Crimson Trace Corporation, "Crimson Trace CMR-202 Rail Master", Instruction Handbook, 27-1455 REV001 Apr. 2012, 2 pages.
 European Patent Office, "European Search Report, EP Application No. 16150798", May 19, 2016, 8 pages.
 Streamlight, Inc., "TLR-6 Subcompact Gun-Mounted Tactical Light With Integrated Red Aiming Laser", © 2016, 5 pages, www.streamlight.com.
 Crimson Trace Corporation, "LTG-736 Lightguard for Glock Full-Size and Compact", © 2016, 3 pages, <http://www.crimsontrace.com/>.
 Crimson Trace Corporation, "LG-452 Laserguard Green Laser Sight for Glock Full-Size and Compact", © 2016, 7 pages, <http://www.crimsontrace.com/>.
 Crimson Trace Corporation, "DS-121 Defender Series Accuguard Laser Sight for Glock Full-Size and Compact", © 2016, 10 pages, <http://www.crimsontrace.com/products/manufacture/glock/01-5100>.

* cited by examiner

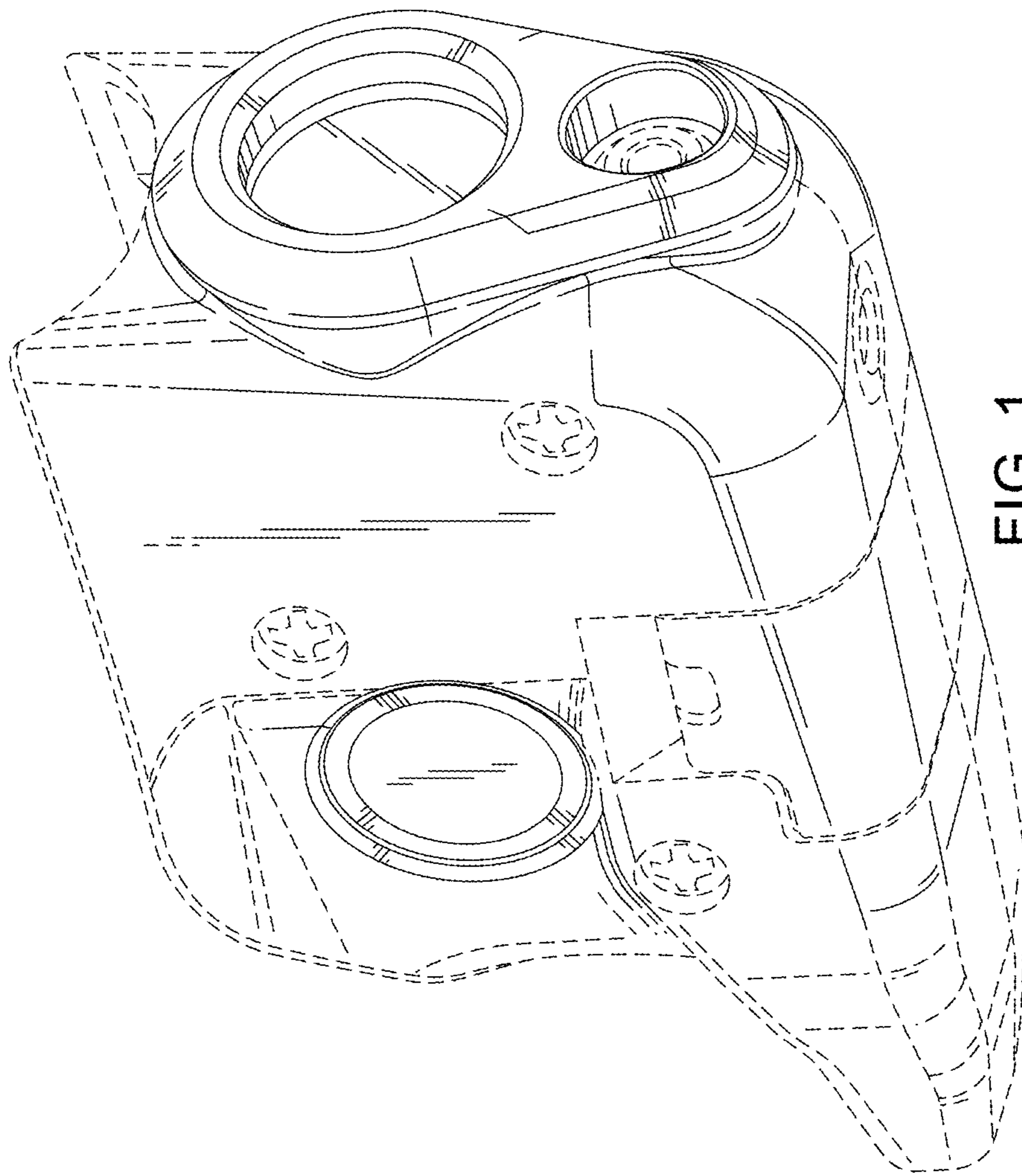


FIG. 1

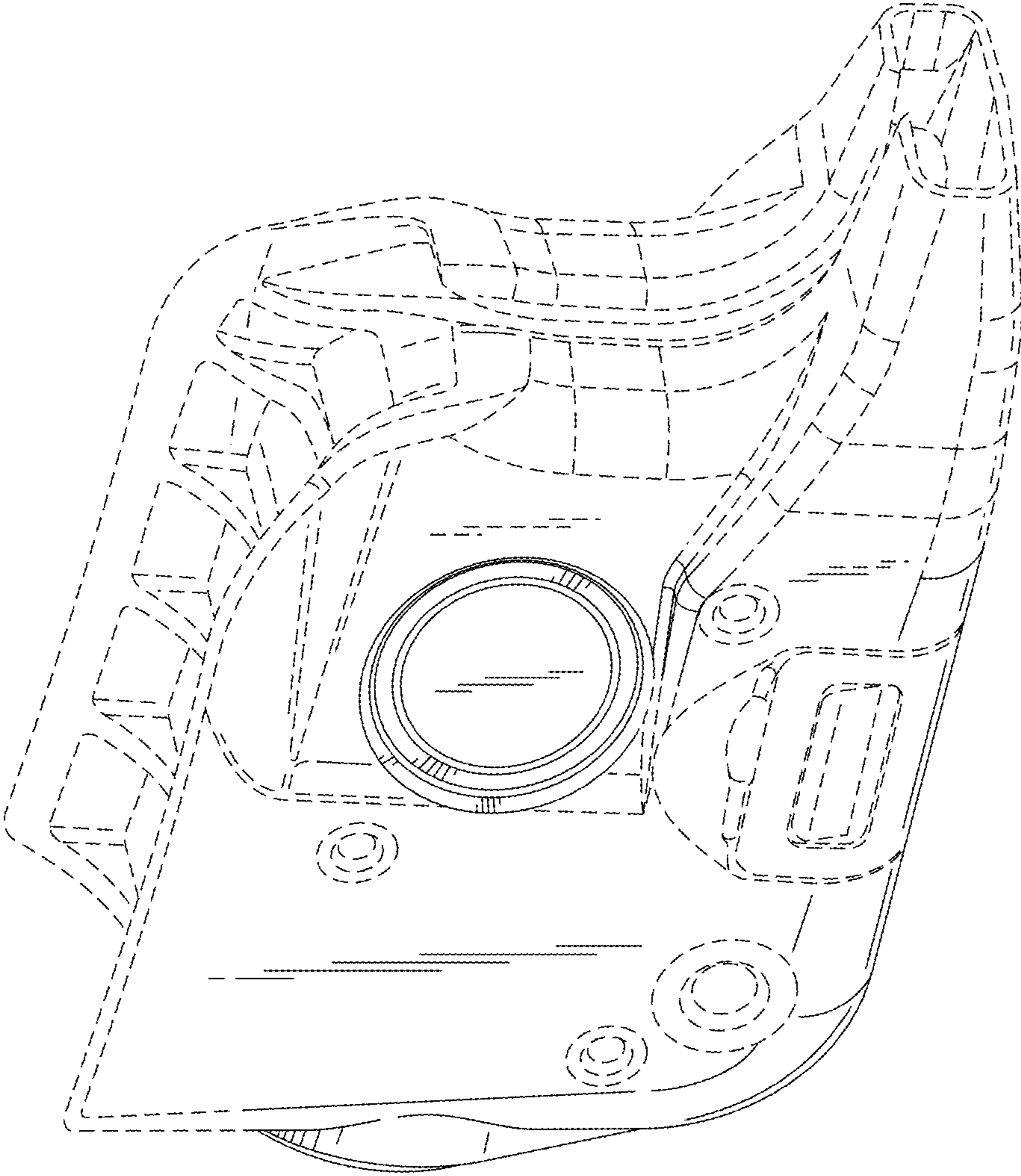


FIG. 2

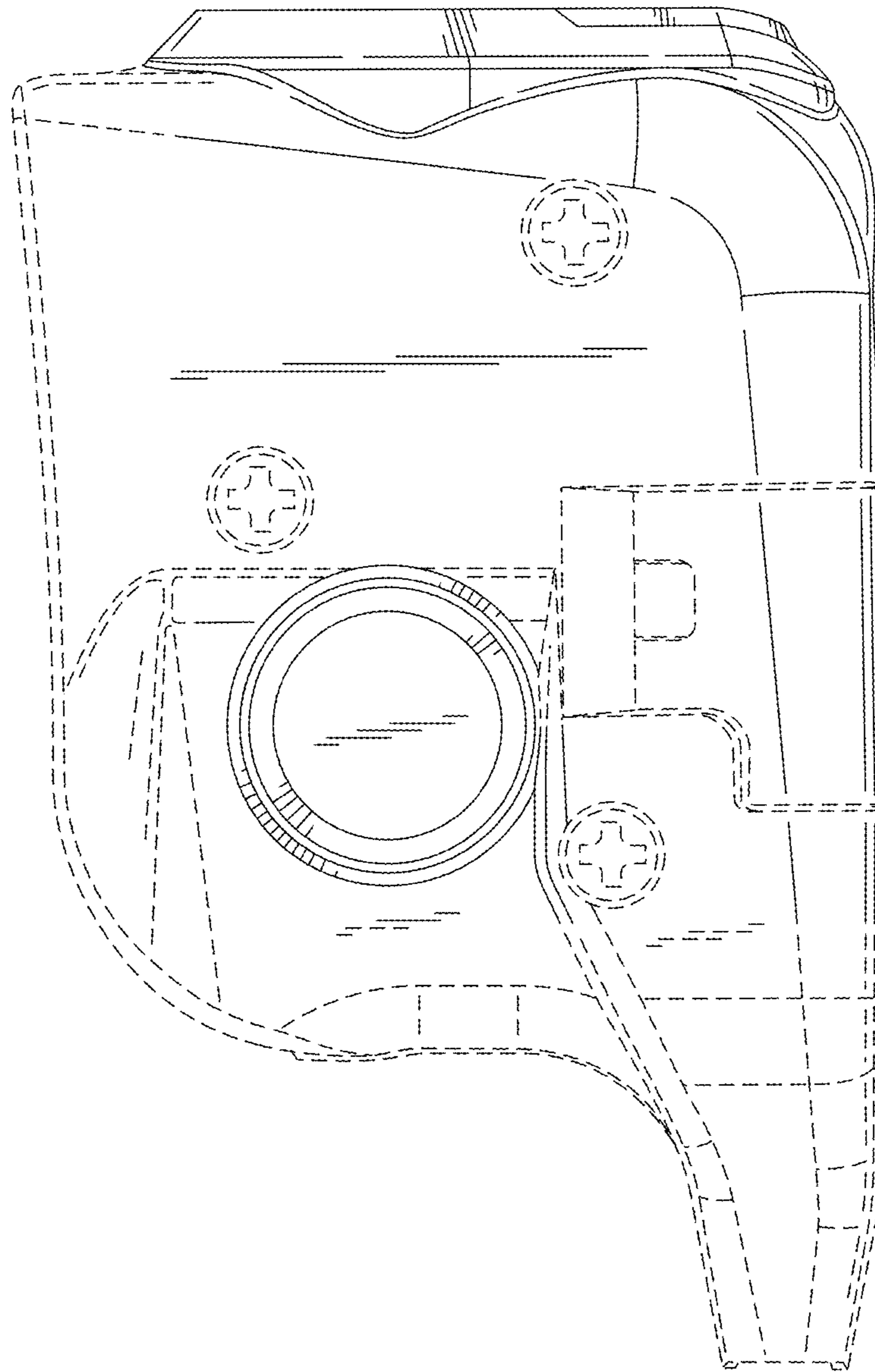


FIG. 3

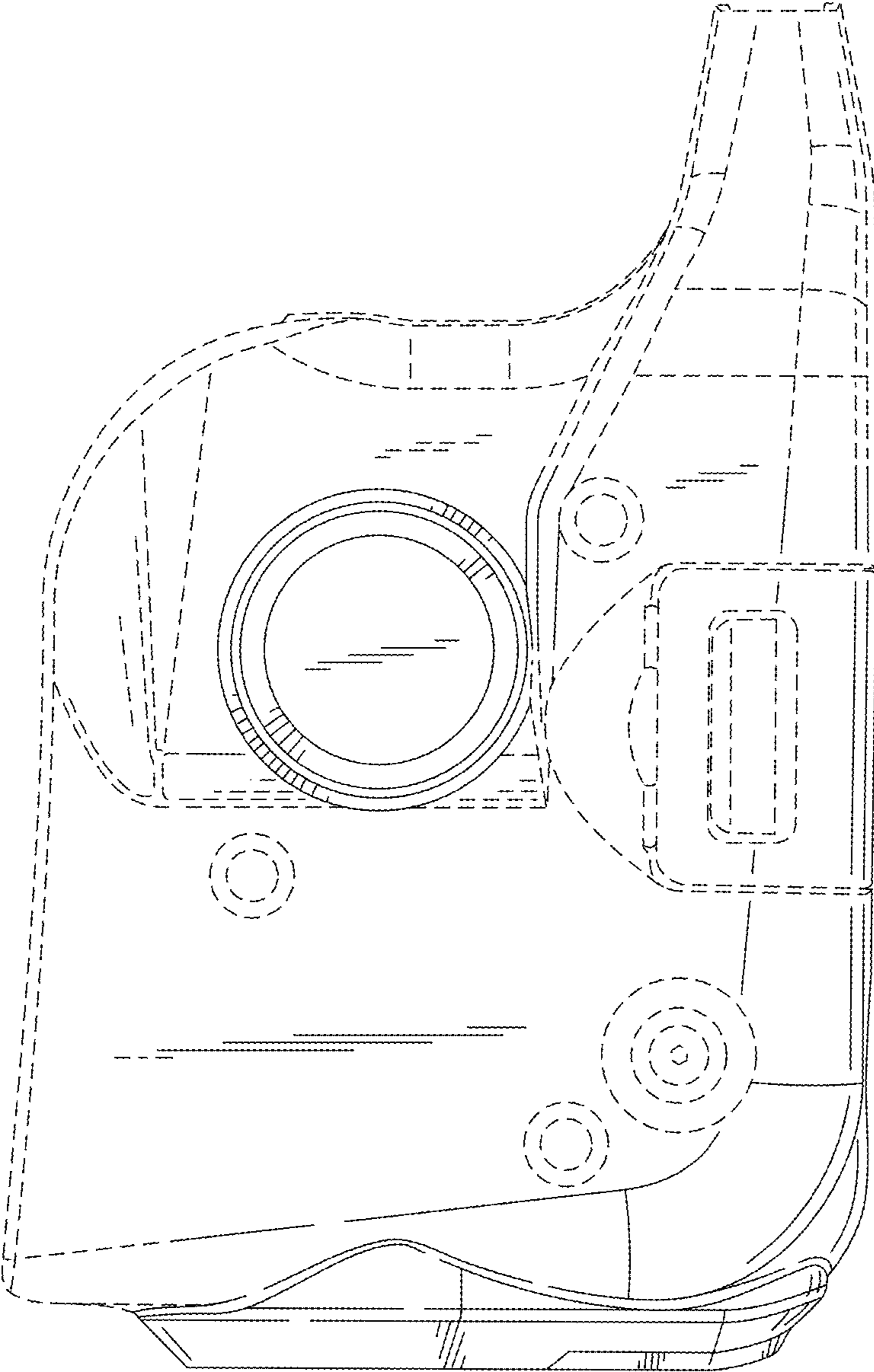


FIG. 4

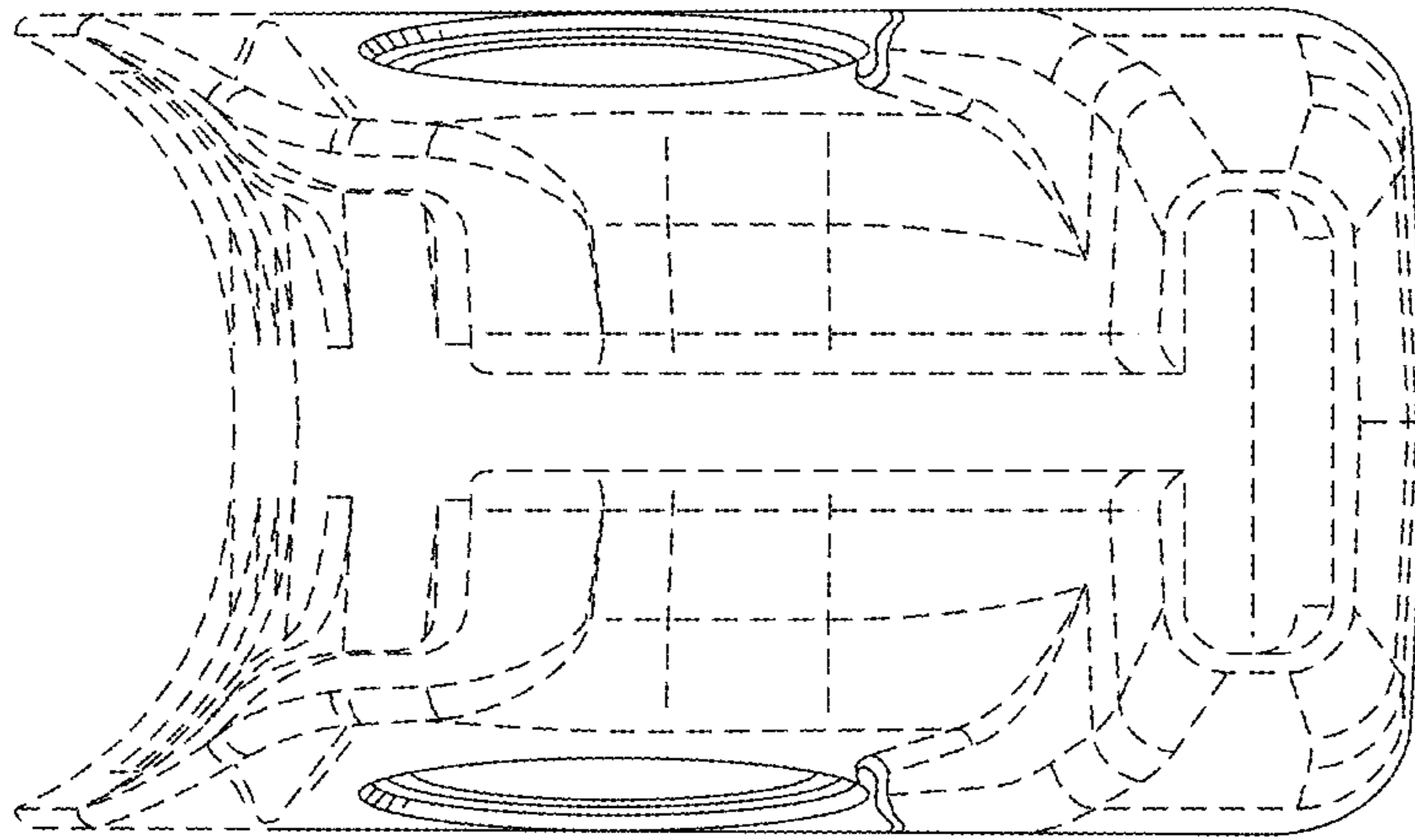


FIG. 6

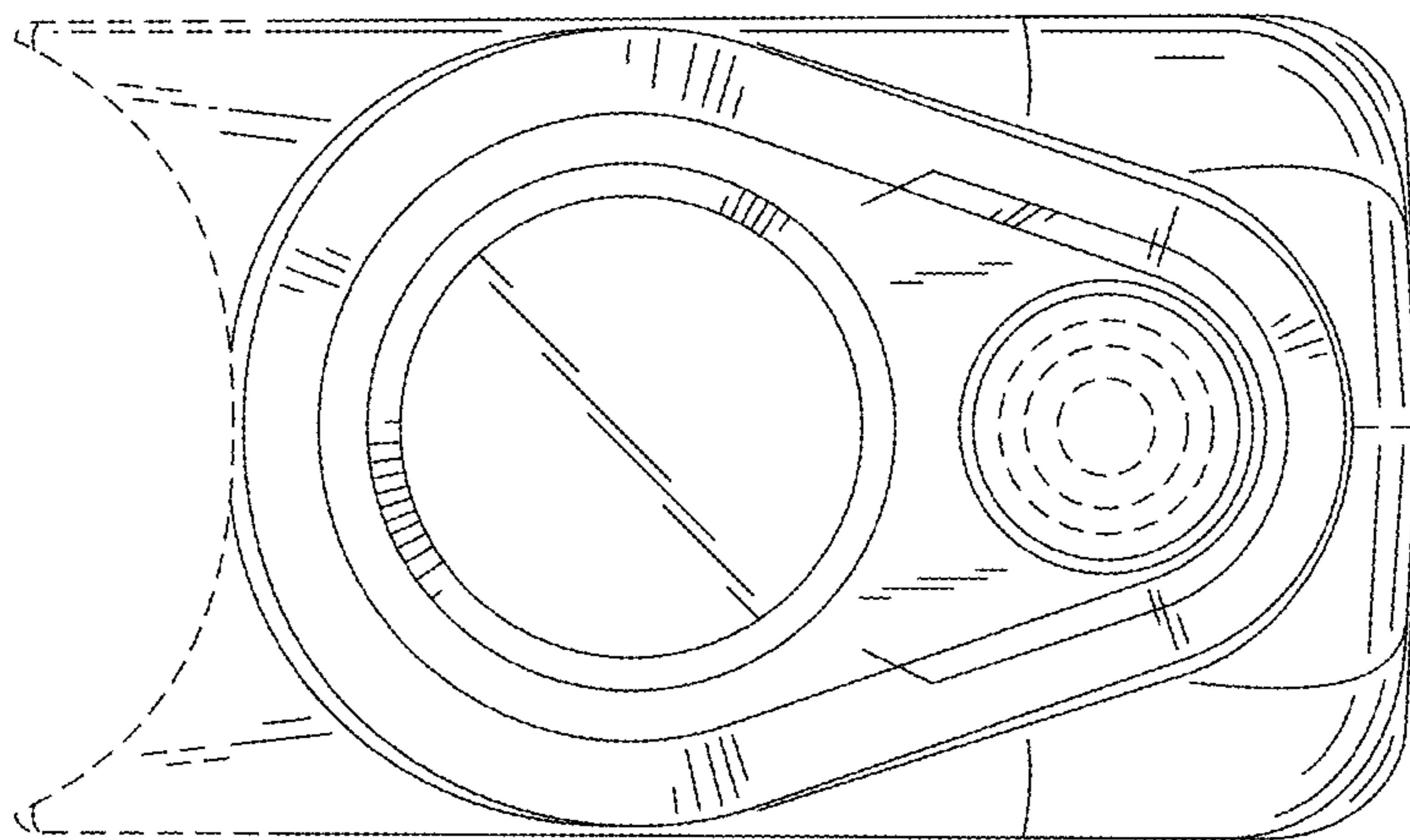


FIG. 5

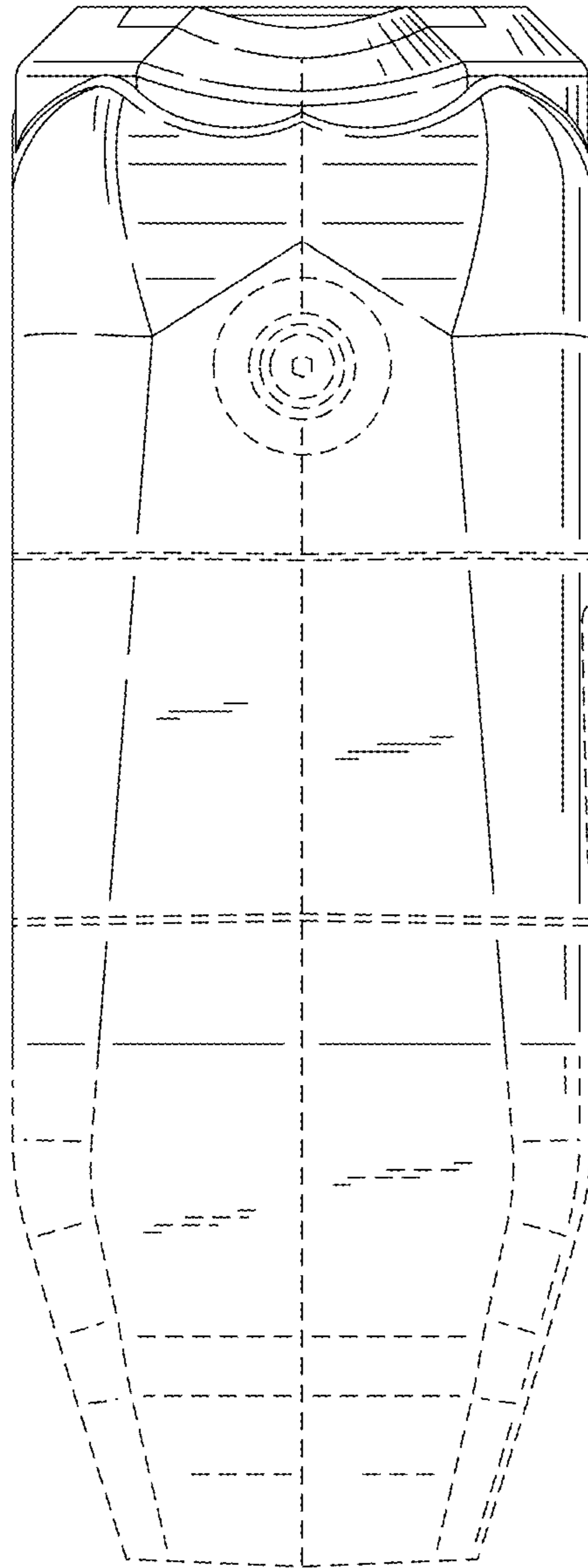


FIG. 7

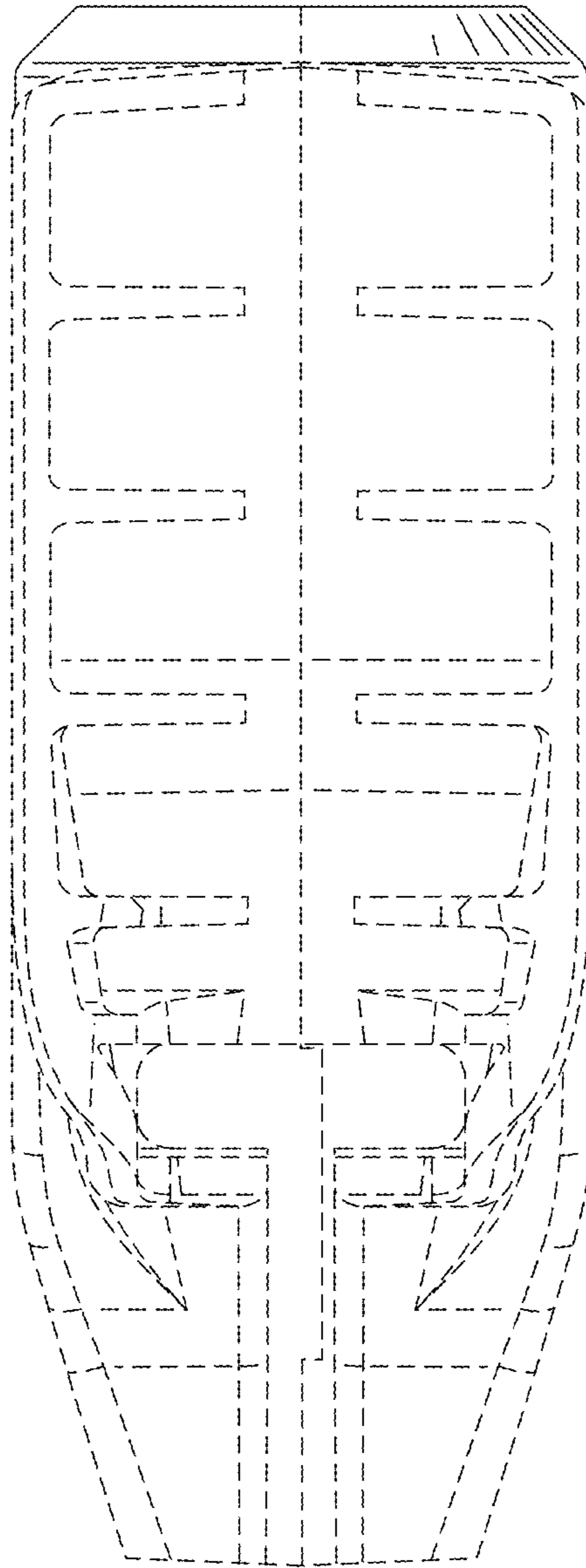


FIG. 8

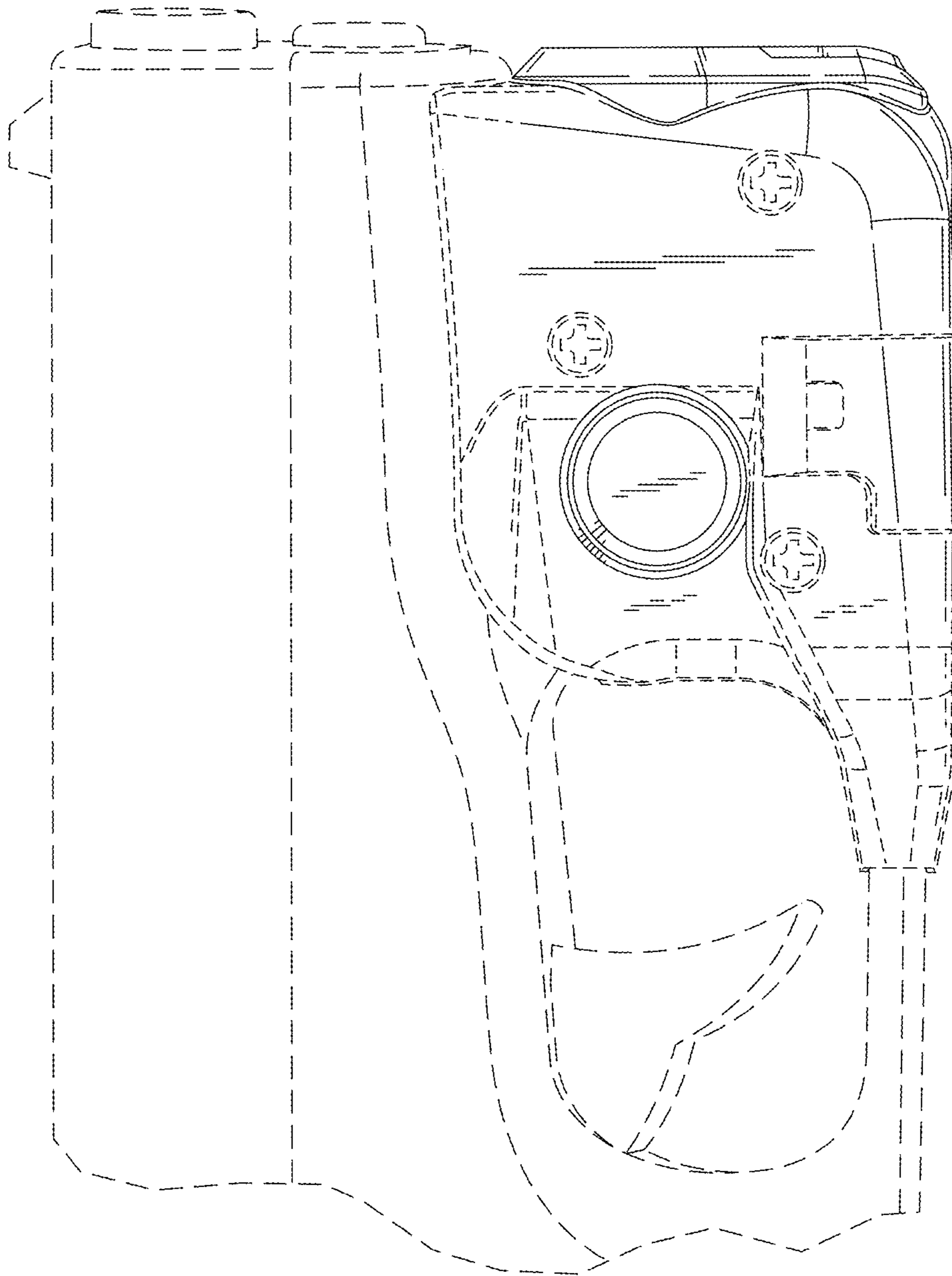


FIG. 9