



US00D796619S

(12) **United States Design Patent**  
**Morris**

(10) **Patent No.:** **US D796,619 S**

(45) **Date of Patent:** **\*\* Sep. 5, 2017**

(54) **RIFLE VENTED LOWER RECEIVER**

D773,585 S \* 12/2016 Miller, III ..... D22/108

(71) Applicant: **F-1 RESEARCH, LLC-PATENTS SERIES**, Spring, TX (US)

\* cited by examiner

(72) Inventor: **Steven Walter Morris**, Spring, TX (US)

*Primary Examiner* — Michael A. Pratt

(74) *Attorney, Agent, or Firm* — James P. Dossey; Phillip W. Black

(73) Assignee: **F-1 Research, LLC—Patent Series**, Spring, TX (US)

(57) **CLAIM**

The ornamental design for a rifle vented lower receiver, as shown and described.

(\*\*) Term: **15 Years**

(21) Appl. No.: **29/564,733**

**DESCRIPTION**

(22) Filed: **May 16, 2016**

(51) **LOC (10) Cl.** ..... **22-01**

(52) **U.S. Cl.**  
USPC ..... **D22/108**

(58) **Field of Classification Search**  
USPC ..... D22/103, 108; D21/572–575  
CPC ..... F41C 23/00; F41C 27/00; F41C 27/06;  
F41C 23/10; F41C 23/14; F41C 23/16;  
F41C 23/18; F41A 5/18; F41A 5/24;  
F41A 21/28  
See application file for complete search history.

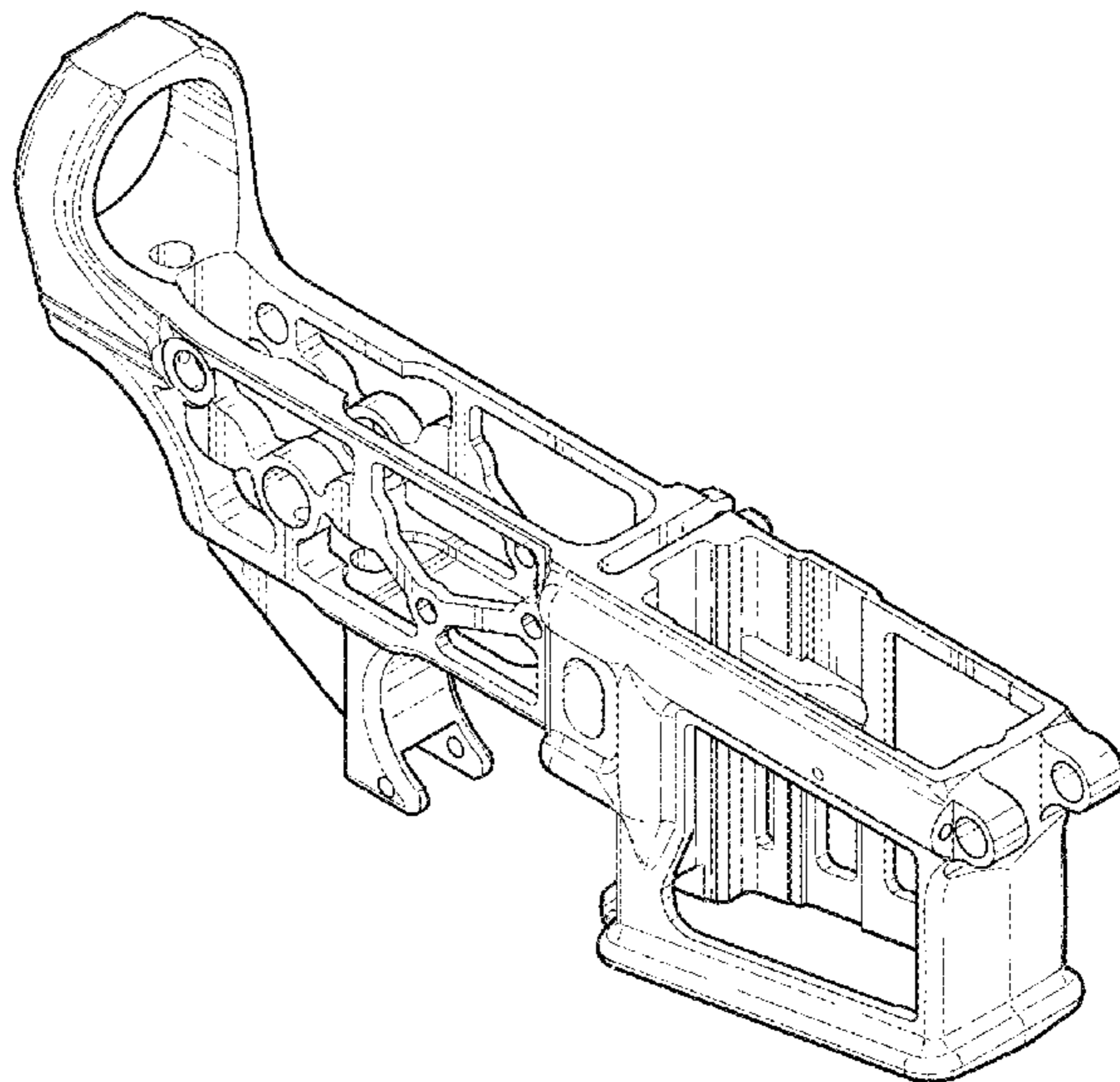
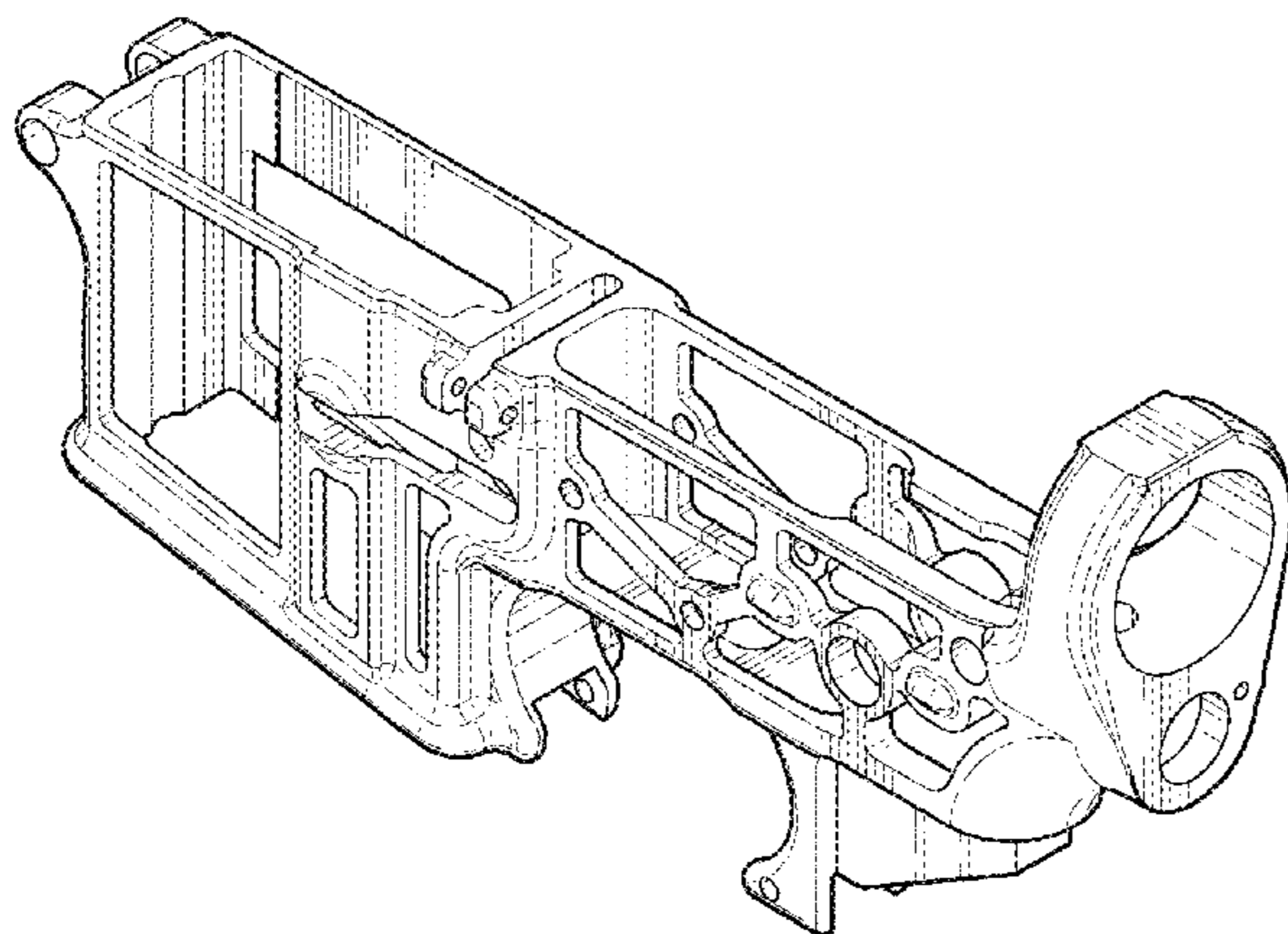
FIG. 1 is an isometric front view showing the left side of an embodiment of the apparatus disclosed herein;  
FIG. 2 is an isometric front view showing the right side of an embodiment of the apparatus of FIG. 1;  
FIG. 3 is a plain side view showing the right side of the apparatus of FIG. 1;  
FIG. 4 is a plain side view showing the left side of the apparatus of FIG. 1;  
FIG. 5 is a plain top view of the apparatus of FIG. 1;  
FIG. 6 is a plain bottom view of the apparatus of FIG. 1;  
FIG. 7 is a plain front view showing the front side of the apparatus of FIG. 1; and,  
FIG. 8 is a plain back view showing the back side of the apparatus of FIG. 1.  
The broken lines, shading, and cross-hatching presented in the drawings are for illustration only and do not form a part of the claimed design.

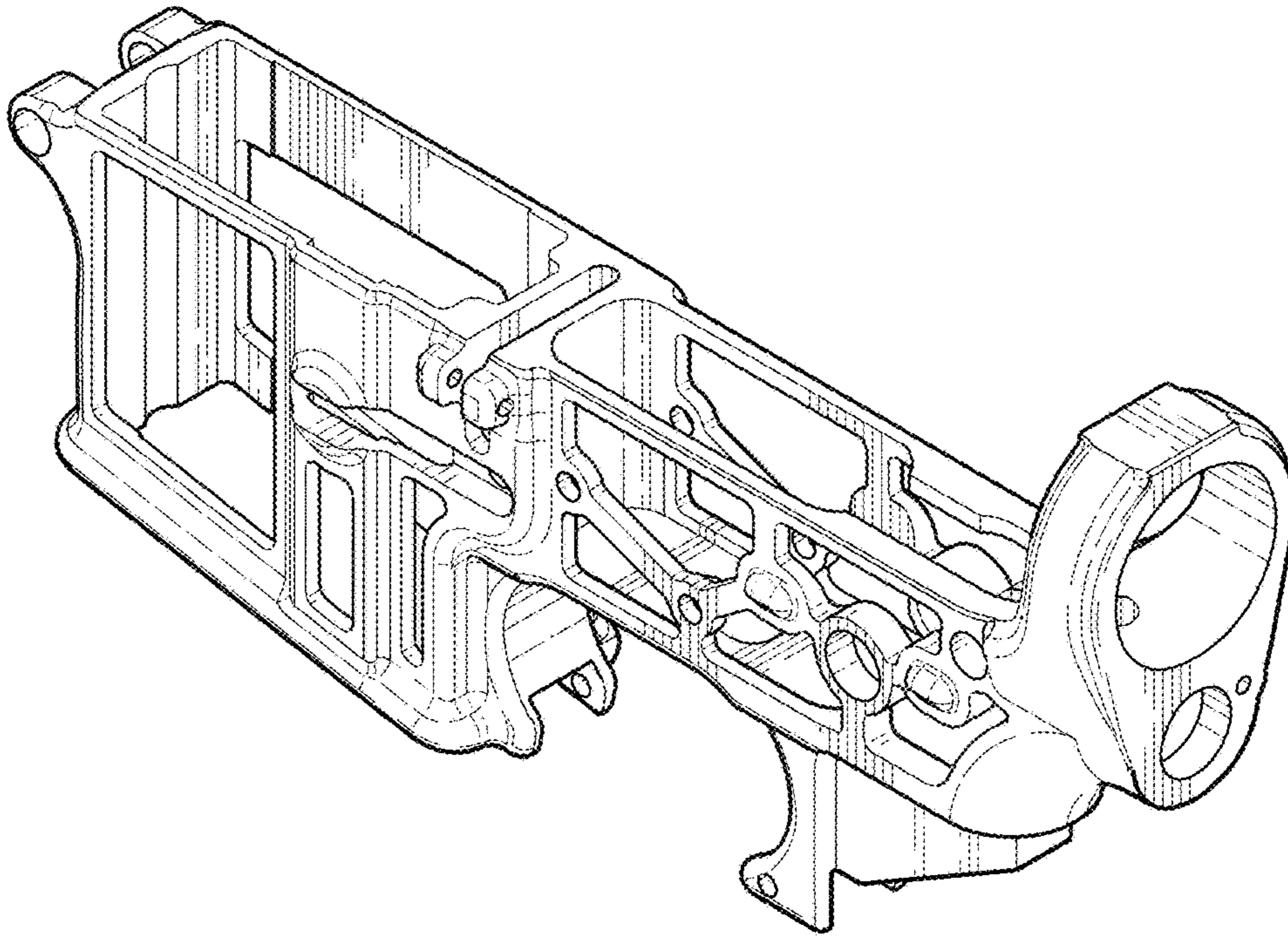
(56) **References Cited**

**U.S. PATENT DOCUMENTS**

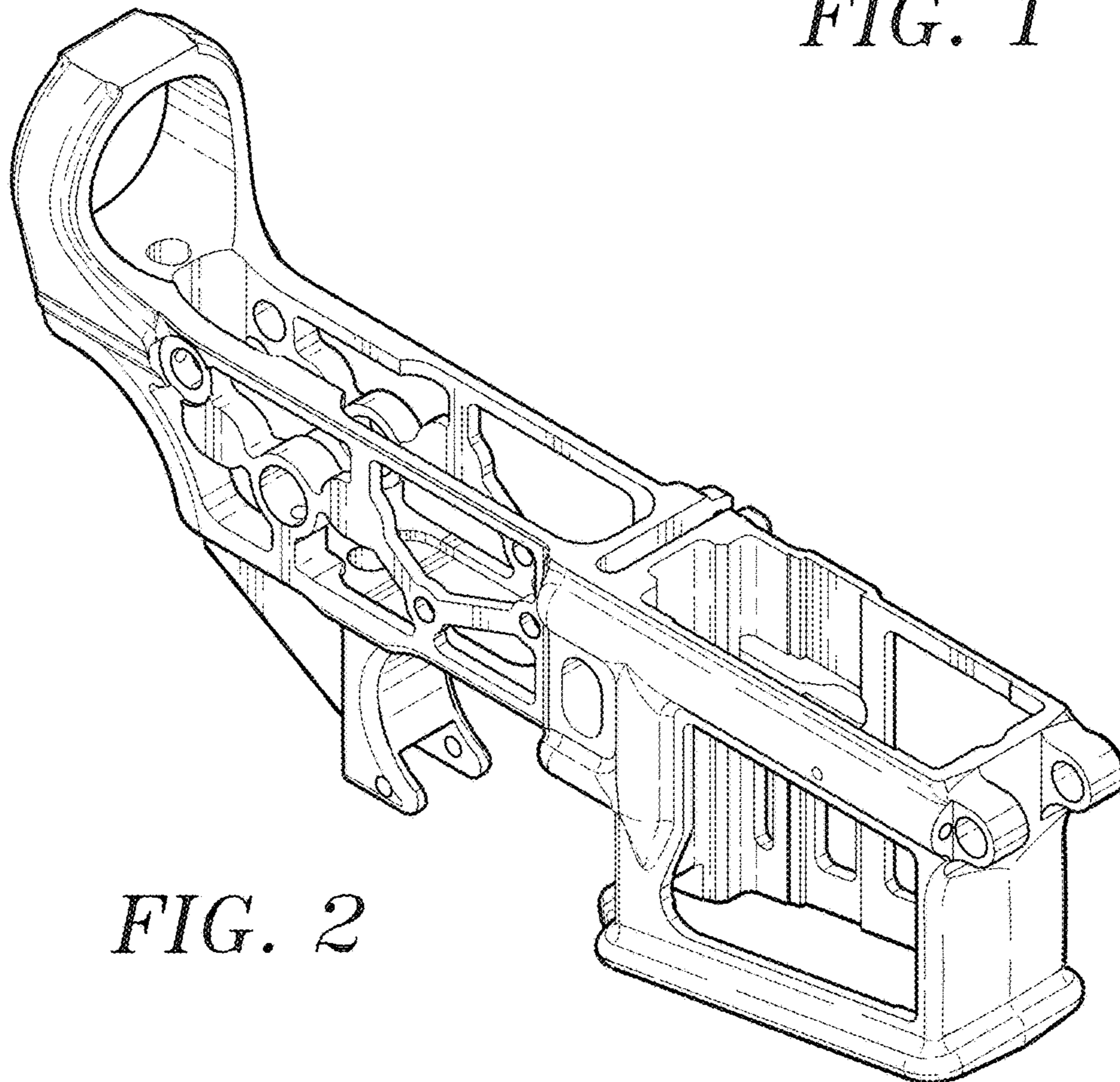
D729,893 S	*	5/2015	Foster	.....	D22/103
D746,936 S	*	1/2016	Huang	.....	D22/108
D765,211 S	*	8/2016	Huang	.....	D22/108

**1 Claim, 3 Drawing Sheets**

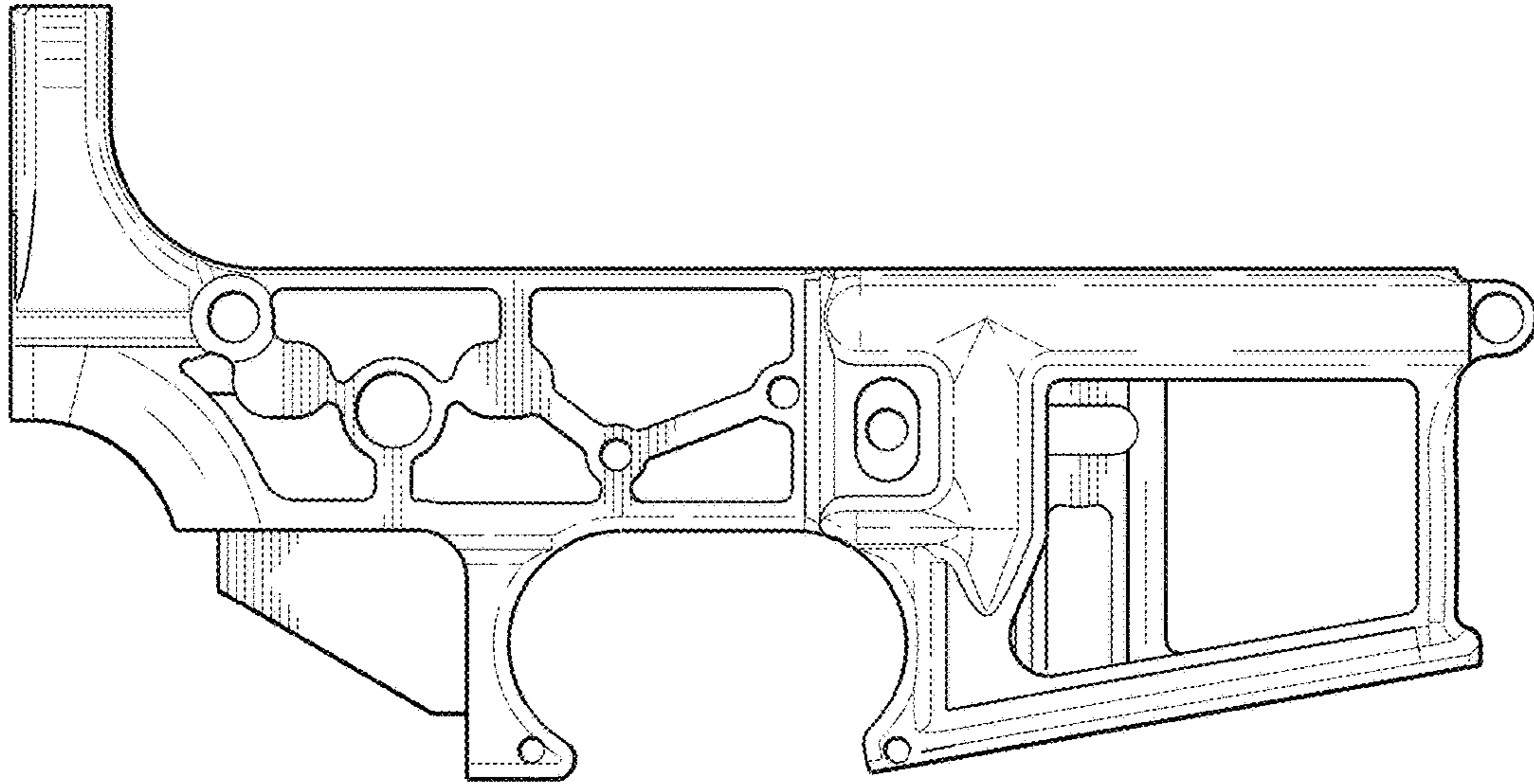




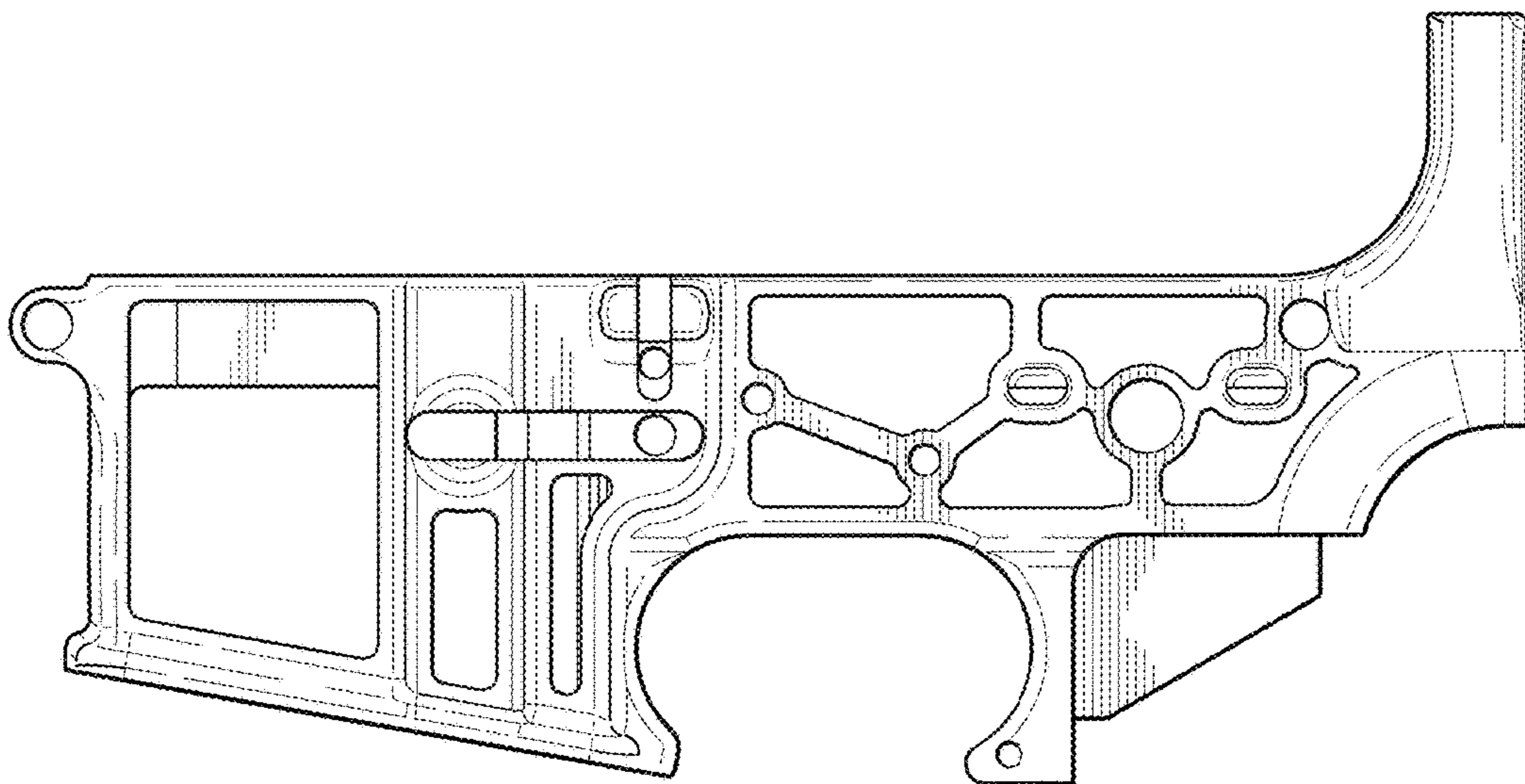
*FIG. 1*



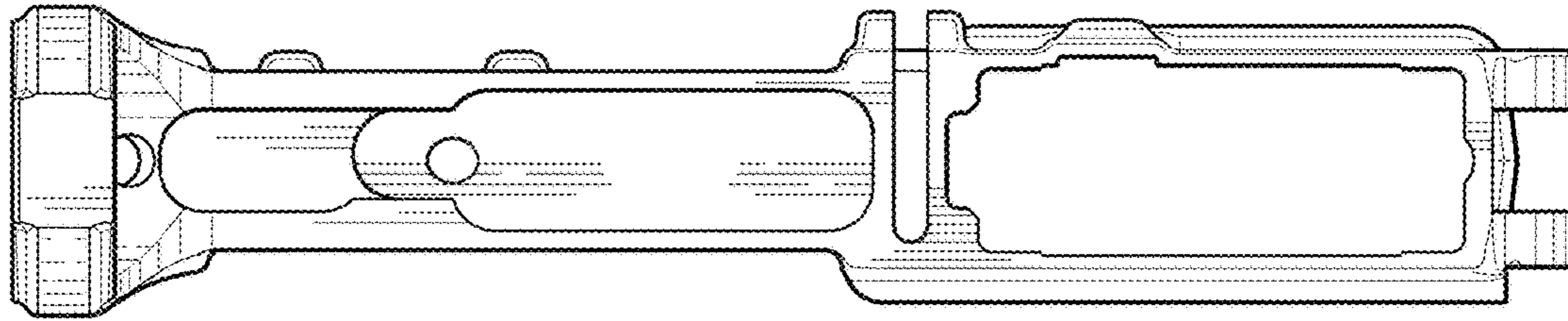
*FIG. 2*



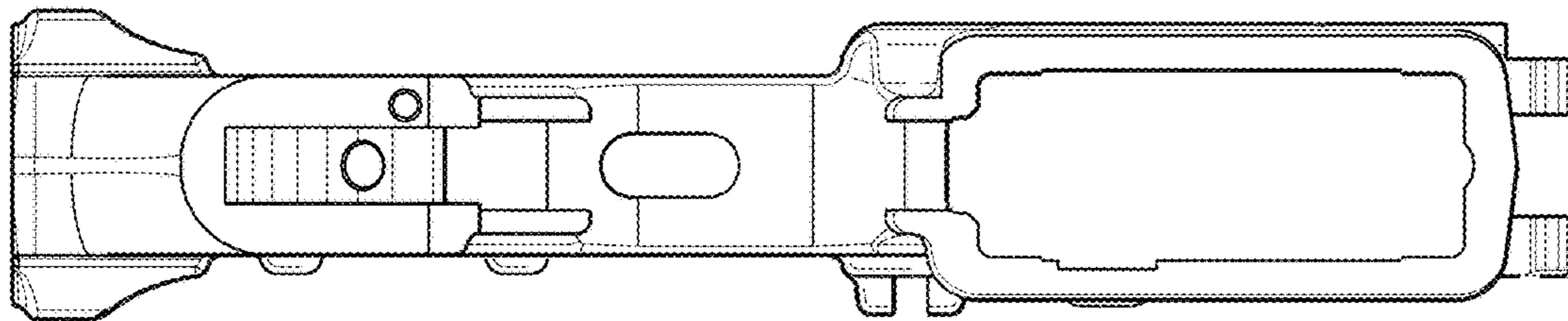
*FIG. 3*



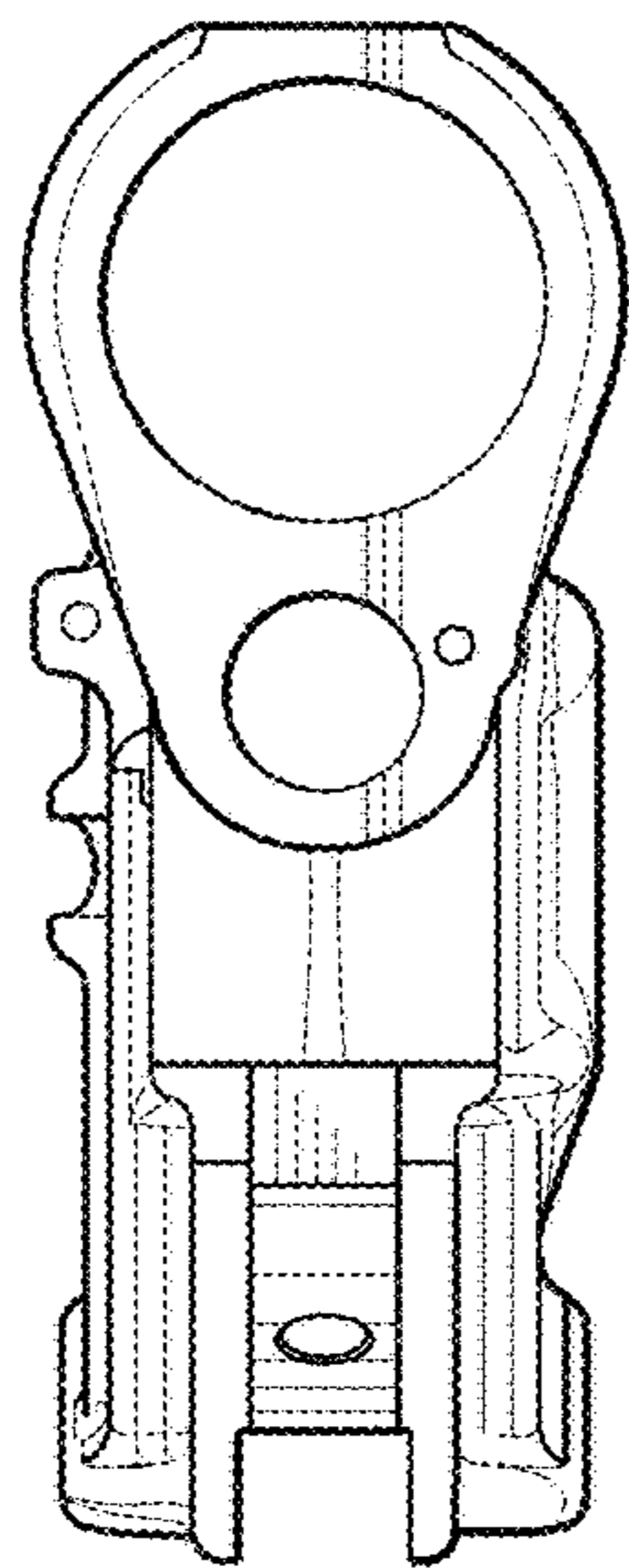
*FIG. 4*



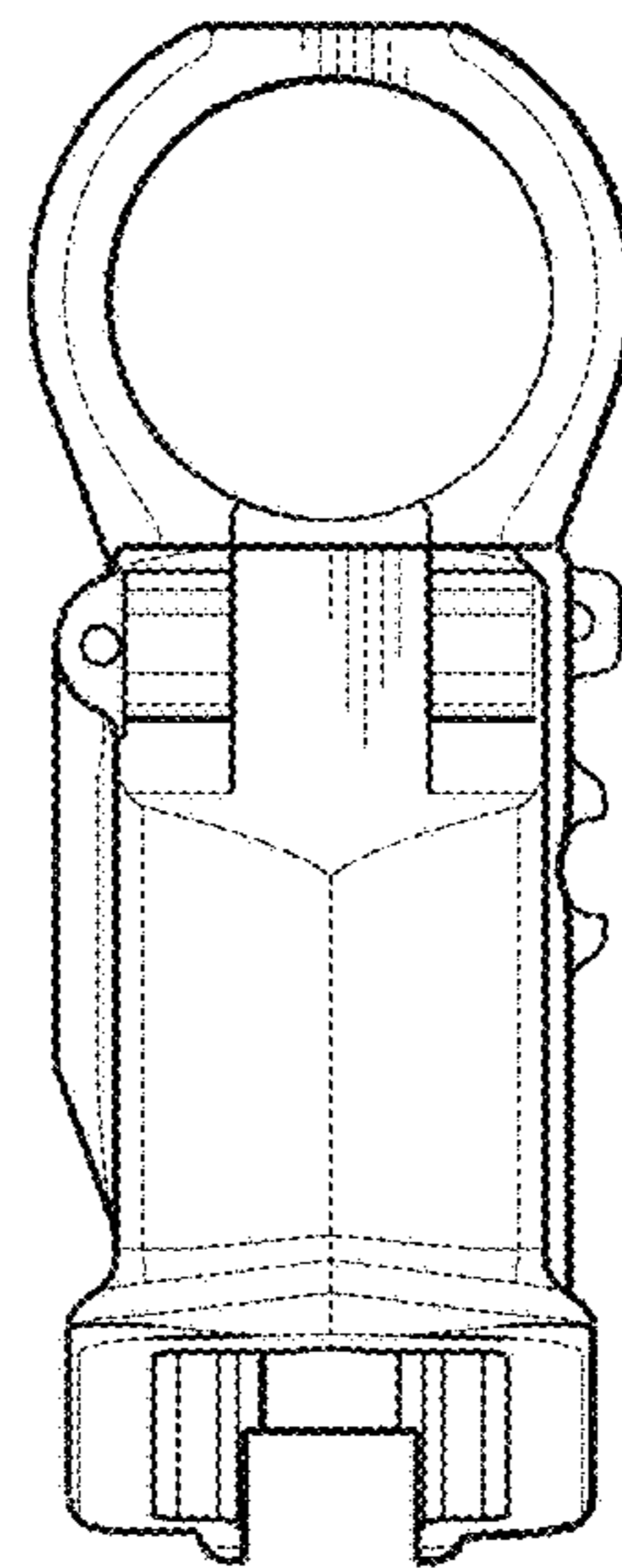
*FIG. 5*



*FIG. 6*



*FIG. 7*



*FIG. 8*