



US00D796616S

(12) **United States Design Patent**
Errett

(10) **Patent No.:** **US D796,616 S**

(45) **Date of Patent:** **** Sep. 5, 2017**

(54) **CAPTURE NOCK FOR CROSSBOW ARROW**

(71) Applicant: **Parker Compound Bows, Inc.**, Mint Spring, VA (US)

(72) Inventor: **Robert O. Errett**, Staunton, VA (US)

(73) Assignee: **Parker Compound Bows, Inc.**, Mint Springs, VA (US)

(**) Term: **15 Years**

(21) Appl. No.: **29/564,936**

(22) Filed: **May 17, 2016**

(51) **LOC (10) Cl.** **22-01**

(52) **U.S. Cl.**
USPC **D22/107**

(58) **Field of Classification Search**
USPC D22/107
CPC F41B 5/12; F41B 5/148
See application file for complete search history.

(56) **References Cited**

U.S. PATENT DOCUMENTS

- 4,544,163 A * 10/1985 Scanlon F42B 6/06
473/578
- D717,389 S * 11/2014 Huang D22/107
- 8,944,944 B2 * 2/2015 Pedersen F42B 12/382
473/570
- 9,255,755 B1 * 2/2016 Barnett F41B 5/12

- 9,513,075 B2 * 12/2016 Lallier F41A 9/73
- 9,518,805 B1 * 12/2016 Daniels F42B 6/06
- 2014/0087896 A1 * 3/2014 Torkelson F41B 5/1411
473/578
- 2016/0018175 A1 * 1/2016 Lallier F41A 9/73
124/25.6
- 2017/0045343 A1 * 2/2017 Bay F42B 6/06

* cited by examiner

Primary Examiner — Michael A. Pratt

(74) *Attorney, Agent, or Firm* — Daniel L. Fitch

(57) **CLAIM**

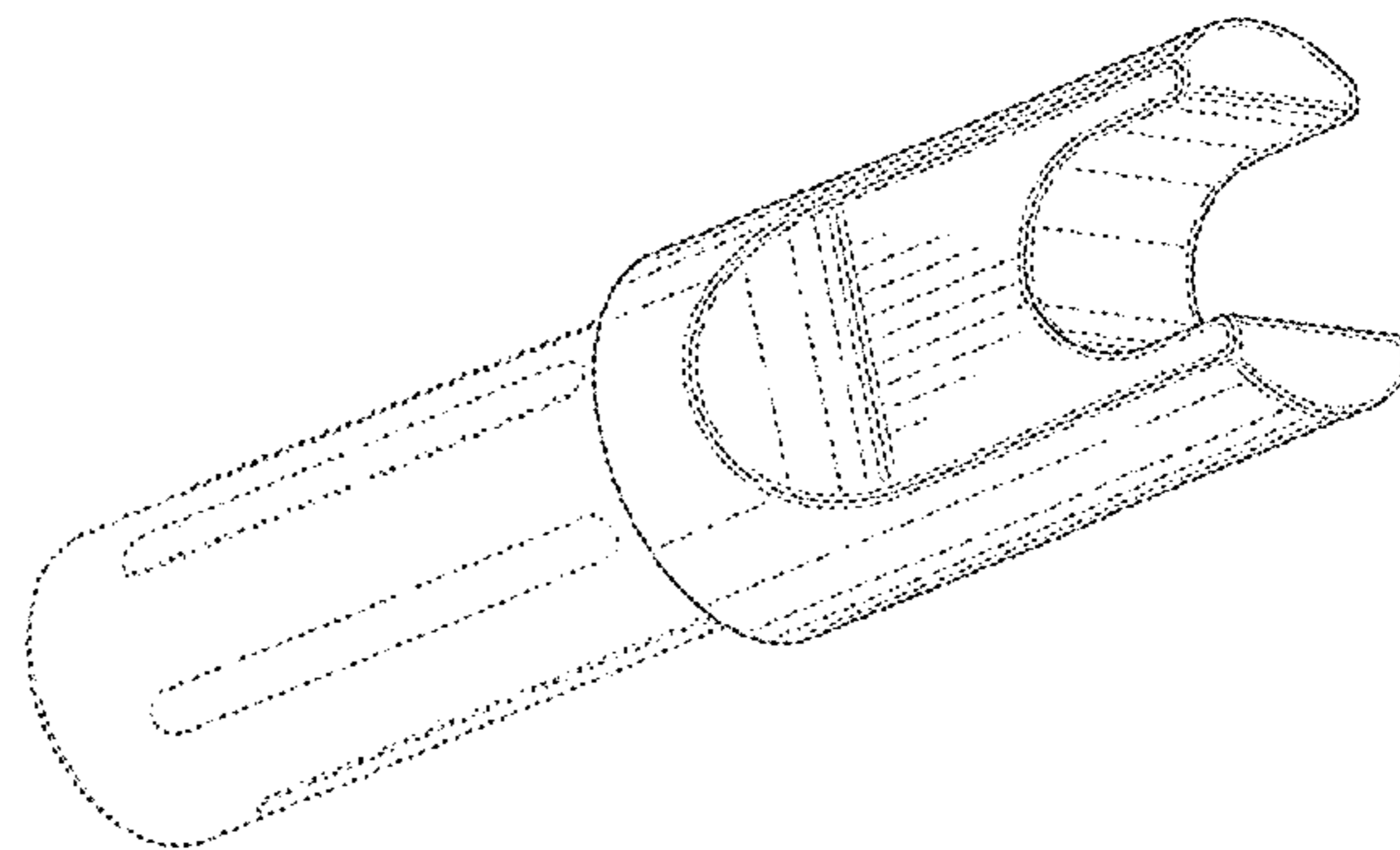
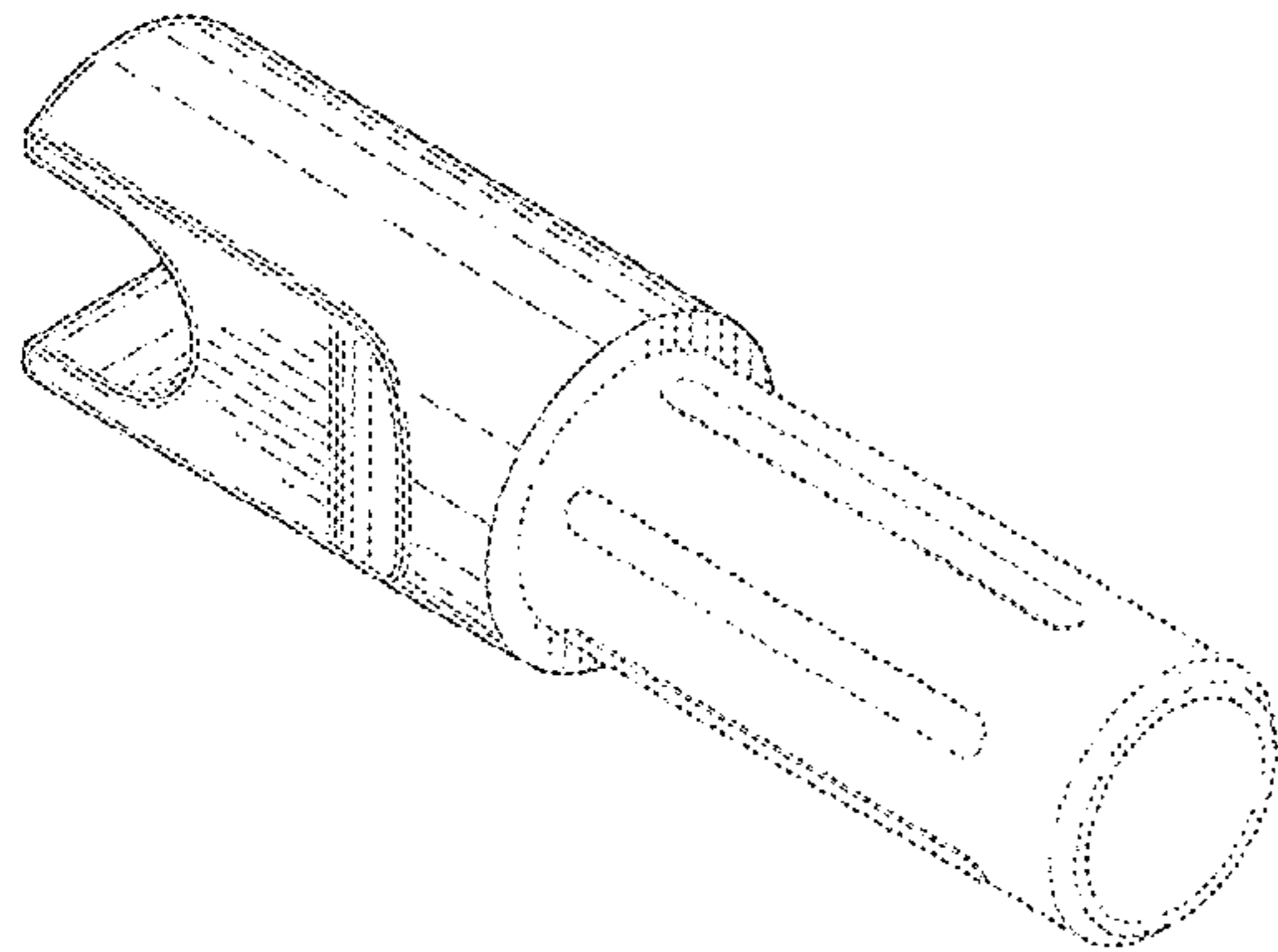
I claim, the ornamental design for a capture nock for a crossbow arrow, as shown and described.

DESCRIPTION

FIG. 1 is a bottom perspective view of a capture nock for a crossbow arrow showing the new design.
 FIG. 2 is a top perspective view thereof;
 FIG. 3 is a left side view thereof;
 FIG. 4 is a right side thereof;
 FIG. 5 is a front view thereof;
 FIG. 6 is a back view thereof;
 FIG. 7 is a top view thereof; and,
 FIG. 8 is a bottom view thereof.

The broken lines showing of portions of the capture nock for a crossbow in FIGS. 1-8 are included for purpose of illustrating environment and form no part of the claimed design. The claimed capture nock for a crossbow arrow is used for proper alignment of a crossbow arrow and to reduce the likelihood of dry-firing the cocked crossbow.

1 Claim, 4 Drawing Sheets



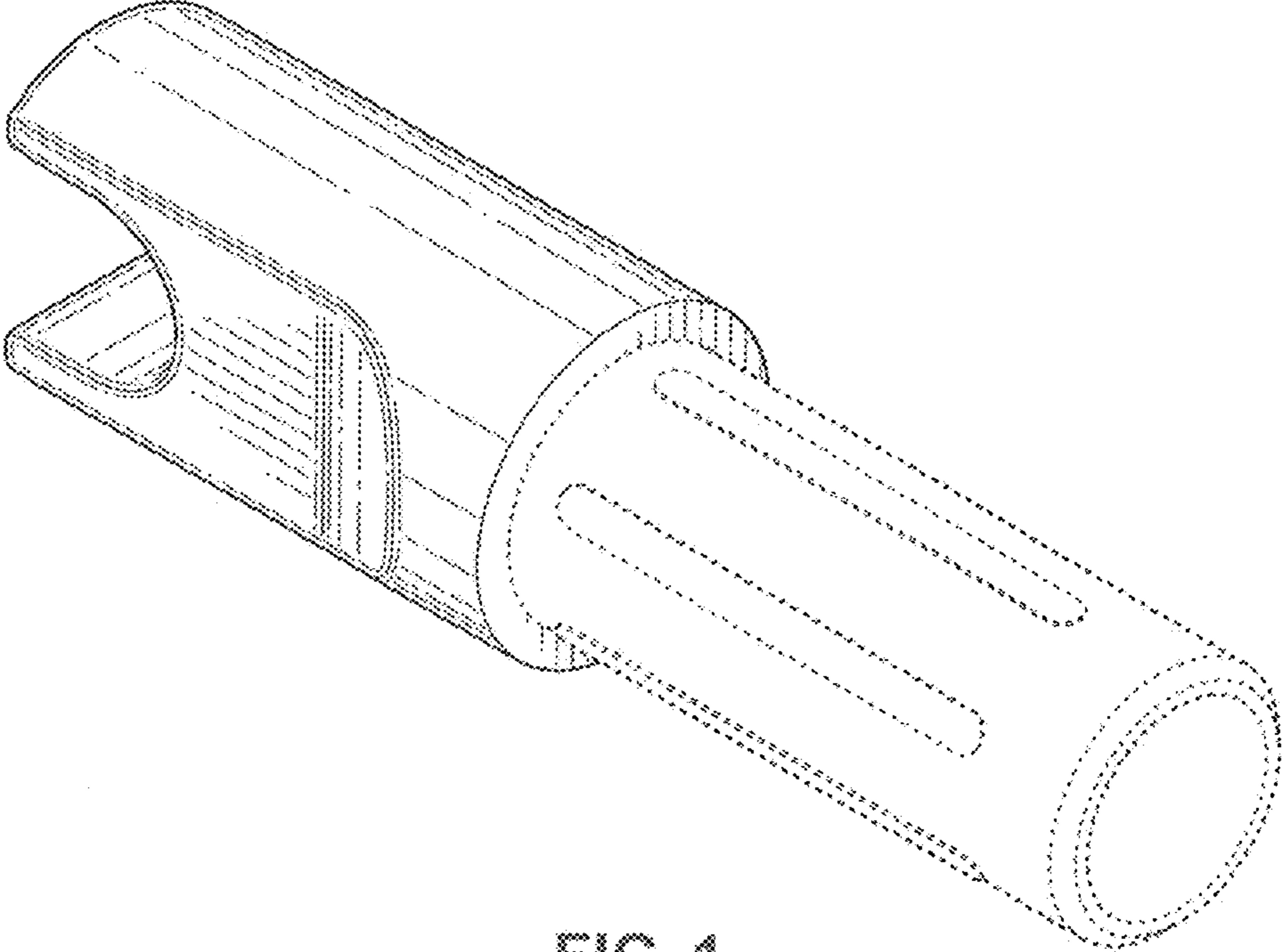


FIG. 1

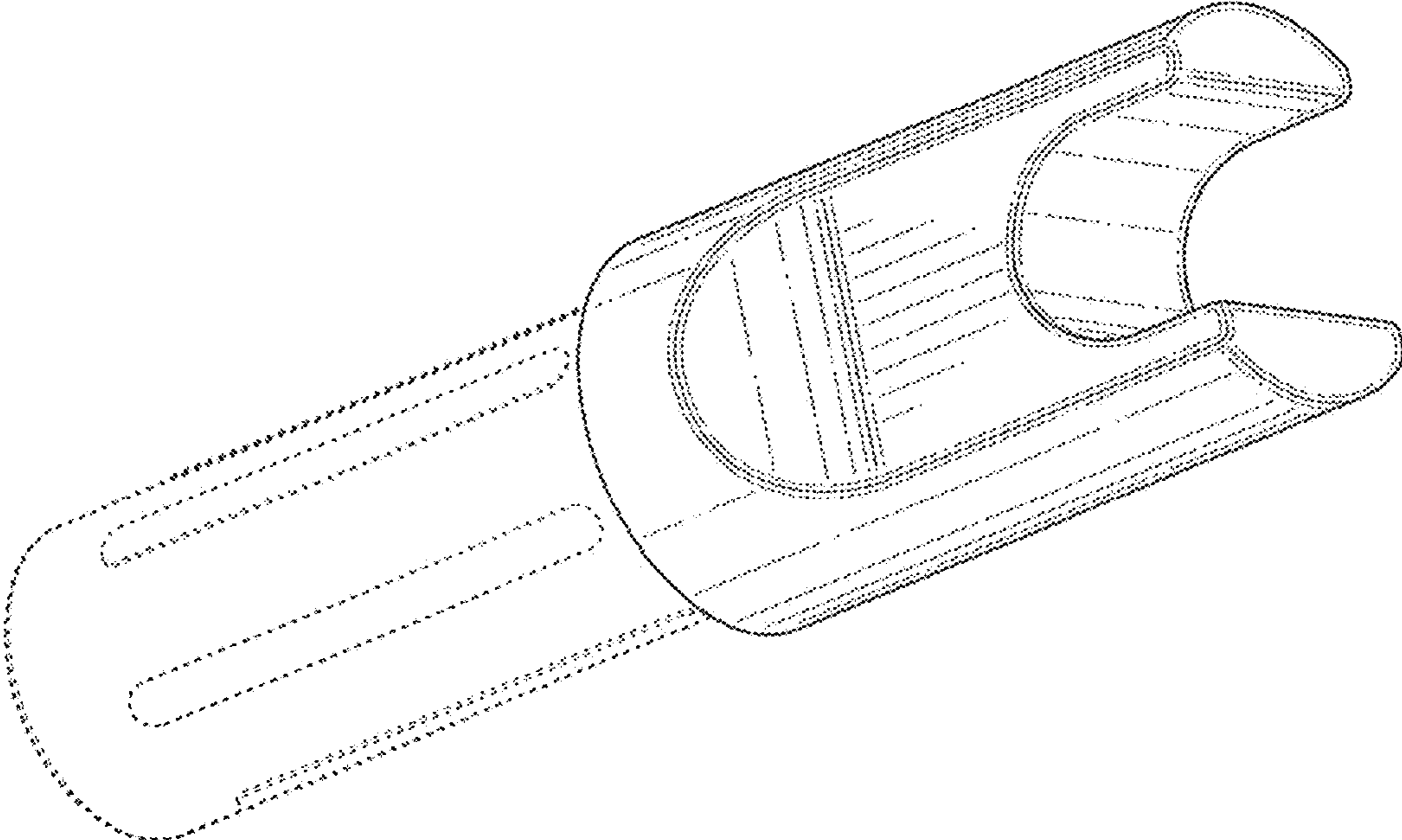


FIG. 2

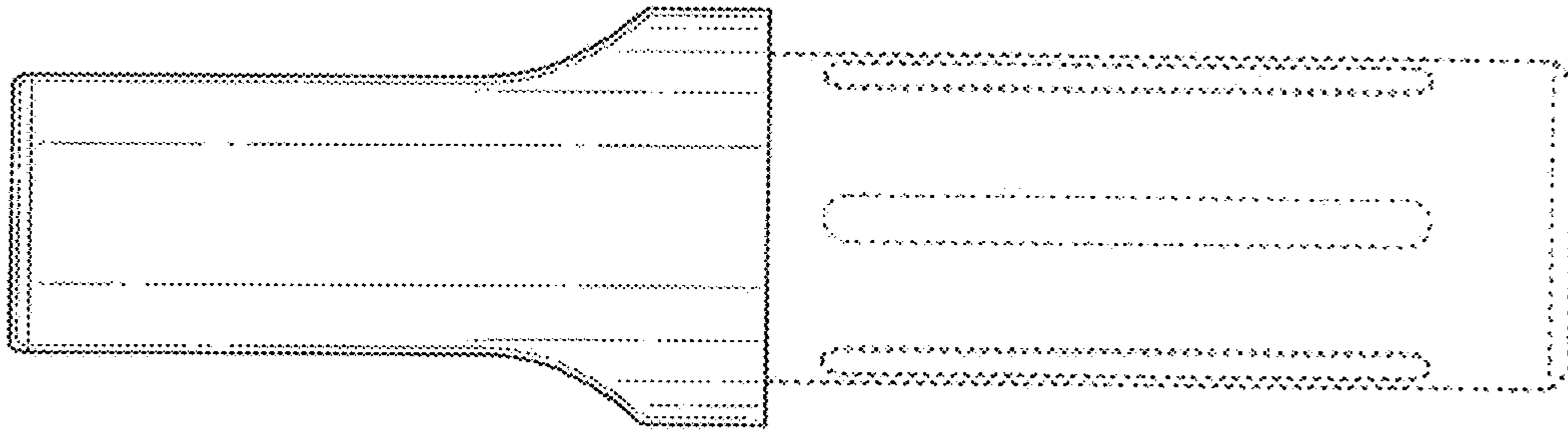


FIG. 3

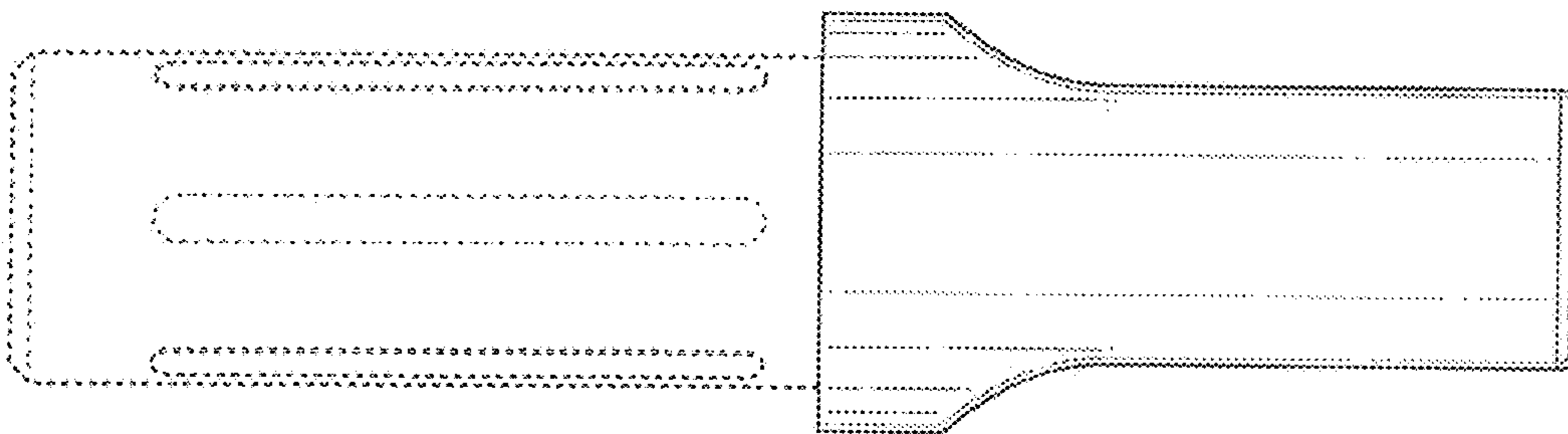


FIG. 4

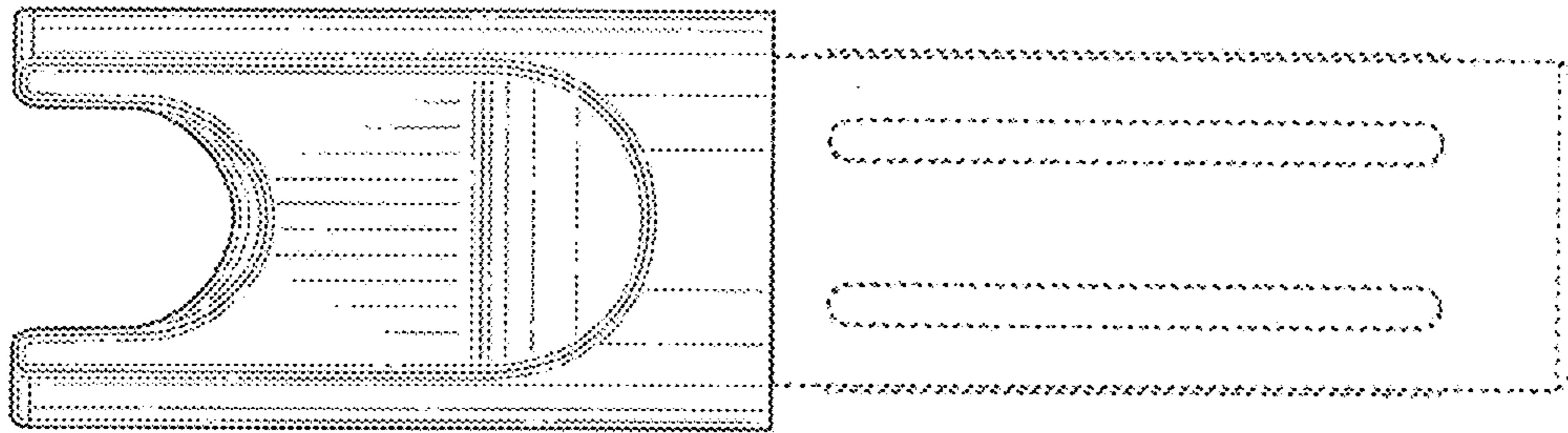


FIG. 5

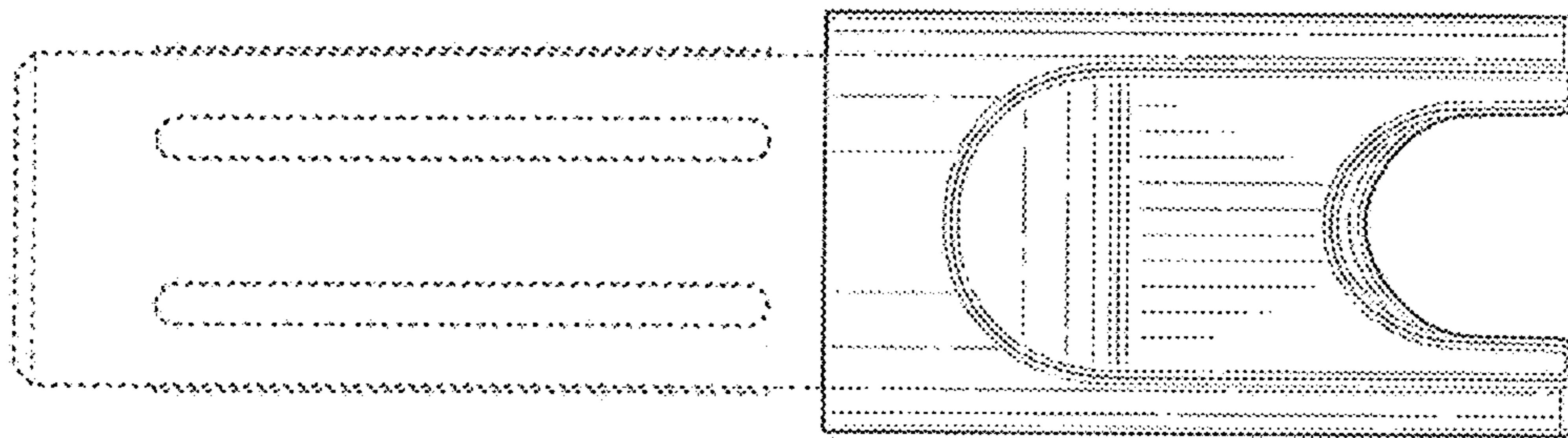


FIG. 6

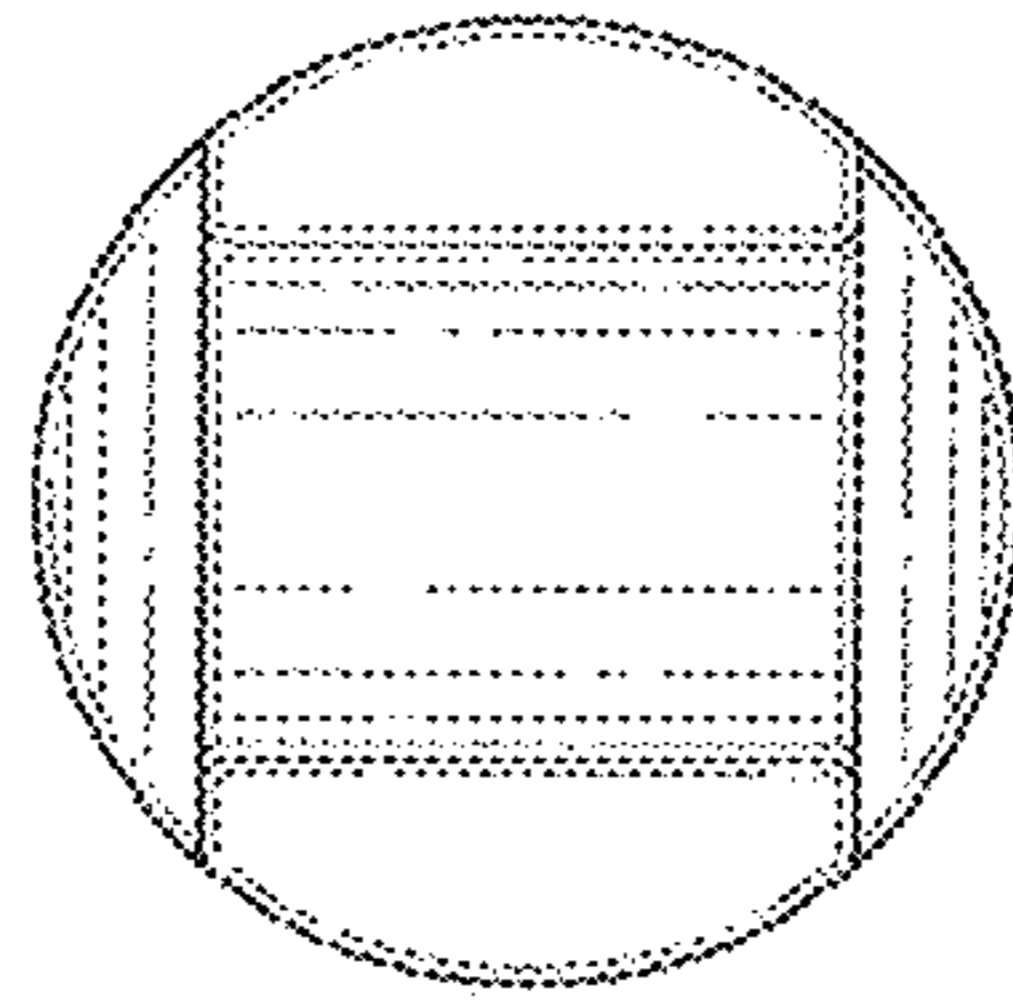


FIG. 7

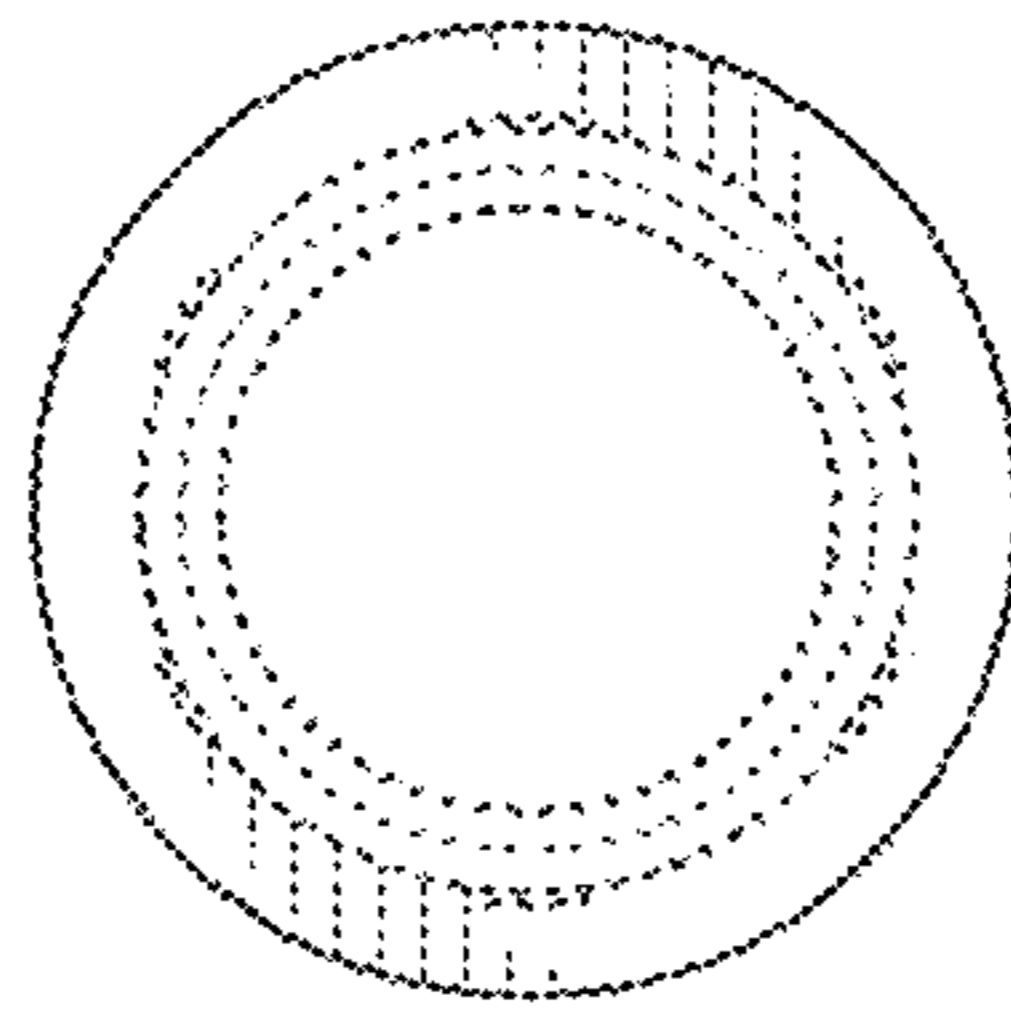


FIG. 8