



US00D796614S

(12) **United States Design Patent** (10) **Patent No.:** **US D796,614 S**
Chen (45) **Date of Patent:** **** Sep. 5, 2017**

(54) **TRAMPOLINE**
(71) Applicant: **Samuel Chen**, Shanghai (CN)
(72) Inventor: **Samuel Chen**, Shanghai (CN)
(**) Term: **15 Years**
(21) Appl. No.: **29/552,469**
(22) Filed: **Jan. 22, 2016**
(51) **LOC (10) Cl.** **21-02**
(52) **U.S. Cl.**
USPC **D21/797**
(58) **Field of Classification Search**
USPC D21/797, 668, 669, 834, 826; D6/716;
482/27, 35, 29, 112, 33, 110, 148, 28, 77,
482/147, 51; 297/452.18; 135/96, 117;
D30/112; D25/1, 16, 22, 56; 446/220;
473/469; 182/139, 224; 273/395, 402
CPC A63B 5/11; A63B 21/023; A63B 2208/12;
A63B 71/022; A63B 2210/50
See application file for complete search history.

(56) **References Cited**
U.S. PATENT DOCUMENTS
4,900,011 A * 2/1990 Nolet A47D 13/063
482/29
6,053,845 A * 4/2000 Publicover A63B 5/11
482/27
6,607,468 B1 * 8/2003 Nichols, Jr. A63B 5/11
482/27
D570,947 S * 6/2008 Horne D21/797
7,481,740 B2 * 1/2009 Colling A63B 5/11
482/27
D614,715 S * 4/2010 Mann D21/797
7,794,360 B2 * 9/2010 Publicover A63B 5/11
482/27
7,850,575 B1 * 12/2010 Hsiang A63B 71/022
482/27
7,854,687 B2 * 12/2010 Alexander A63B 5/11
482/27

D630,285 S * 1/2011 Hsiang D21/797
7,883,446 B2 * 2/2011 Lovley, II A63B 5/11
482/27
8,012,066 B1 * 9/2011 Hsiang A63B 5/11
482/27
D653,299 S * 1/2012 Samuel D21/797
D664,228 S * 7/2012 Hsiang D21/797
D684,233 S * 6/2013 Yang D21/797
D712,497 S * 9/2014 Yang D21/797
D717,899 S * 11/2014 Chen D21/797
D718,827 S * 12/2014 Chen D21/797
9,084,908 B1 * 7/2015 Chen A63B 5/11
9,089,732 B2 * 7/2015 Andon A63B 5/11
D755,914 S * 5/2016 Andon D21/797
9,399,152 B2 * 7/2016 Yang A63B 5/11
(Continued)

OTHER PUBLICATIONS

Bouncepro by Bounce Pro dated Feb. 25, 2014. Found online [Dec. 21, 2016]. https://www.amazon.com/gp/product/B00F2LVL2I/ref=s9_acsd_hps_hps_bw_c_x_1_w.*

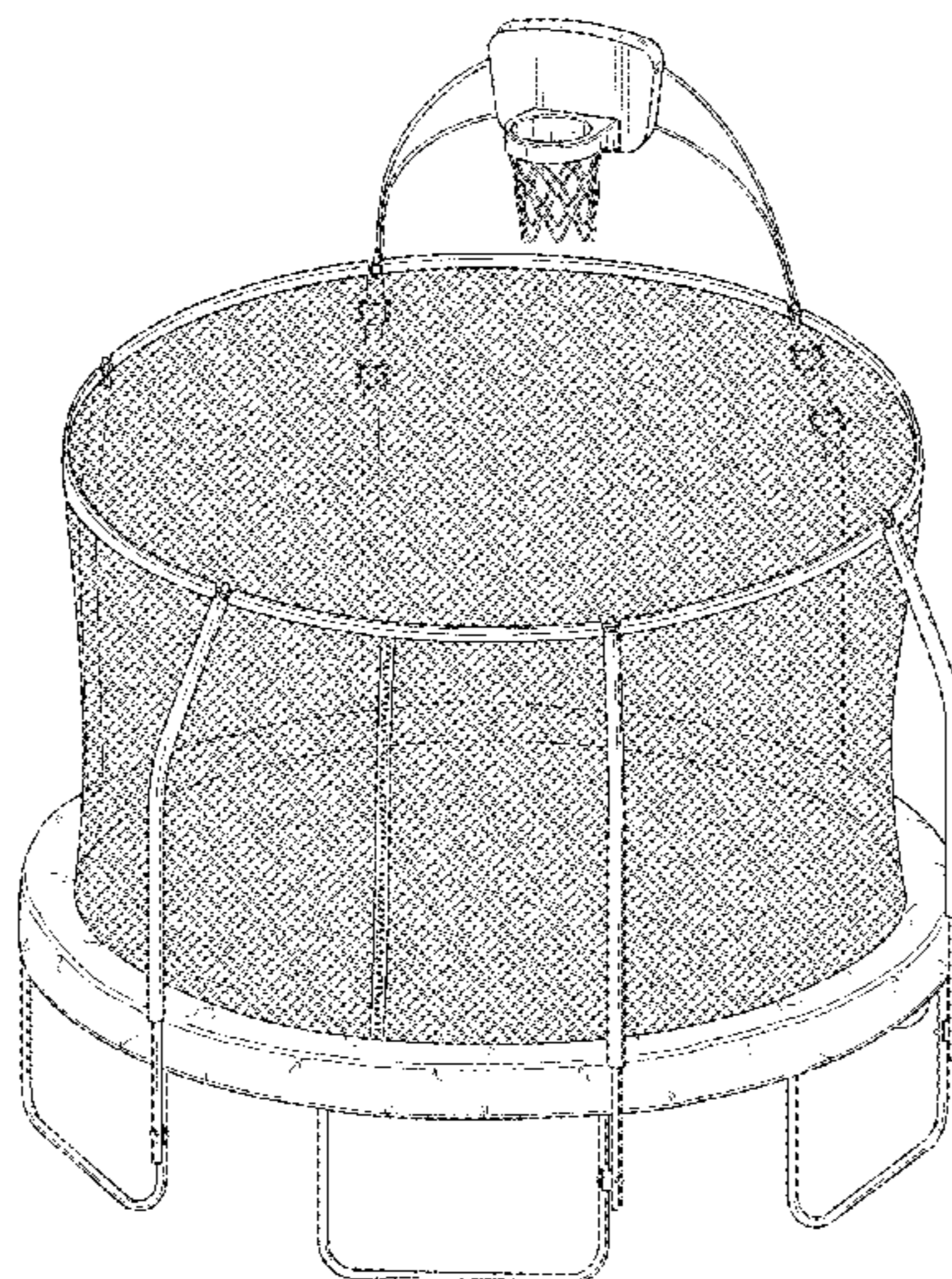
Primary Examiner — Robert M Spear
Assistant Examiner — Ryan Harvey
(74) *Attorney, Agent, or Firm* — Clement Cheng

(57) **CLAIM**
The ornamental design for a trampoline, as shown and described.

DESCRIPTION

FIG. 1 is a perspective view.
FIG. 2 is a front view.
FIG. 3 is a rear view.
FIG. 4 is a left side view.
FIG. 5 is a right side view.
FIG. 6 is a top view; and,
FIG. 7 is a bottom view.
The broken line showing of a zipper depicts environment and forms no part of the claim.

1 Claim, 7 Drawing Sheets



(56)

References Cited

U.S. PATENT DOCUMENTS

2002/0137598	A1 *	9/2002	Publicover	A63B 5/11 482/27	2013/0005537	A1 *	1/2013	Chen	A63B 5/11 482/27
2004/0121883	A1 *	6/2004	Publicover	A63B 5/11 482/29	2013/0072269	A1 *	3/2013	Chen	A63B 5/11 463/7
2005/0079954	A1 *	4/2005	Wang	A63B 5/11 482/27	2013/0109539	A1 *	5/2013	Chen	A63B 5/11 482/27
2006/0189442	A1 *	8/2006	Publicover	A63B 5/11 482/27	2014/0038678	A1 *	2/2014	Chen	A63B 69/0053 463/7
2007/0004559	A1 *	1/2007	Alexander	A63B 5/11 482/27	2014/0221162	A1 *	8/2014	Chen	A63B 43/005 482/27
2007/0004560	A1 *	1/2007	Nelson	A63B 5/11 482/29	2014/0228176	A1 *	8/2014	Miller	A63B 5/11 482/27
2008/0314427	A1 *	12/2008	Lai	A63H 33/008 135/96	2014/0336005	A1 *	11/2014	Miller	A63B 5/11 482/27
2012/0077642	A1 *	3/2012	Chen	A63B 5/11 482/27	2015/0051049	A1 *	2/2015	Andon	A63B 5/11 482/29
2012/0289379	A1 *	11/2012	Stokes	A63B 5/11 482/27	2015/0157889	A1 *	6/2015	Miller	A63B 5/11 482/27
					2016/0136473	A1 *	5/2016	Chen	A63B 5/11 482/29

* cited by examiner

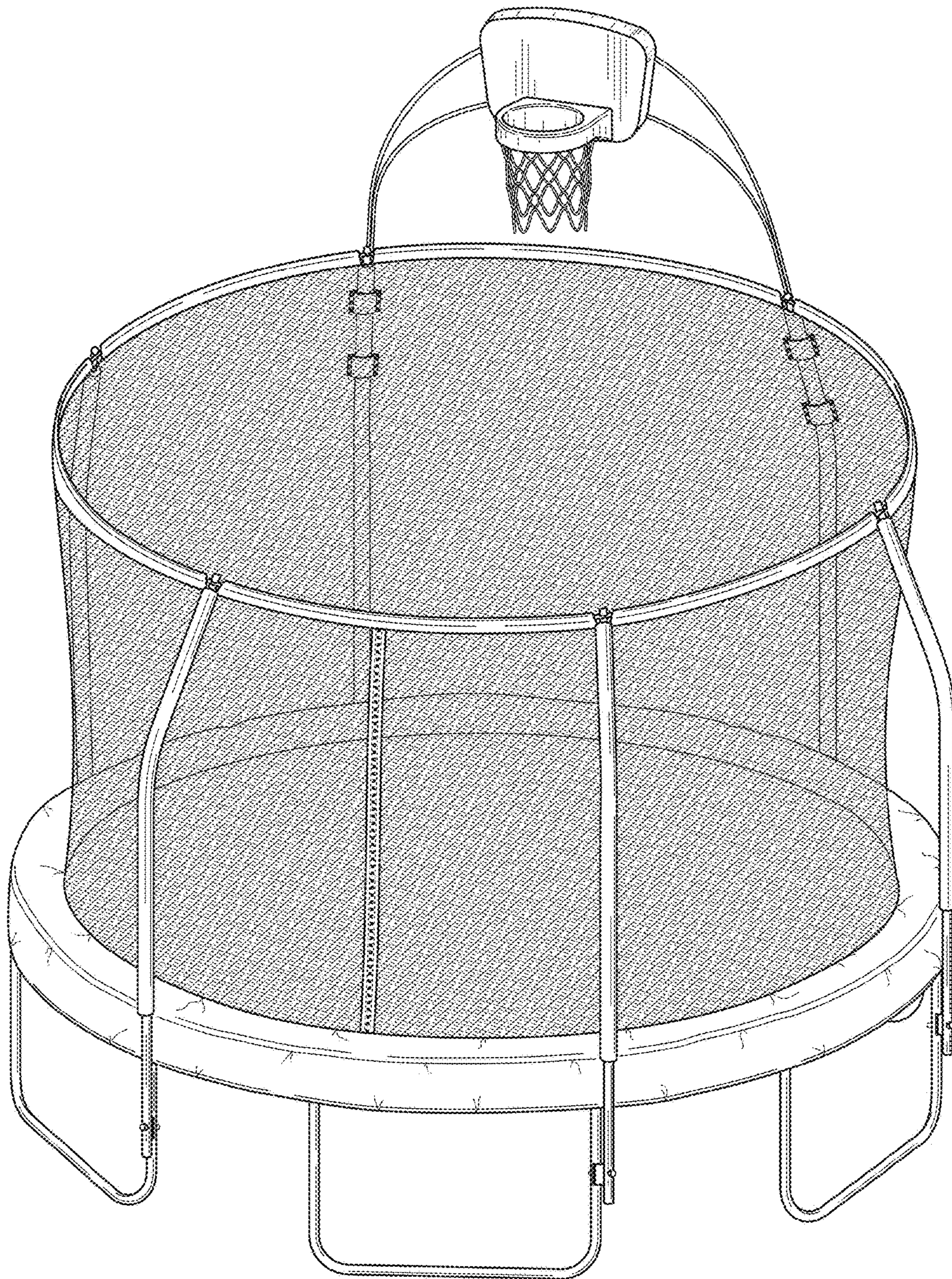


FIG. 1

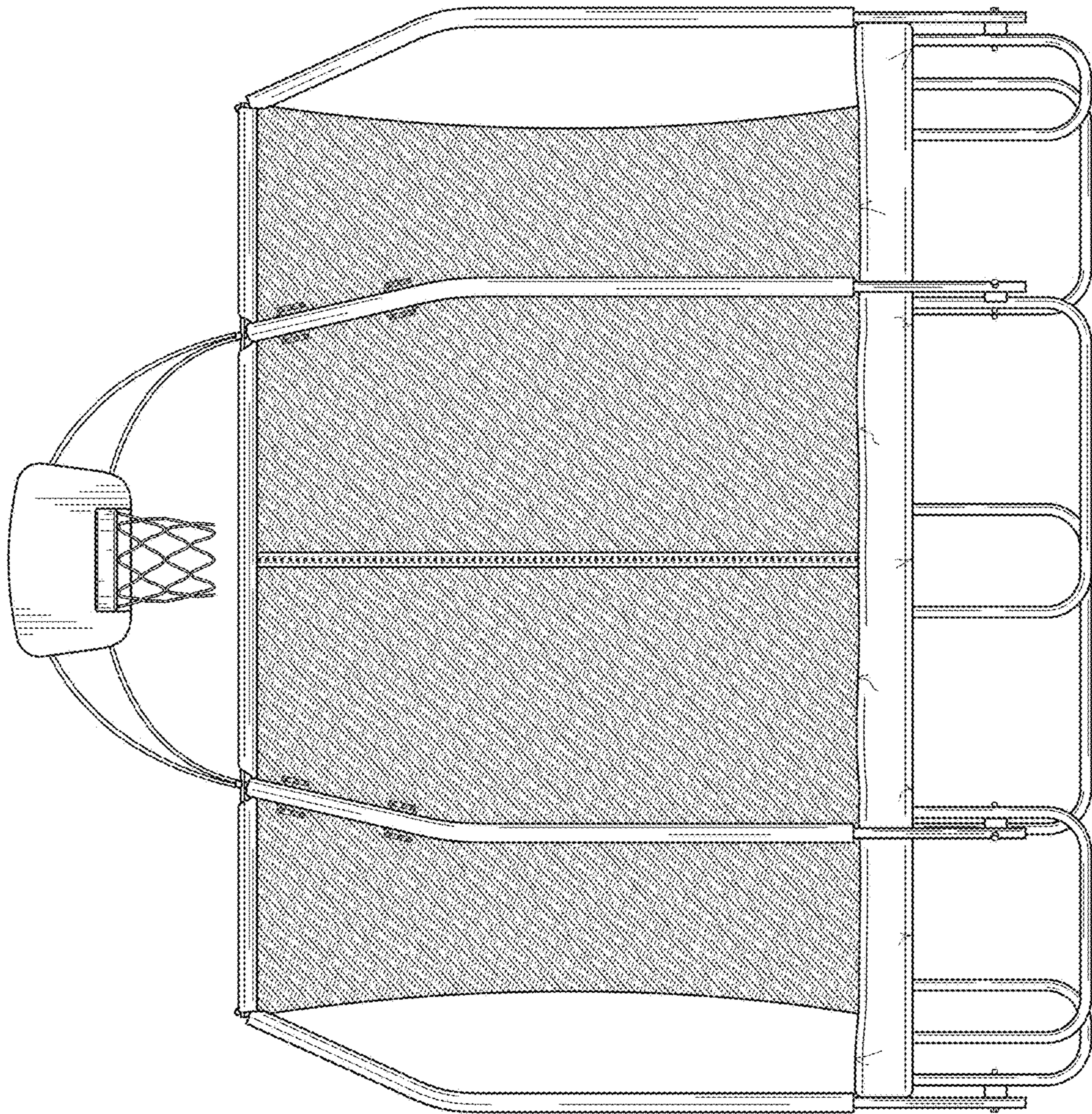


FIG. 2

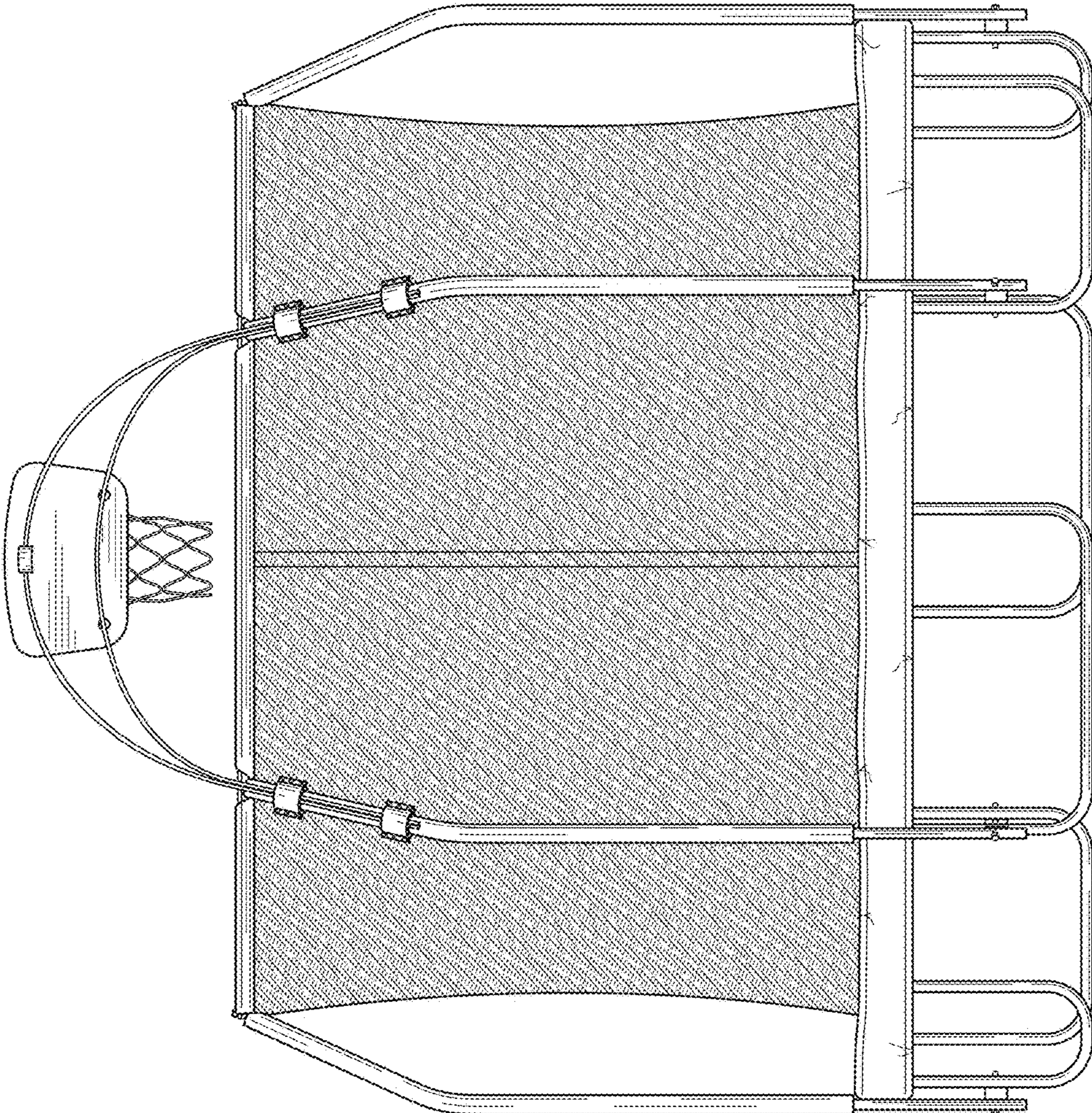


FIG. 3

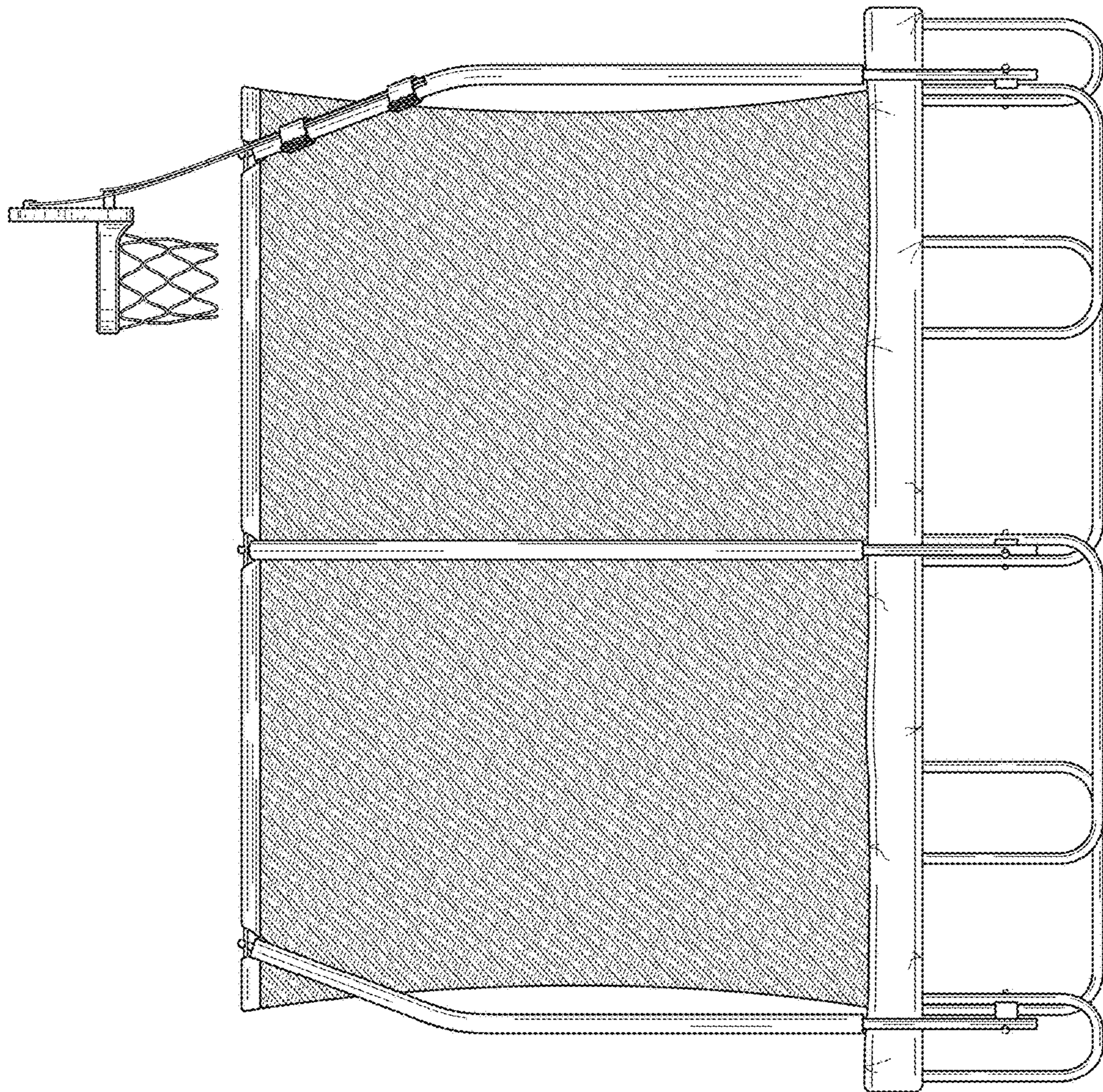


FIG. 4

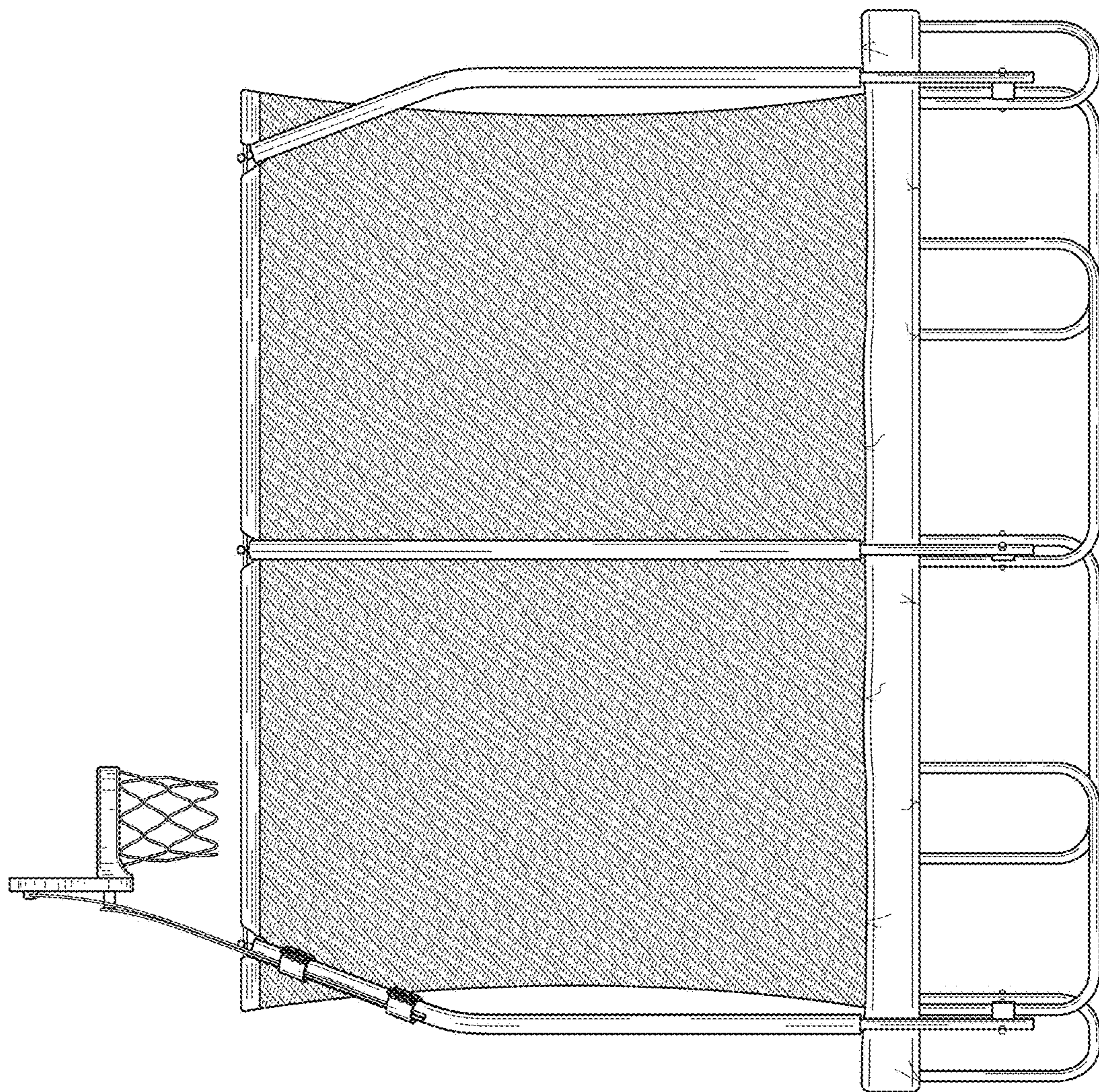


FIG. 5

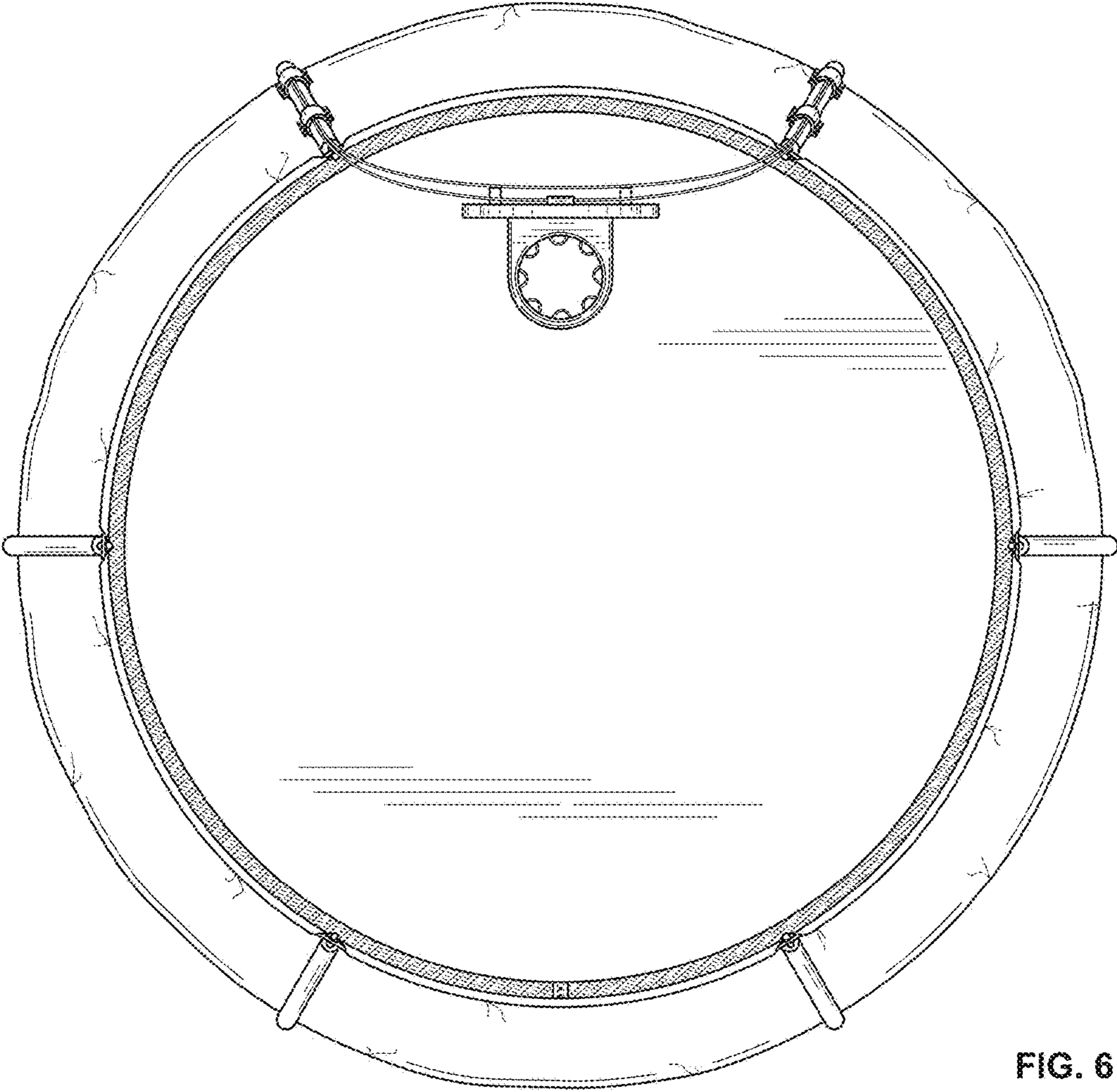


FIG. 6

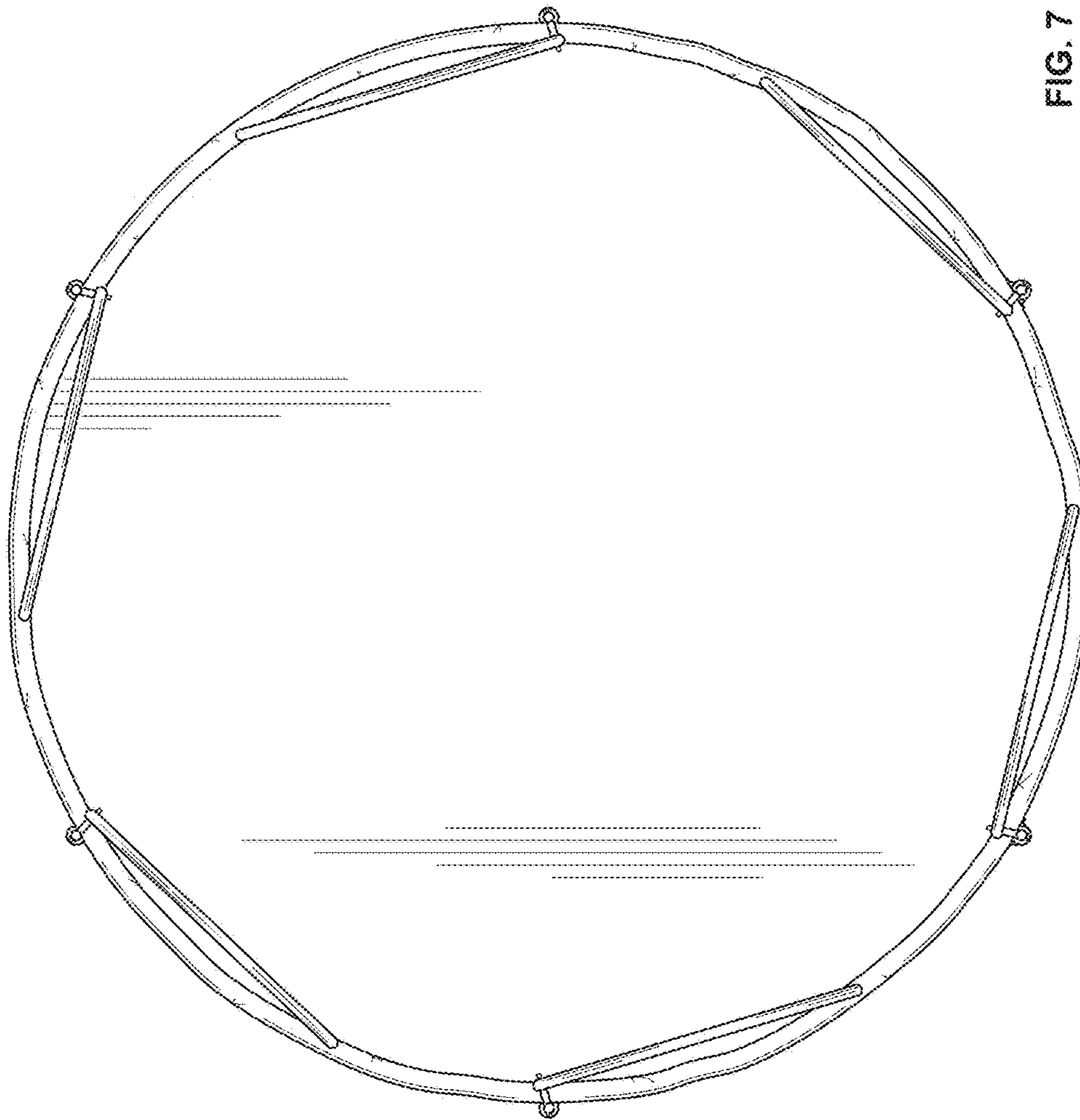


FIG. 7